

[54] EXERCISER

[76] Inventor: Walter J. Jinotti, 10 Scott St., New Brunswick, N.J. 08903

[**] Term: 14 Years

[21] Appl. No.: 797,447

[22] Filed: May 16, 1977

[51] Int. Cl. D2-02

[52] U.S. Cl. D21/194

[58] Field of Search D34/5 K; 272/93, 96, 272/109, 64, 65, 66, 116, 117, 125, 126, 135, 136, 140, 144

[56] References Cited

U.S. PATENT DOCUMENTS

D. 208,787 10/1967 Bennstrom-Prescott D34/5 K

2,024,028 12/1935 Dahlberg et al. 272/66
3,297,320 1/1967 Benedetto 272/93

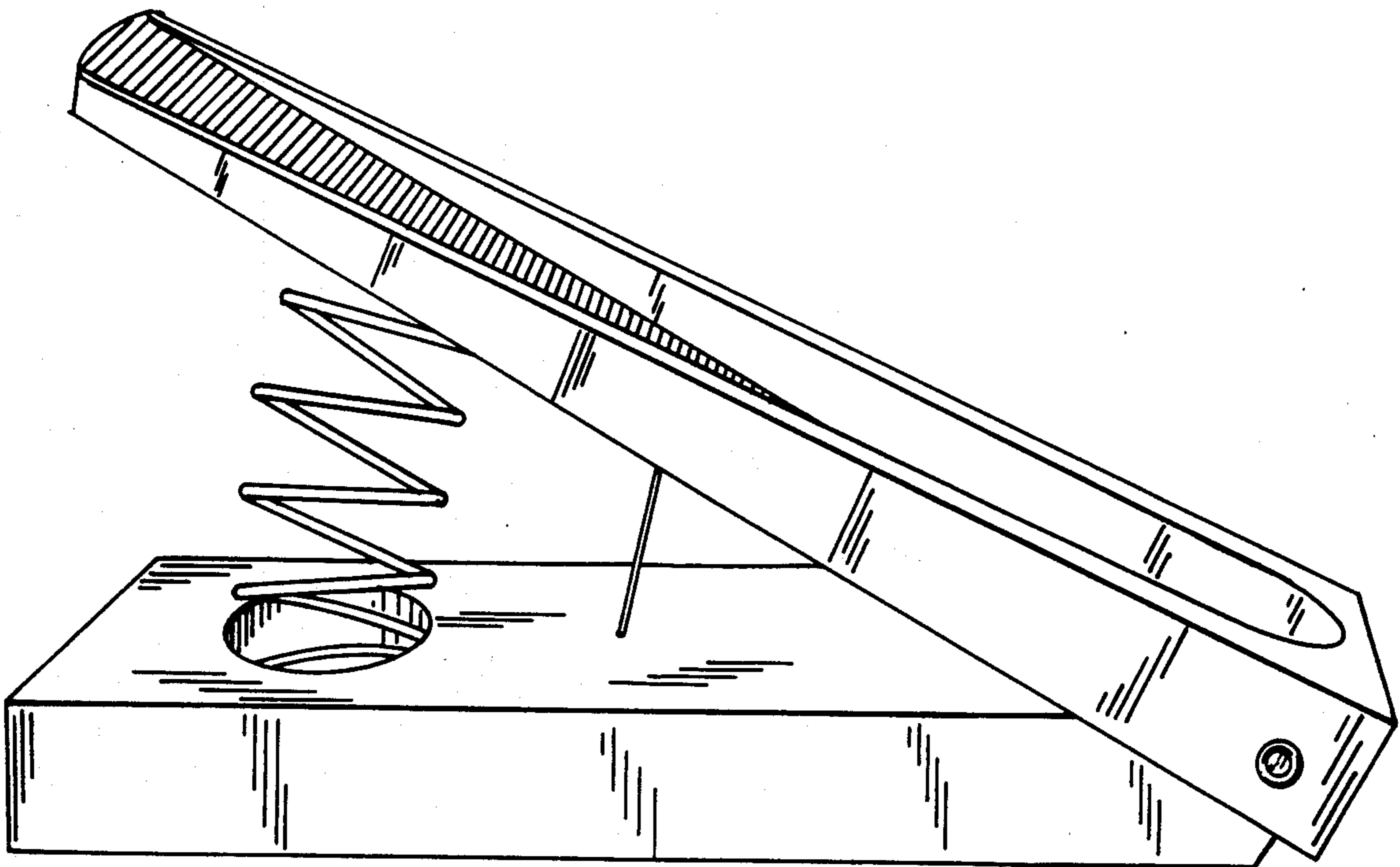
Primary Examiner—Joel Stearman
Assistant Examiner—C. A. Rademaker
Attorney, Agent, or Firm—Robert A. Green

[57] CLAIM

The ornamental design for an exerciser, substantially as shown and described.

DESCRIPTION

FIG. 1 is a side perspective view of an exerciser showing my new design;
FIG. 2 is a top plan view thereof;
FIG. 3 is a bottom plan view thereof;
FIG. 4 is a front elevational view thereof;
FIG. 5 is a rear elevational view thereof;
FIG. 6 is a left side elevational view thereof; and,
FIG. 7 is a right side elevational view thereof.



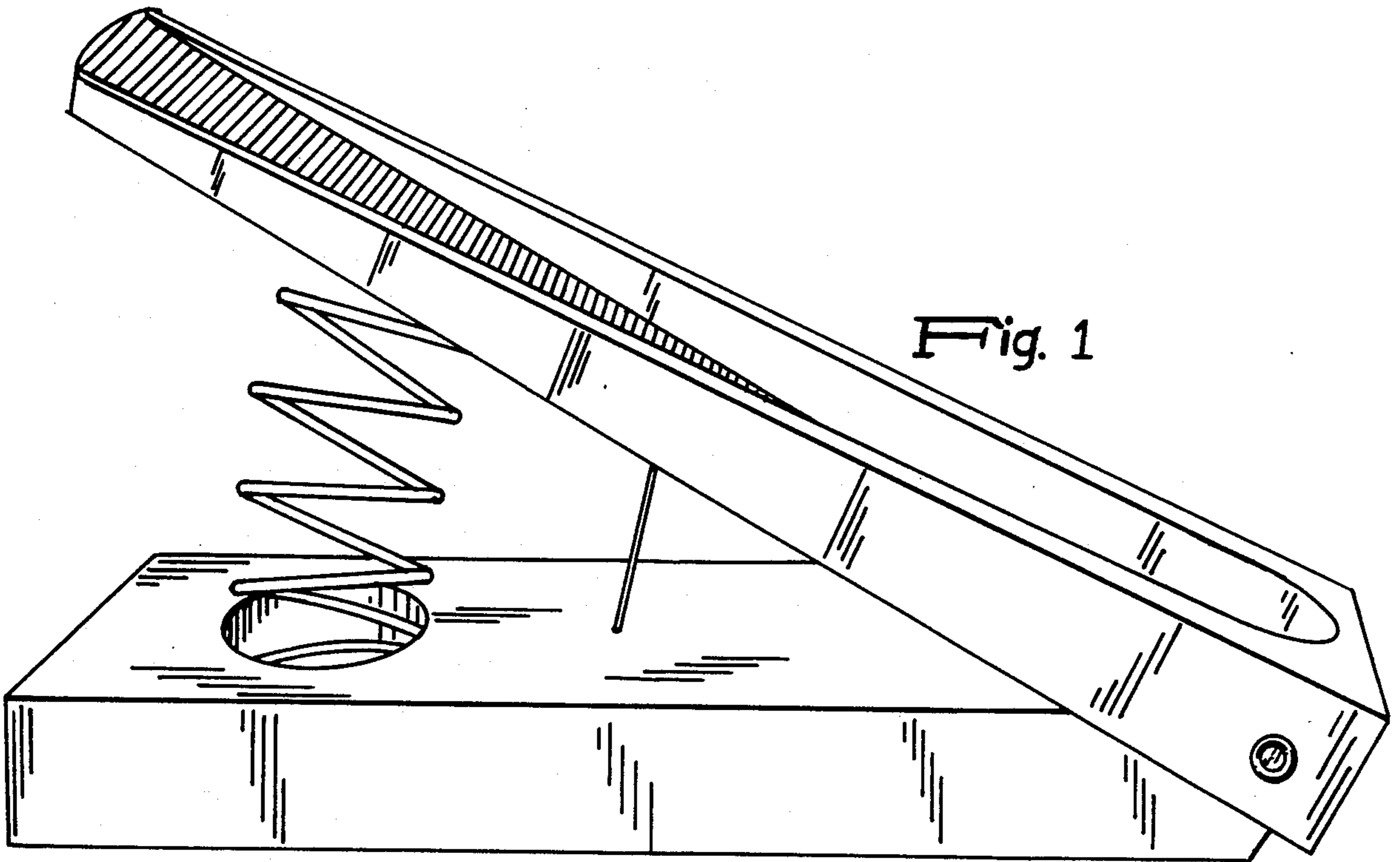


Fig. 1

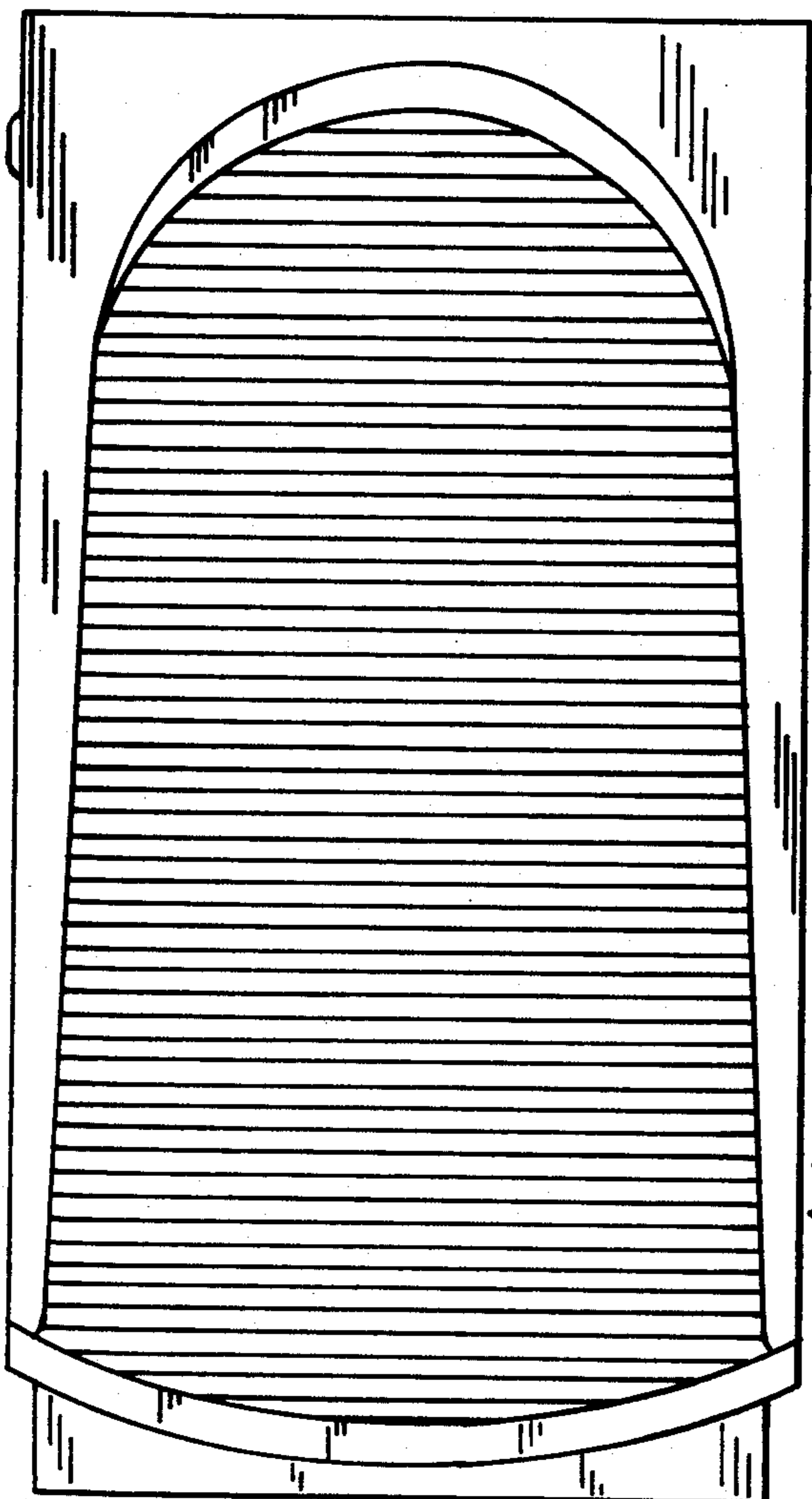


Fig 2

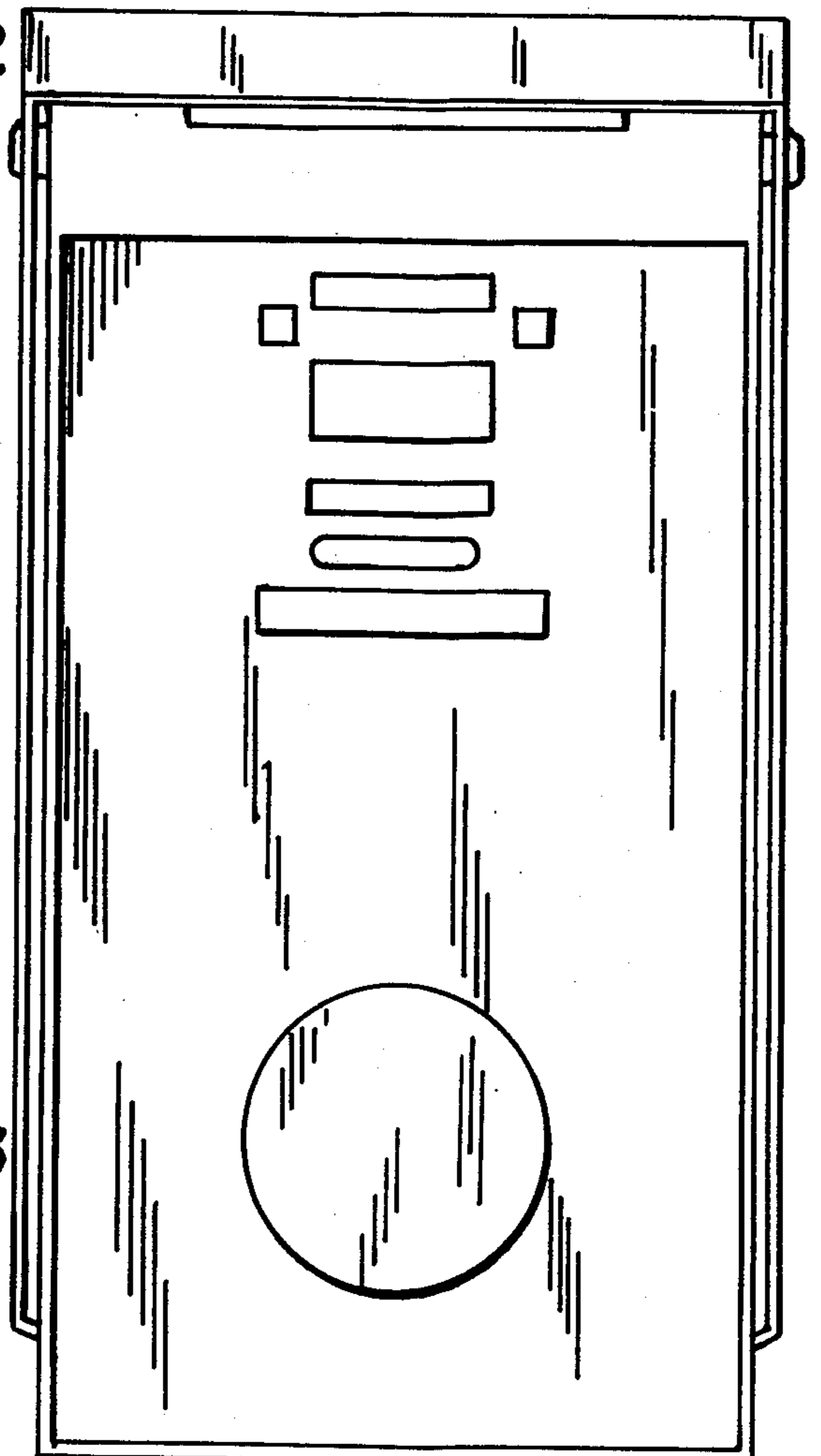


Fig 3

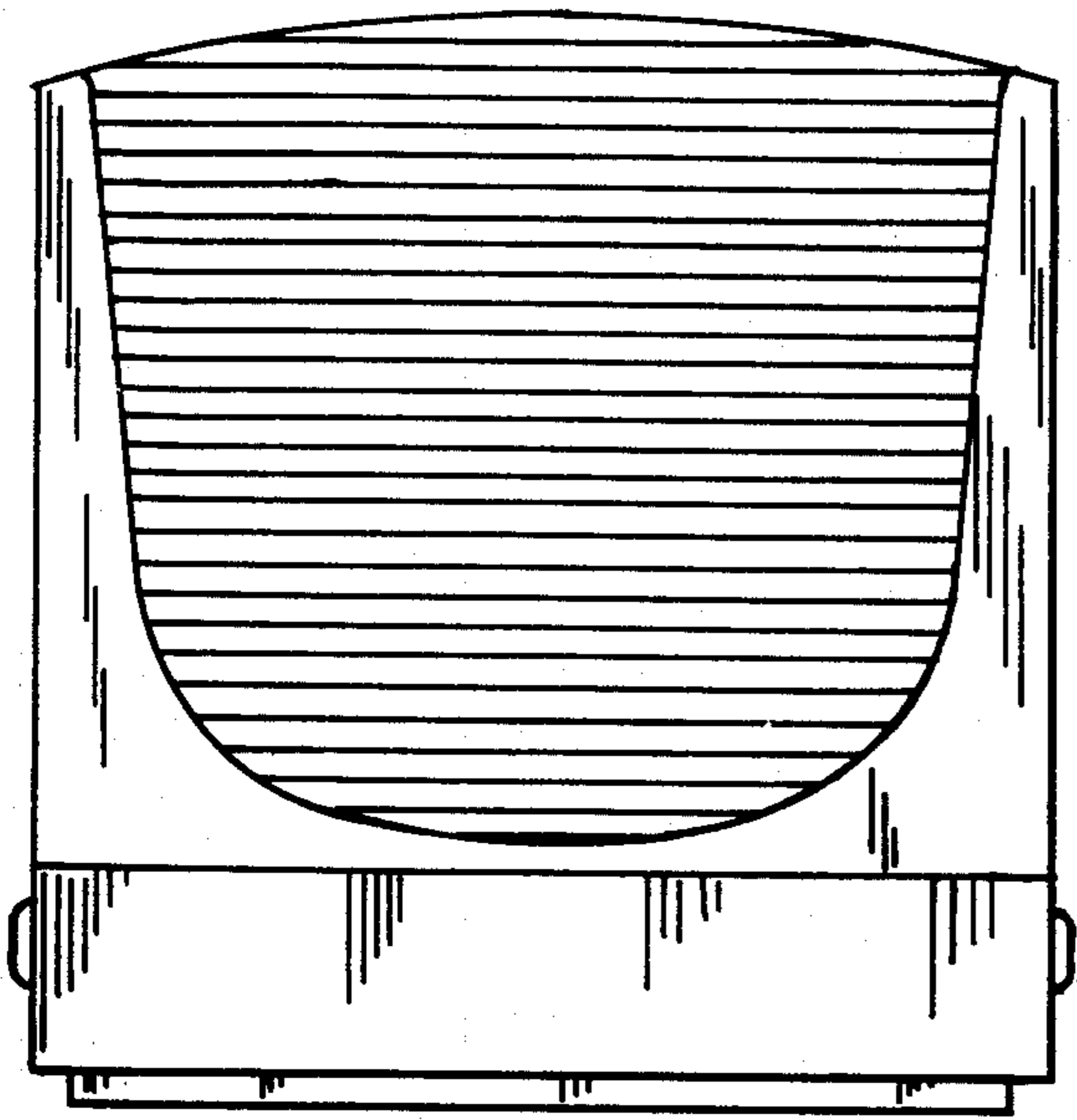


Fig. 4

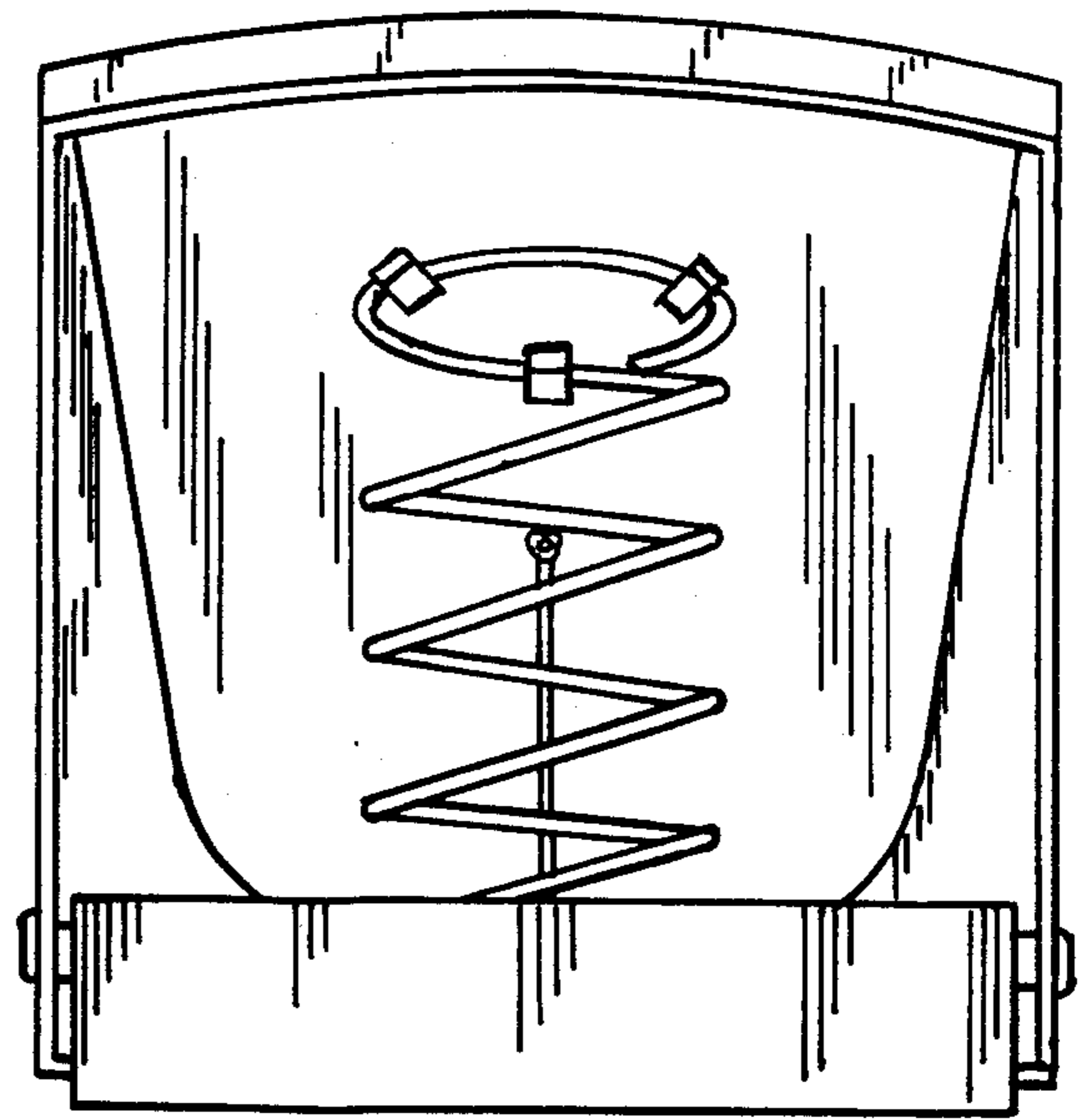


Fig. 5

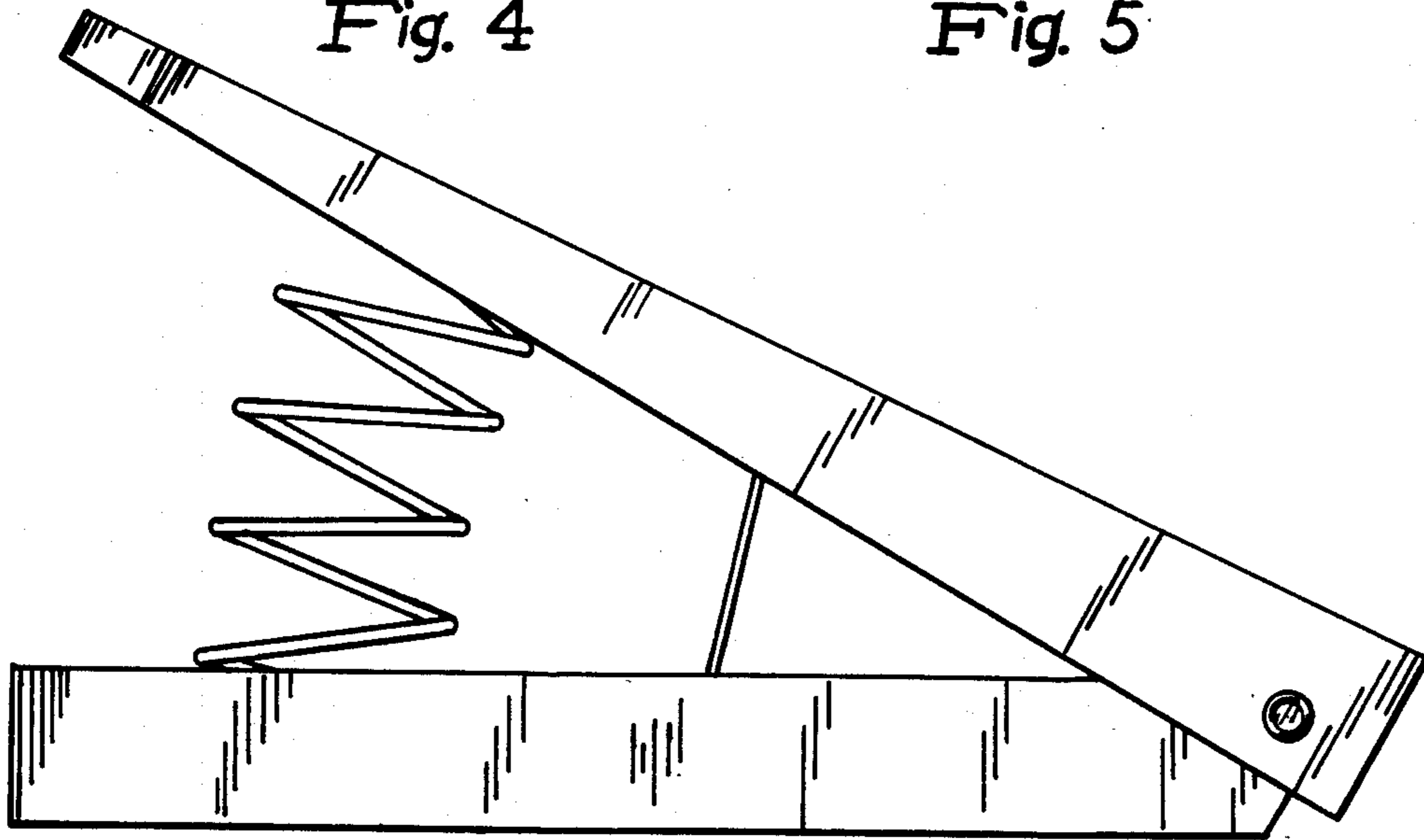


Fig. 6

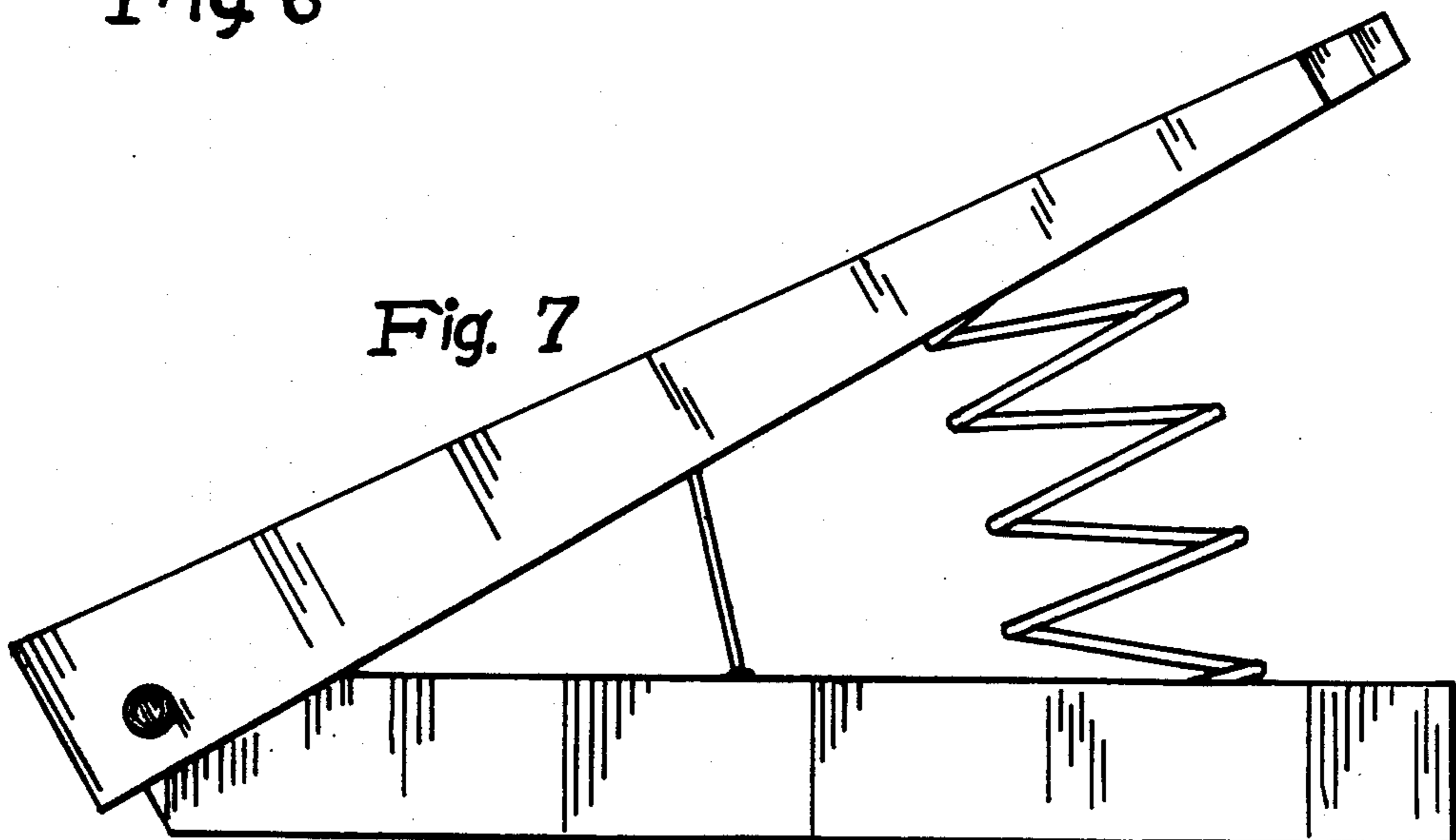


Fig. 7