

[54] **CUE BRIDGE**

[76] **Inventor:** King B. Drake, 40489 Carmelita Cir.,
Temecula, Calif. 92390

[**] **Term:** 14 Years

[21] **Appl. No.:** 808,870

[22] **Filed:** Jun. 22, 1977

[51] **Int. Cl.** D21-01

[52] **U.S. Cl.** D21/232

[58] **Field of Search** D34/3, 5 BL; 273/23

[56]

References Cited

U.S. PATENT DOCUMENTS

2,817,525 12/1957 Niemann 273/23
3,576,324 4/1971 Lareau 273/23

Primary Examiner—Melvin B. Feifer
Attorney, Agent, or Firm—Allan M. Shapiro

[57]

CLAIM

The ornamental design for cue bridge, substantially as shown.

DESCRIPTION

FIG. 1 is a perspective rear view of a cue bridge, showing my new design;
FIG. 2 is a front elevational view thereof;
FIG. 3 is a rear elevational view thereof; and
FIG. 4 is a side elevational view thereof as seen from the left of FIG. 2.

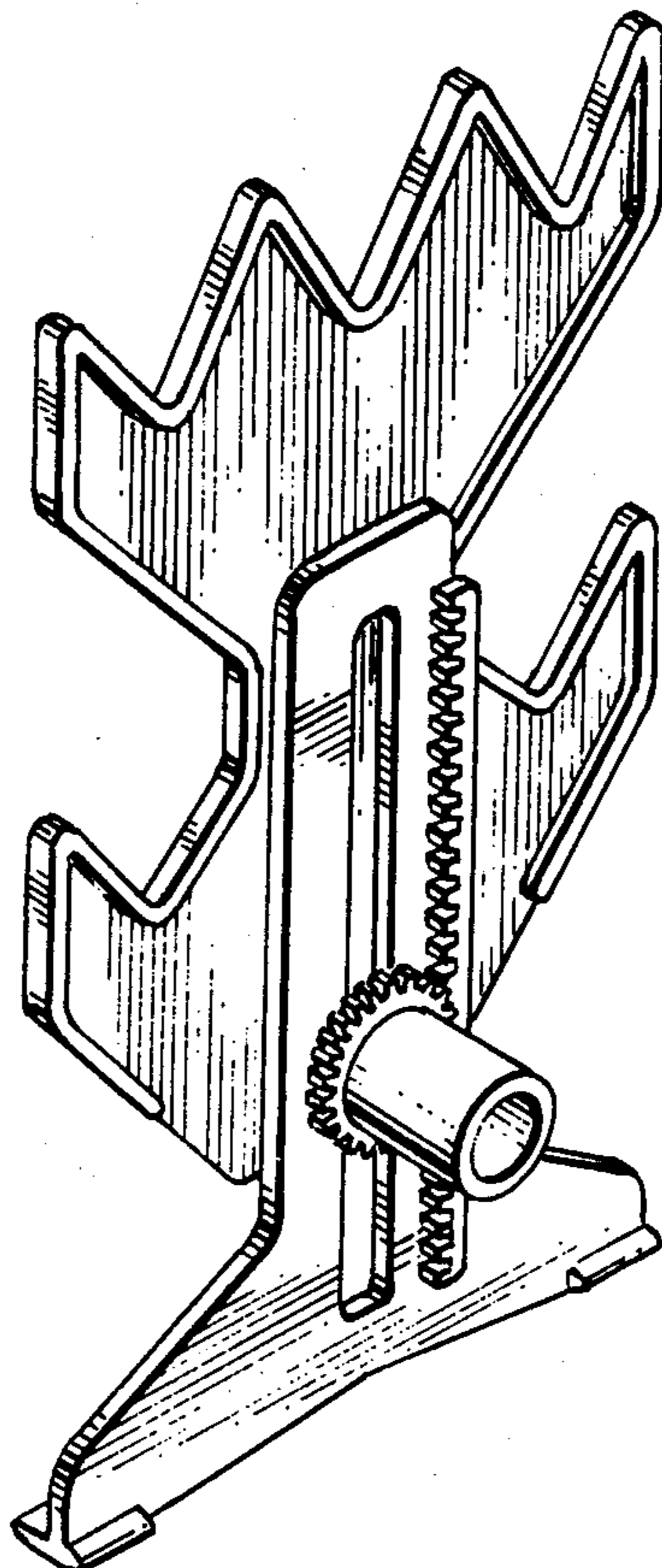


FIG. 1

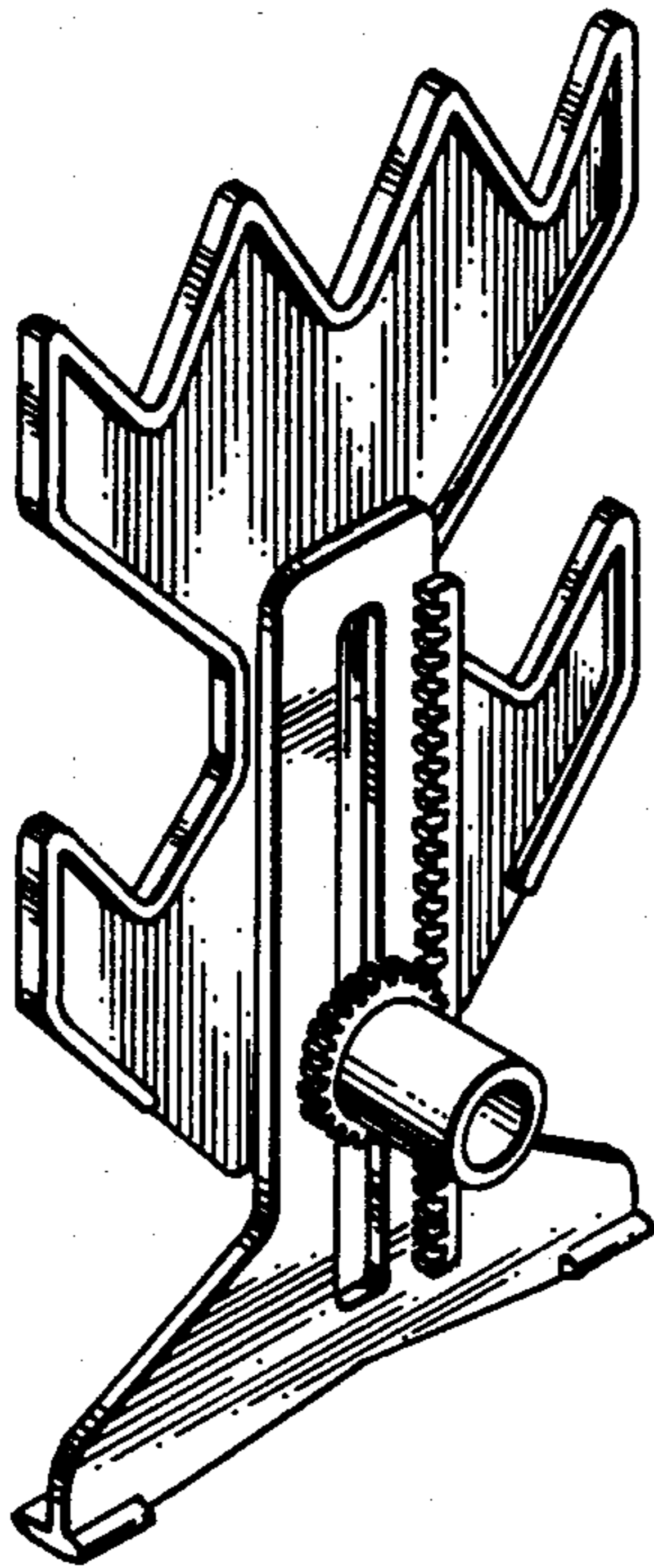


FIG. 2

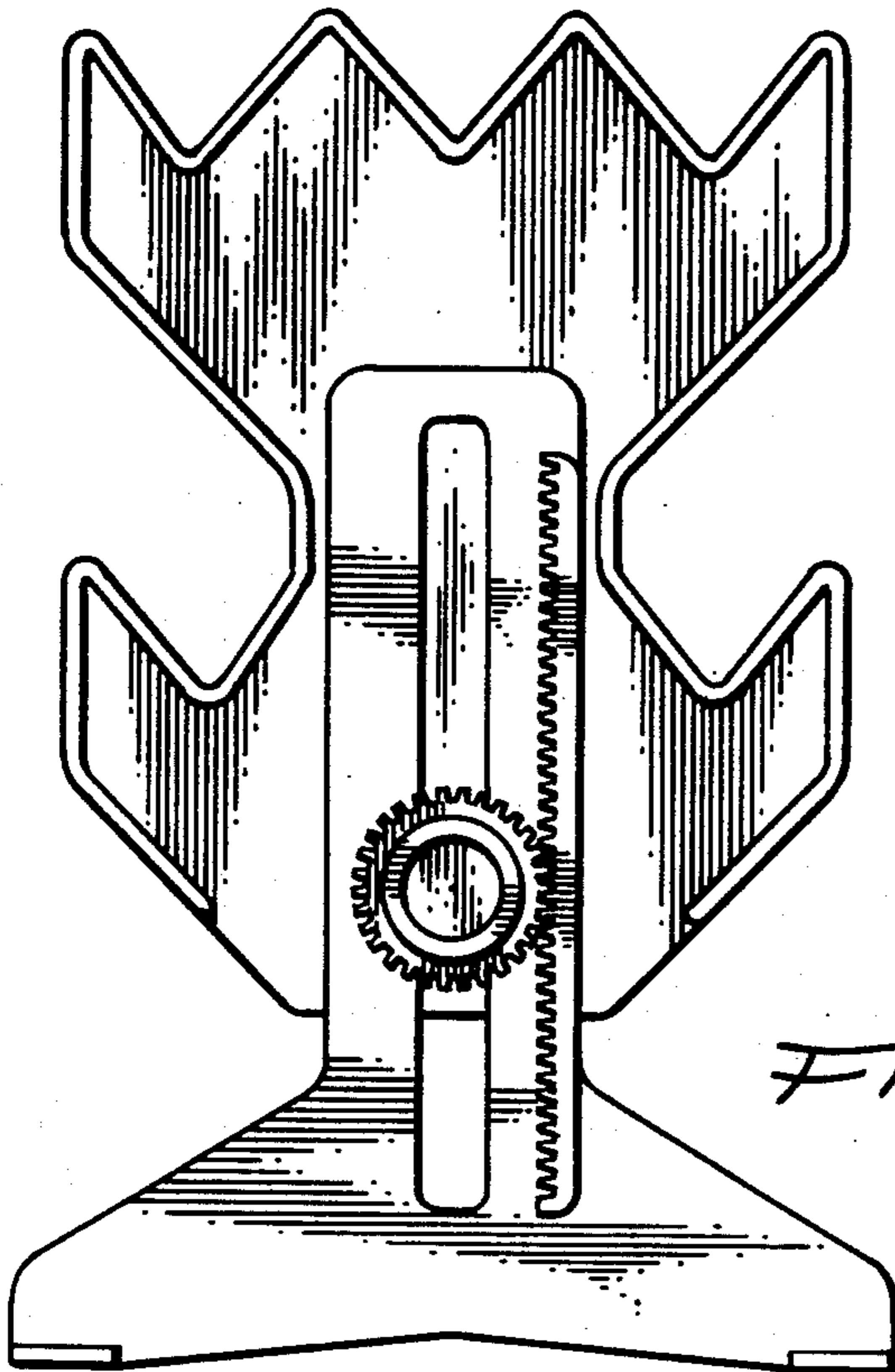
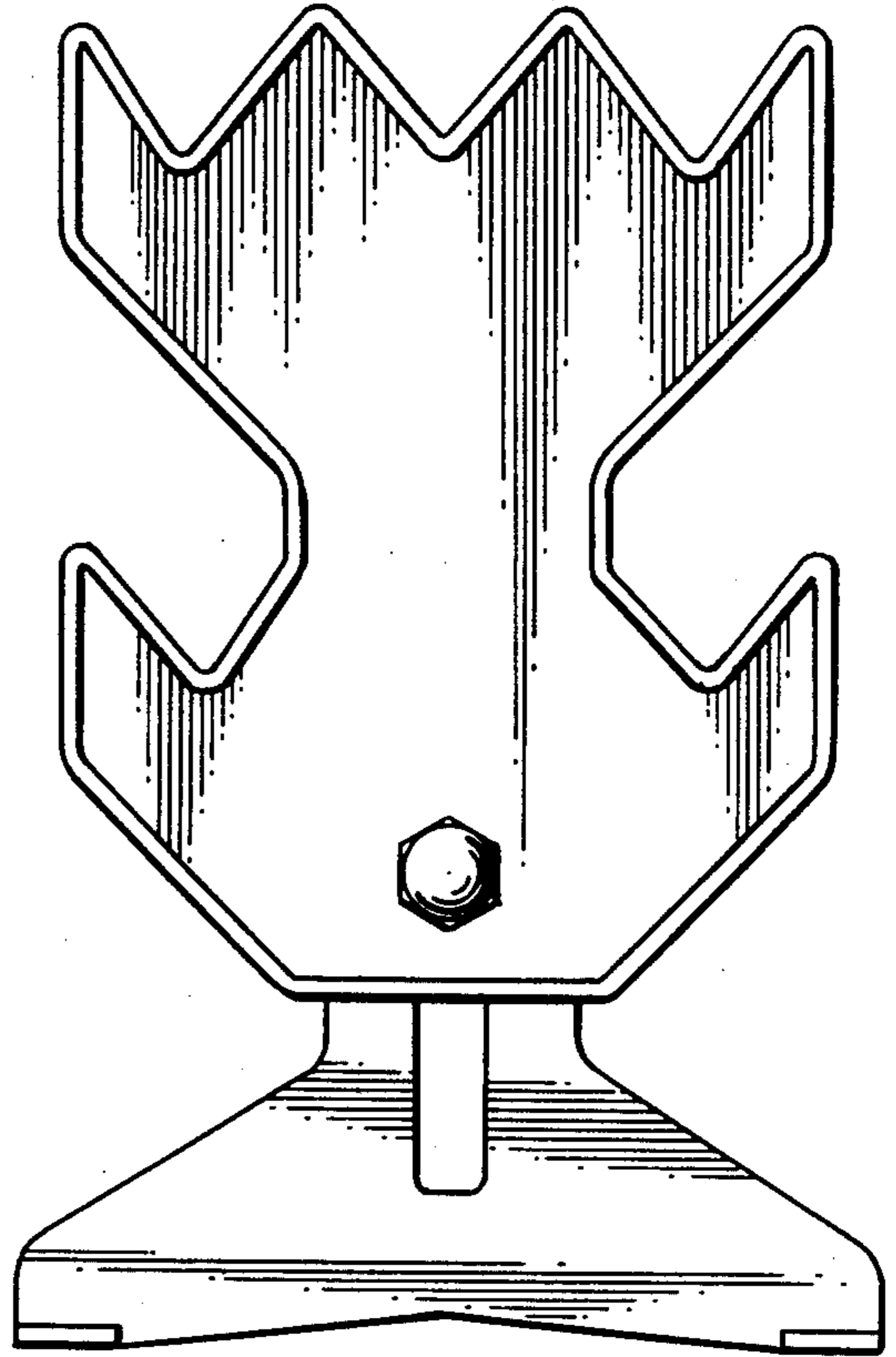


FIG. 3

FIG. 4

