

[54] CONNECTOR
[75] Inventor: Raymond L. Trueblood, New Carlisle, Ohio
[73] Assignee: Trueblood, Inc., Tipp City, Ohio
[**] Term: 14 Years
[21] Appl. No.: 784,055
[22] Filed: Apr. 4, 1977
[51] Int. Cl. D13-03
[52] U.S. Cl. D13/29
[58] Field of Search D13/12, 24, 27, 28, D13/29, 30; 339/14 P, 156 R, 157 R, 159 R, 166 R

[56] References Cited
U.S. PATENT DOCUMENTS
D. 80,102 12/1929 Muldoon D13/29

D. 194,105 11/1962 More D13/29
Primary Examiner—Susan J. Lucas
Attorney, Agent, or Firm—Jerome P. Bloom

[57] CLAIM
The ornamental design for connector, substantially as shown and described.

DESCRIPTION

FIG. 1 is a bottom perspective view of the connector showing my new design;
FIG. 2 is a side view of the connector;
FIG. 3 is a bottom view of the connector;
FIG. 4 is a top view of the connector;
FIG. 5 is a view of the side of the connector opposite that shown in FIG. 2;
FIG. 6 is a view of my connector taken at the plug end thereof; and
FIG. 7 is a view of the end of my connector opposite that shown in FIG. 6.

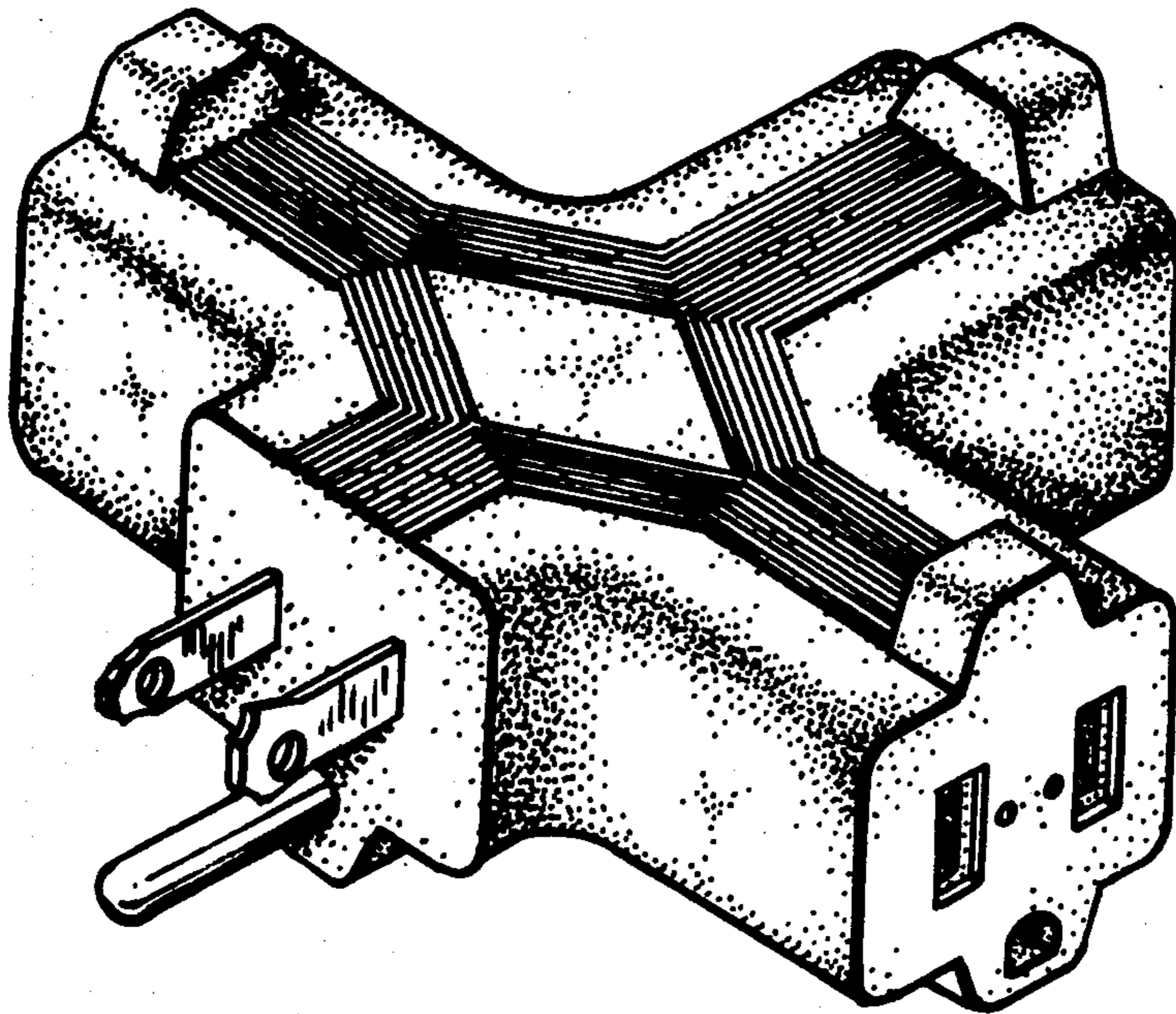


FIG-1

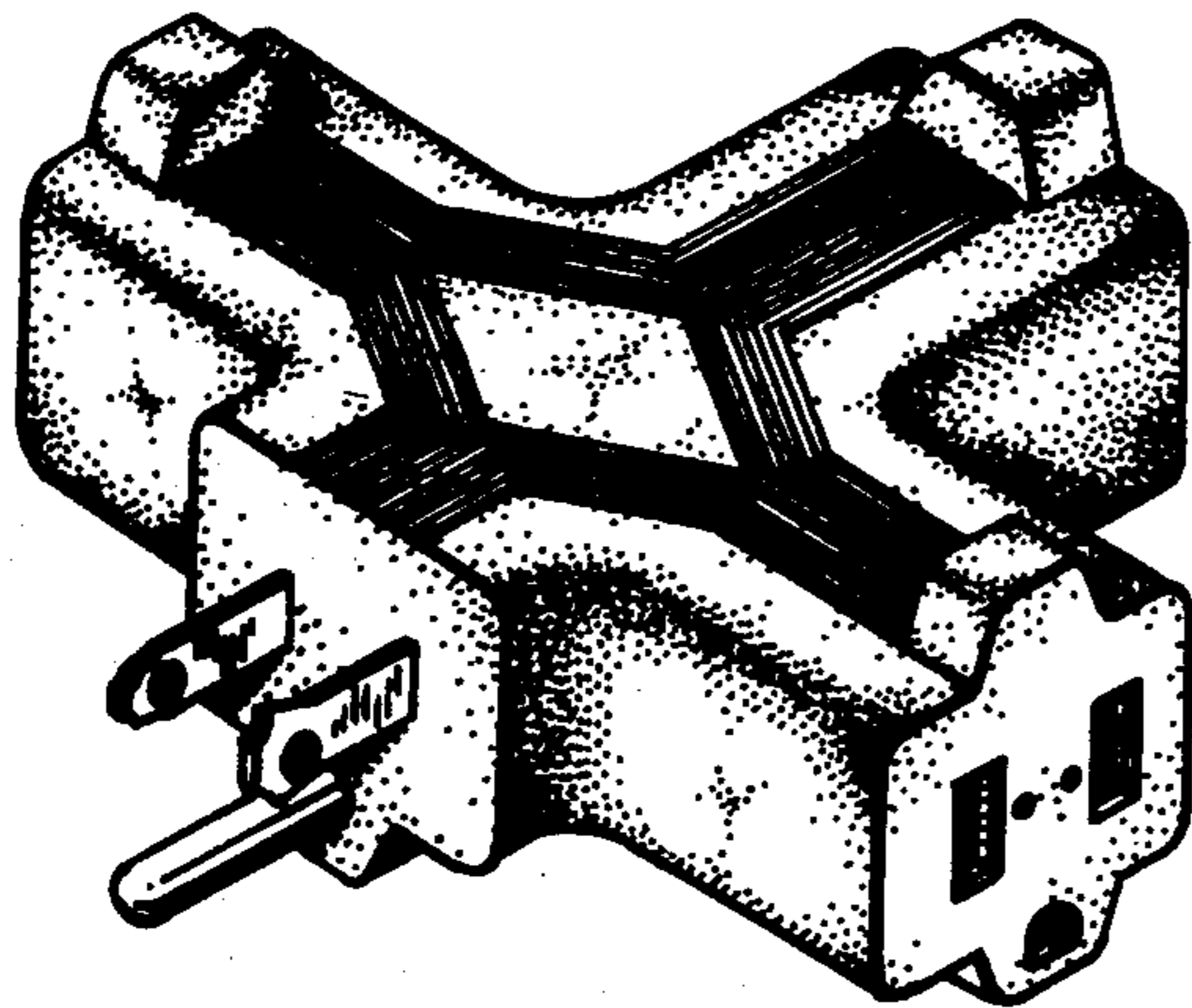


FIG-2

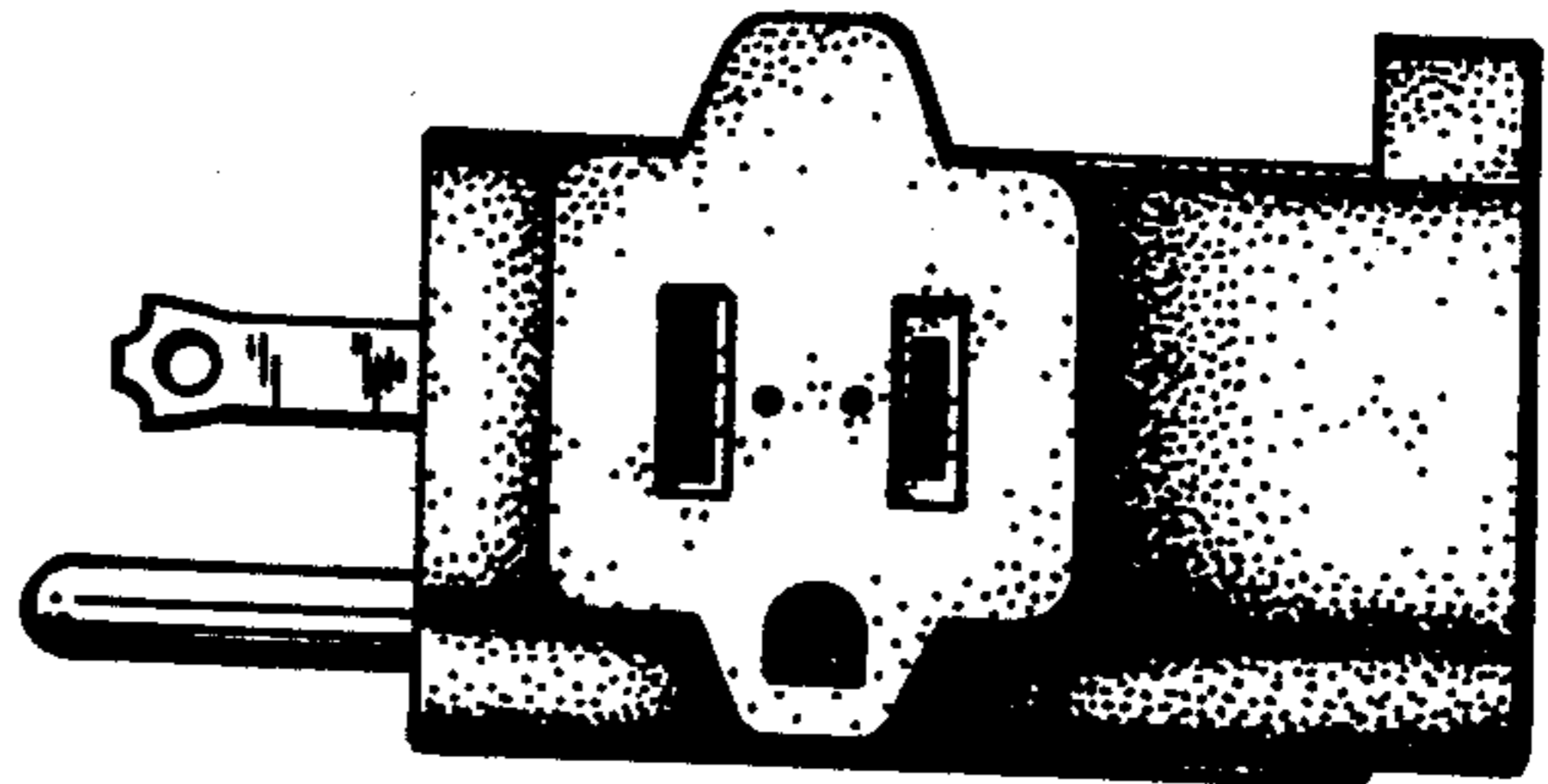


FIG-3

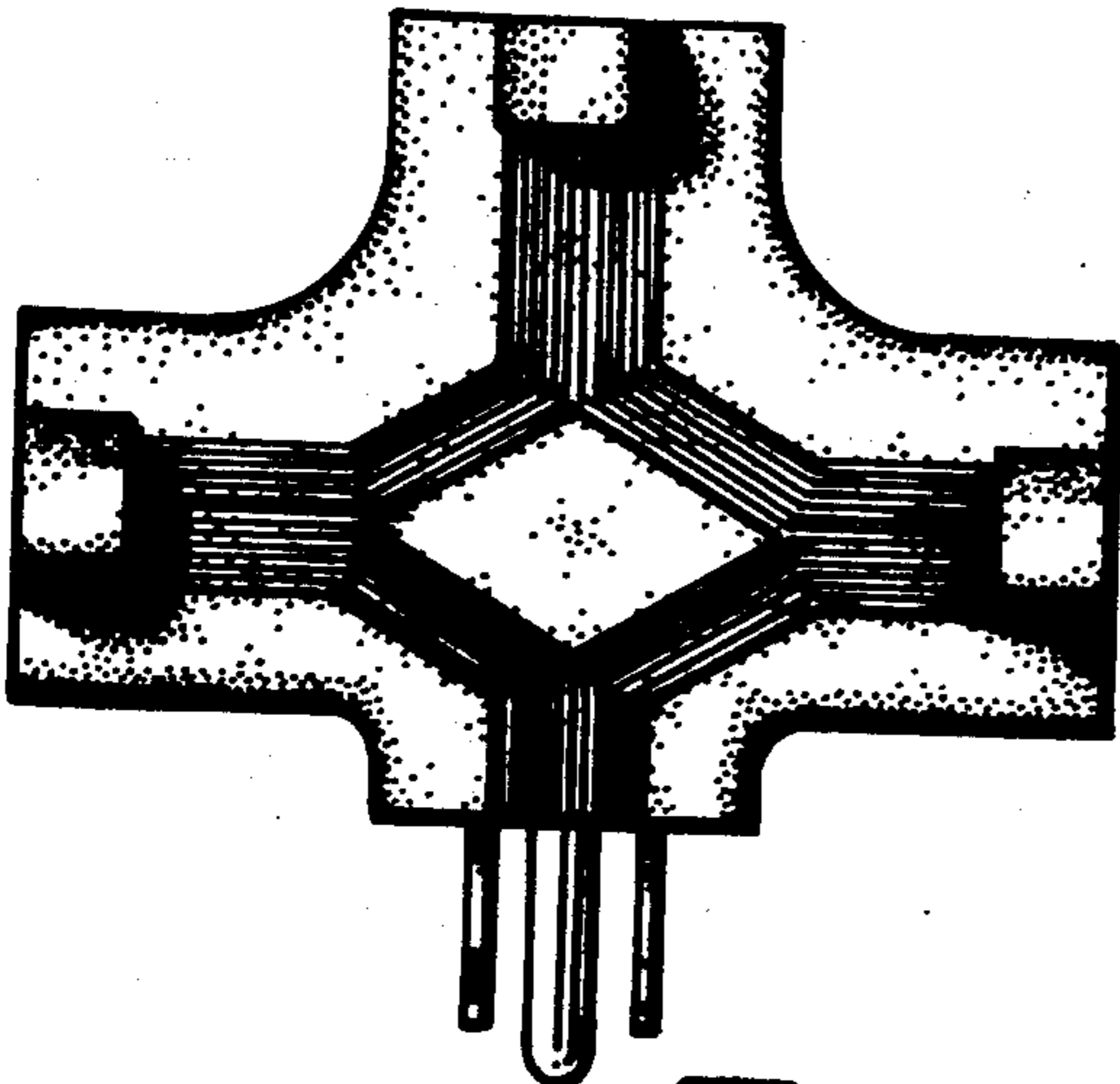


FIG-4

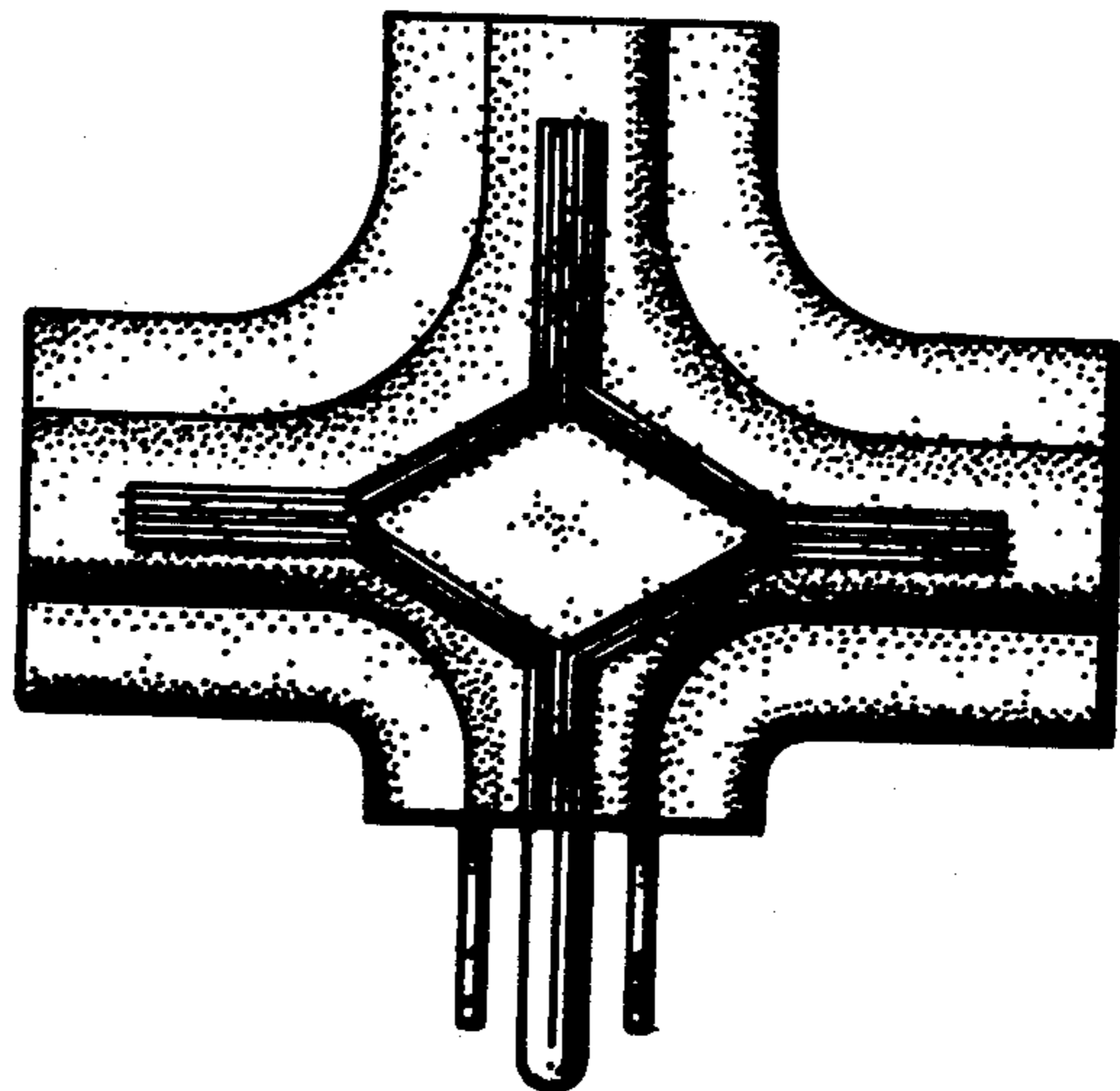


FIG-5

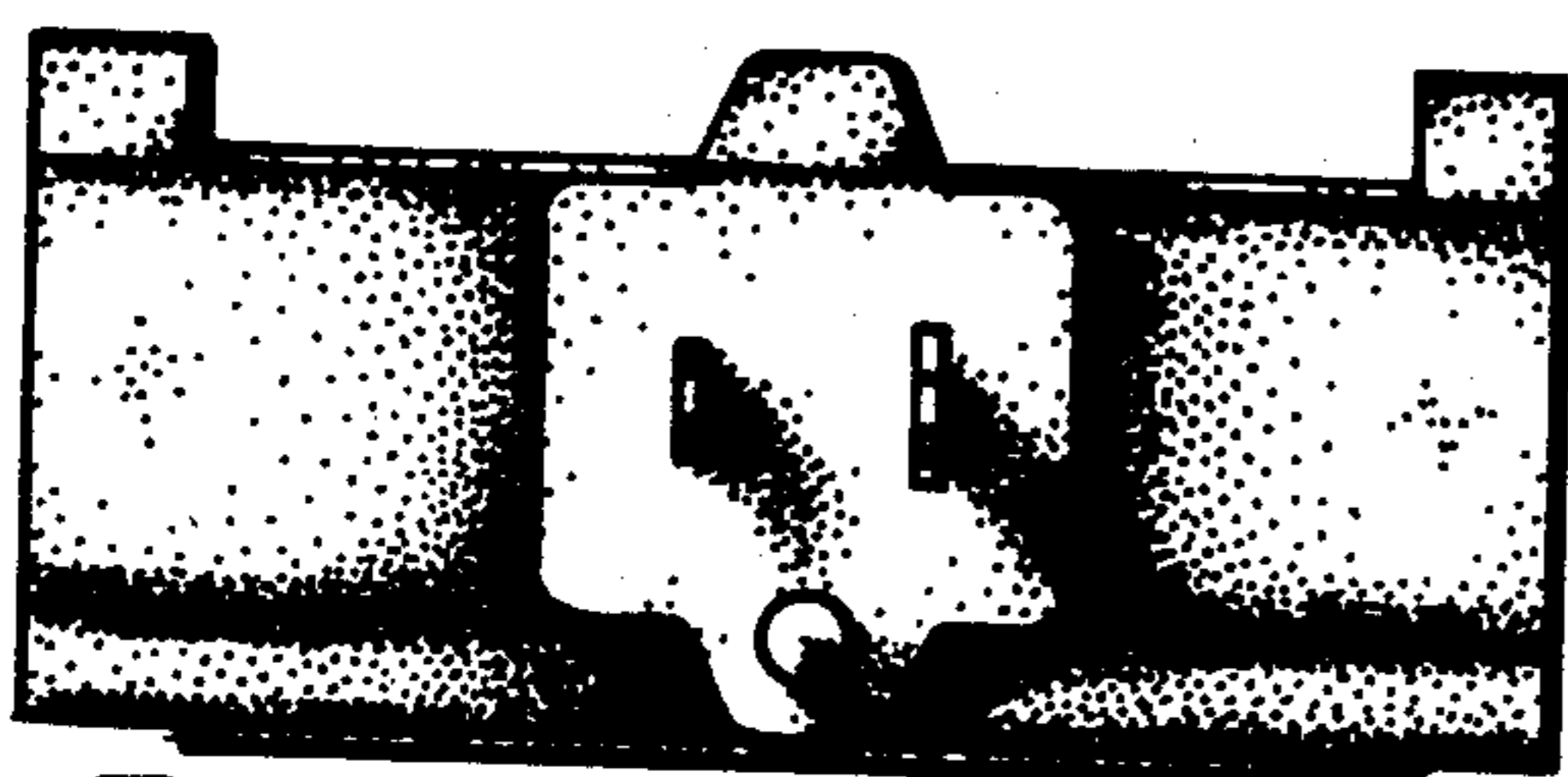
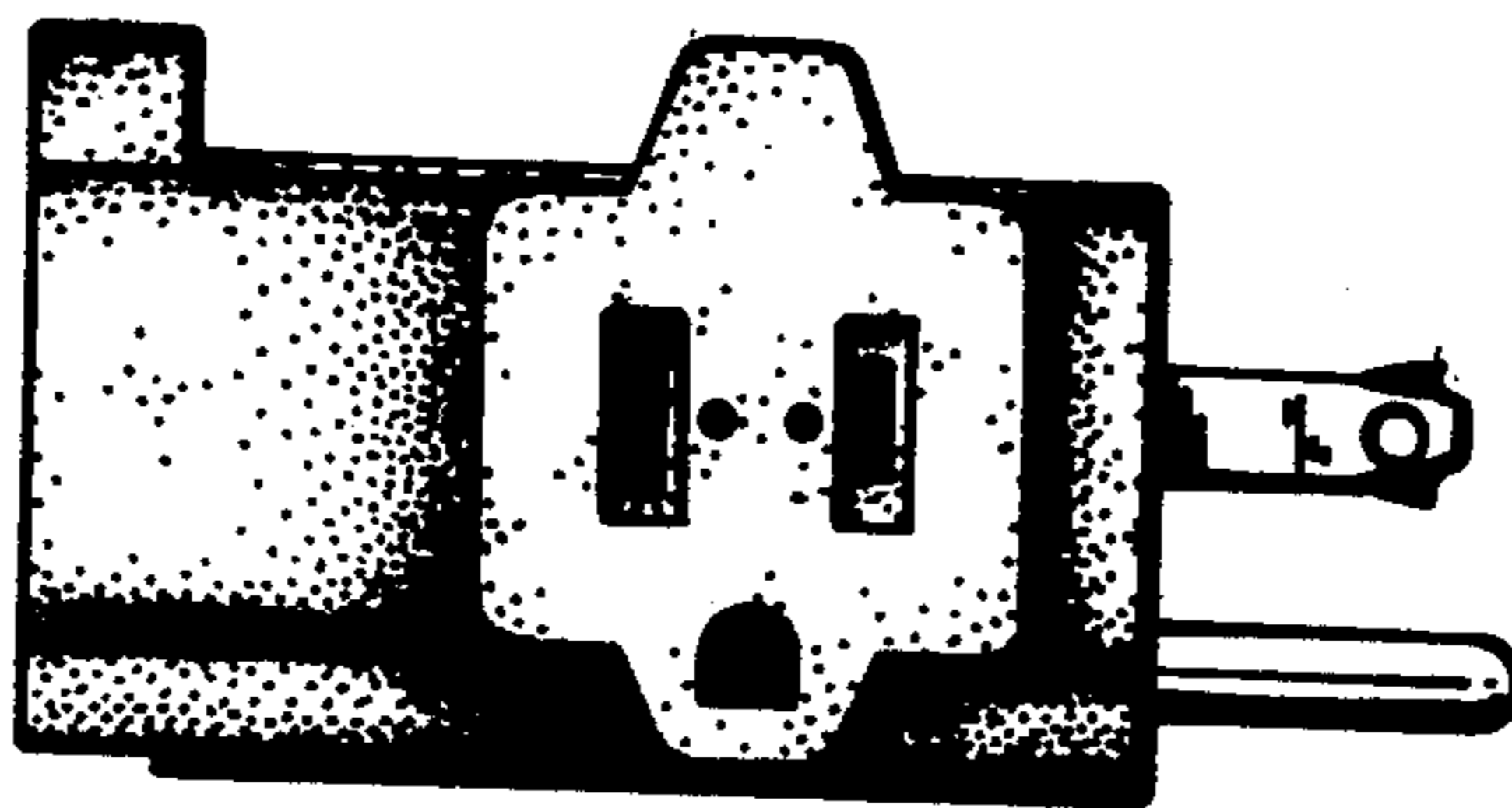


FIG-6

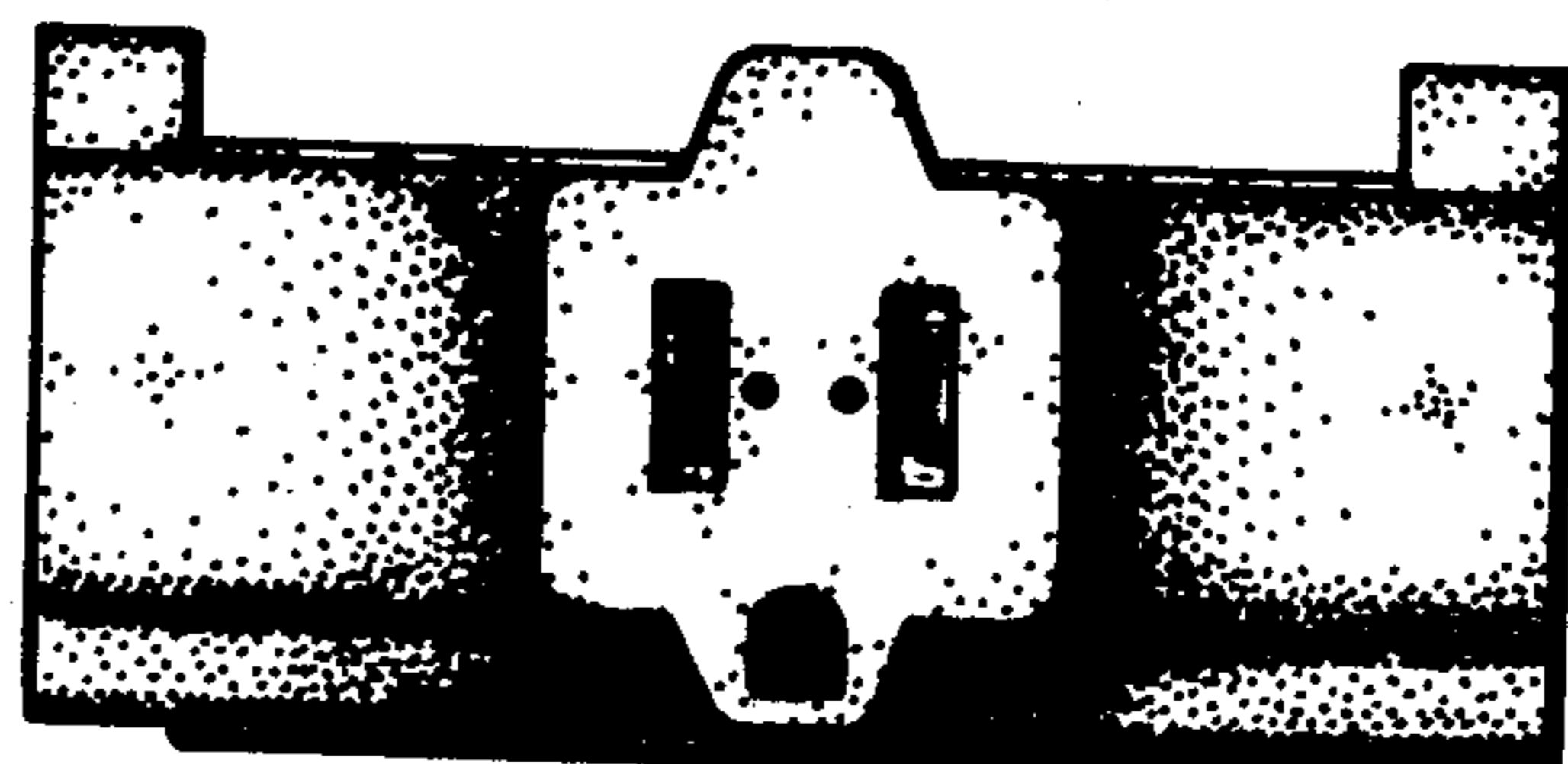


FIG-7