

[54] FITTING TABLE

[75] Inventor: Stephen U. Winig, Narberth, Pa.

[73] Assignee: American Optical Corporation, Southbridge, Mass.

[**] Term: 14 Years

[21] Appl. No.: 822,101

[22] Filed: Aug. 5, 1977

[51] Int. Cl. D6-03

[52] U.S. Cl. D6/157; D6/159; D6/161; D6/174; D6/179

[58] Field of Search D6/85, 146, 148, 156, D6/157, 158, 159, 160, 161, 162, 164, 165, 166, 167, 168, 169, 170, 177, 179, 181, 186, 188

[56] References Cited

U.S. PATENT DOCUMENTS

- D. 169,388 4/1953 Placke D6/179
- D. 223,838 6/1972 Valic D6/157

- D. 231,966 7/1974 Landau D6/162
- D. 238,841 2/1976 Goulooze D6/157 X
- 3,748,010 7/1973 Garte D6/160 X

OTHER PUBLICATIONS

"The Spectrum Collection" by Royal Furn. Co., p. 8, desk No. 0724.

Primary Examiner—Bruce W. Dunkins

Attorney, Agent, or Firm—Howard R. Berkenstock, Jr.

[57] CLAIM

The ornamental design for a fitting table, as shown and described.

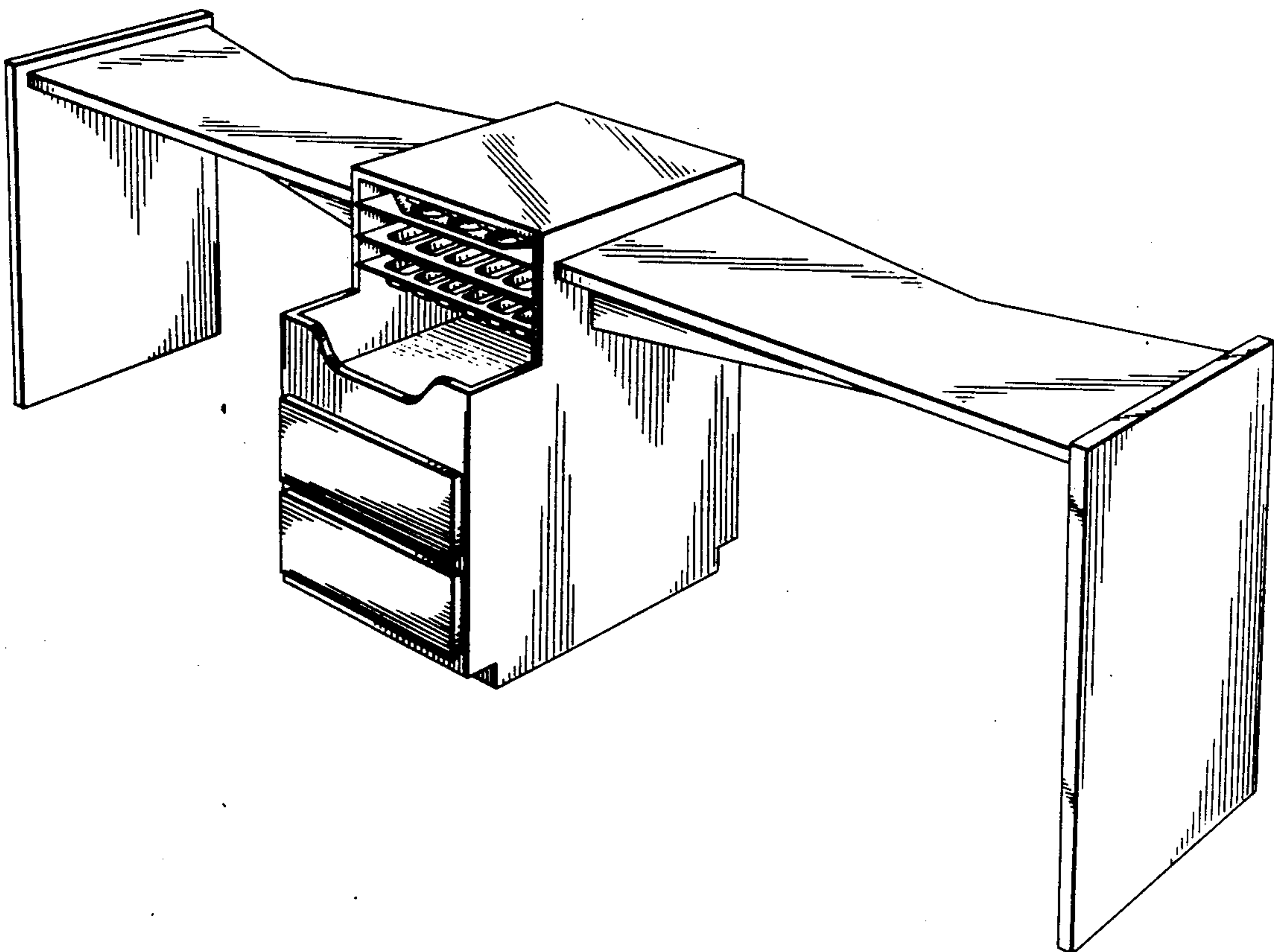
DESCRIPTION

FIG. 1 is an illustration, in rear perspective, of the fitting table embodying my new design;

FIG. 2 is an elevational view of one side of the table, the opposite side thereof being of substantially the same appearance;

FIG. 3 is a top plan view; and

FIG. 4 is a front elevational view of the table.



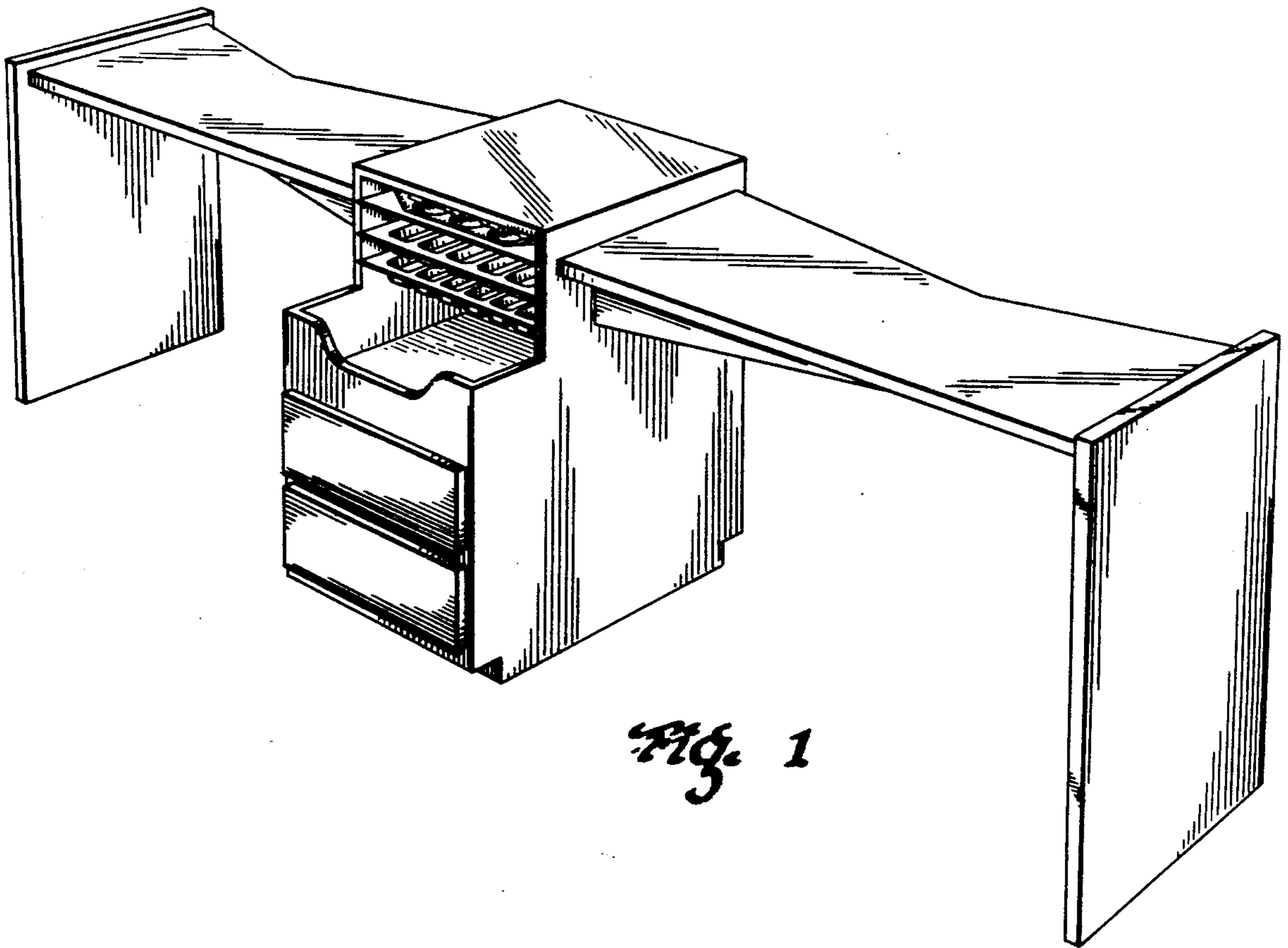


Fig. 1

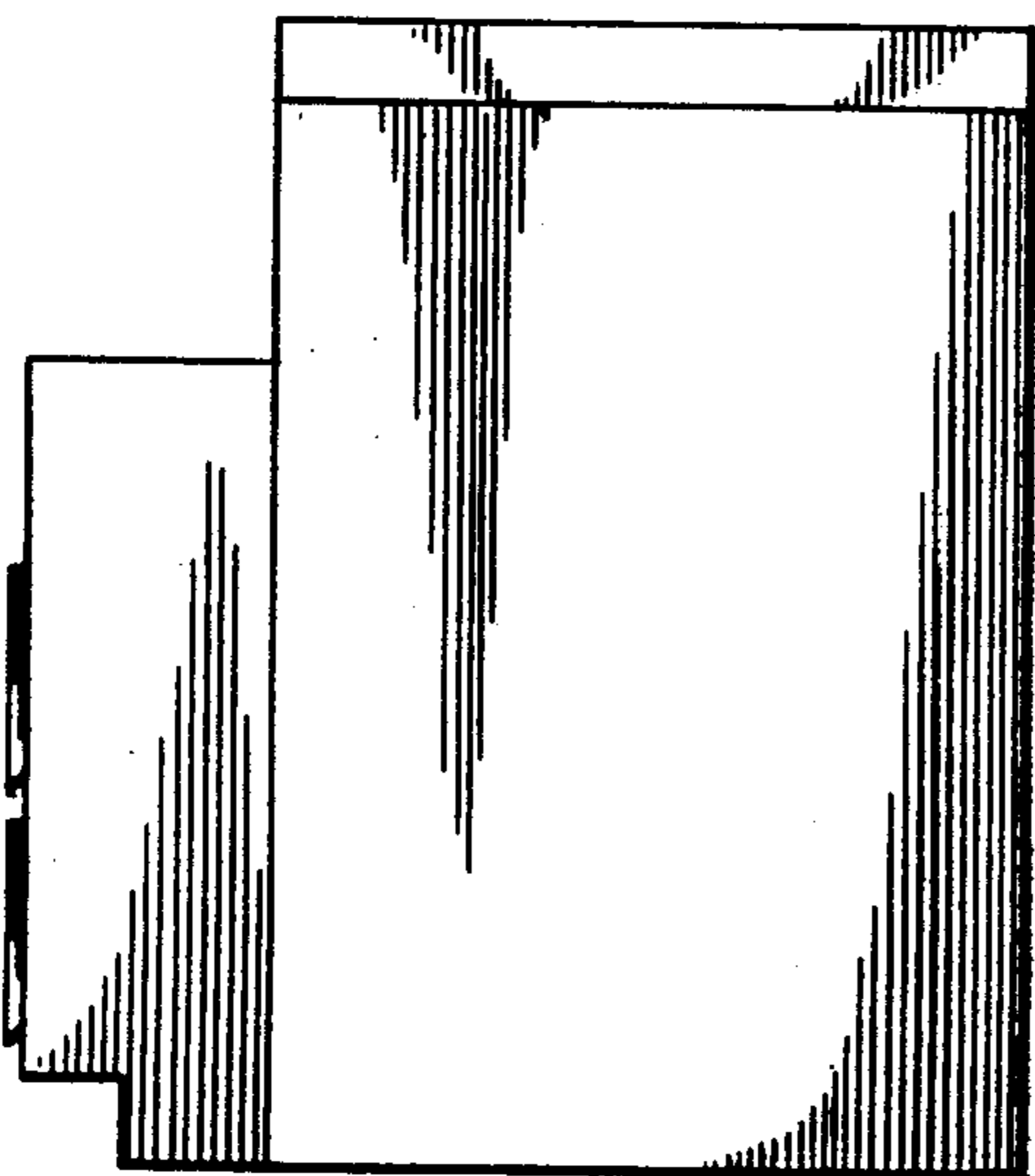


Fig. 2

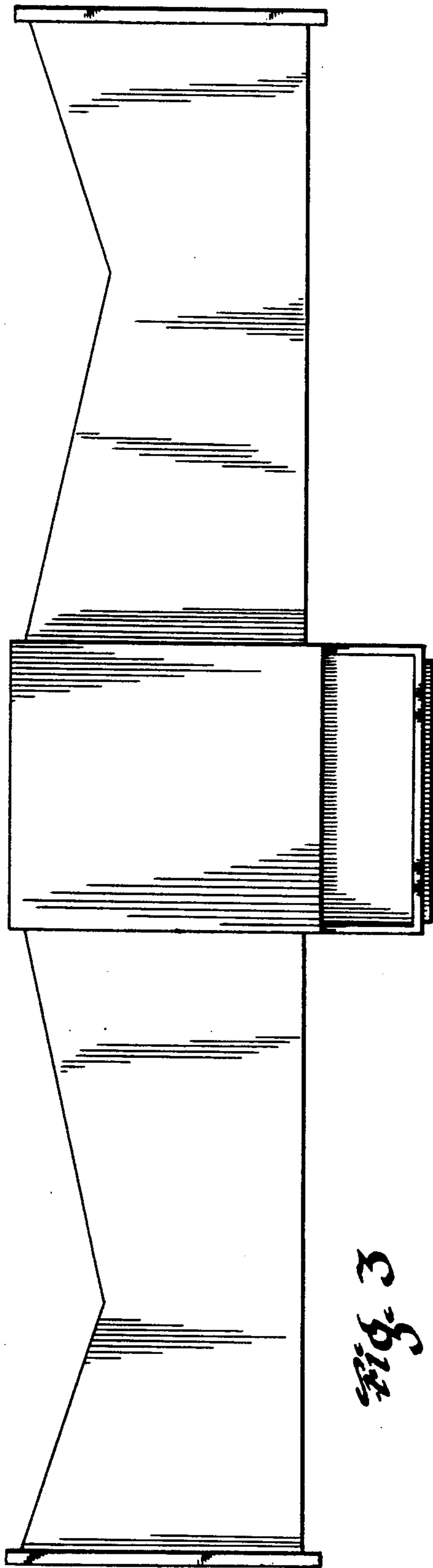


Fig. 3

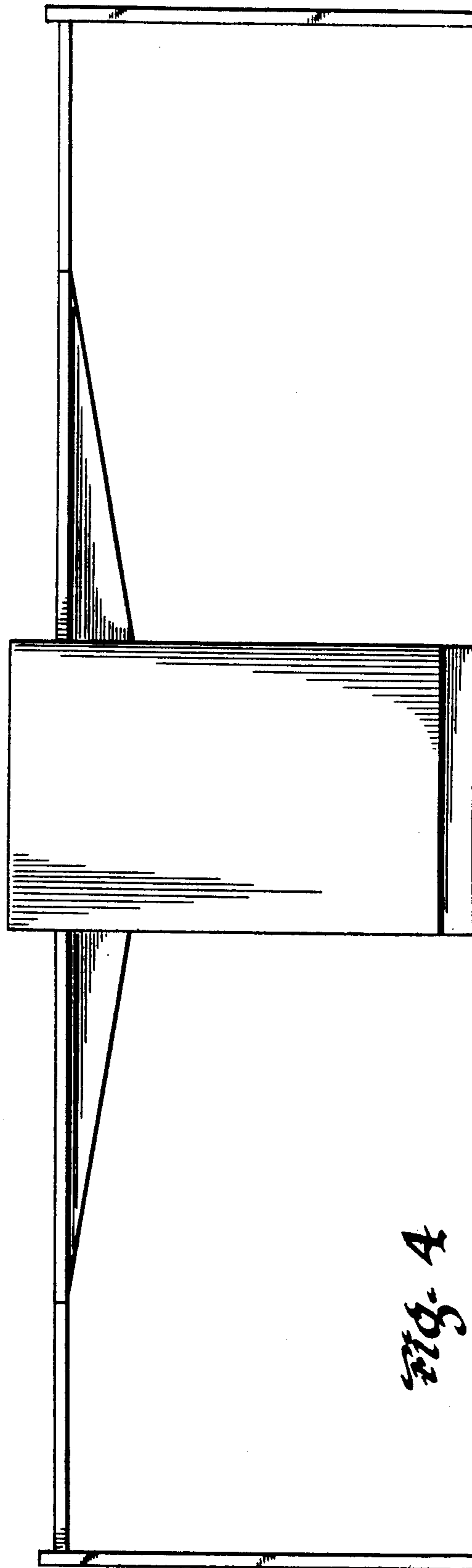


Fig. 4