

[54] **MAGNETIC DISC STORAGE CASE**

[76] Inventor: **Robert A. Egly**, 1630 Marquerite Dr.,
Corona Del Mar, Calif. 92625

[**] Term: **14 Years**

[21] Appl. No.: **724,513**

[22] Filed: **Sep. 20, 1976**

[51] Int. Cl. **D3-02**

[52] U.S. Cl. **D3/35; D9/202;**
D19/28

[58] Field of Search **D87/1 R, 1 D; D9/202,**
D9/221; 206/387, 472, 45.14, 45.24; D19/26,
28

[56] **References Cited**

U.S. PATENT DOCUMENTS

D. 220,989 6/1971 DiIoia D87/1 D

D. 229,122 11/1973 Price D87/1 D

D. 233,374 10/1974 Heeren D87/1 D

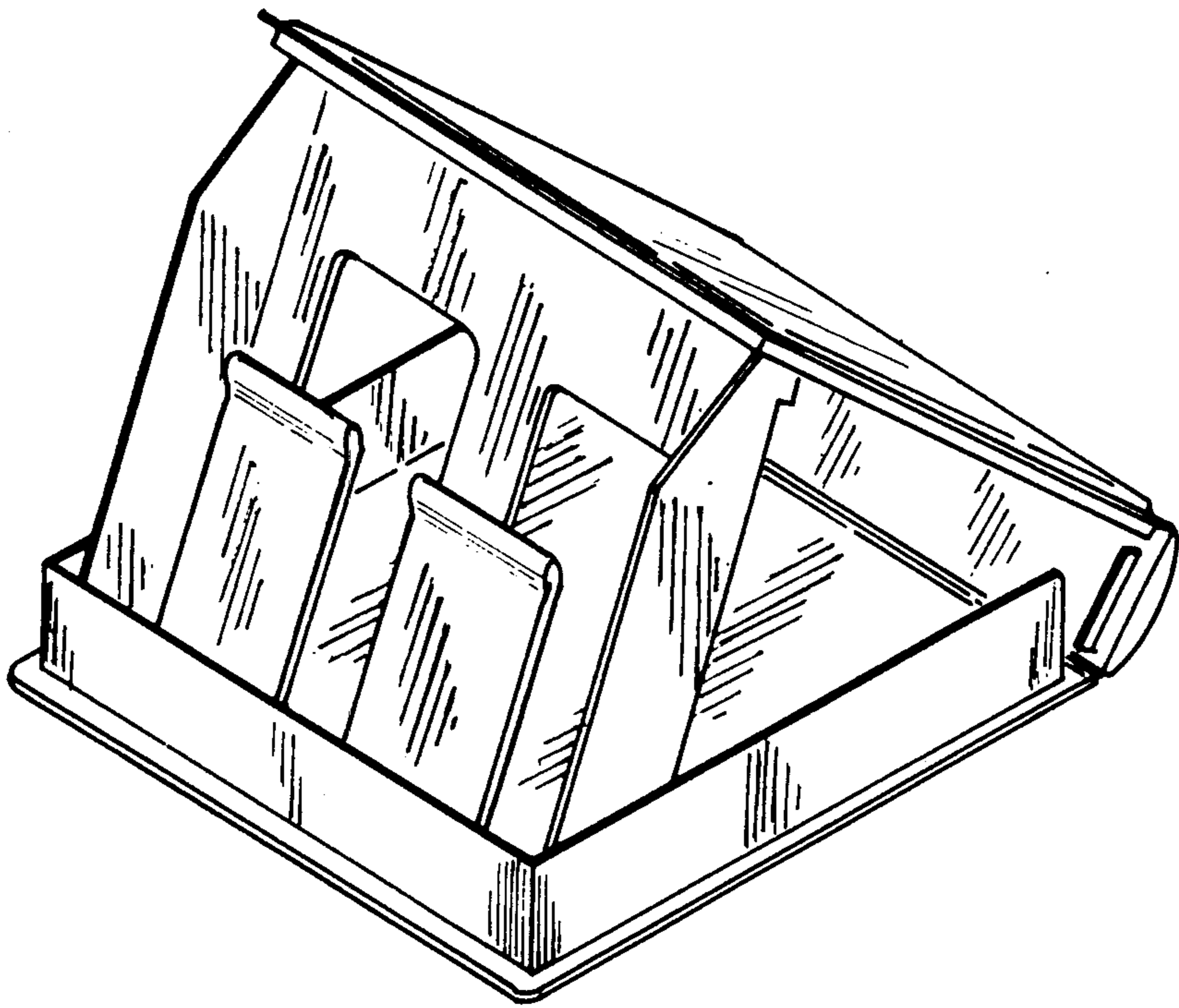
Primary Examiner—Joel Stearman
Assistant Examiner—George P. Word
Attorney, Agent, or Firm—George F. Bethel

[57] **CLAIM**

The ornamental design for a magnetic disc storage case,
as substantially shown and described.

DESCRIPTION

FIG. 1 is a perspective view of a magnetic disc storage case showing my new design;
FIG. 2 is a top plan view thereof;
FIG. 3 is a right side elevational view;
FIG. 4 is a cross sectional view taken along line 4—4 of FIG. 2;
FIG. 5 is a front elevational view of FIG. 1;
FIG. 6 is a bottom plan view thereof; and,
FIG. 7 is a right side elevational view with the pivoted tray placed in a vertical position.



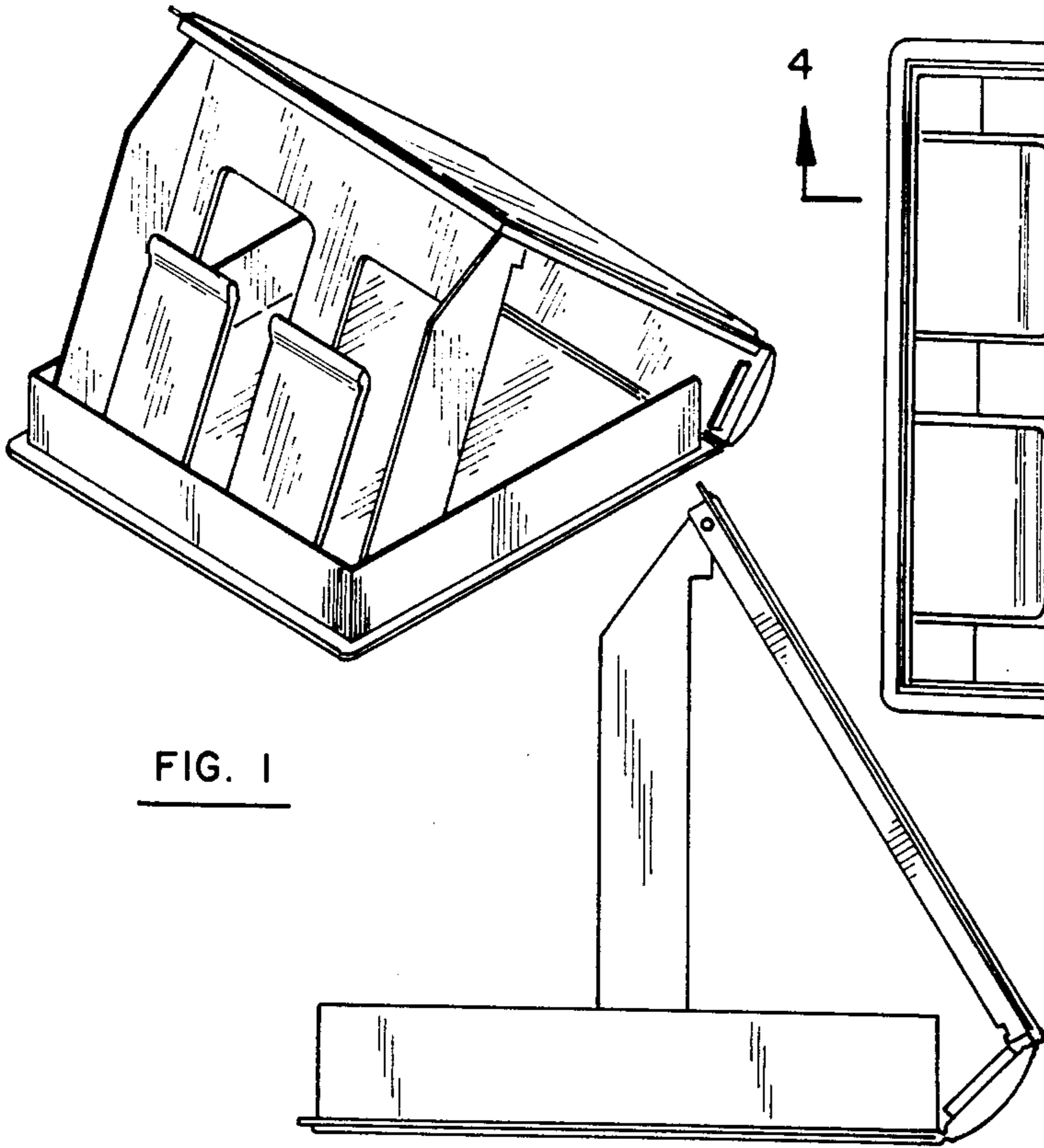


FIG. 1

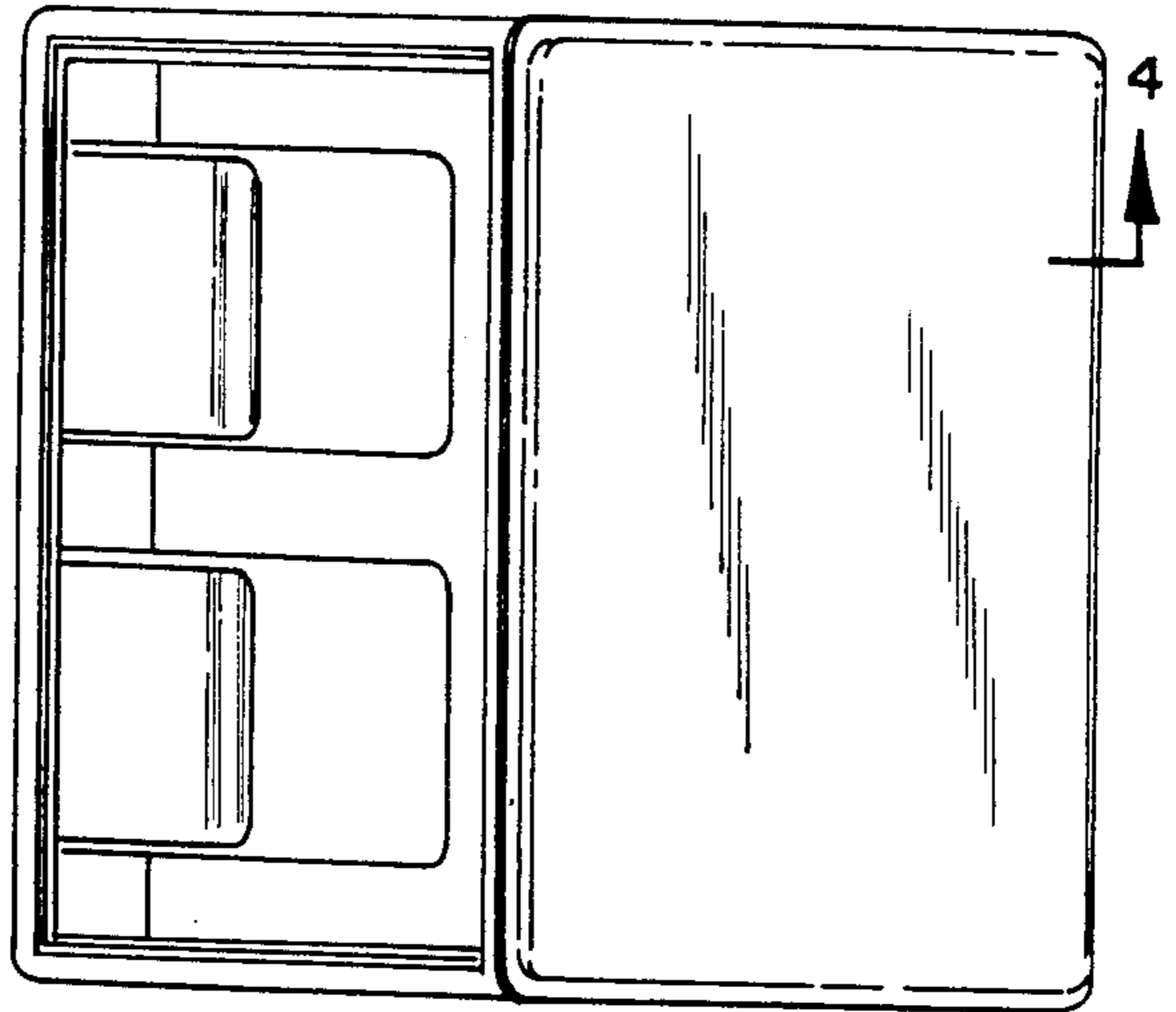


FIG. 2

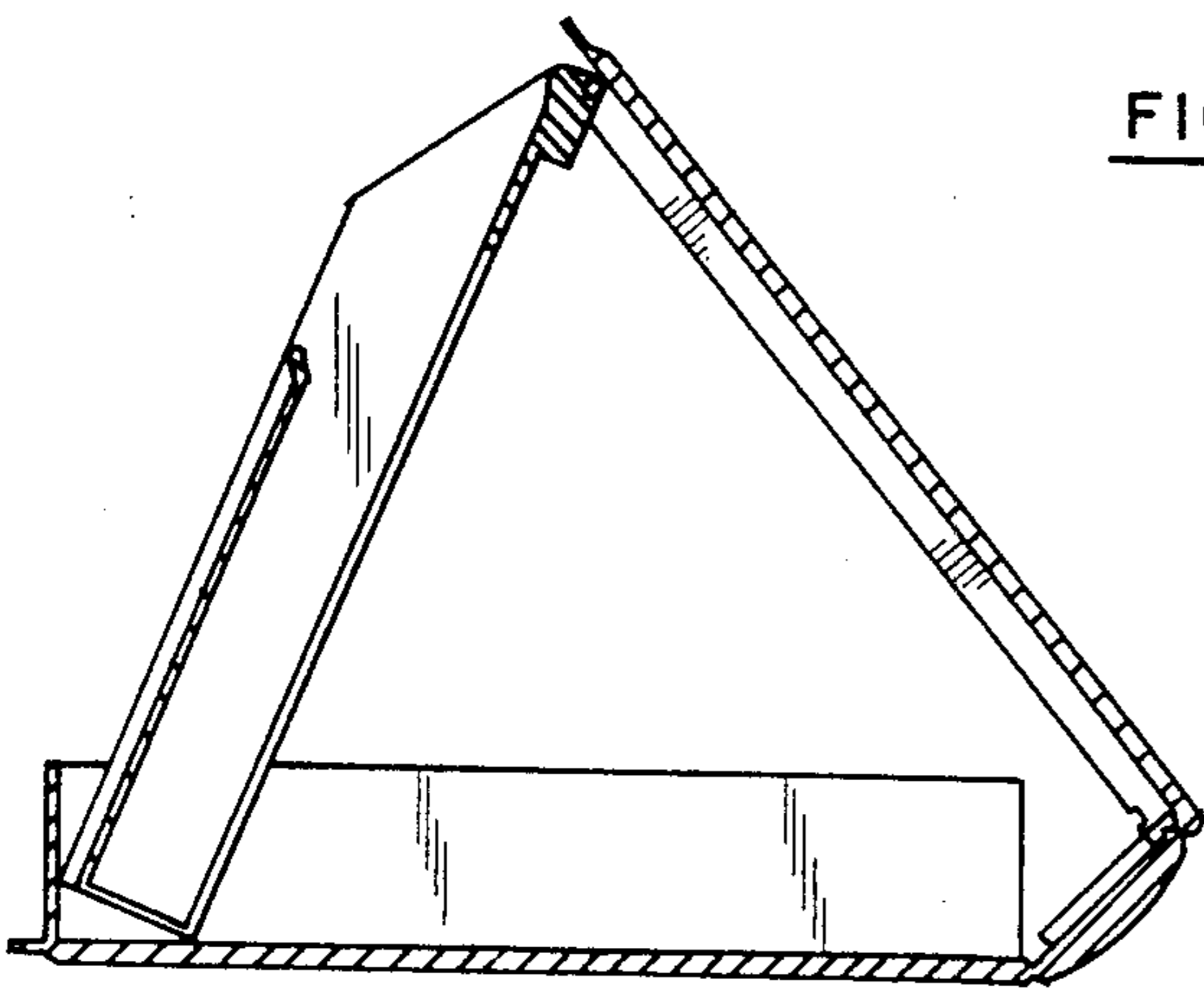


FIG. 3

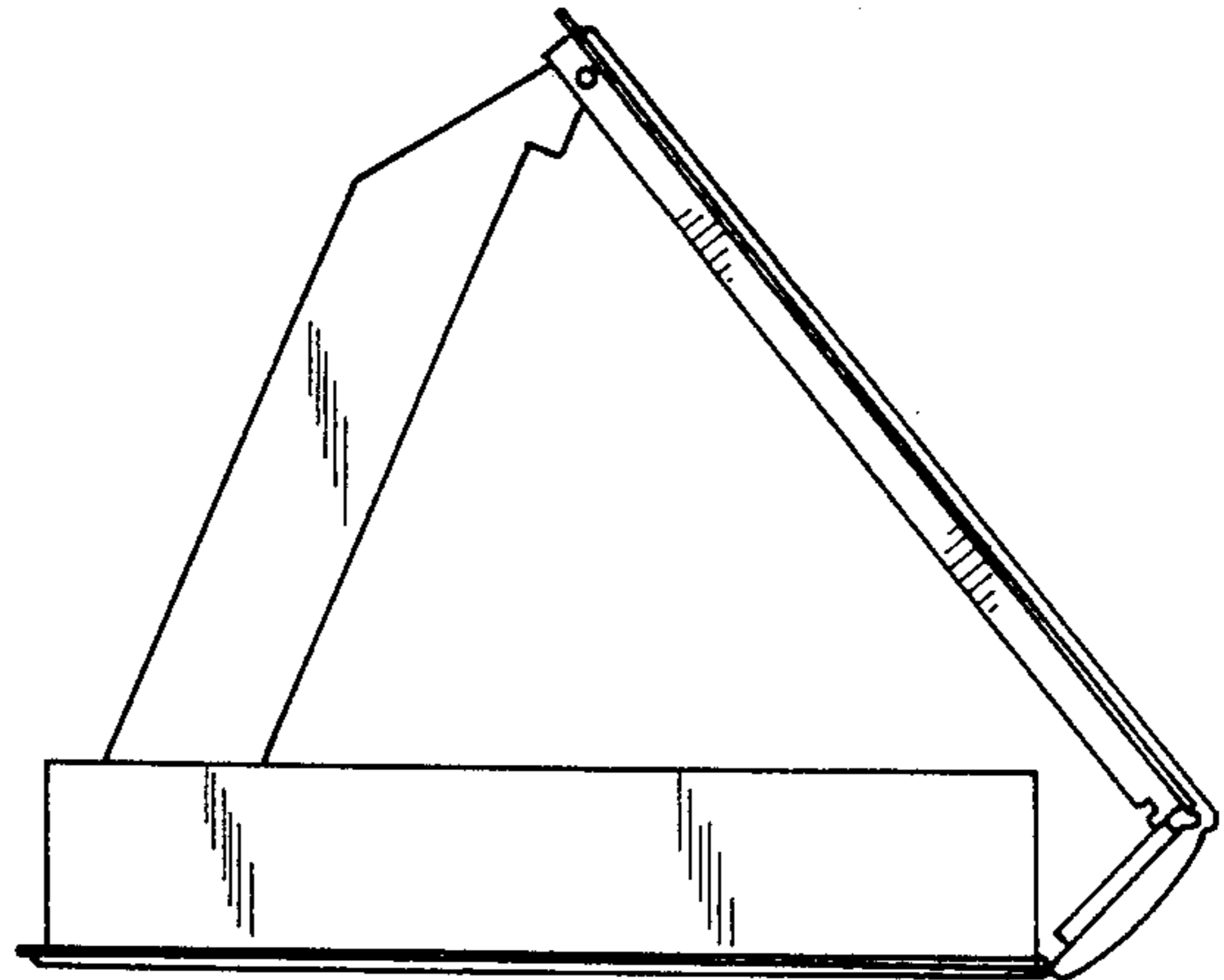


FIG. 4

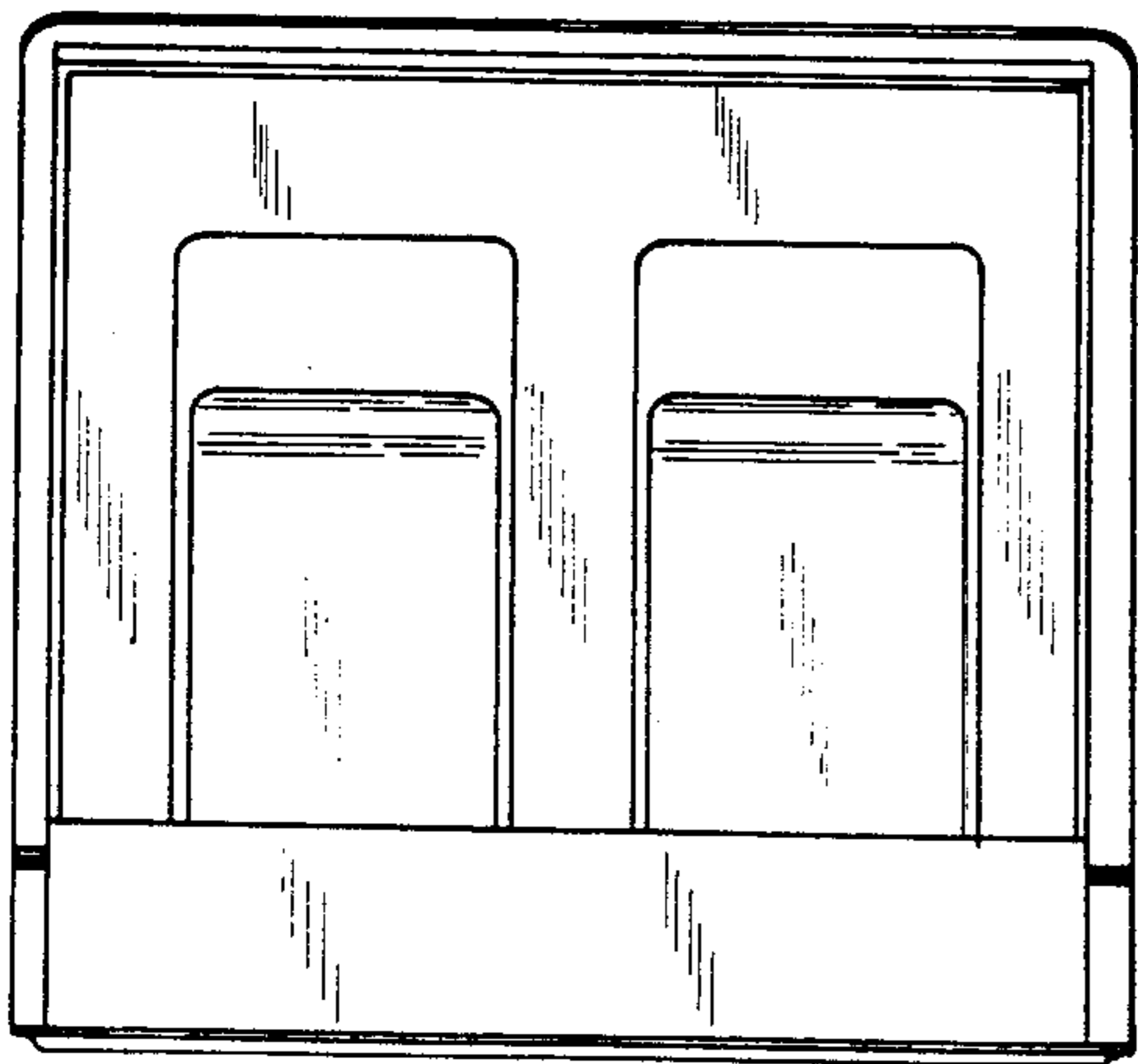


FIG. 5

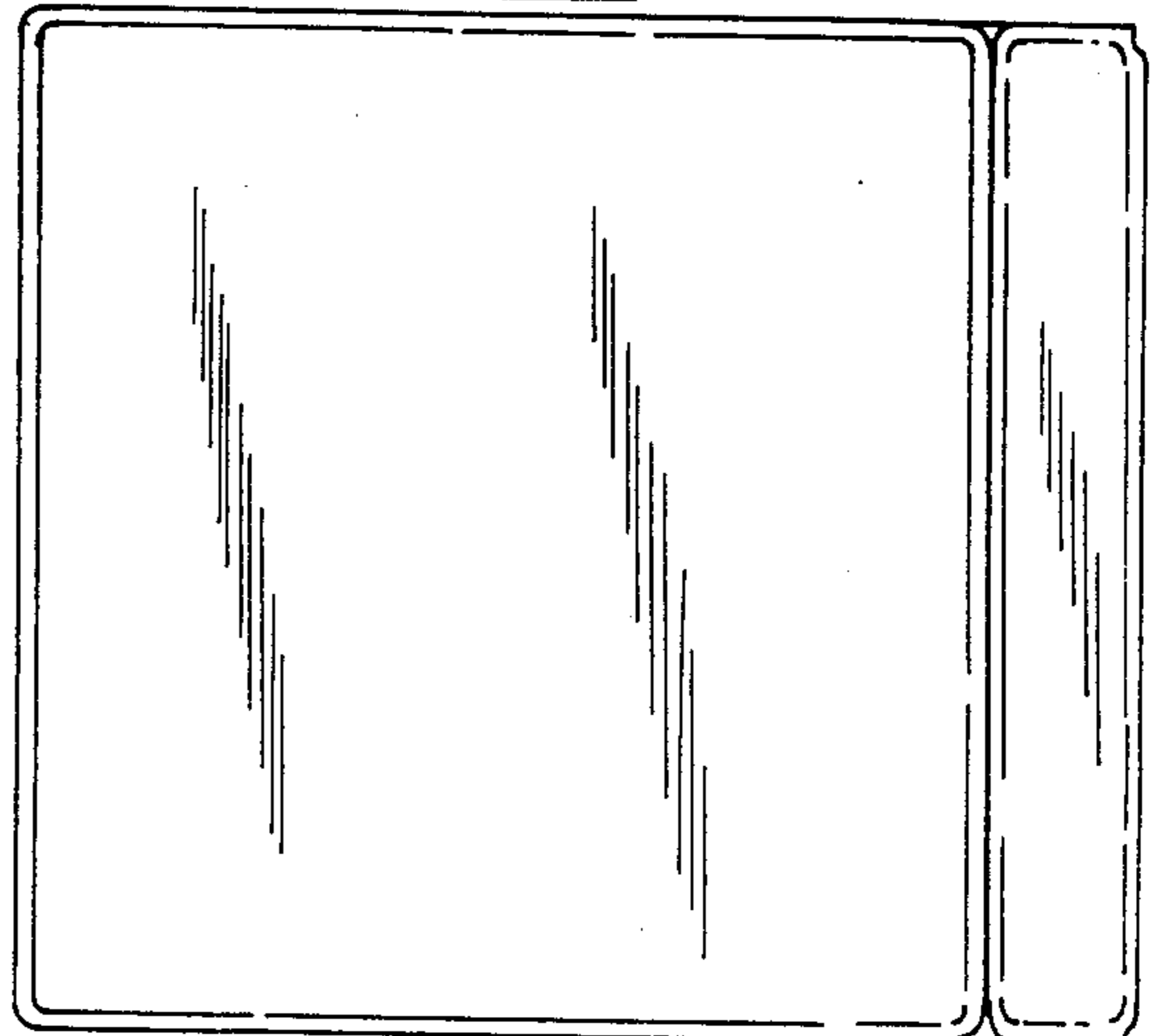


FIG. 6