

[54] COMBINED PORTABLE SPOT AND FLOOD LIGHT

[75] Inventor: Thomas Zelina, Erie, Pa.

[73] Assignee: Lighting Systems, Inc., Erie, Pa.

[\*\*] Term: 14 Years

[21] Appl. No.: 869,104

[22] Filed: Jan. 12, 1978

Related U.S. Application Data

[63] Continuation-in-part of Ser. No. 729,587, Oct. 4, 1976, Pat. No. D. 247,457.

[51] Int. Cl. .... D26-03; D26-02

[52] U.S. Cl. .... D48/20 K; D48/24 R

[58] Field of Search ..... D48/24 R, 24 A, 20 K; 362/158, 161, 164, 183, 184, 187, 188, 189, 190, 191, 194, 196, 201, 202, 203, 204, 205, 208, 222, 223

[56] References Cited

U.S. PATENT DOCUMENTS

D. 217,100 4/1970 Bidder ..... D48/24 R
D. 233,780 11/1974 Stone ..... D48/24 A

D. 234,001 12/1974 Stowe et al. .... D48/24 R
D. 244,876 6/1977 Zelina ..... D48/24 R
2,413,599 12/1946 Beck ..... 362/157
3,331,958 7/1967 Adler ..... 362/157
3,978,330 8/1976 Maurer ..... 362/158

FOREIGN PATENT DOCUMENTS

6,506,150 11/1965 Netherlands ..... 362/223

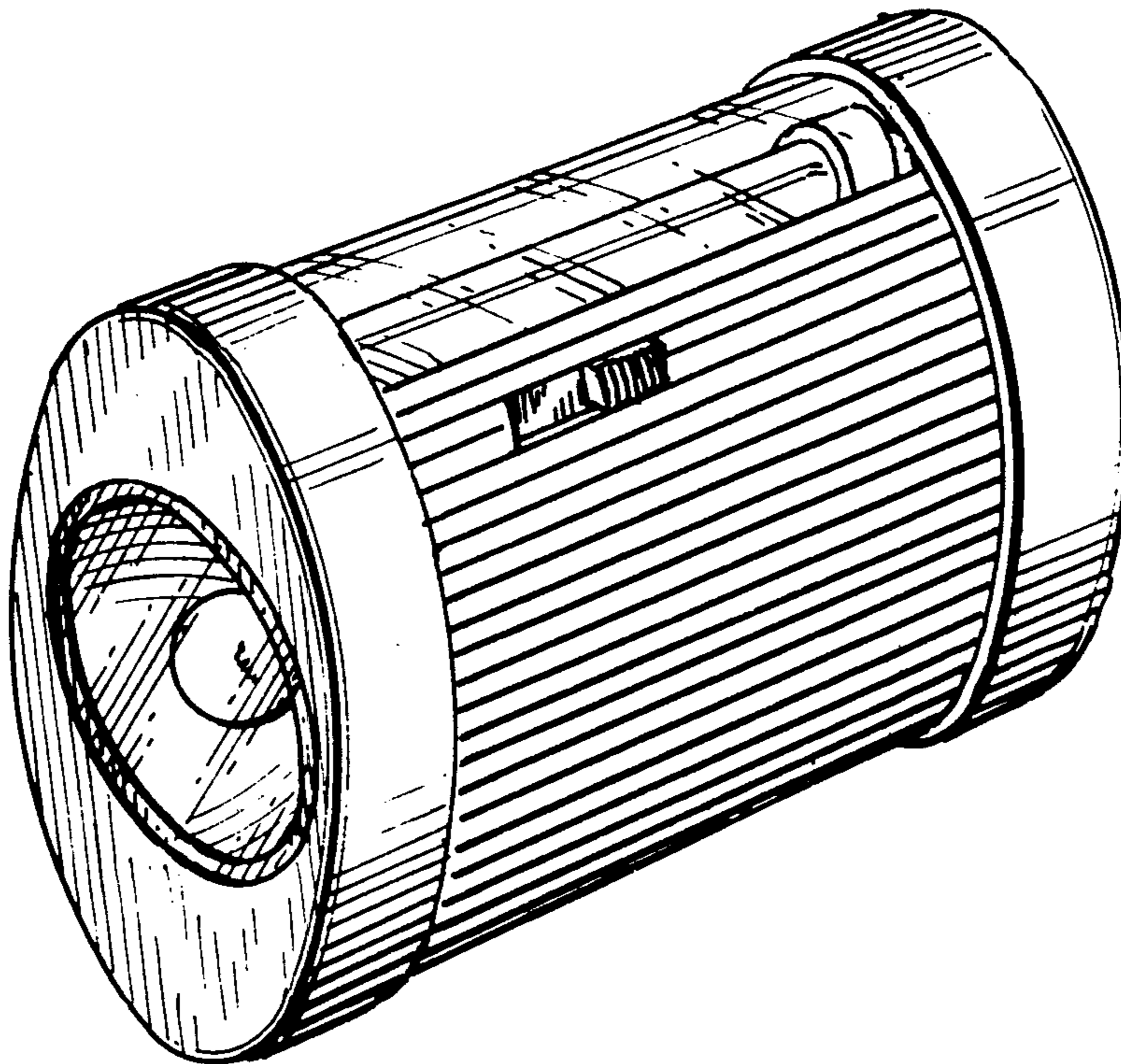
Primary Examiner—Susan J. Lucas
Attorney, Agent, or Firm—Charles L. Lovercheck

[57] CLAIM

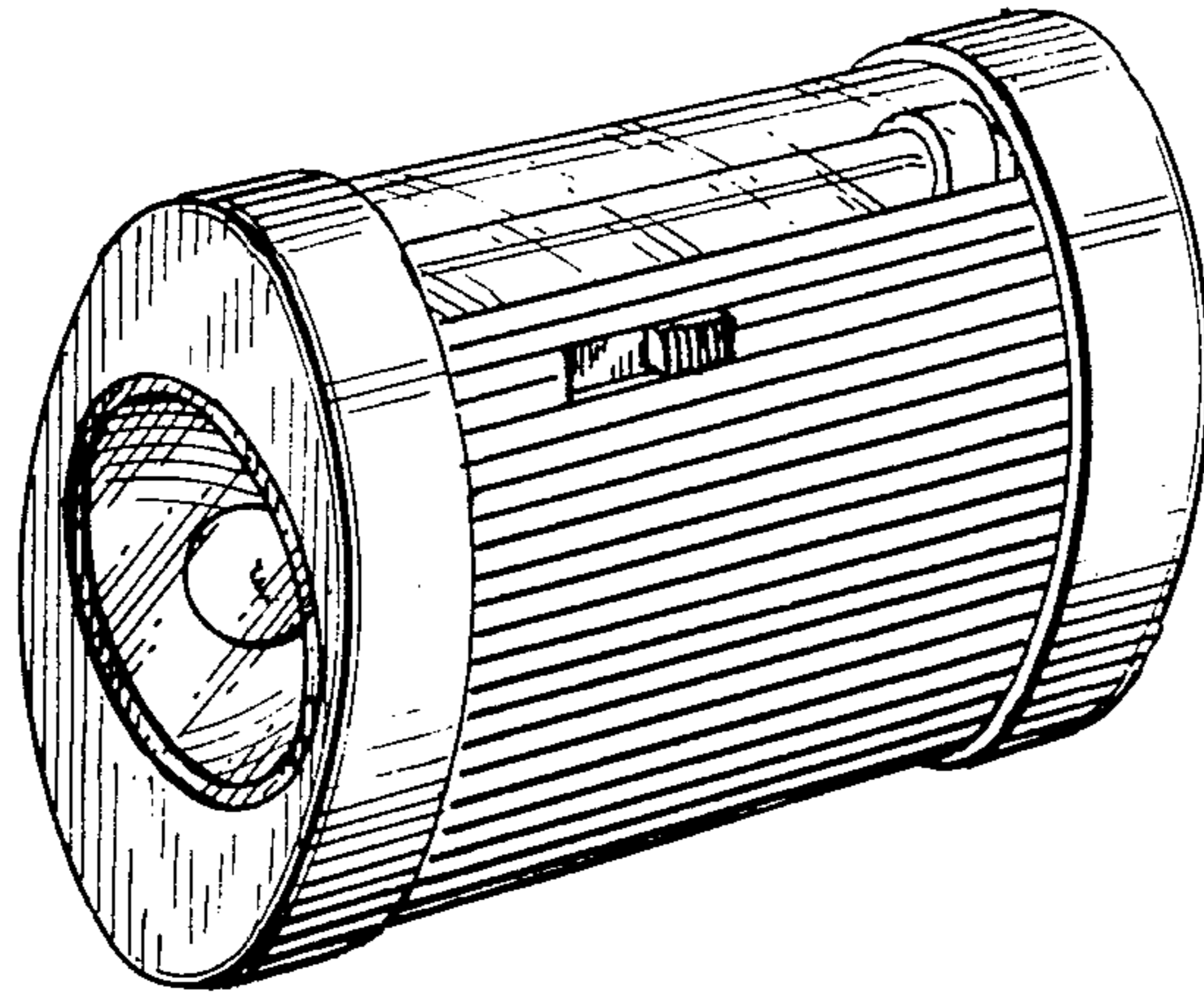
The ornamental design for a combined portable spot and flood light, as shown and described.

DESCRIPTION

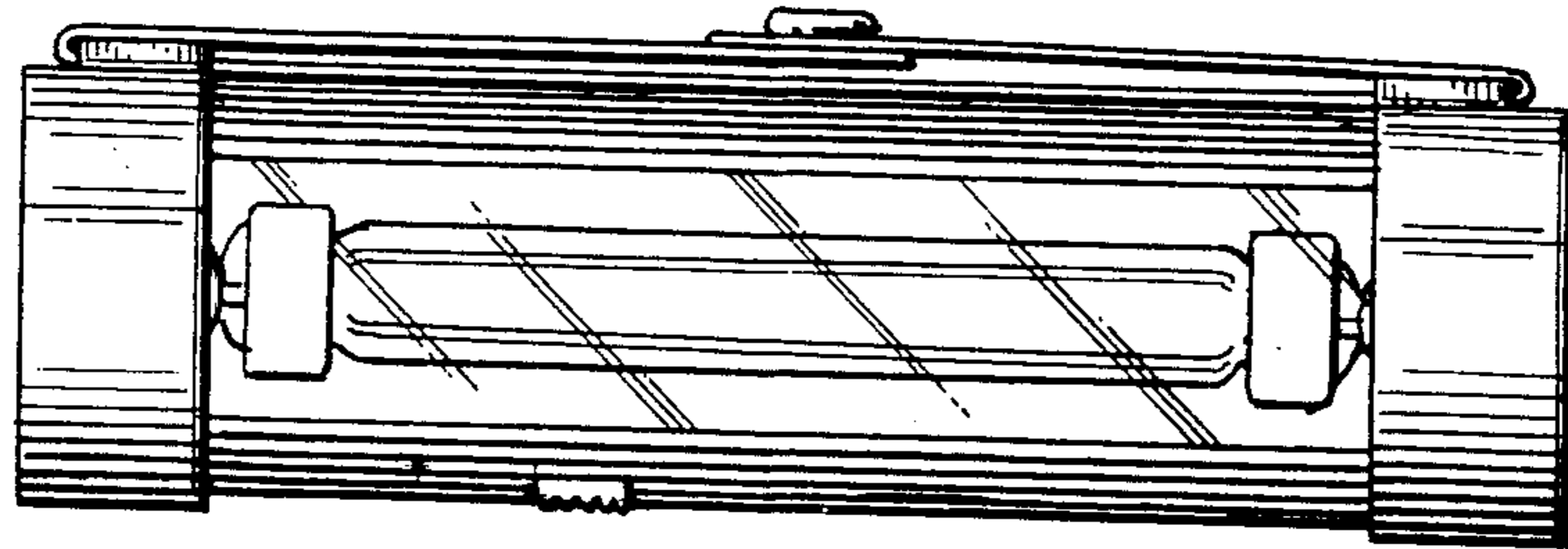
FIG. 1 is an isometric view of a combined portable spot and flood light showing my new design.
FIG. 2 is a top view of the light shown in FIG. 1.
FIG. 3 is a side view of the light shown in FIG. 1.
FIG. 4 is a bottom view of the light shown in FIG. 1.
FIG. 5 is an end view as seen from the left of FIG. 1.
FIG. 6 is a view of the end opposite that shown in FIG. 5.
FIG. 7 is a side-view of the light opposite that shown in FIG. 3.



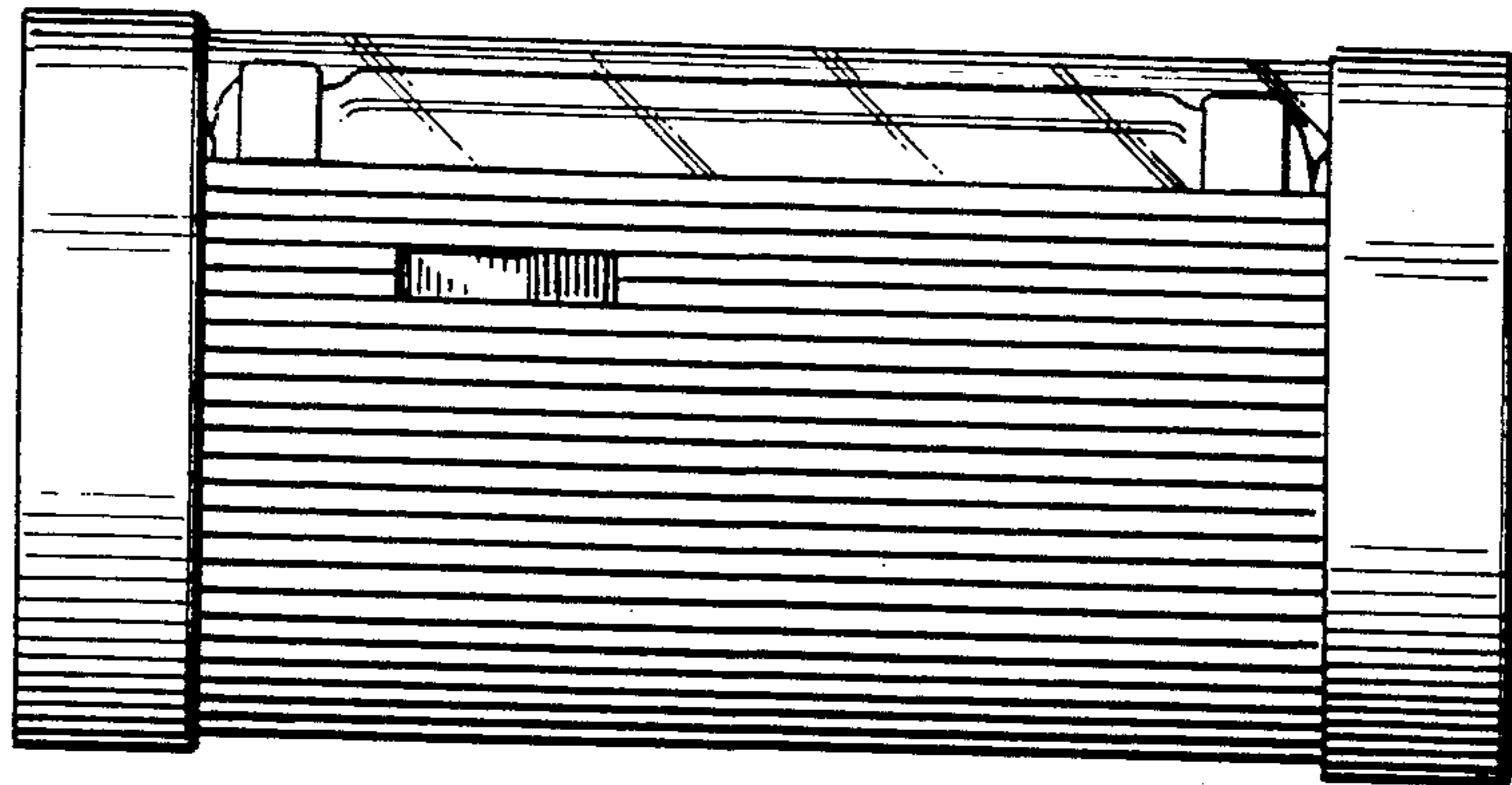
*FIG. 1.*



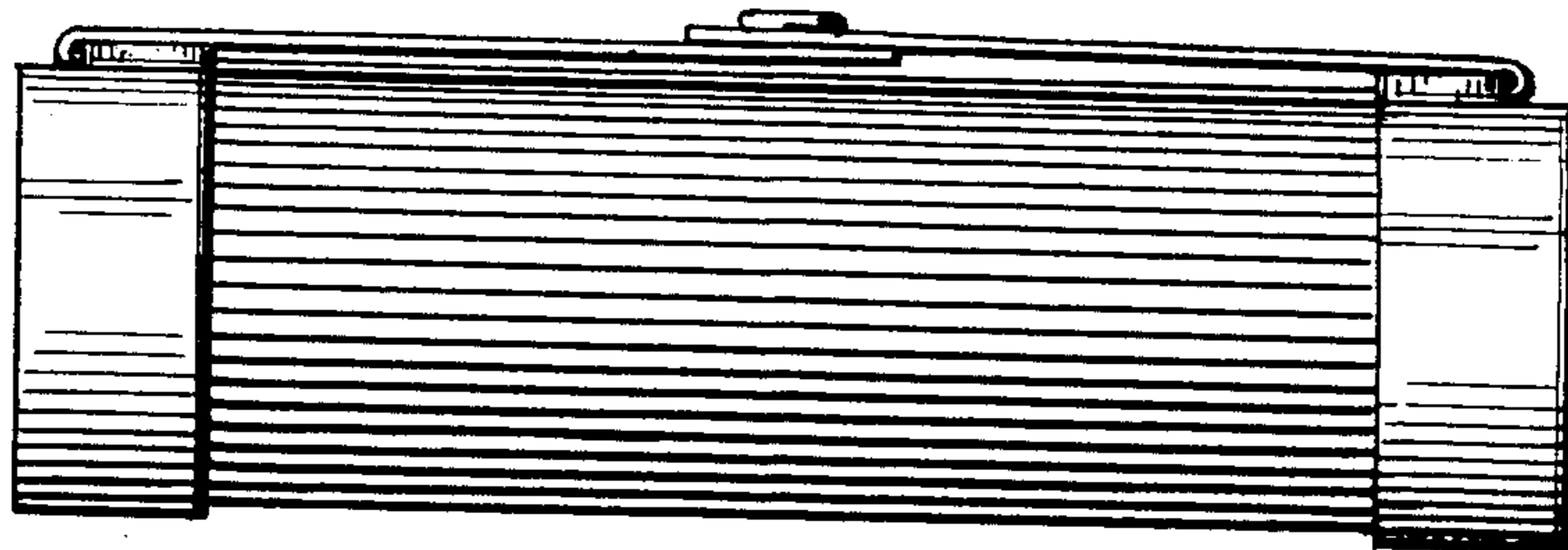
*FIG. 2.*



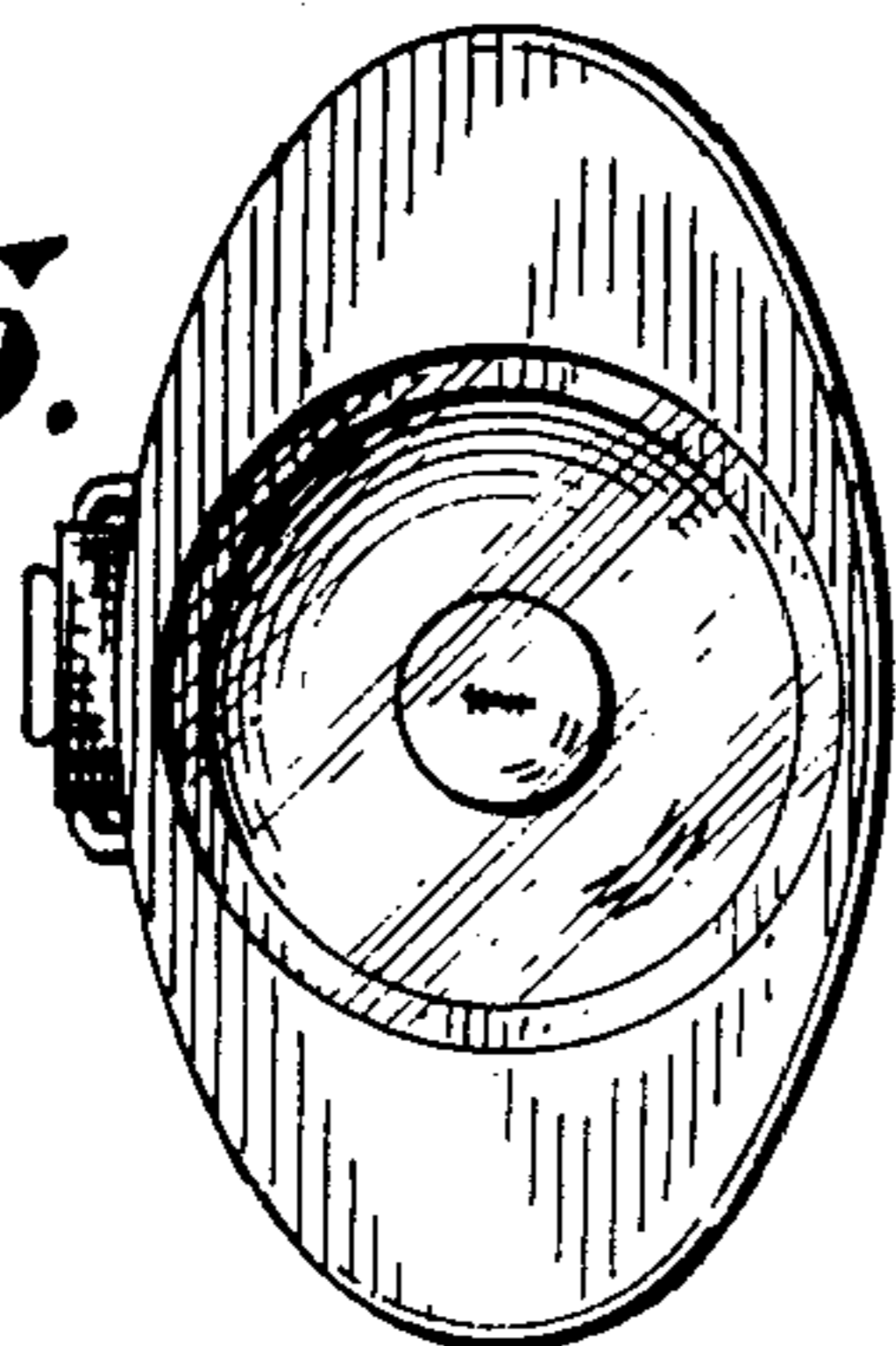
*FIG. 3.*



*FIG. 4.*



*FIG. 5.*



*FIG. 6.*

