

[54] **MEMO HOLDER**

[75] **Inventor:** Robert J. Tiedemann, Stamford, Conn.  
[73] **Assignee:** Sheller-Globe Corporation, Toledo, Ohio

[\*\*] **Term:** 14 Years

[21] **Appl. No.:** 801,829

[22] **Filed:** May 31, 1977

[51] **Int. Cl.** ..... D19-02

[52] **U.S. Cl.** ..... D19/90; D19/92

[58] **Field of Search** ..... D19/20, 21, 75, 78, D19/90-92; D6/140; 211/11

[56] **References Cited**

**U.S. PATENT DOCUMENTS**

D. 59,274	10/1921	Plym .....	D19/90
D. 94,204	1/1935	Guild .....	D19/90
D. 185,130	5/1959	Camilli .....	D19/90
D. 187,830	5/1960	Lewis .....	D19/92

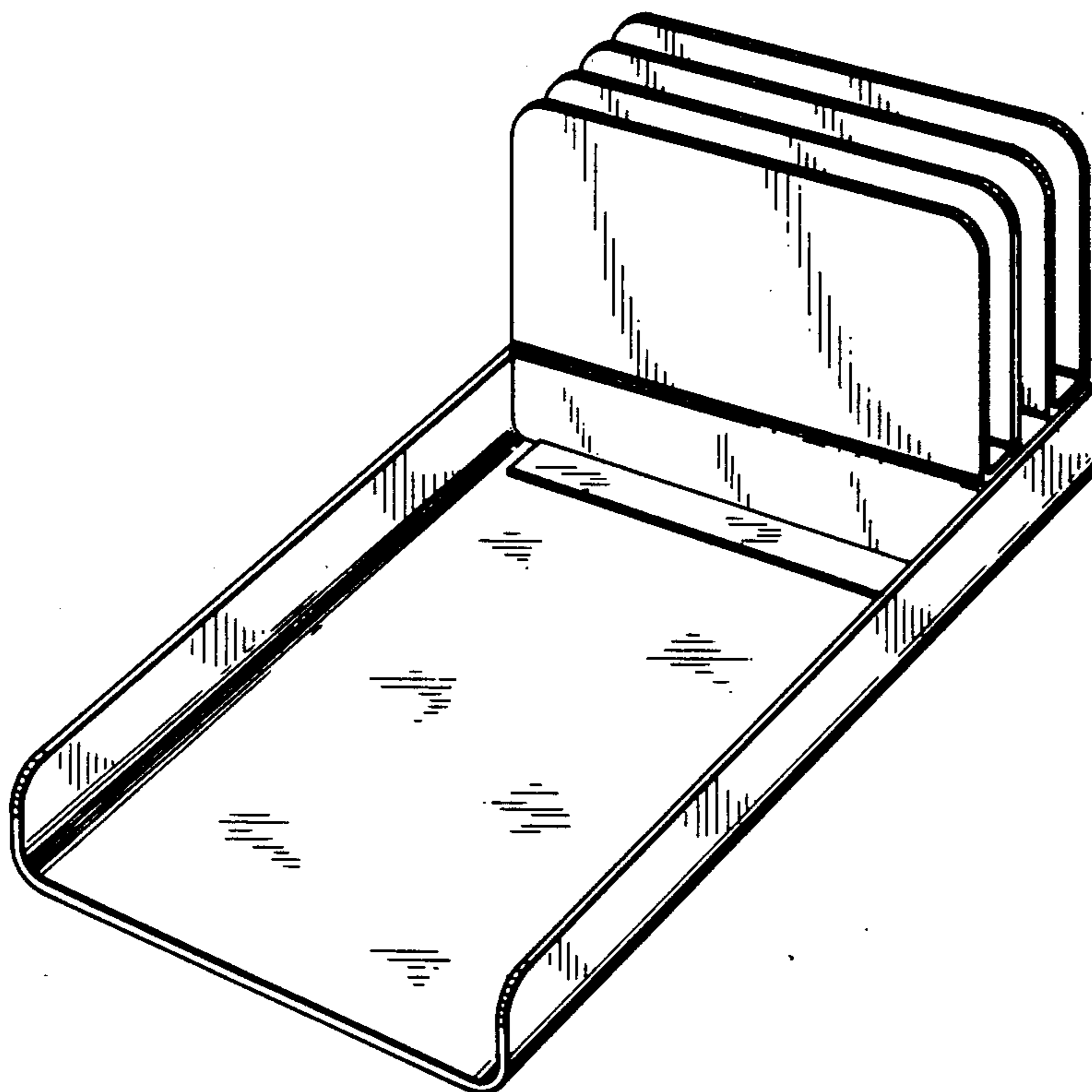
*Primary Examiner*—Joel Stearman  
*Assistant Examiner*—George P. Word  
*Attorney, Agent, or Firm*—David H. Wilson

[57] **CLAIM**

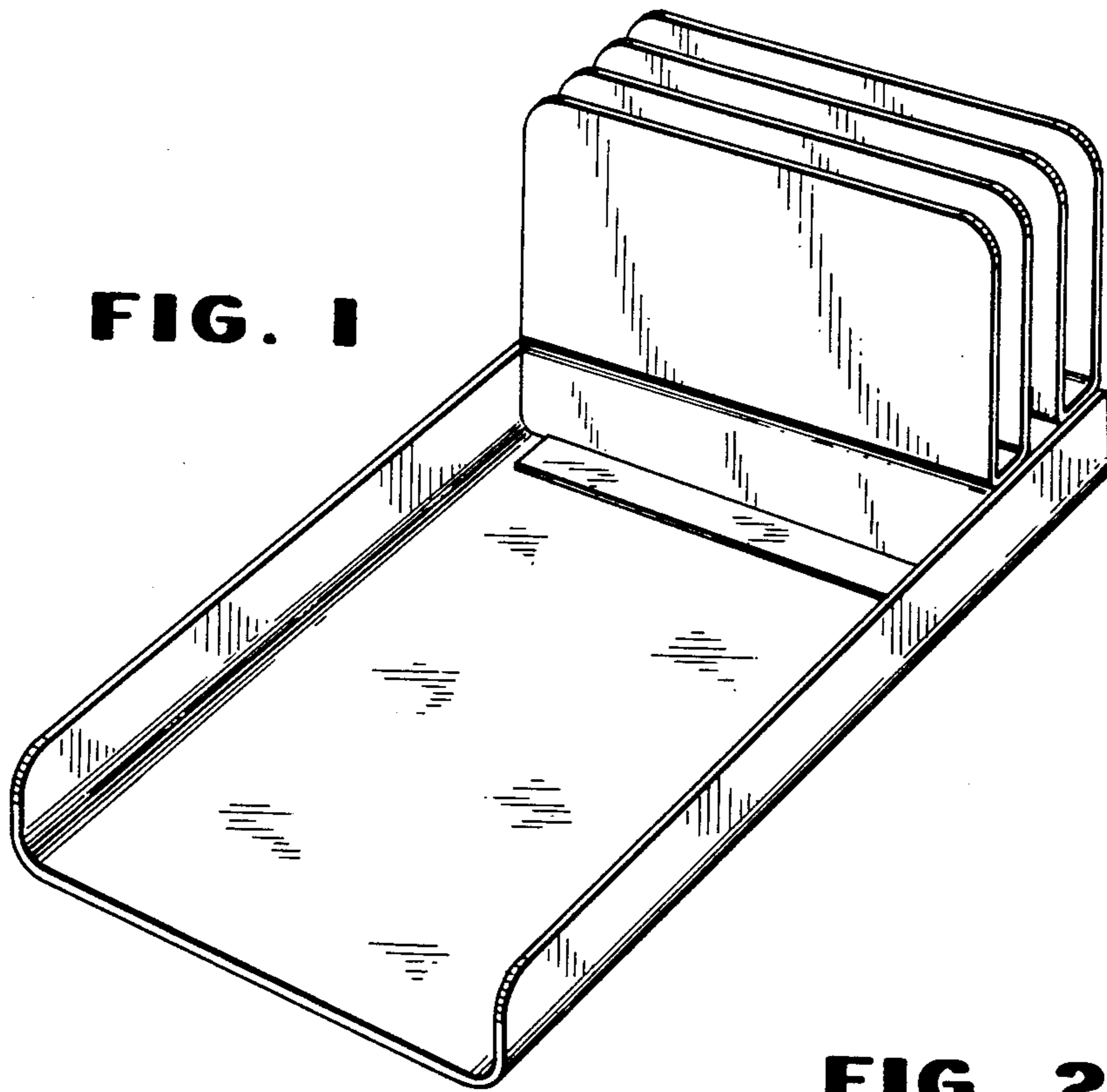
The ornamental design for a memo holder, as shown.

**DESCRIPTION**

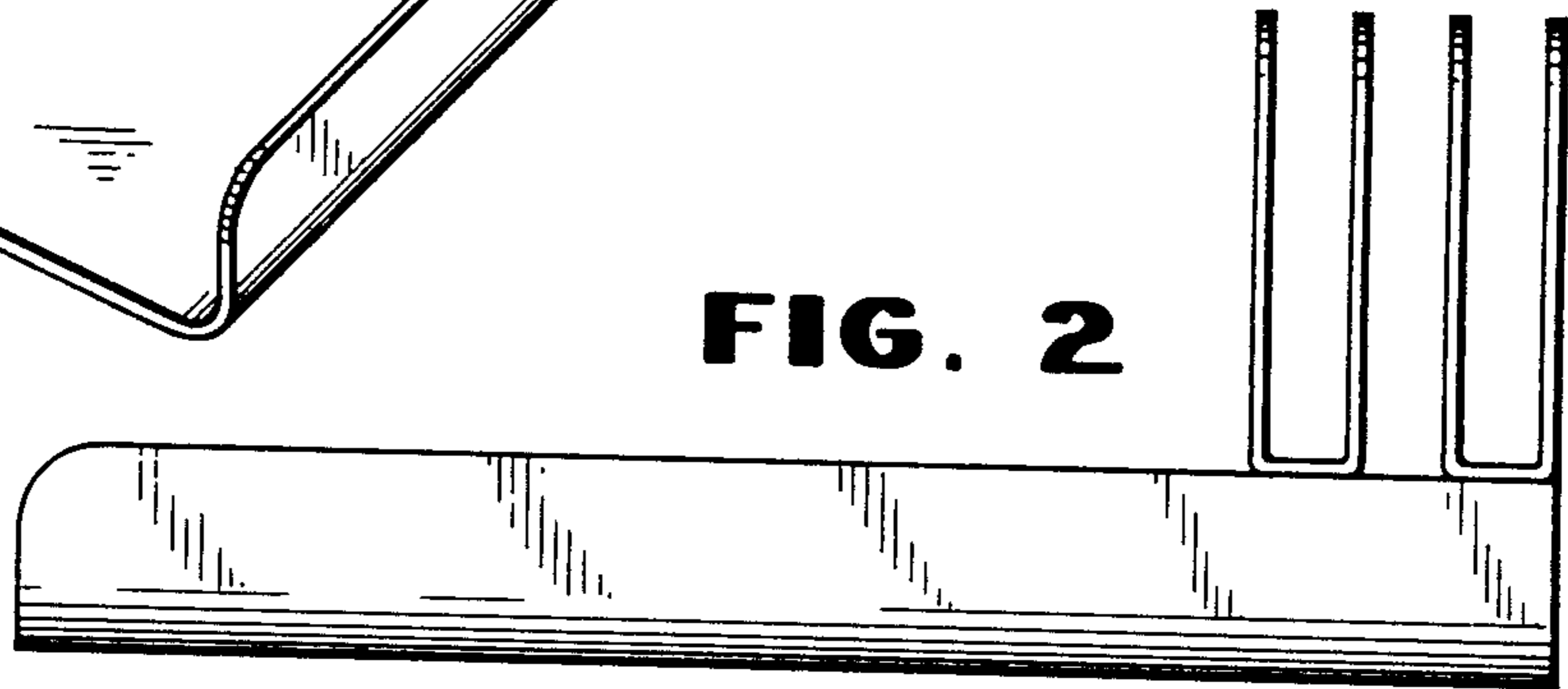
FIG. 1 is a perspective view of a memo holder embodying my new design;  
FIG. 2 is a right side elevational view thereof;  
FIG. 3 is a front elevational view thereof;  
FIG. 4 is a rear elevational view thereof;  
FIG. 5 is a top plan view thereof.



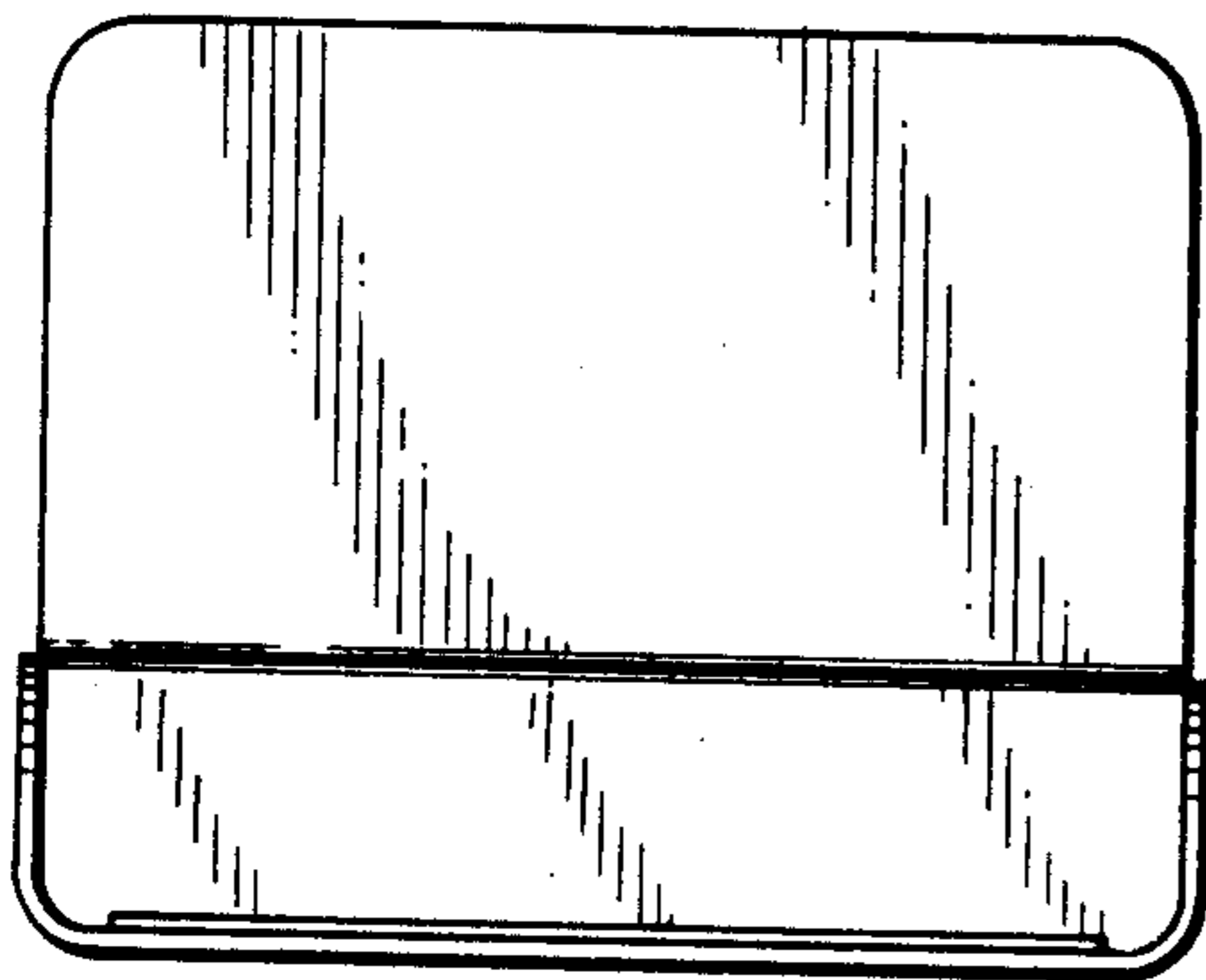
**FIG. 1**



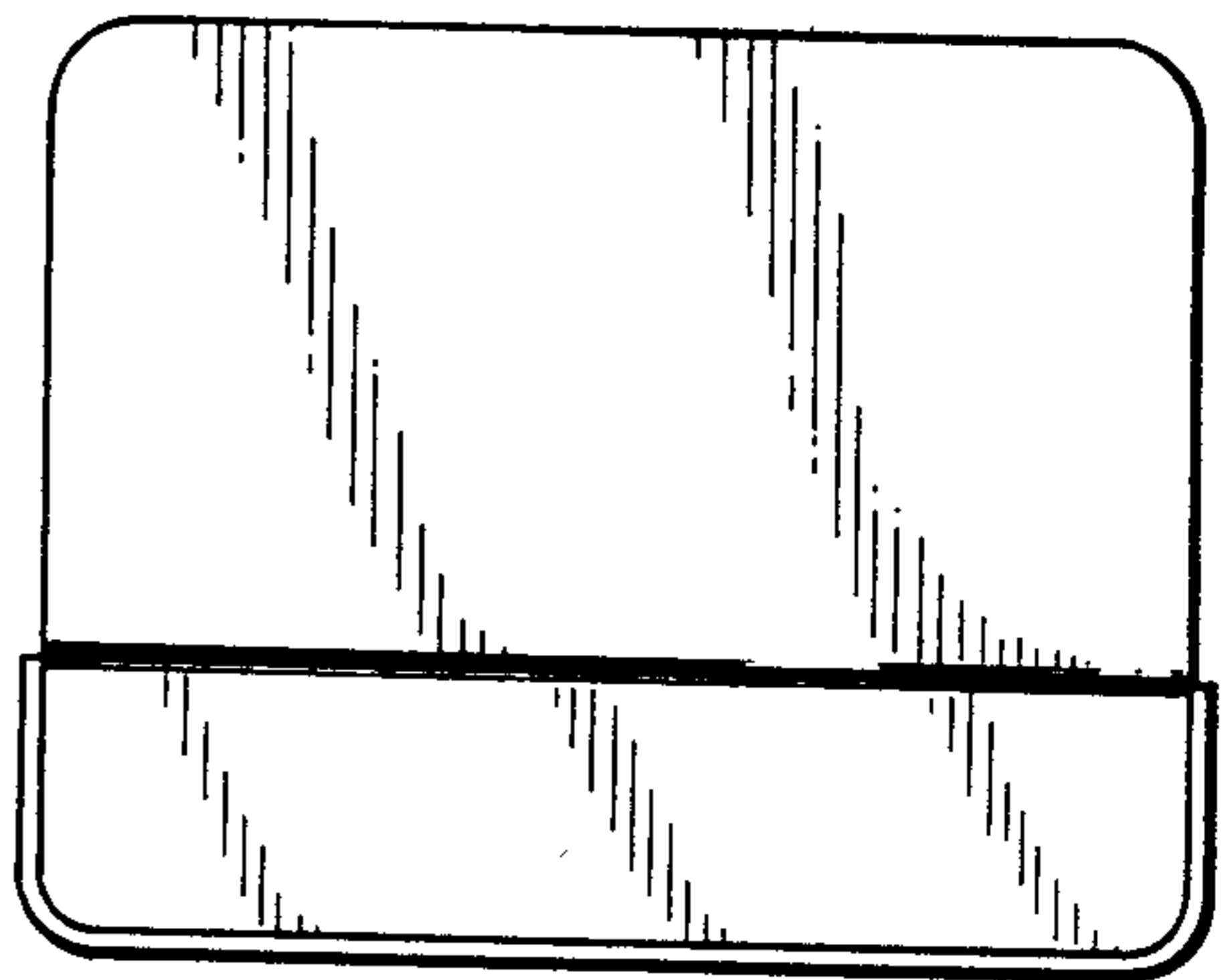
**FIG. 2**



**FIG. 3**



**FIG. 4**



**FIG. 5**

