

[54] KILN FRAME

[76] Inventor: Frederick L. Olsen, Pinyon Crest, Box 205, Mountain Center, Calif. 92361

[**] Term: 14 Years

[21] Appl. No.: 705,674

[22] Filed: Jul. 15, 1976

[51] Int. Cl. D15-09

[52] U.S. Cl. D15/141

[58] Field of Search D15/141, 135, 144; D19/35; 432/120; 34/201, 202; D23/82

[56] References Cited

U.S. PATENT DOCUMENTS

D. 45,431 3/1914 Moyle D15/141

Primary Examiner—Alan P. Douglas
Attorney, Agent, or Firm—George F. Bethel; Patience K. Bethel

[57] CLAIM

The ornamental design of a kiln frame, substantially as shown.

DESCRIPTION

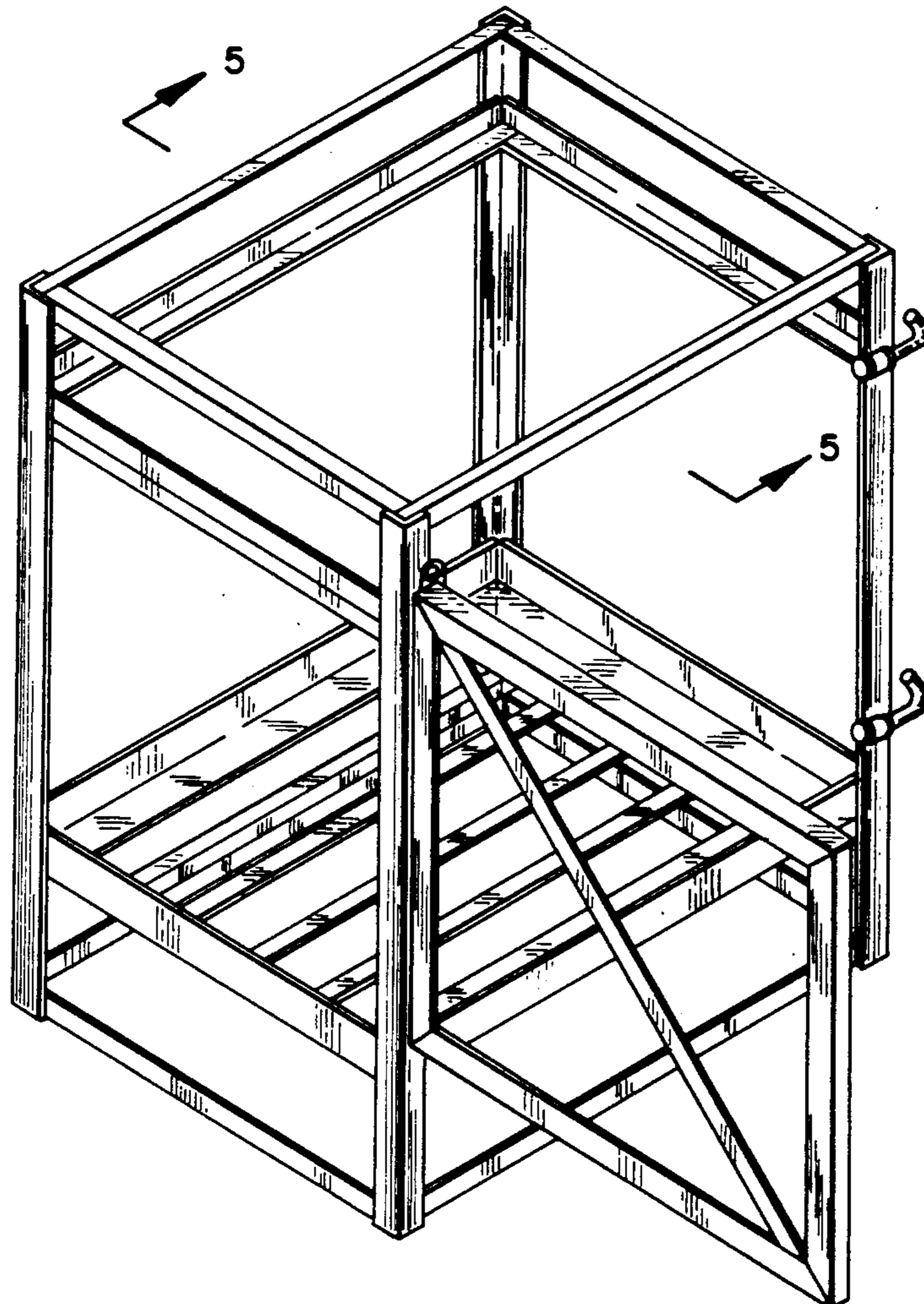
FIG. 1 shows a perspective view of my ornamental design for a kiln frame with the door thereof in the open position;

FIG. 2 shows a top plan view of my design for a kiln frame;

FIG. 3 shows a front elevation view of my design for a kiln frame;

FIG. 4 shows a side elevation view of my kiln frame looking from the left side of the Figures; and,

FIG. 5 shows a sectional view of my kiln frame through lines 5—5 of FIG. 1.



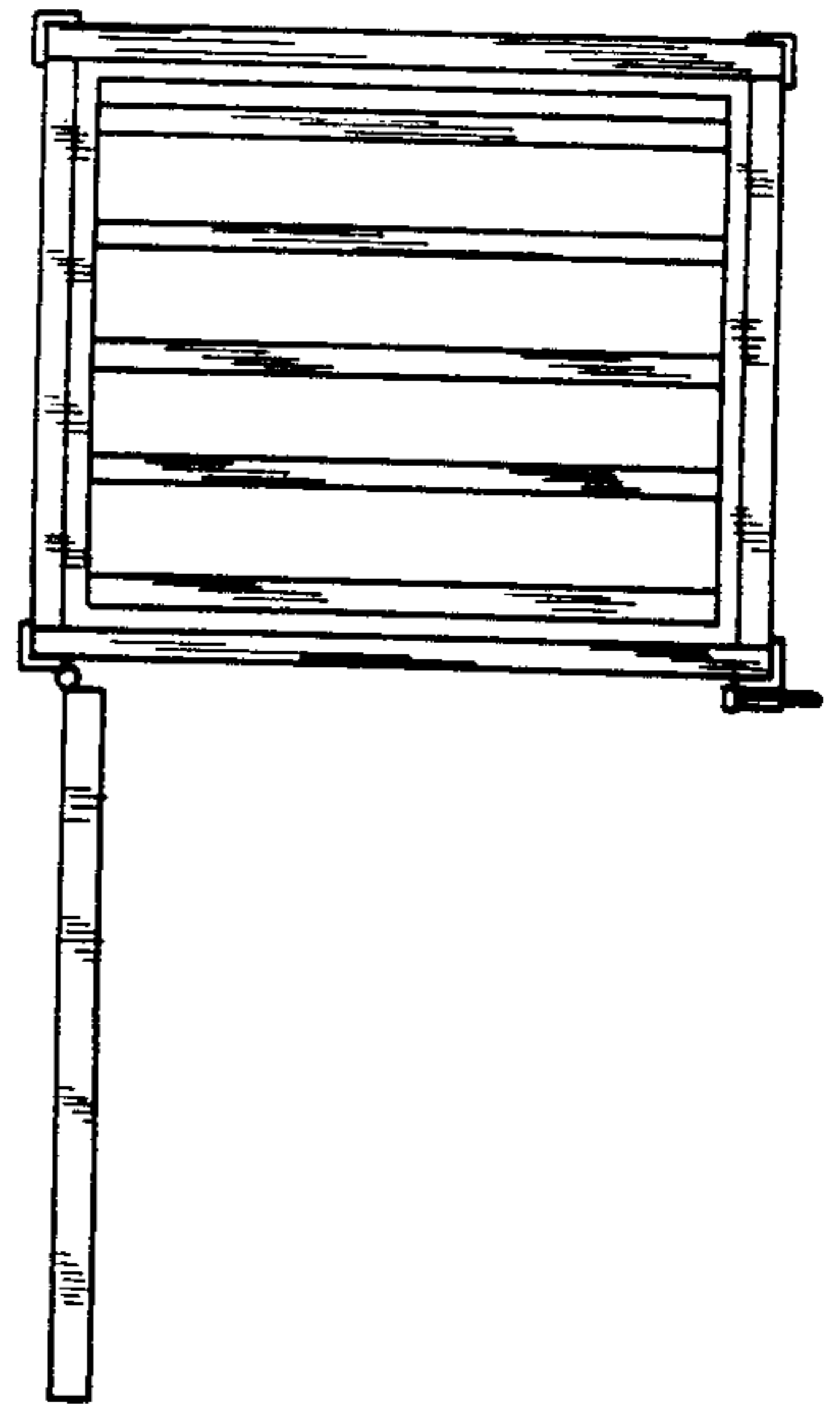
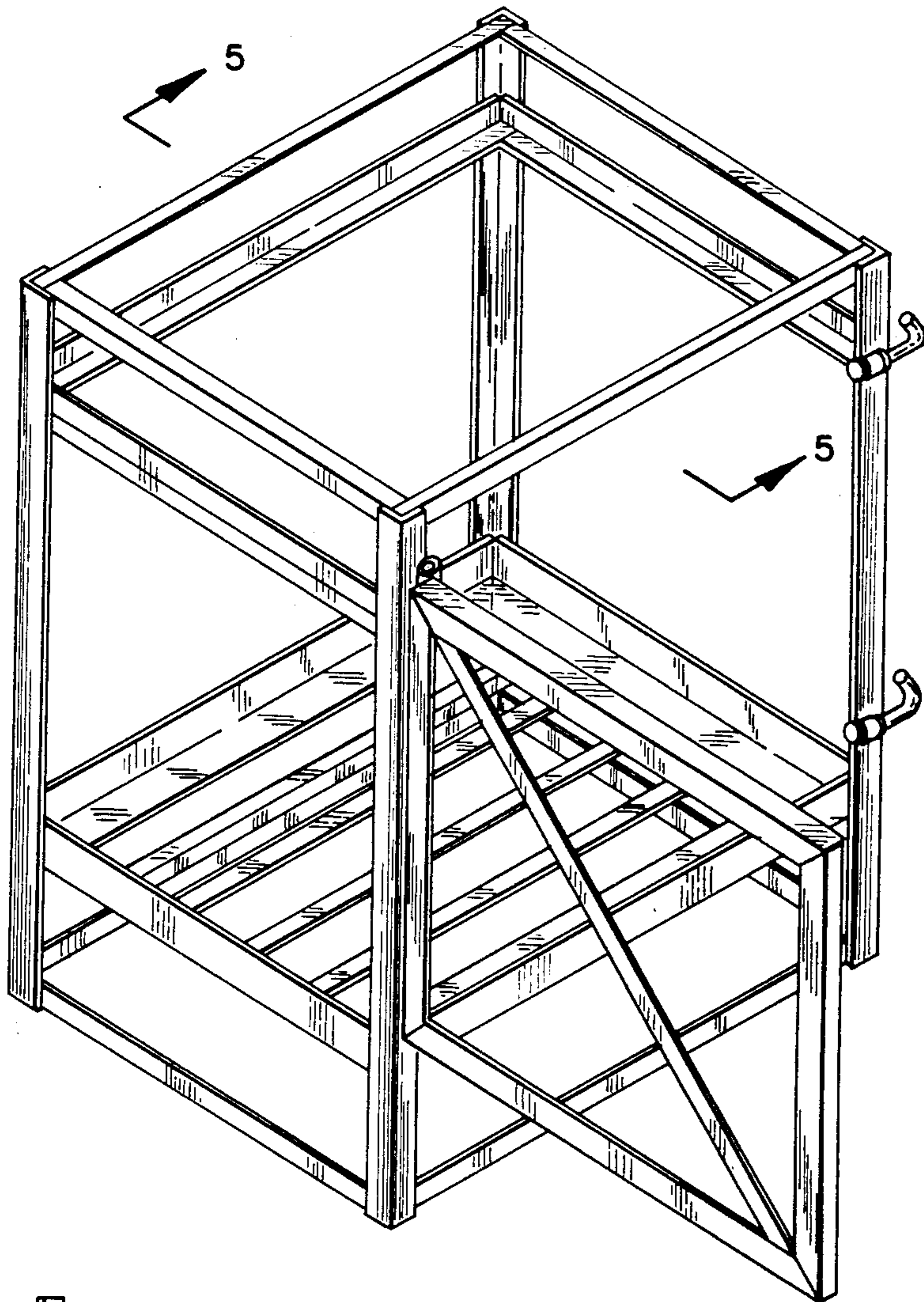


FIG. 2

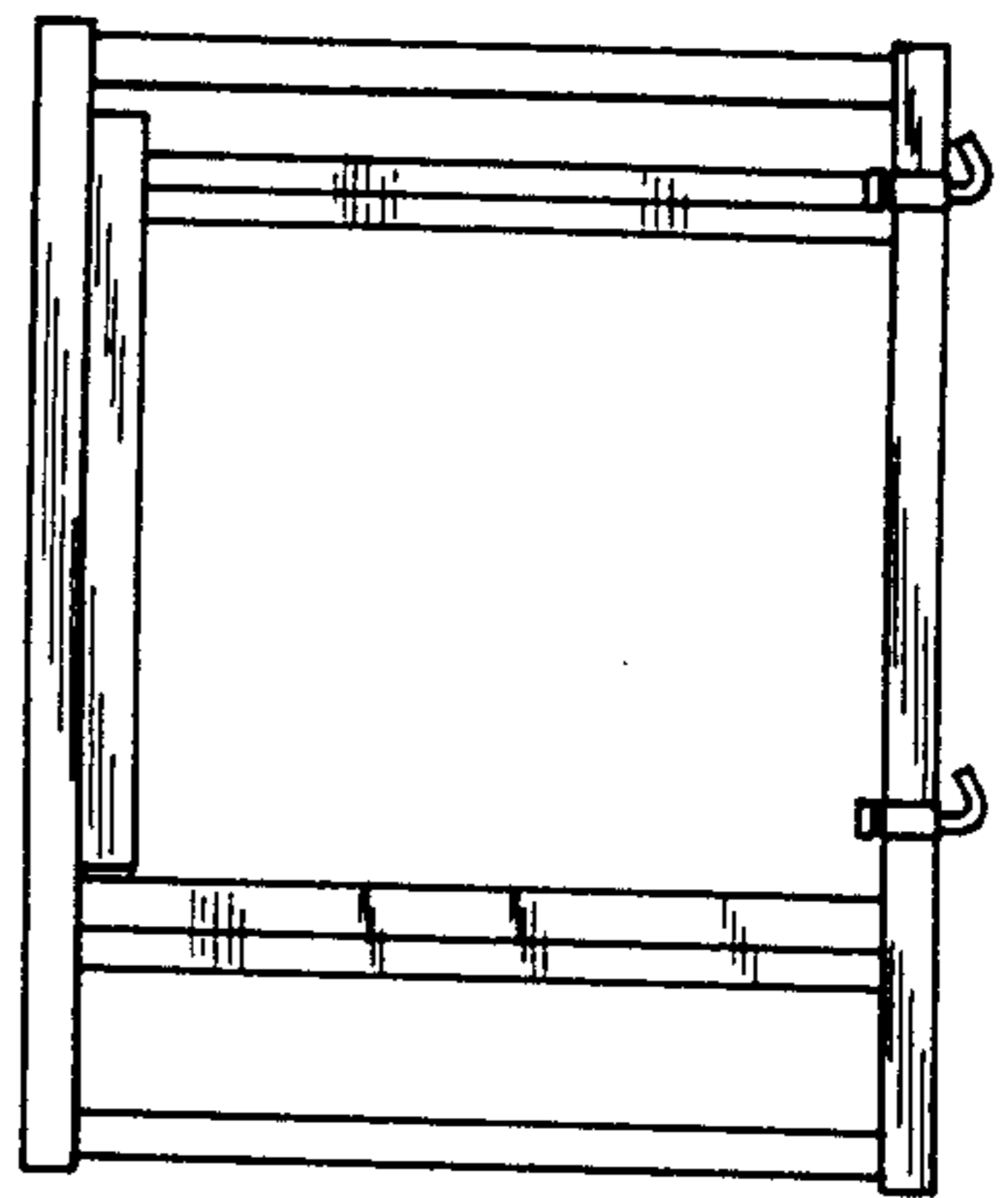


FIG. 3

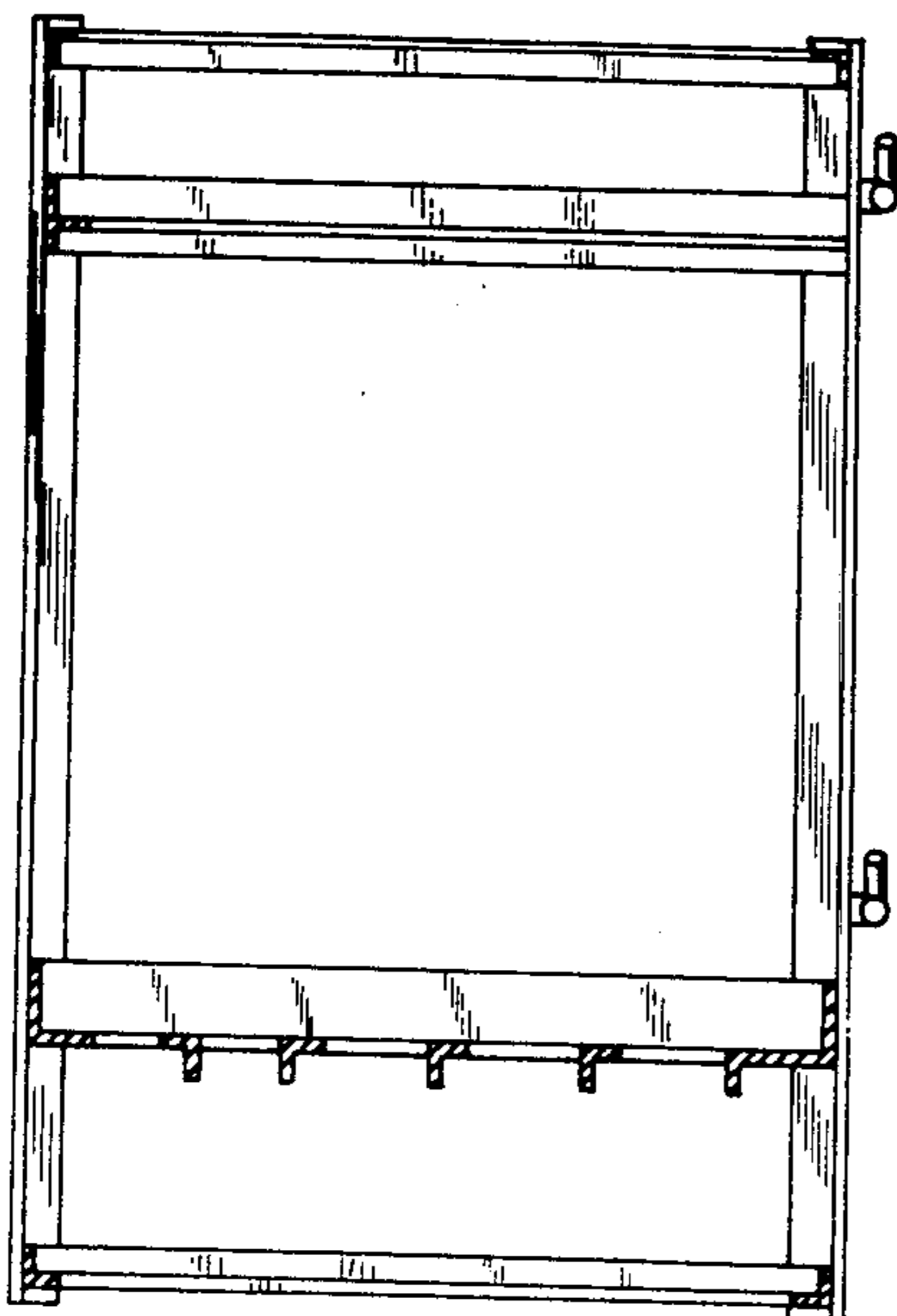


FIG. 5

FIG. 1

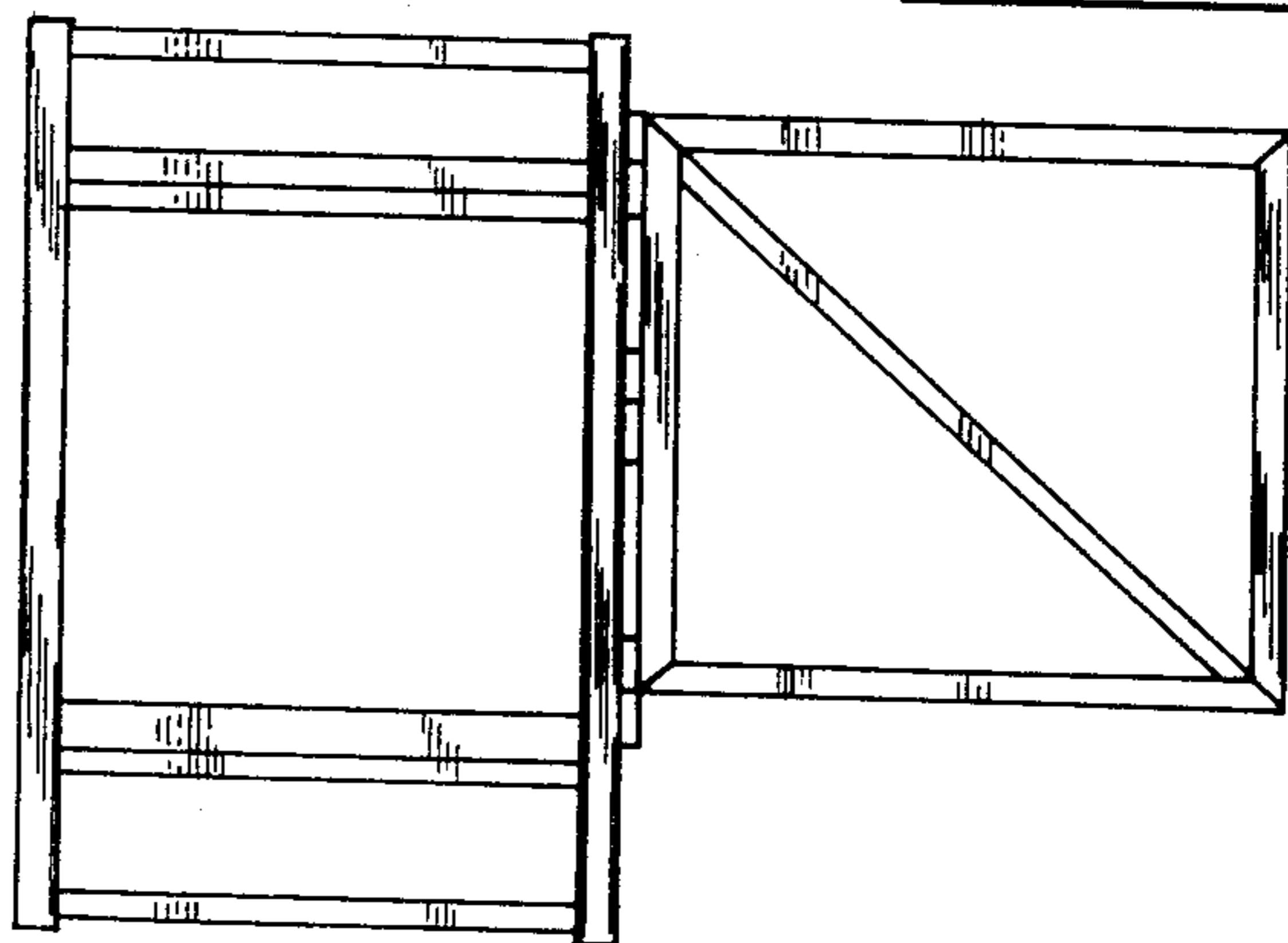


FIG. 4