

- [54] **SCANNER ATTACHMENT UNIT FOR CB TRANSCEIVER**
- [75] **Inventor:** Philip J. Lindemann, Omak, Wash.
- [73] **Assignee:** Lin-Tronics, Inc., Omak, Wash.
- [**] **Term:** 14 Years
- [21] **Appl. No.:** 784,942
- [22] **Filed:** Apr. 5, 1977
- [51] **Int. Cl.** D14-199
- [52] **U.S. Cl.** D14/99; 325/15
- [58] **Field of Search** 325/15, 470, 352, 471, 325/390; D14/99

Primary Examiner—Bernard Ansher
Attorney, Agent, or Firm—John O. Graybeal

[57] **CLAIM**

The ornamental design for a scanner attachment unit for CB transceiver, substantially as shown and described.

DESCRIPTION

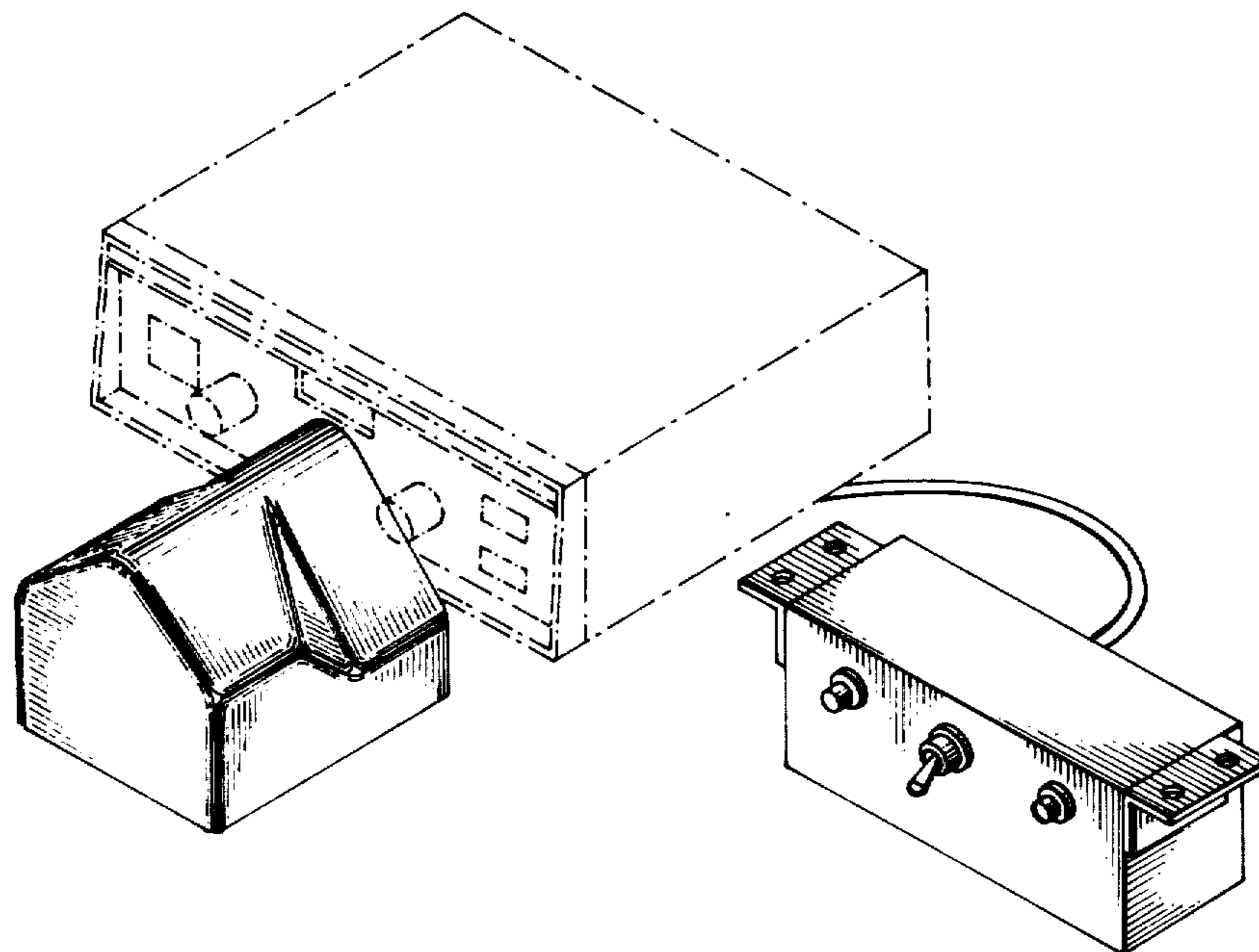
FIG. 1 is an isometric view of a scanner attachment unit showing my new design;
 FIG. 2 is a front elevational view thereof;
 FIG. 3 is a top plan view thereof;
 FIG. 4 is a side elevational view thereof, as viewed from the right side;
 FIG. 5 is a side elevational view thereof, as viewed from the left side;
 FIG. 6 is a rear elevational view thereof; and
 FIG. 7 is a bottom view thereof.

The accompanying figures include a showing in broken lines of a typical CB transceiver to which the unit is attached, such transceiver being thus shown for illustration purposes only.

[56] **References Cited**

U.S. PATENT DOCUMENTS

3,059,184	10/1962	Germain	325/352	X
3,325,593	6/1967	Platt et al.	325/390	X
3,984,779	10/1976	Hughes	325/471	X
3,988,680	10/1976	Kolm	325/393	



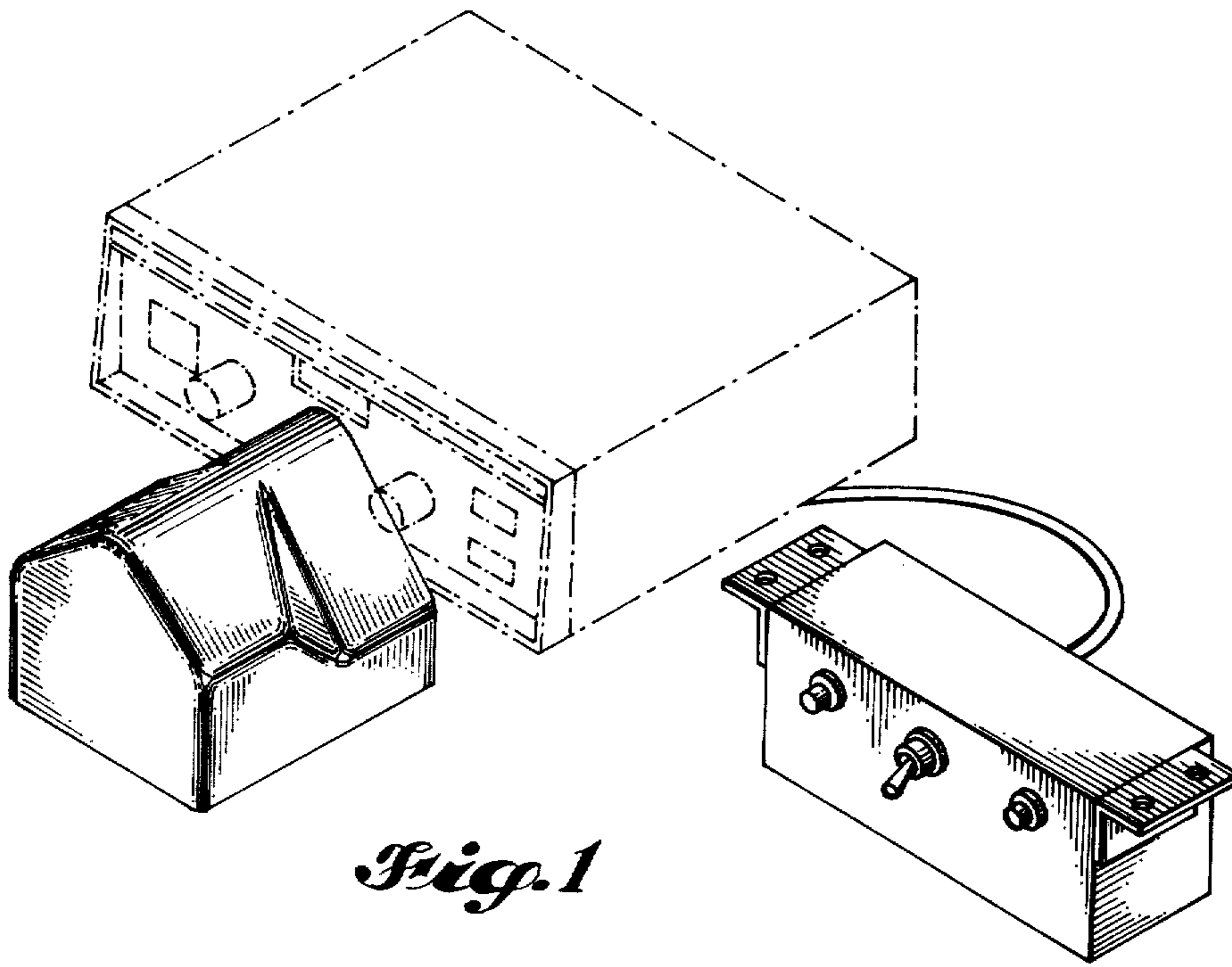


Fig. 1

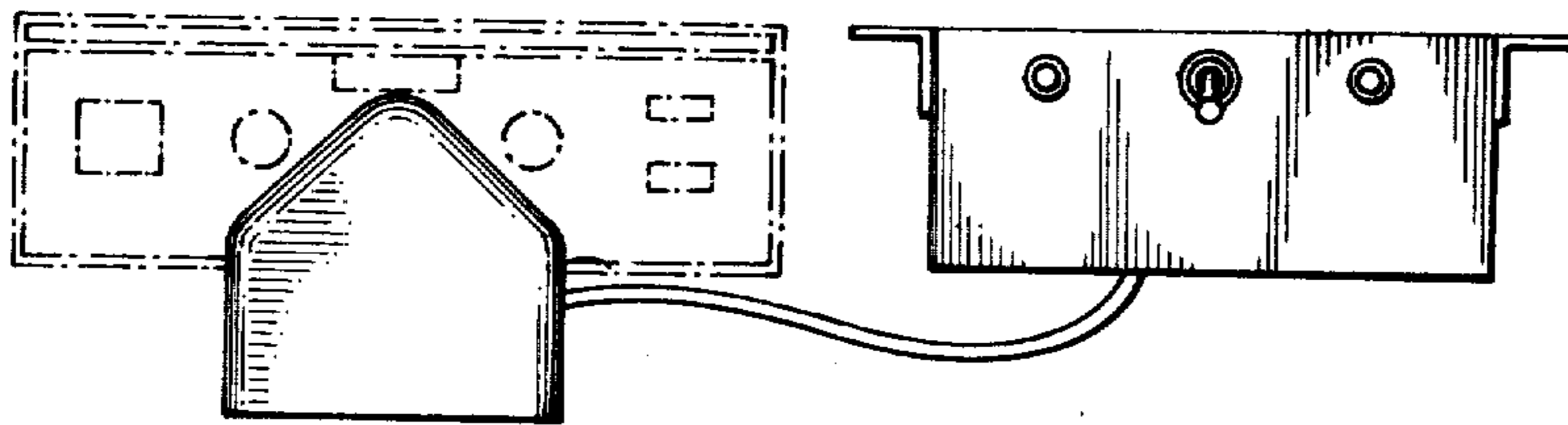


Fig. 2

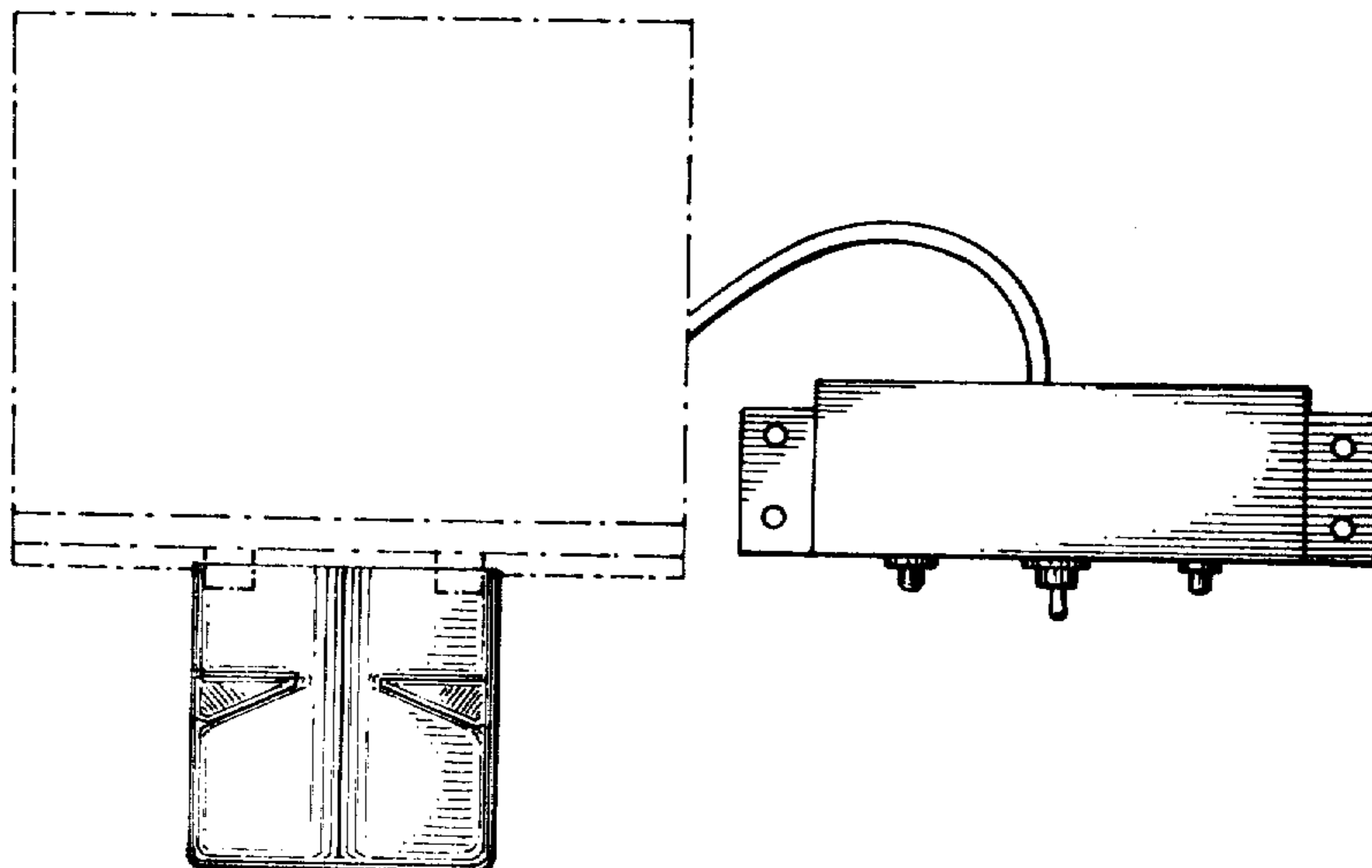


Fig. 3

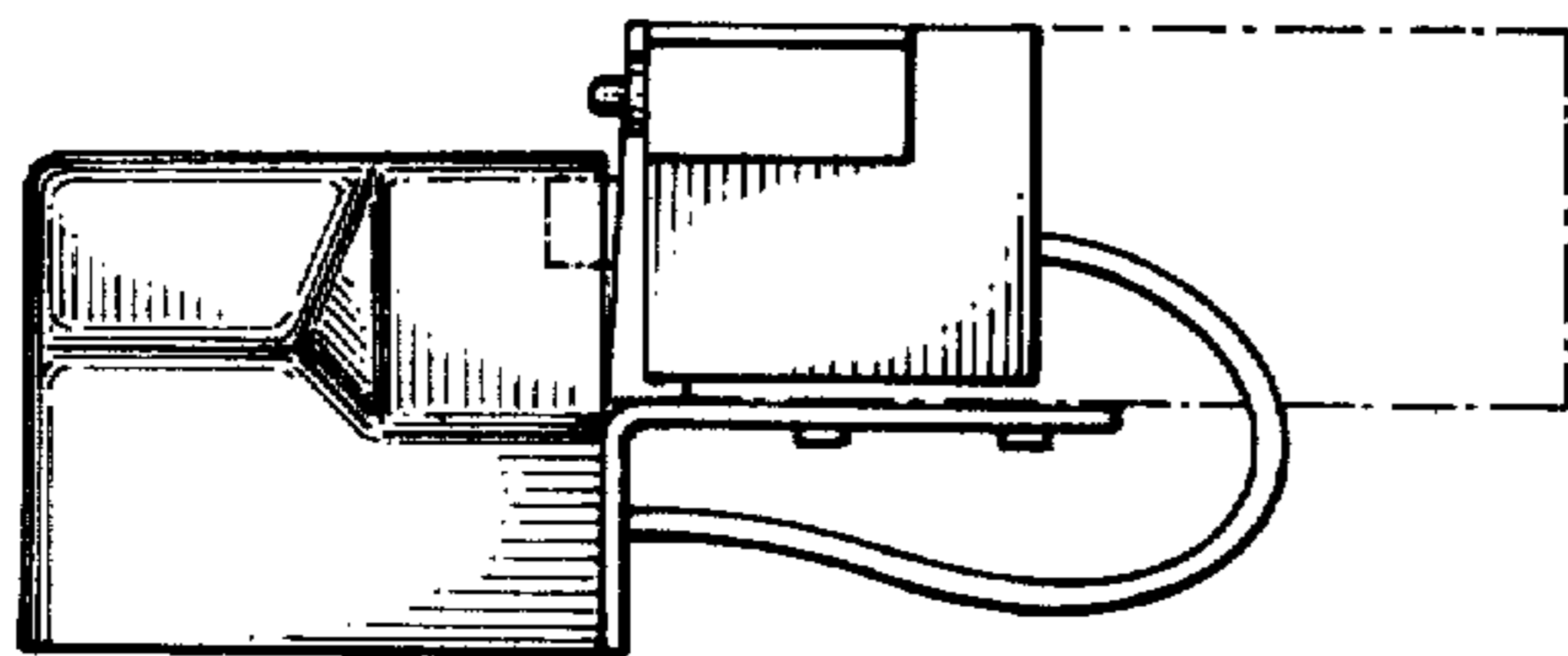


Fig. 4

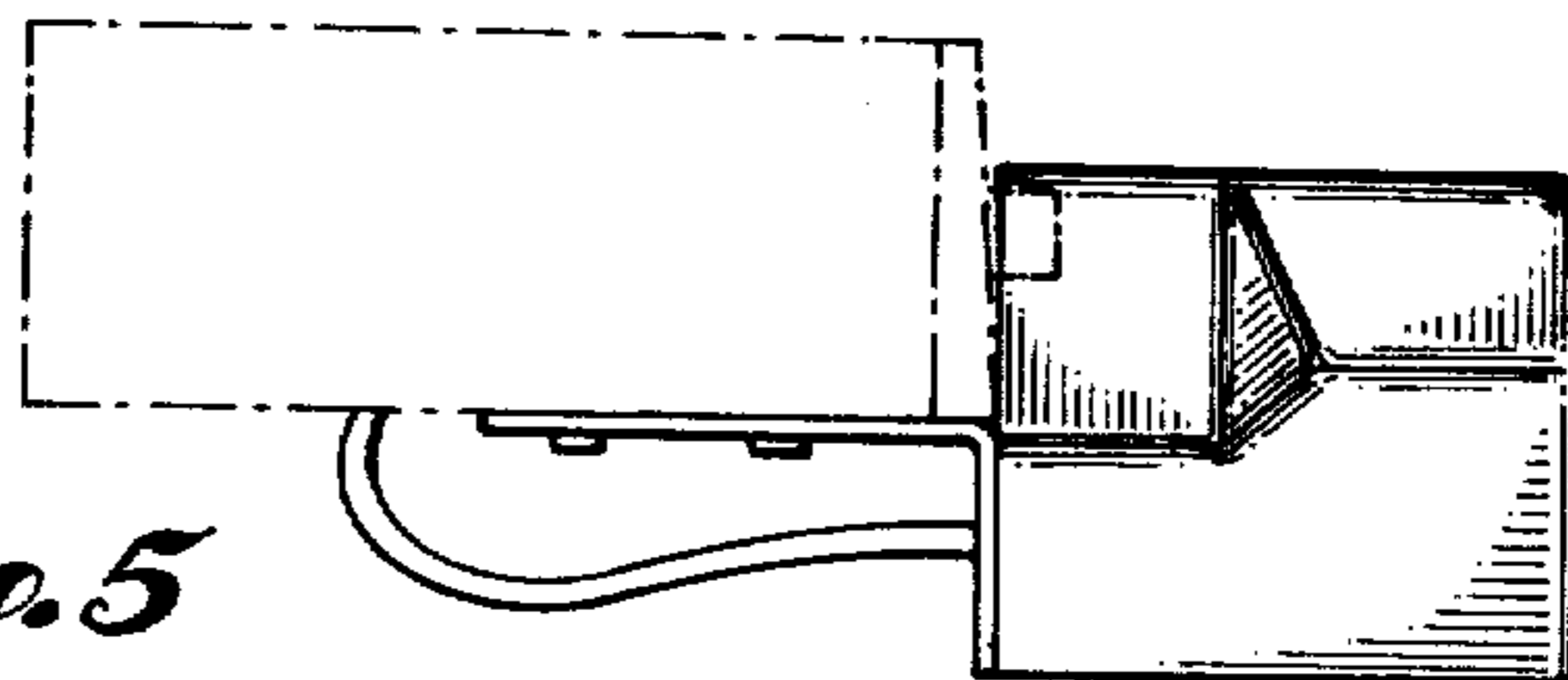


Fig. 5

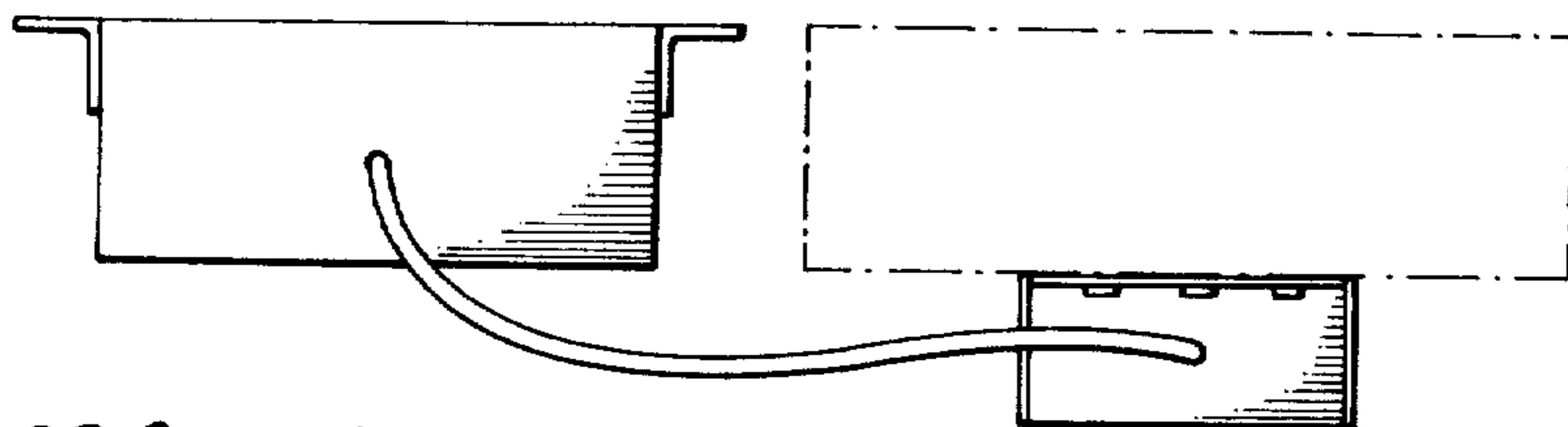


Fig. 6

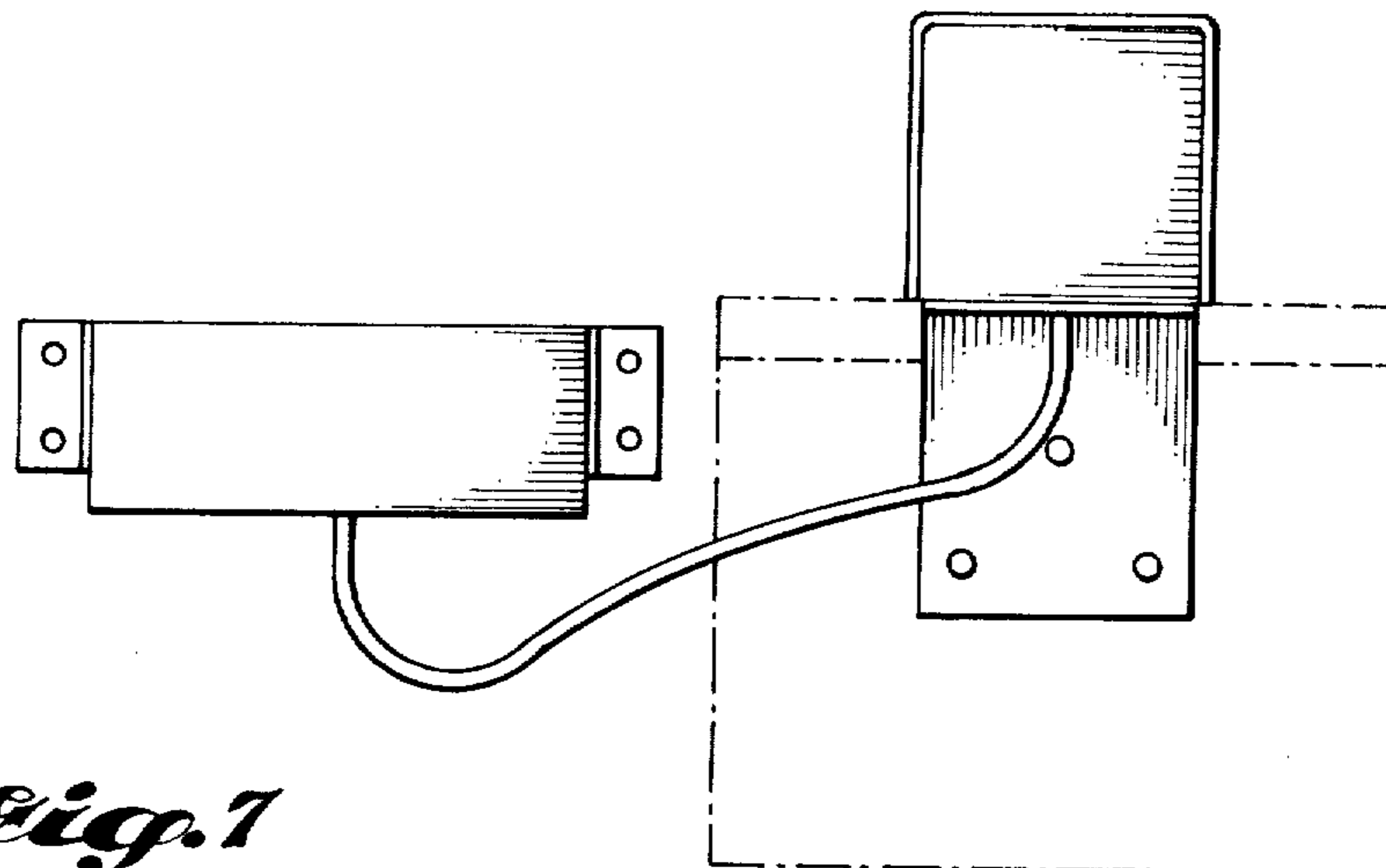


Fig. 7