

[54] MULTI-CONTACT ELECTRICAL CONNECTOR

[75] Inventors: Philip J. Thomas, Costa Mesa; John A. McAllister, Mission Viejo; Roger D. Lang, Irvine, all of Calif.

[73] Assignee: Circuit Assembly Corp., Costa Mesa, Calif.

[**] Term: 14 Years

[21] Appl. No.: 794,762

[22] Filed: May 9, 1977

[51] Int. Cl. D13-03

[52] U.S. Cl. D13/24

[58] Field of Search D13/12, 24, 30; 339/99 R

[56] References Cited

U.S. PATENT DOCUMENTS

D. 218,747 9/1970 Bennett D13/24
3,955,873 5/1976 Peterson 339/99 R

FOREIGN PATENT DOCUMENTS

2,541,441 4/1976 Fed. Rep. of Germany 339/99 R

Primary Examiner—Susan J. Lucas
Attorney, Agent, or Firm—Louis J. Knobbe

[57] CLAIM

The ornamental design for a multi-contact electrical connector, as shown.

DESCRIPTION

FIG. 1 is a top, front, left end perspective view of a multi-contact electrical connector showing our new design; and
FIG. 2 is a bottom, rear, right end perspective view thereof.

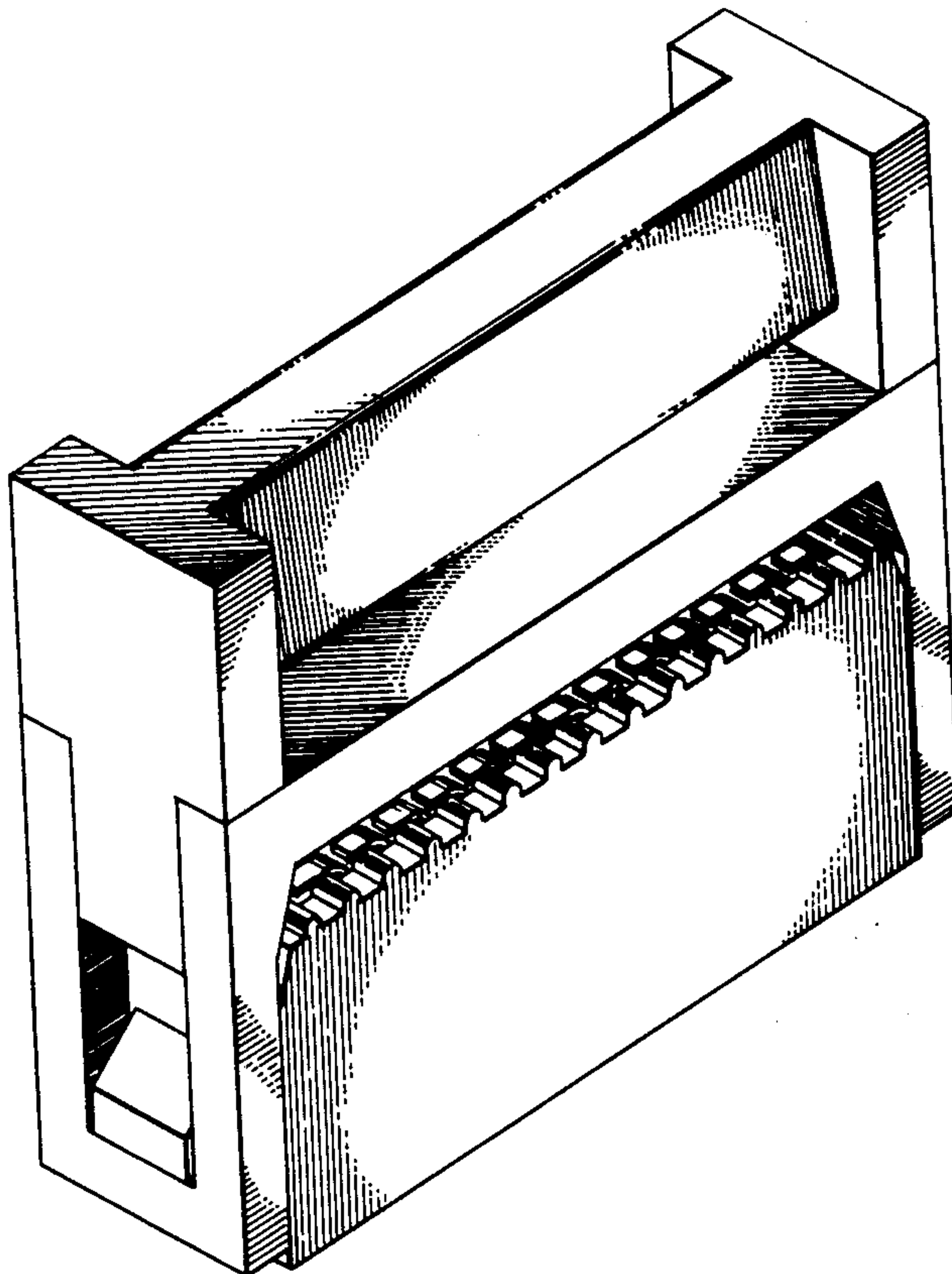


FIG. 1.

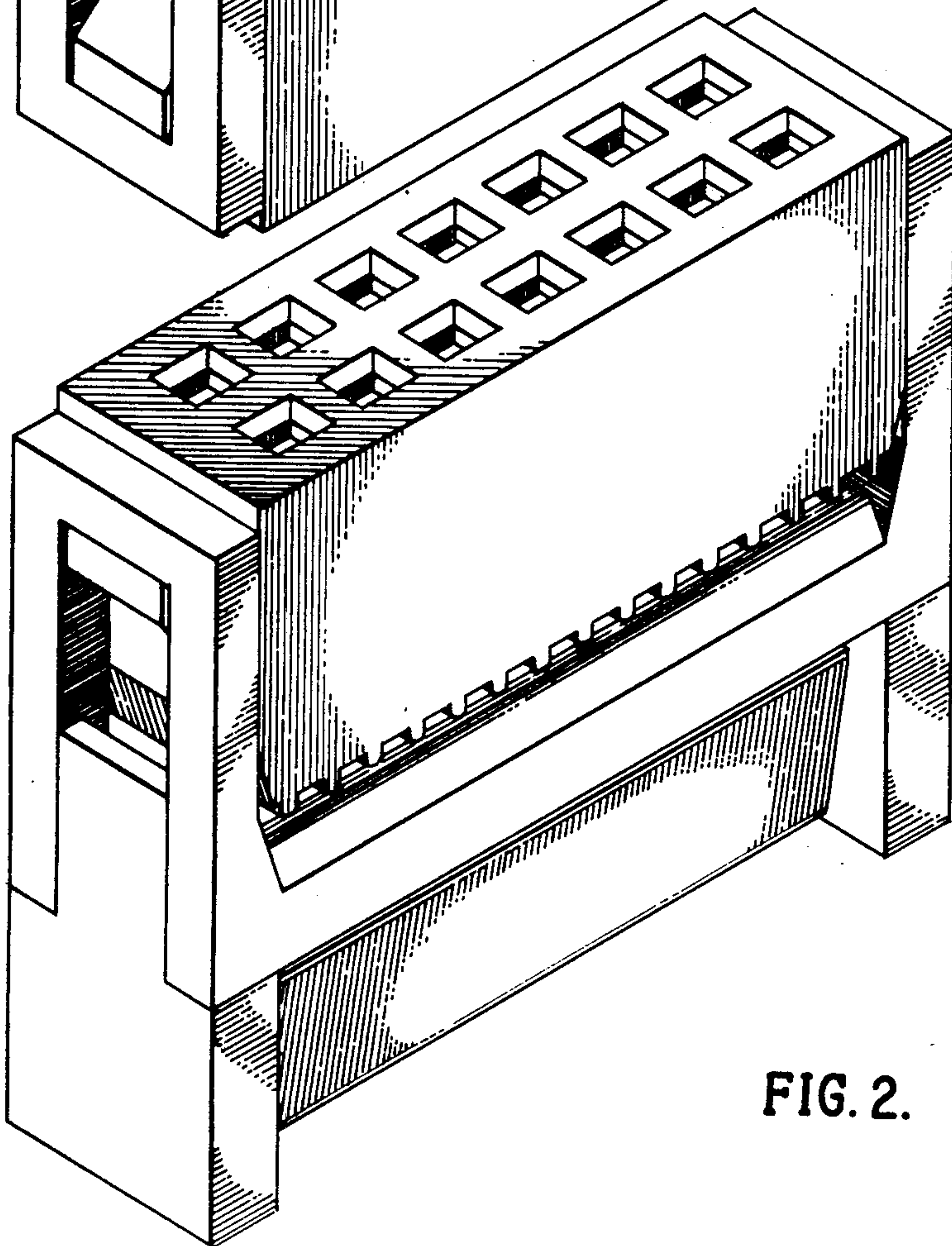
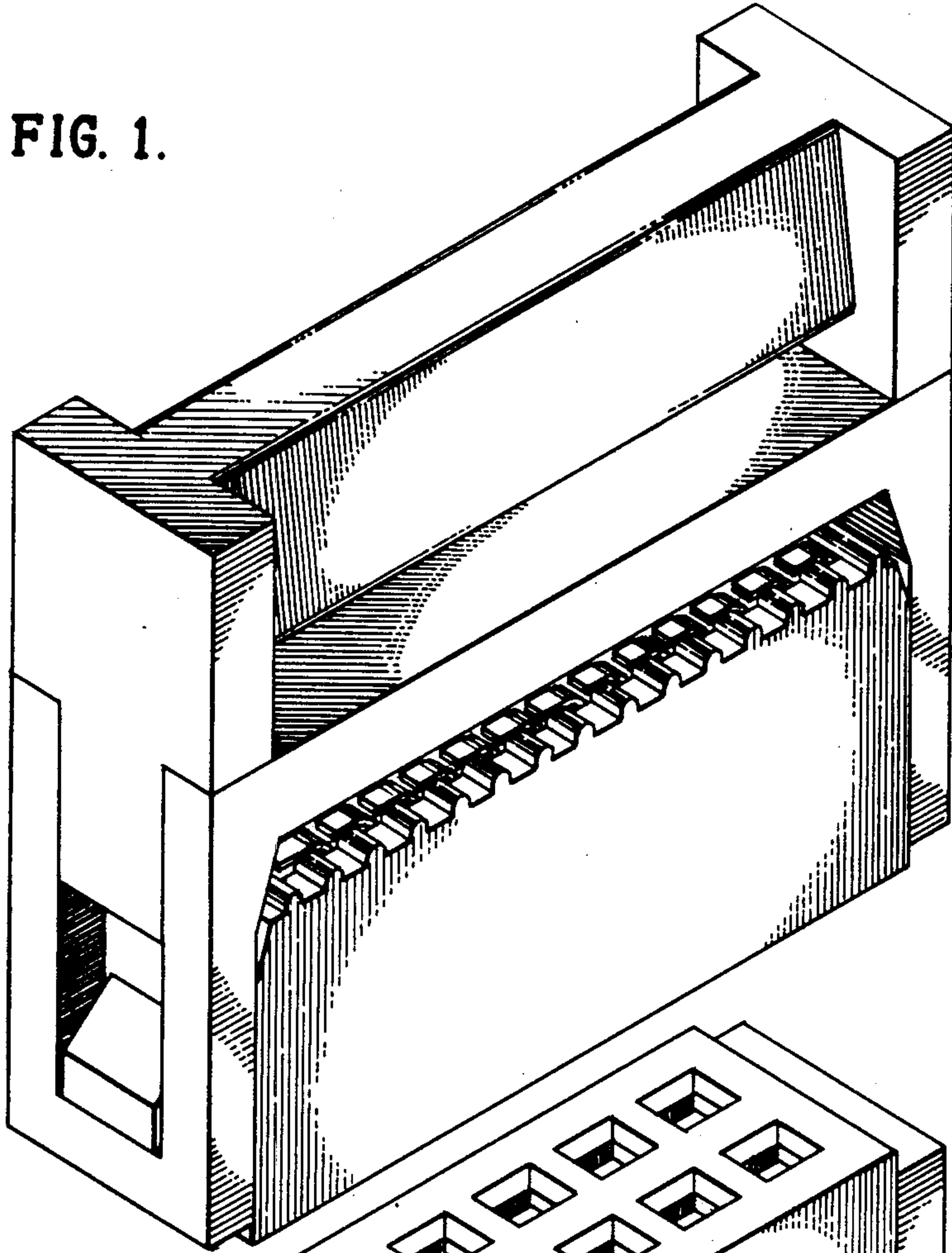


FIG. 2.