

[54] AIR DAM FOR MOTOR HOME

[76] Inventor: Stephen D. Senour, 5106 Kingsley Dr., Indianapolis, Ind. 46205

[**] Term: 7 Years

[21] Appl. No.: 858,465

[22] Filed: Dec. 19, 1977

[51] Int. Cl. D12-16

[52] U.S. Cl. D12/181; D12/169

[58] Field of Search D12/169, 181; 293/70, 293/71 R, 60, 63, 69 R, 69 V; 296/15, 91

[56] References Cited

U.S. PATENT DOCUMENTS

3,850,474 11/1974 Welch 293/71 R

OTHER PUBLICATIONS

J. C. Whitney Catalog No. 362B, p. 70, Custom Fit Air Dam, top center of page.

J. C. Whitney Catalog No. 334, p. 53, Front Spoiler, top left side of page.

Primary Examiner—James M. Gandy

Attorney, Agent, or Firm—Thomas P. Jenkins

[57] CLAIM

The ornamental design for an air dam for a motor home, as shown.

DESCRIPTION

FIG. 1 is a perspective view of an air dam for a motor home showing my new design, it being understood that the fragmentary broken line showing of the motor home is for illustrative purposes only;

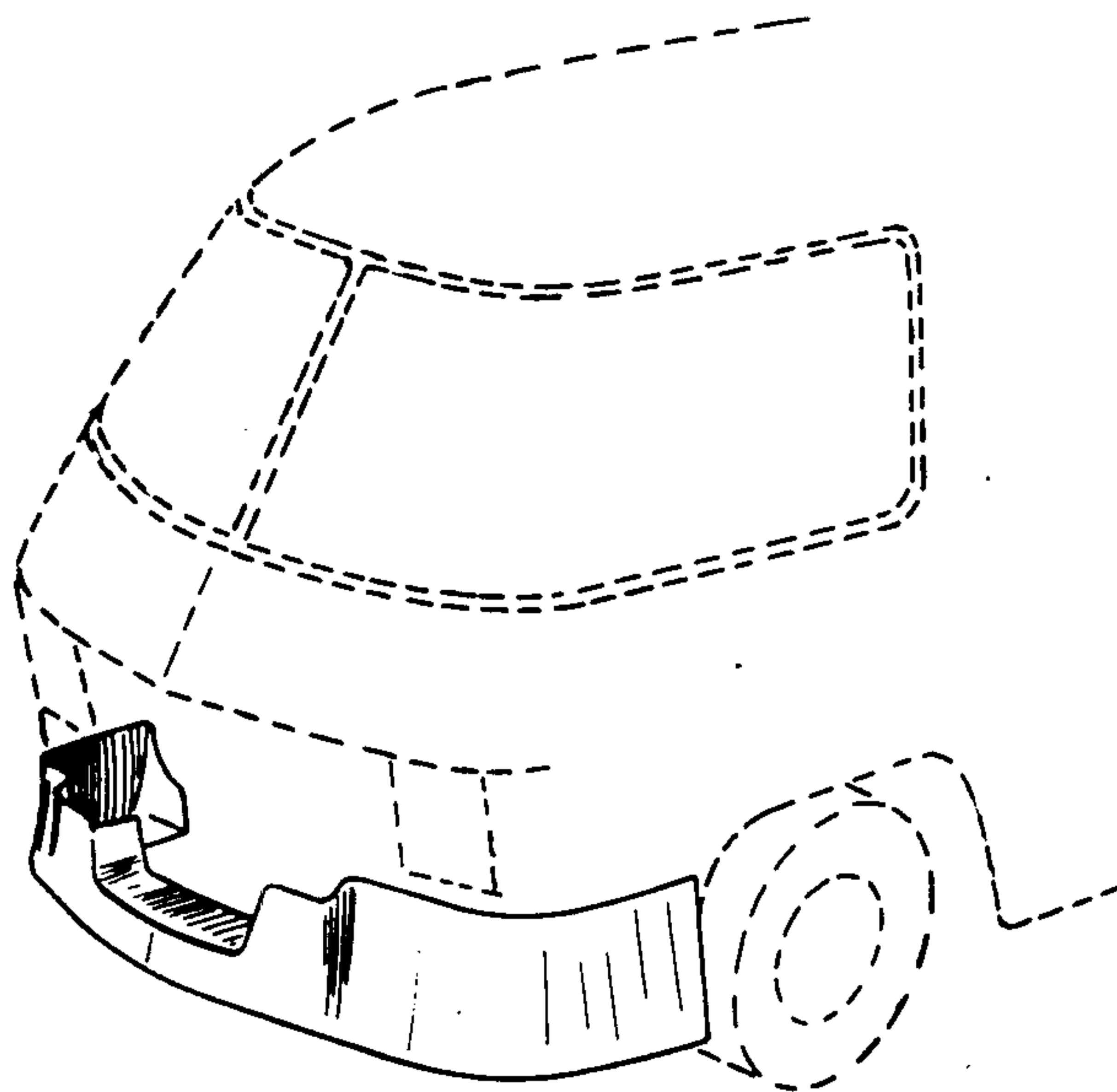
FIG. 2 is an enlarged front elevational view thereof;

FIG. 3 is a side elevational view of FIG. 2, the opposite side being a mirror image of the side shown herein;

FIG. 4 is a top plan view of FIG. 2;

FIG. 5 is a rear elevational view of FIG. 2; and

FIG. 6 is a bottom plan view of FIG. 2.



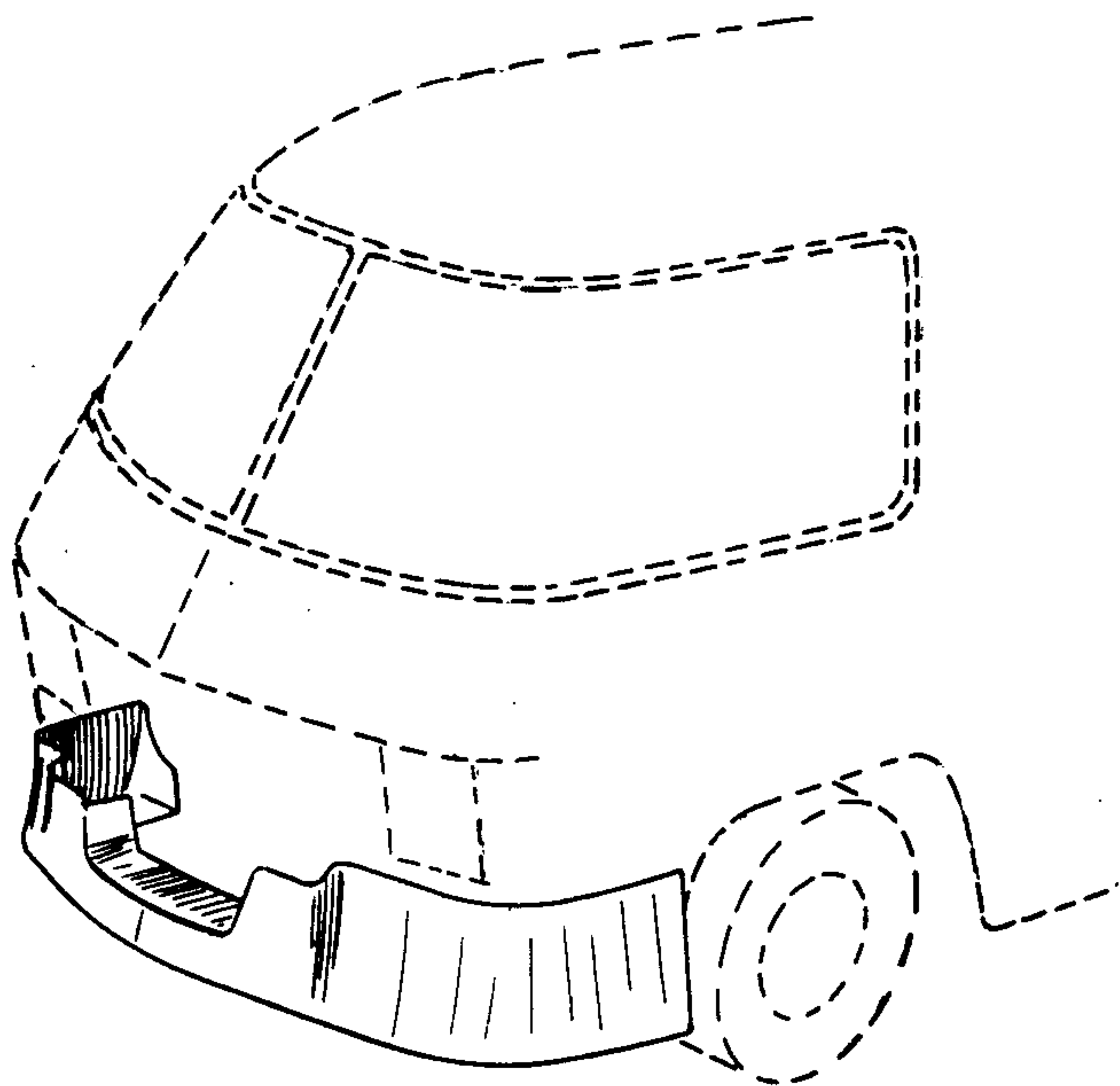


FIG. 1

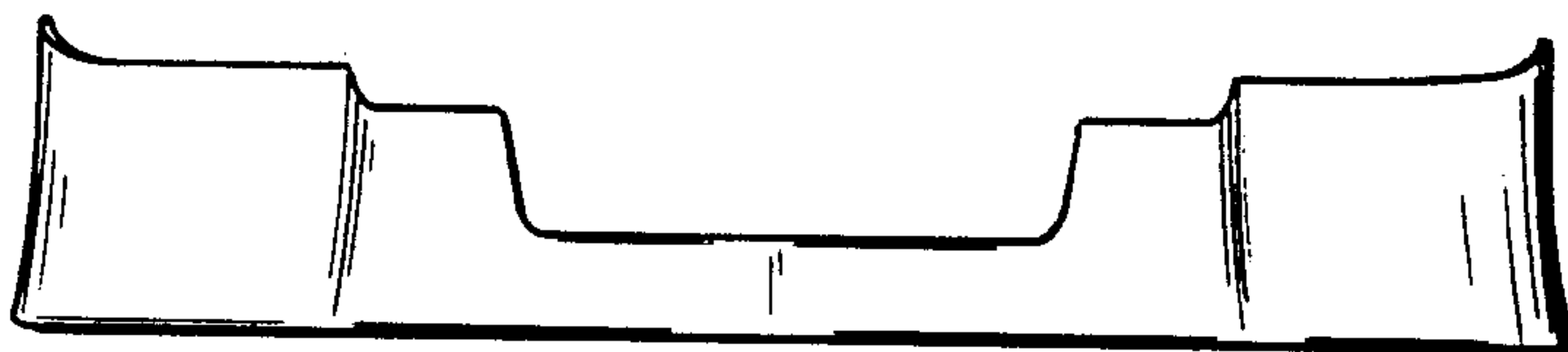


FIG. 2

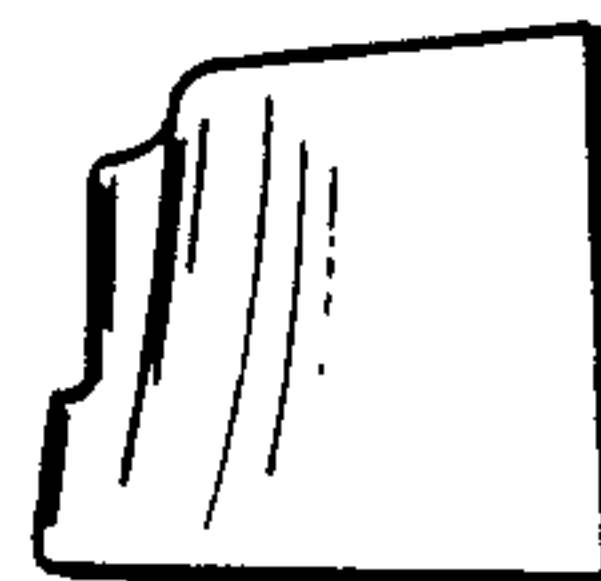


FIG. 3



FIG. 4

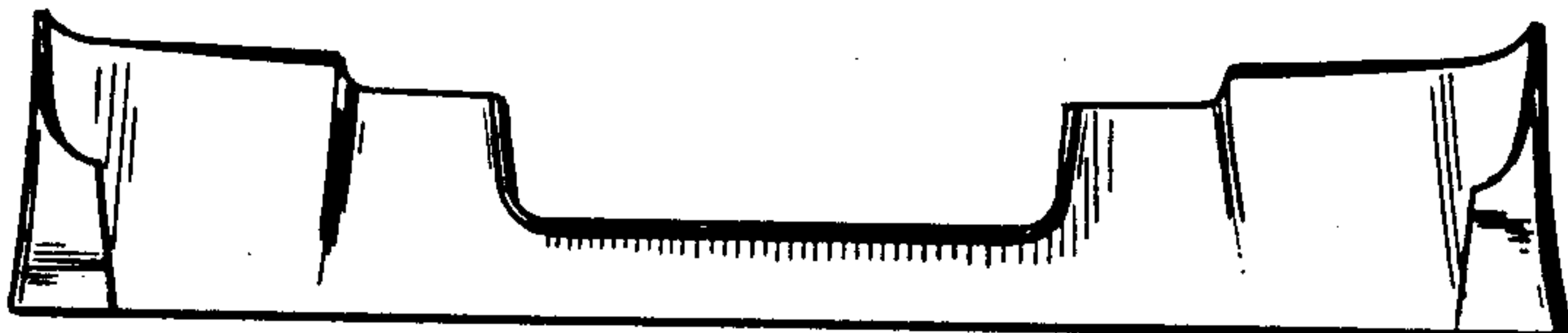


FIG. 5



FIG. 6