

[54] INDUSTRIAL CRANE

[75] Inventor: John L. Grove, Greencastle, Pa.

[73] Assignee: JLG Industries, Inc.,
McConnellsburg, Pa.

[**] Term: 14 Years

[21] Appl. No.: 833,412

[22] Filed: Sep. 15, 1977

[51] Int. Cl. D12-05

[52] U.S. Cl. D12/57

[58] Field of Search D12/57; 212/38, 59,
212/35, 145

[56] References Cited

U.S. PATENT DOCUMENTS

D. 205,031 6/1966 Grove D12/57

FOREIGN PATENT DOCUMENTS

2544525 5/1976 Fed. Rep. of Germany 212/59 R

OTHER PUBLICATIONS

Hy-Dynamic Brochure, 8/22/67, p. 1, Crane Model 250-C, bottom of page.
Industrial Equipment News, 5/69, p. 83, Crane, bottom of page.

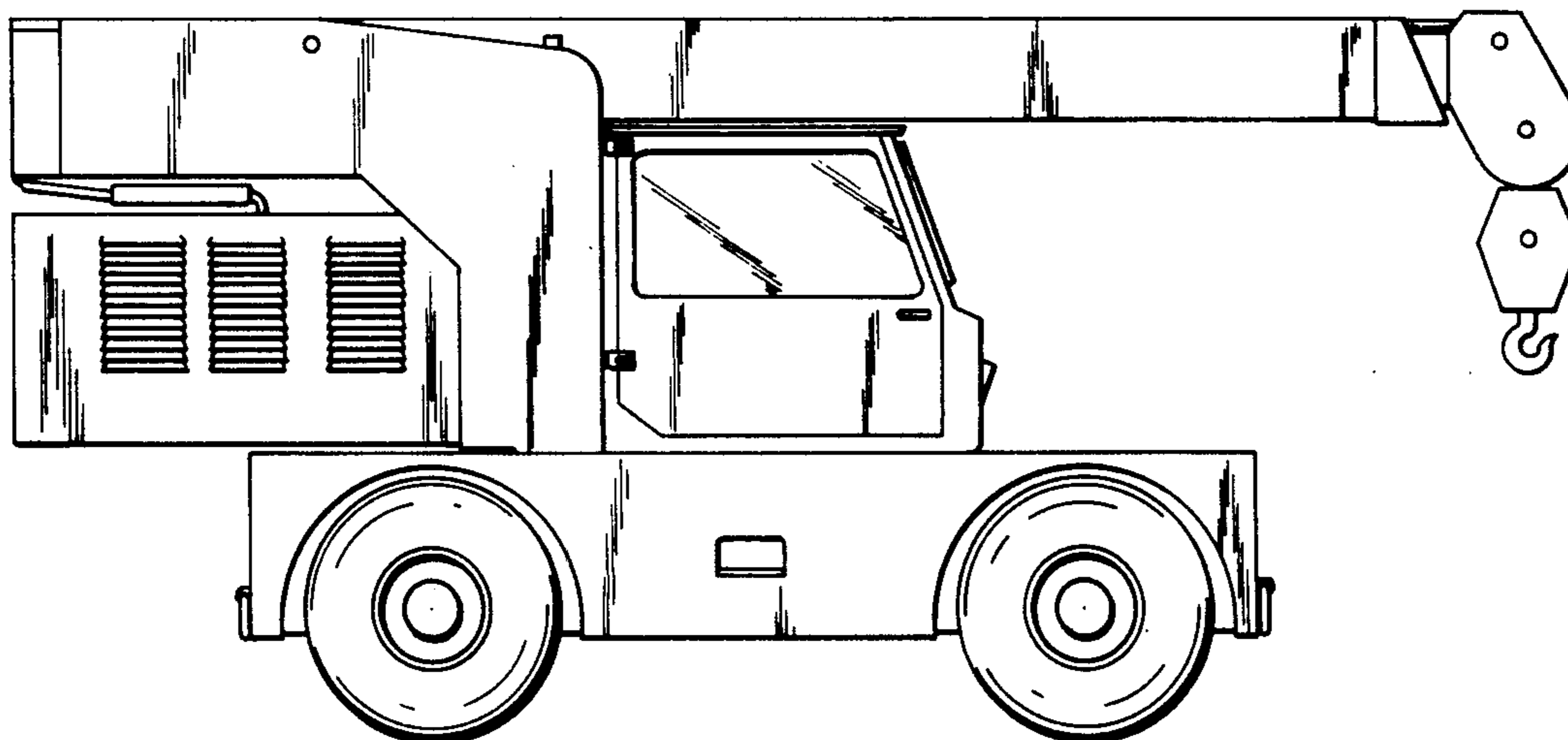
Primary Examiner—James M. Gandy
Attorney, Agent, or Firm—Irvin A. Lavine

[57] CLAIM

The ornamental design for an industrial crane, as shown.

DESCRIPTION

FIG. 1 is a side elevational view of an industrial crane showing my new design, the opposite side being substantially a mirror image thereof.
FIG. 2 is a top plan view thereof.
FIG. 3 is a front elevational view thereof.
FIG. 4 is a rear elevational view thereof.



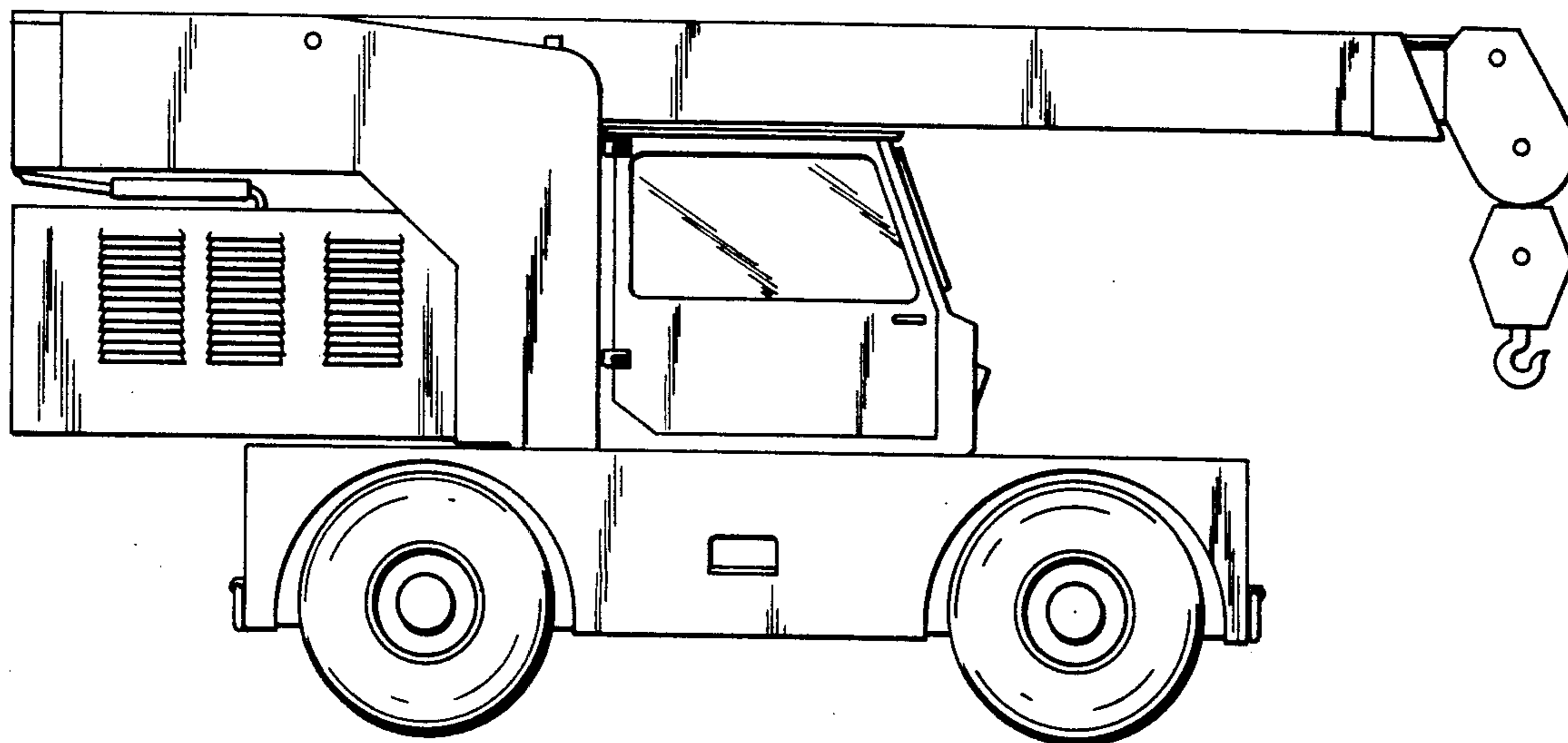


FIG. 1

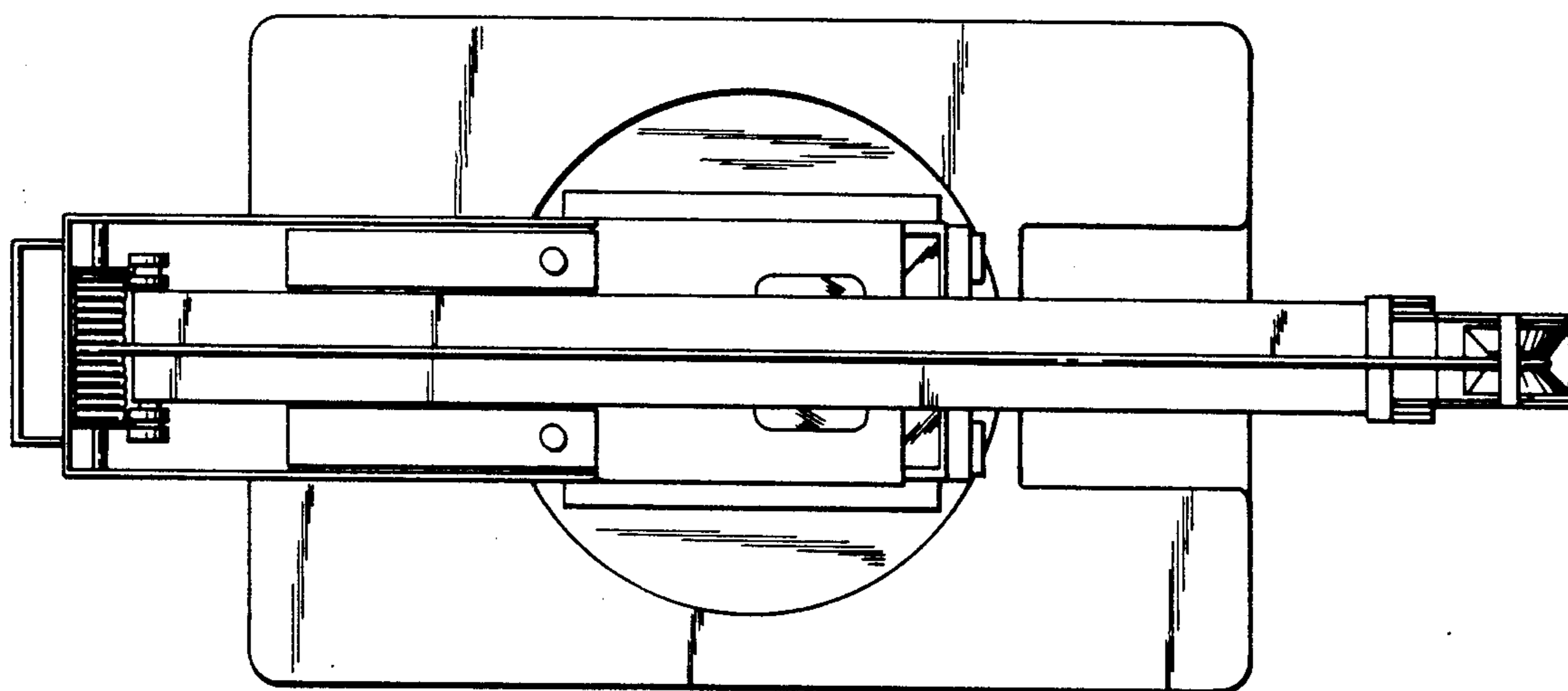


FIG. 2

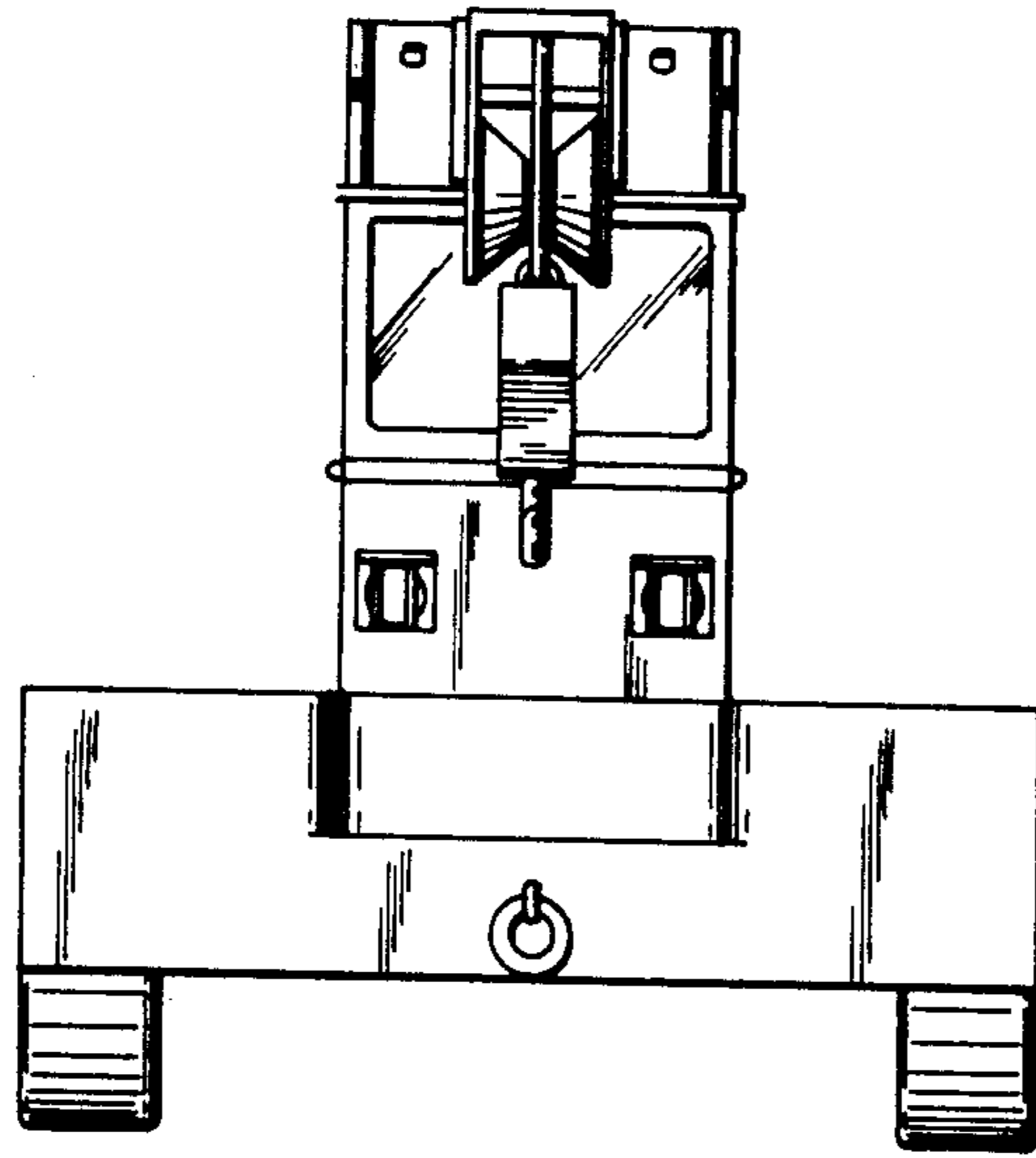


FIG. 3

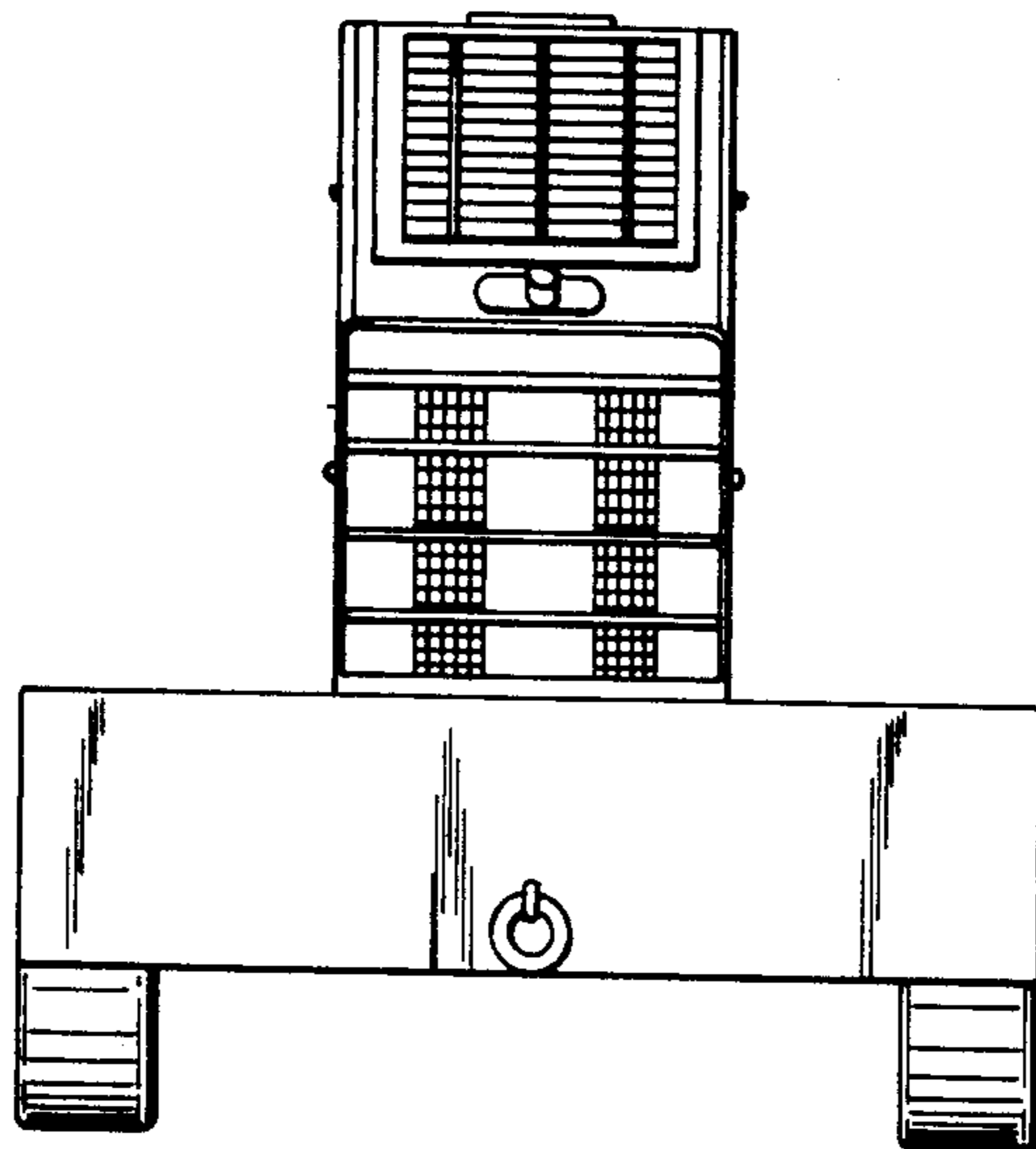


FIG. 4