

[54] TRUCK MOUNTED CRANE

[75] Inventor: John L. Grove, Greencastle, Pa.

[73] Assignee: JLG Industries, Inc.,
McConnellsburg, Pa.

[**] Term: 14 Years

[21] Appl. No.: 796,294

[22] Filed: May 12, 1977

[51] Int. Cl. D12-05

[52] U.S. Cl. D12/56

[58] Field of Search D12/57, 54, 61, 56;
212/38, 59, 145, 35

[56] References Cited

U.S. PATENT DOCUMENTS

- D. 205,031 6/1966 Grove D12/57
- D. 245,076 7/1977 Haswell D12/57

OTHER PUBLICATIONS

Construction Methods & Equipment, 3/76, p. 88,
Crane.

Primary Examiner—James M. Gandy
Attorney, Agent, or Firm—Irvin A. Lavine

[57] CLAIM

The ornamental design for a truck mounted crane, as
shown and described.

DESCRIPTION

FIG. 1 is a side elevational view of a truck mounted
crane showing my new design, the opposite side being
substantially a mirror image thereof.

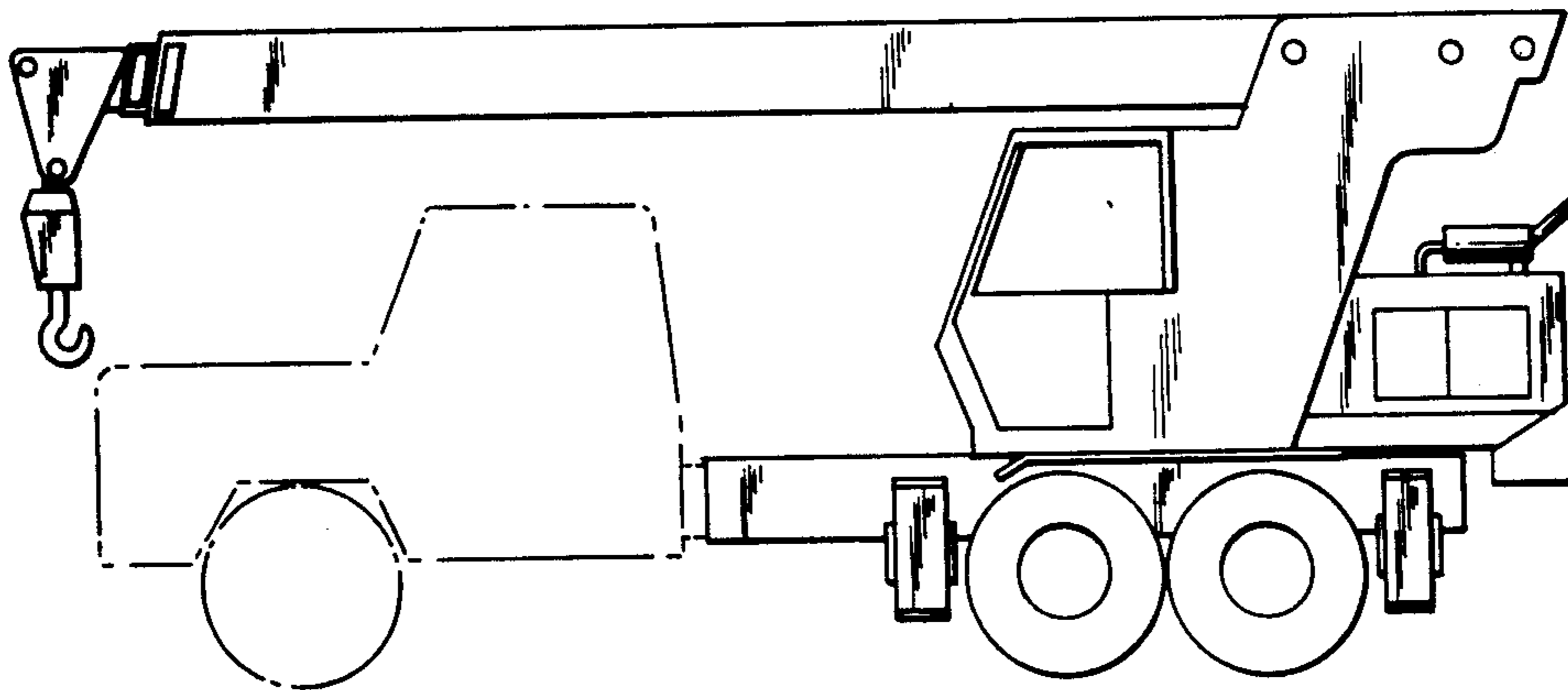
FIG. 2 is a top plan view thereof.

FIG. 3 is a bottom plan view thereof.

FIG. 4 is a front elevational view thereof.

FIG. 5 is a rear elevational view thereof.

The broken lines in the drawing are for illustrative
purposes only.



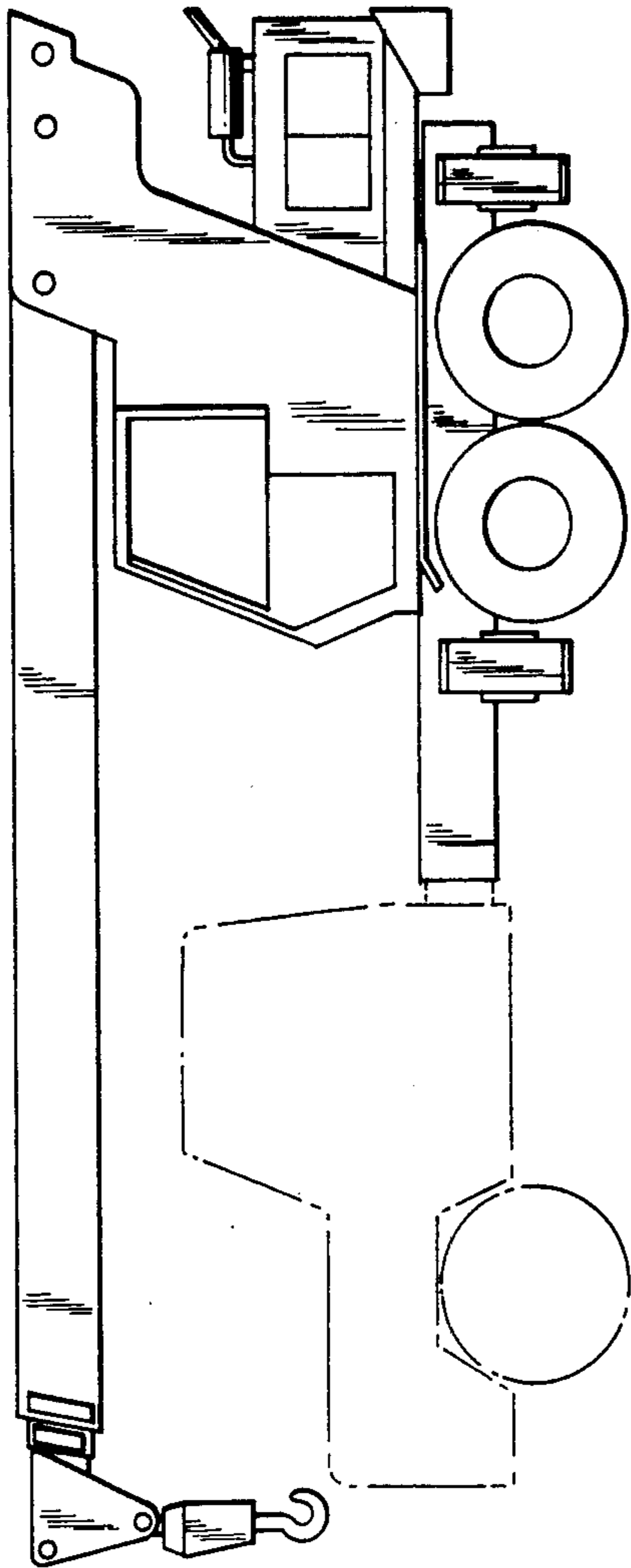


FIG. 1

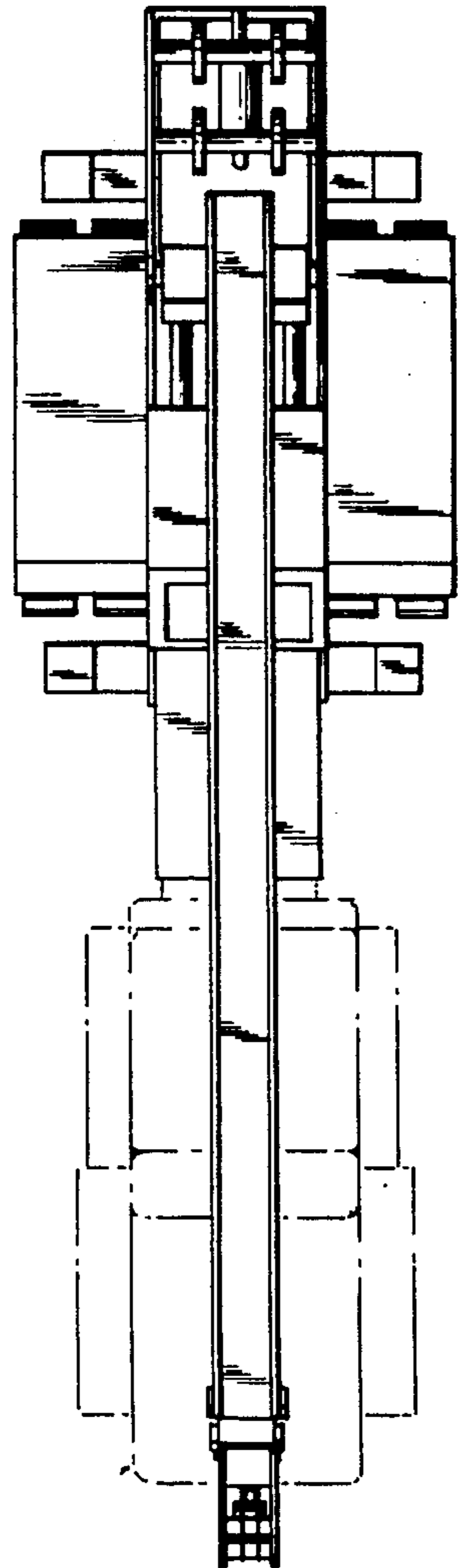


FIG. 2

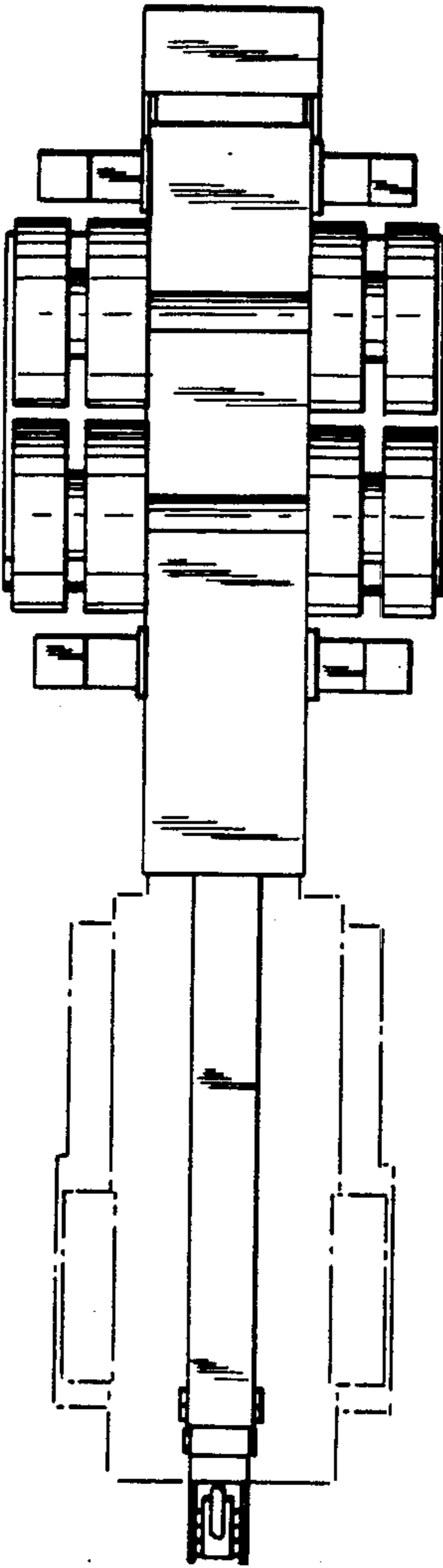


FIG. 3

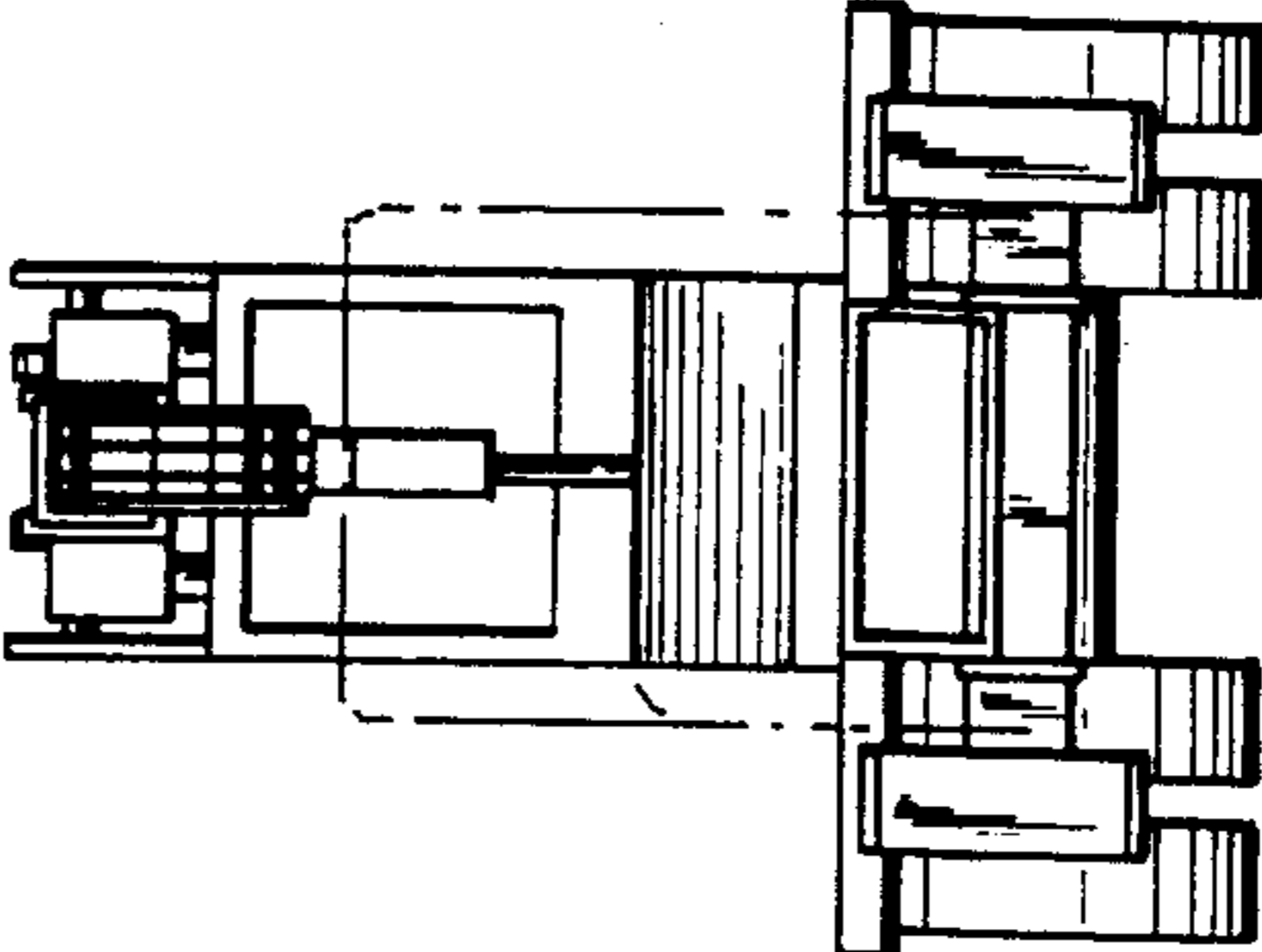


FIG. 4

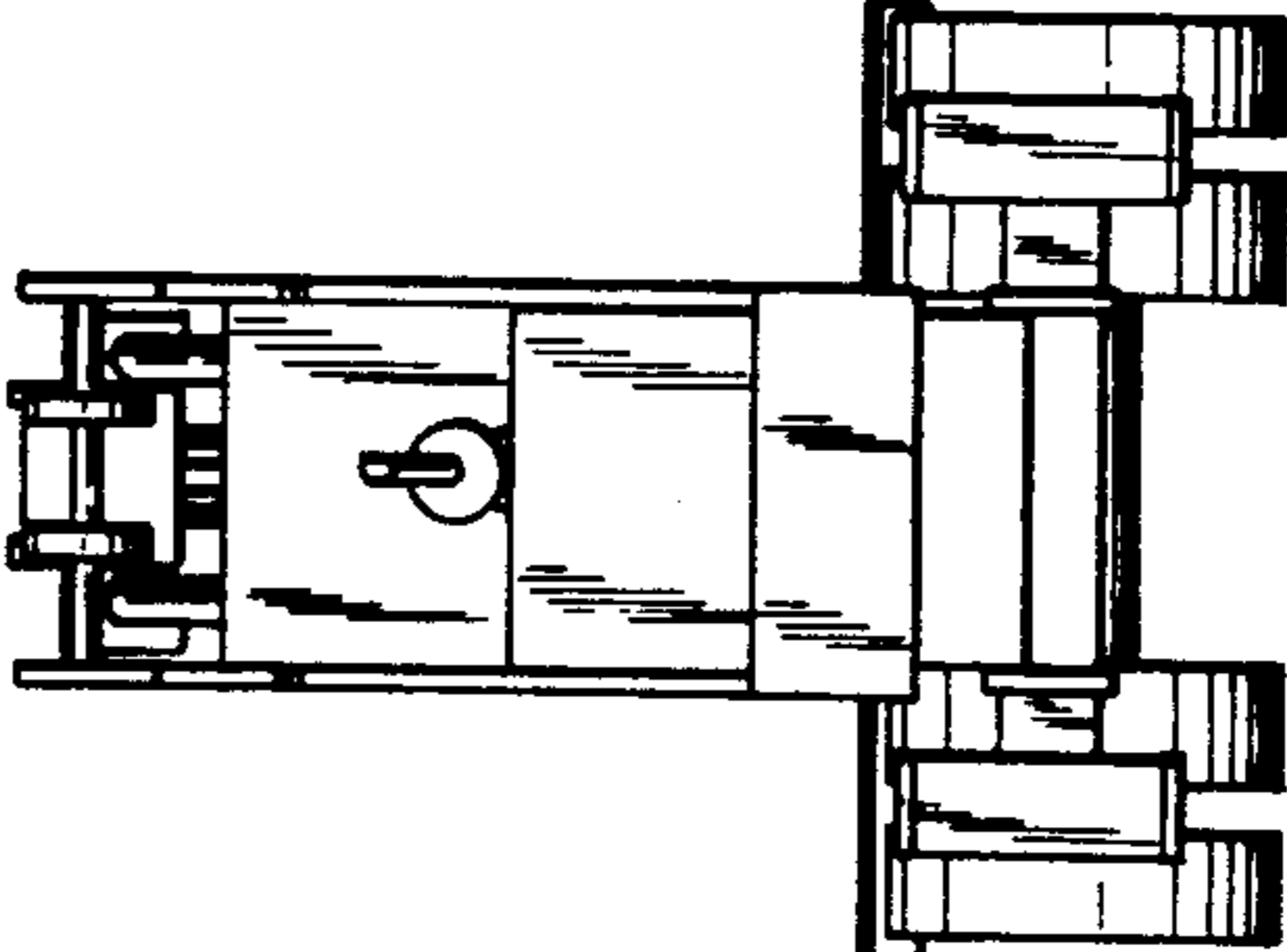


FIG. 5