

[54] **MOBILE BARBEQUE PIT**

[76] Inventor: **Henry E. Adams**, 3011 South Blvd.,
Apt. 201, Dallas, Tex. 75215

[**] Term: **14 Years**

[21] Appl. No.: **840,660**

[22] Filed: **Oct. 11, 1977**

[51] Int. Cl. **D7-02**

[52] U.S. Cl. **D7/108**

[58] Field of Search **D7/107, 108, 109, 110;**
D12/1, 22, 32-34, 25, 27, 28; 126/25 R, 25 A,
25 AA, 25 B, 25 C, 29, 30, 9 R, 9 A, 9 B, 268,
276; 99/421, 341; 219/346, 386

[56] **References Cited**
U.S. PATENT DOCUMENTS
D. 218,654 9/1970 Moncrief **D7/108**

D. 240,494 7/1976 Beasley **D7/108**
3,696,803 10/1972 Holloway, Jr. **126/276**

Primary Examiner—Wallace R. Burke
Assistant Examiner—Catherine Kemper
Attorney, Agent, or Firm—Warren H. Kintzinger

[57] **CLAIM**

The ornamental design for a mobile barbeque pit, substantially as shown and described.

DESCRIPTION

FIG. 1 is a side elevational view of a mobile barbeque pit showing my new design;
FIG. 2 a rear elevational view thereof;
FIG. 3 is an elevational view of the side opposite that shown in FIG. 1;
FIG. 4 a front elevational view thereof;
FIG. 5 a top plan view thereof; and
FIG. 6 a bottom plan view thereof.

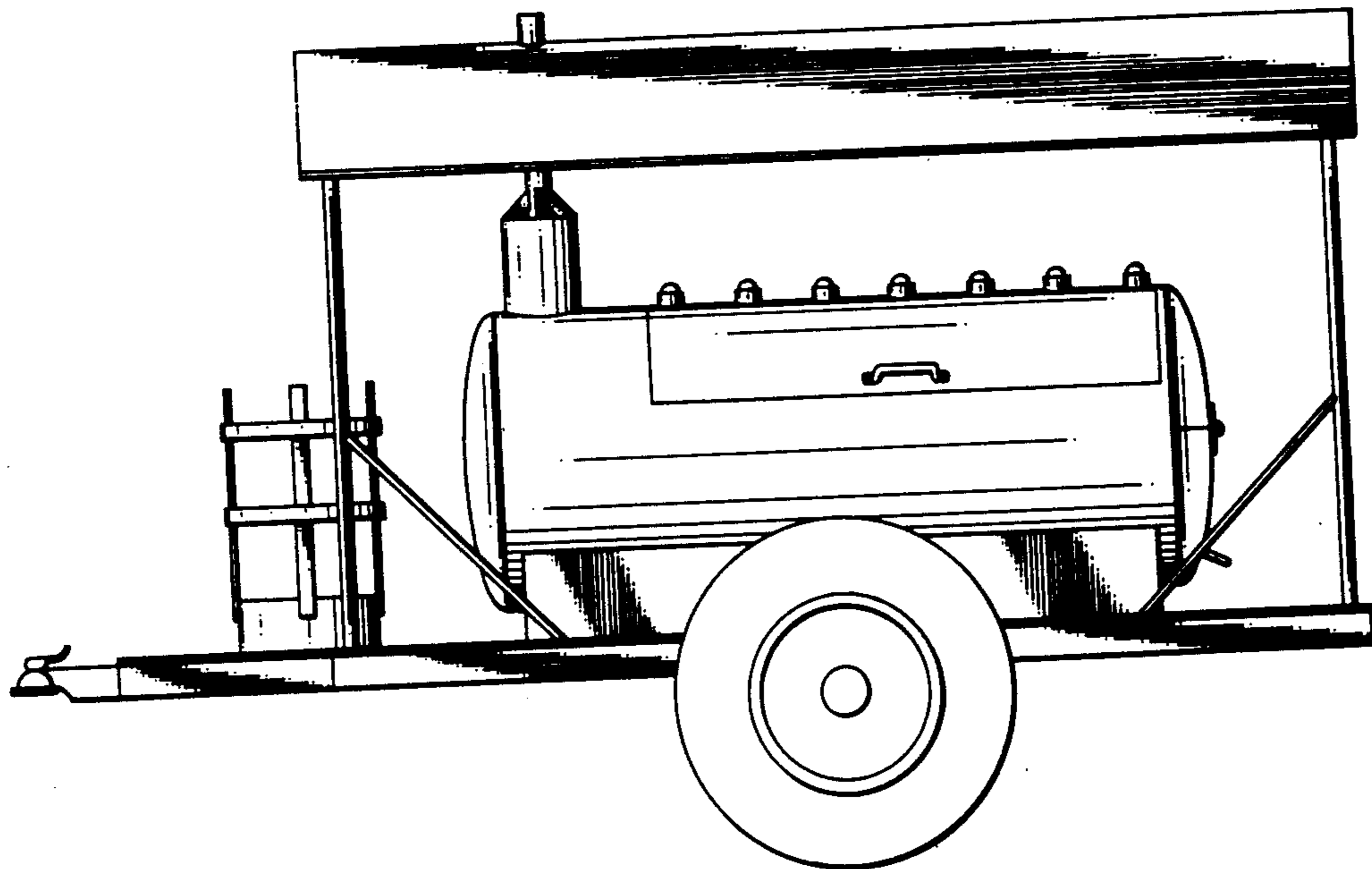


FIG. 1

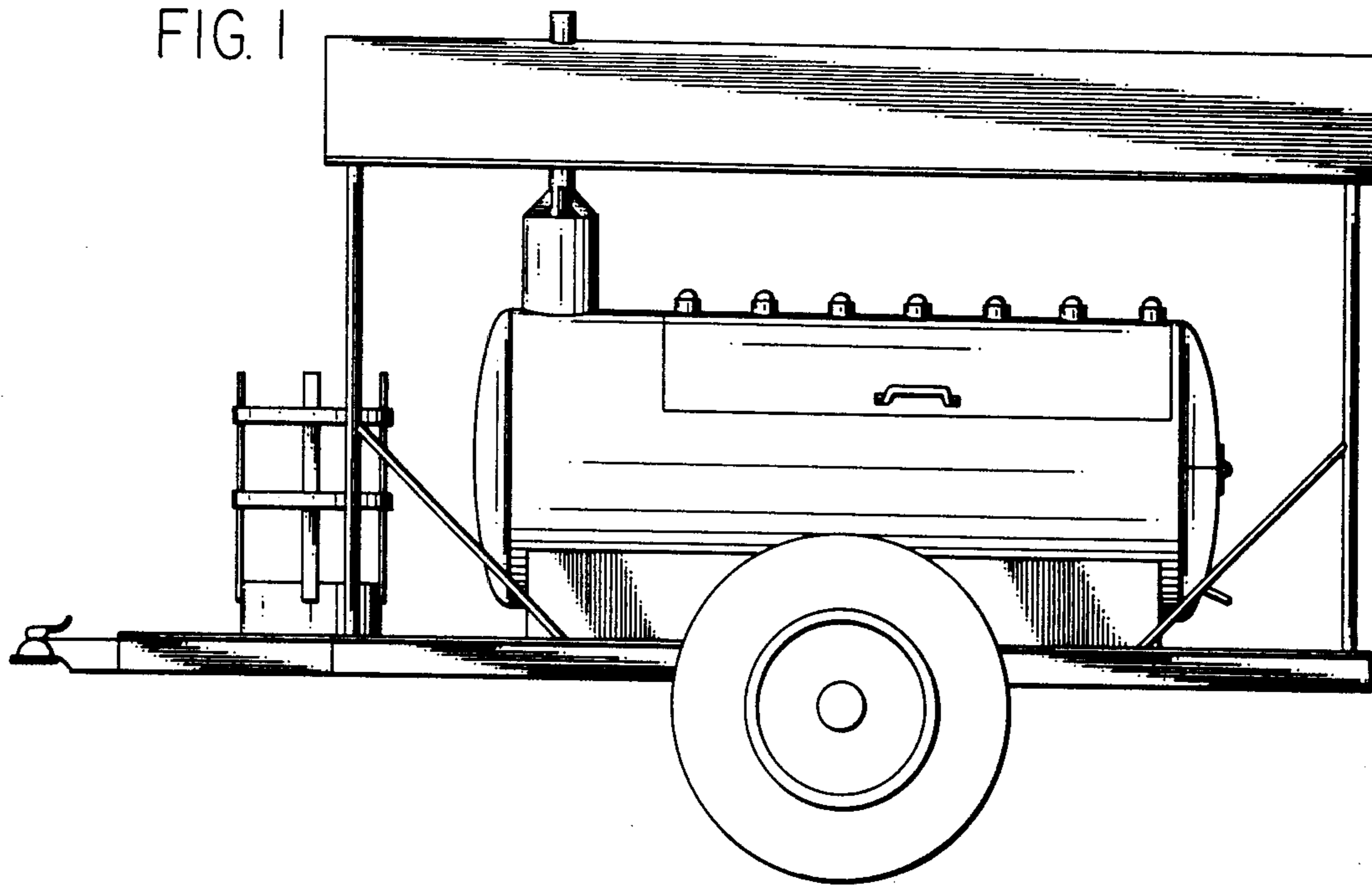


FIG. 2

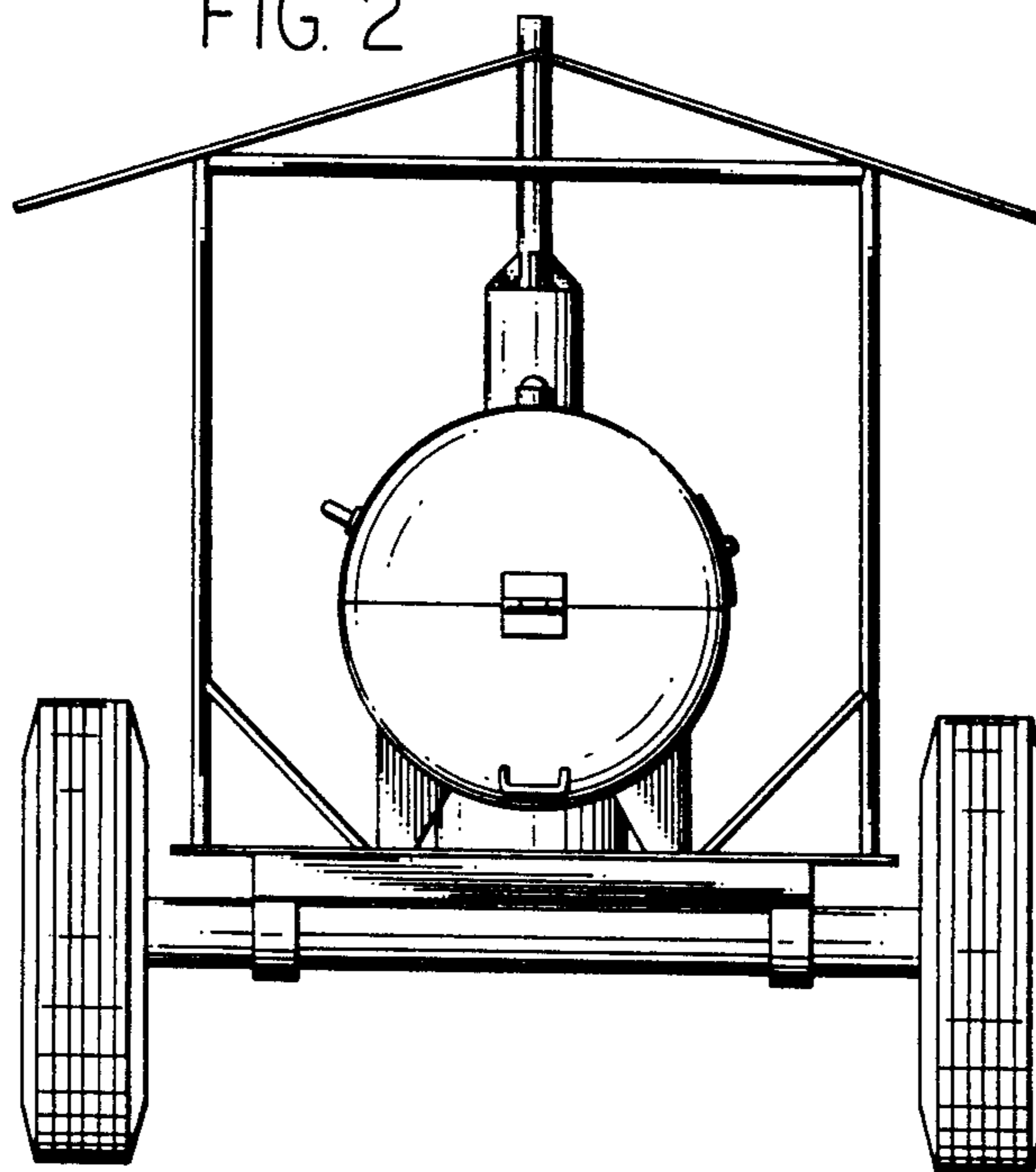


FIG. 3

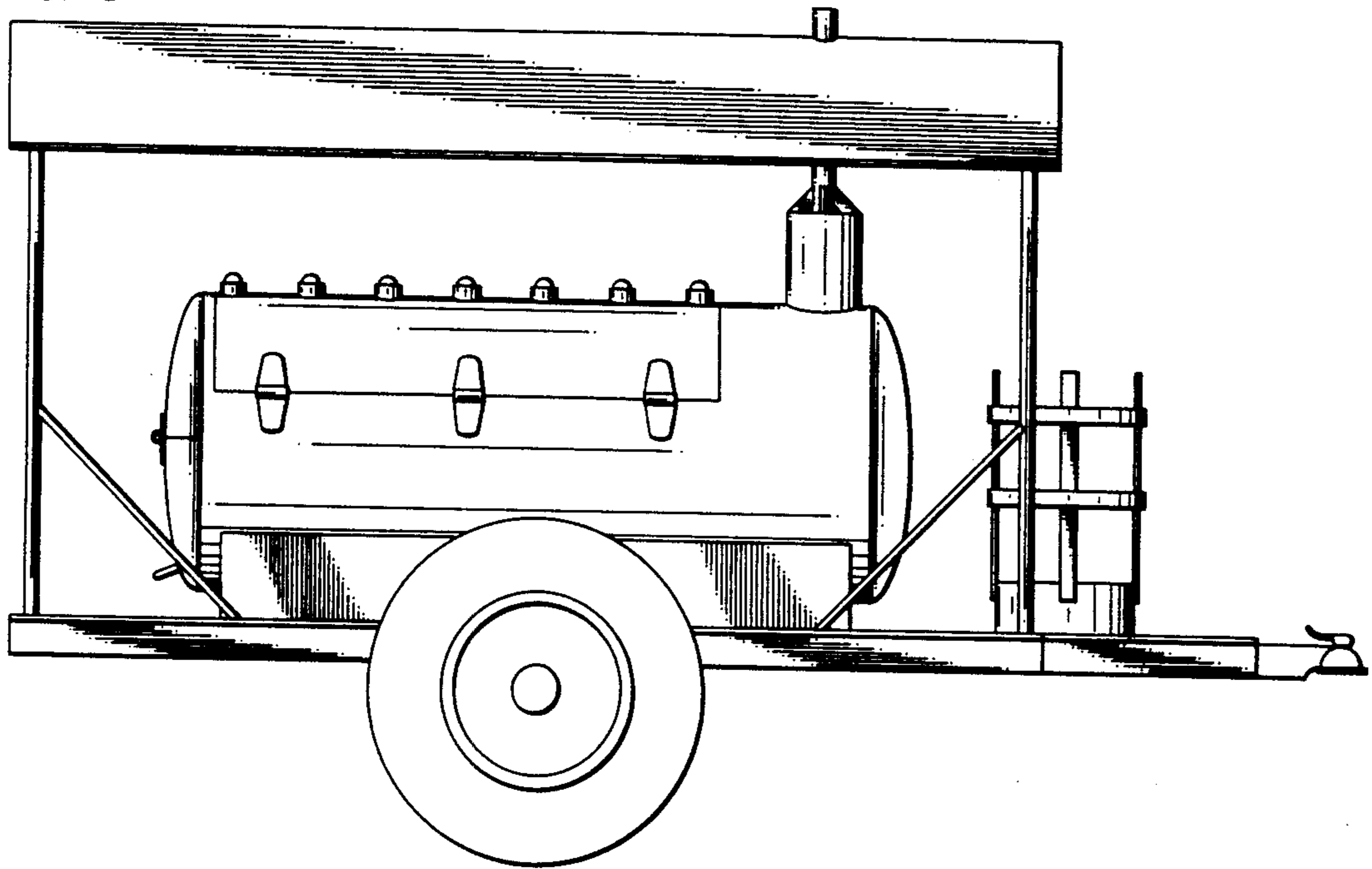


FIG. 4

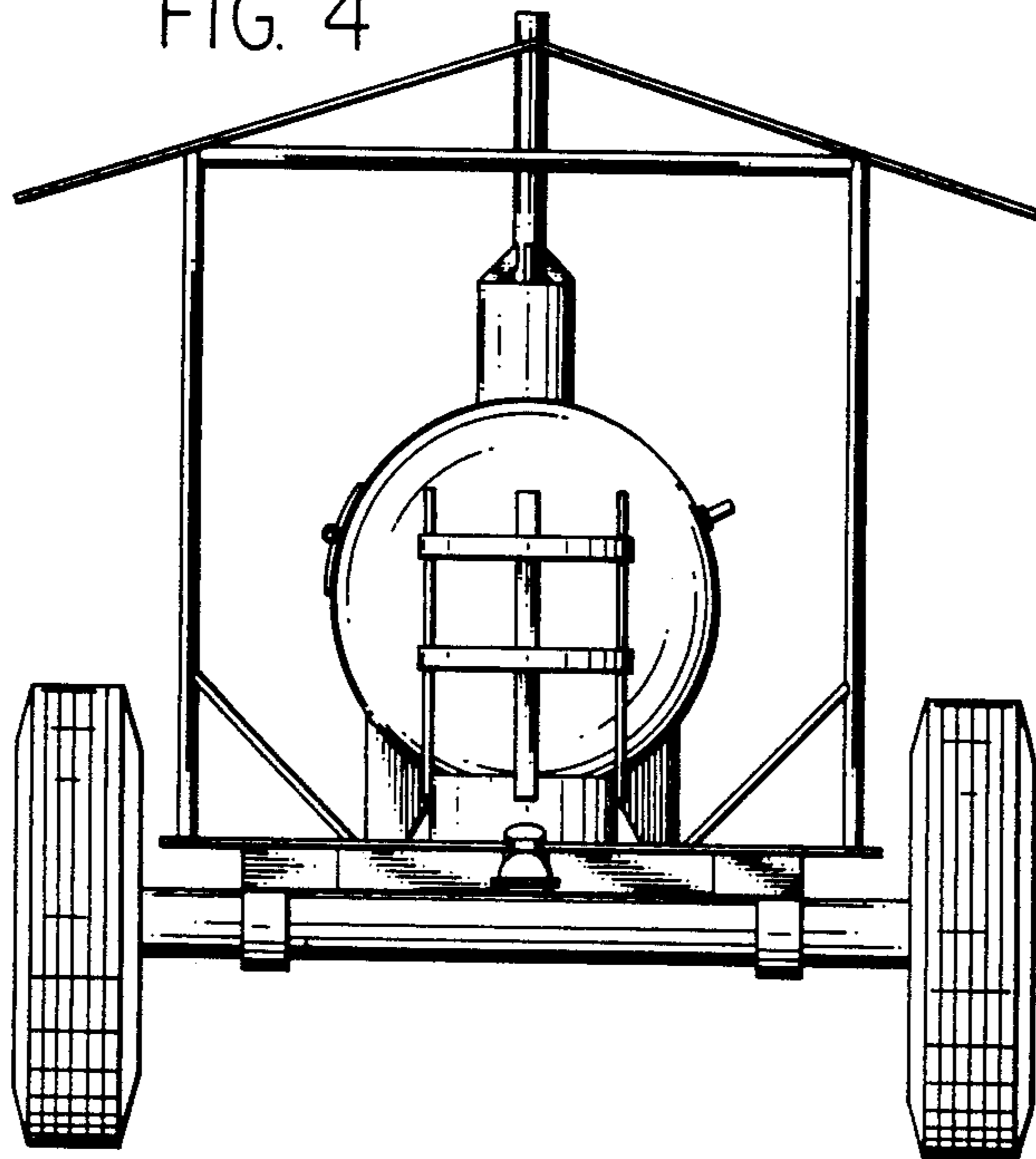


FIG. 5

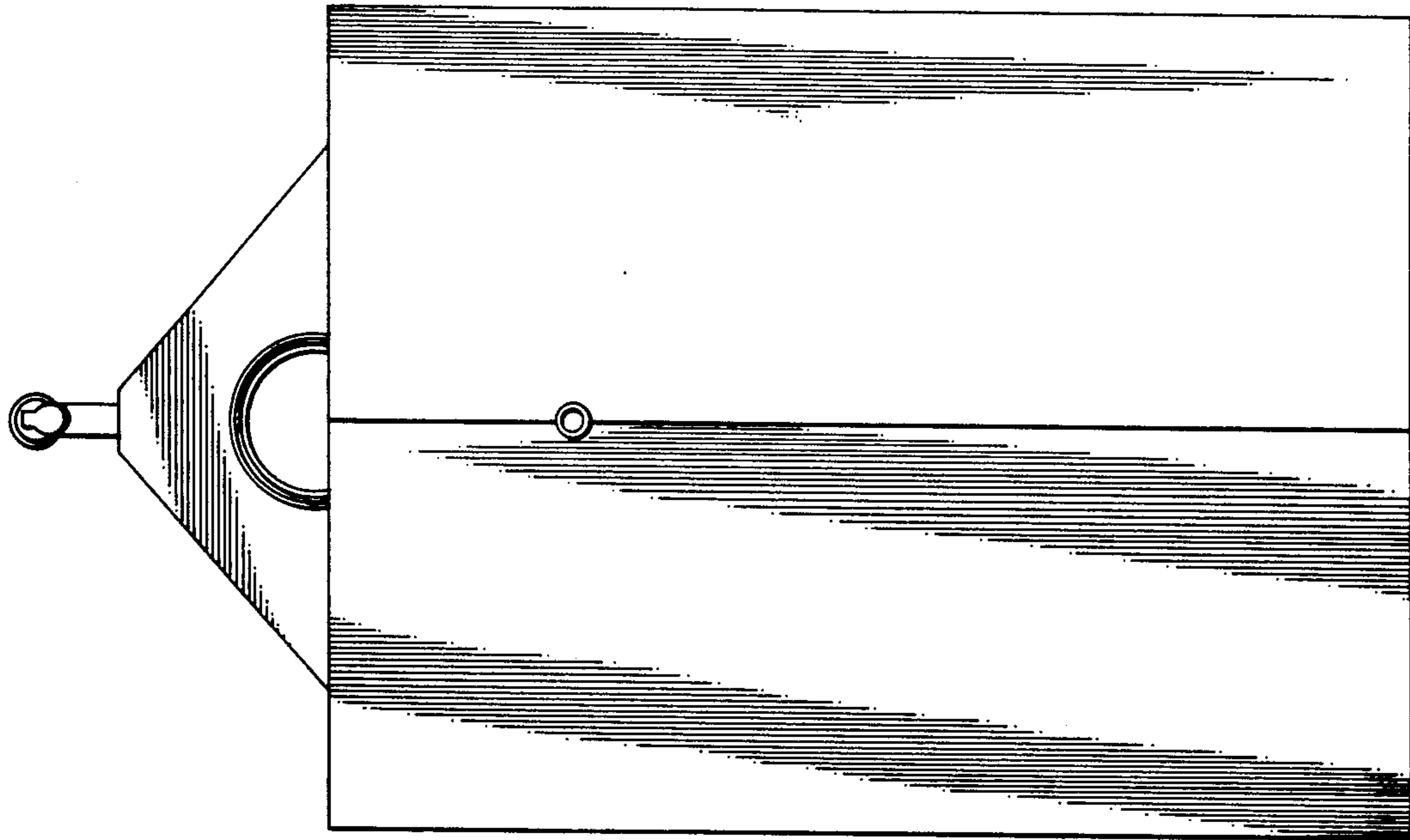


FIG. 6

