

[54] CUP HOLDER

[75] Inventor: Dwight N. Wooters, LaGrange, Ga.

[73] Assignee: Rubbermaid Specialty Products Inc., LaGrange, Ga.

[\*\*] Term: 14 Years

[21] Appl. No.: 780,550

[22] Filed: Mar. 23, 1977

[51] Int. Cl. .... D7-99

[52] U.S. Cl. .... D7/70; D7/38; D7/76

[58] Field of Search ..... D7/70, 71, 38, 45, 37, D7/19, 21, 41; 211/88; 248/311.1; D9/184, 187, 185

[56] References Cited

U.S. PATENT DOCUMENTS

D. 199,498 11/1964 MacKay et al. .... D7/76

D. 200,547 3/1965 MacKay et al. .... D7/38  
D. 204,999 6/1966 Edwards ..... D7/70 X  
D. 228,304 9/1973 Lerew et al. .... D7/70  
3,226,074 12/1965 Coe ..... 248/311.1

Primary Examiner—Winifred E. Herrmann  
Attorney, Agent, or Firm—E. R. Hamilton

[57] CLAIM

The ornamental design for a cup holder, as shown and described.

DESCRIPTION

FIG. 1 is a perspective view of a cup holder embodying my new design.

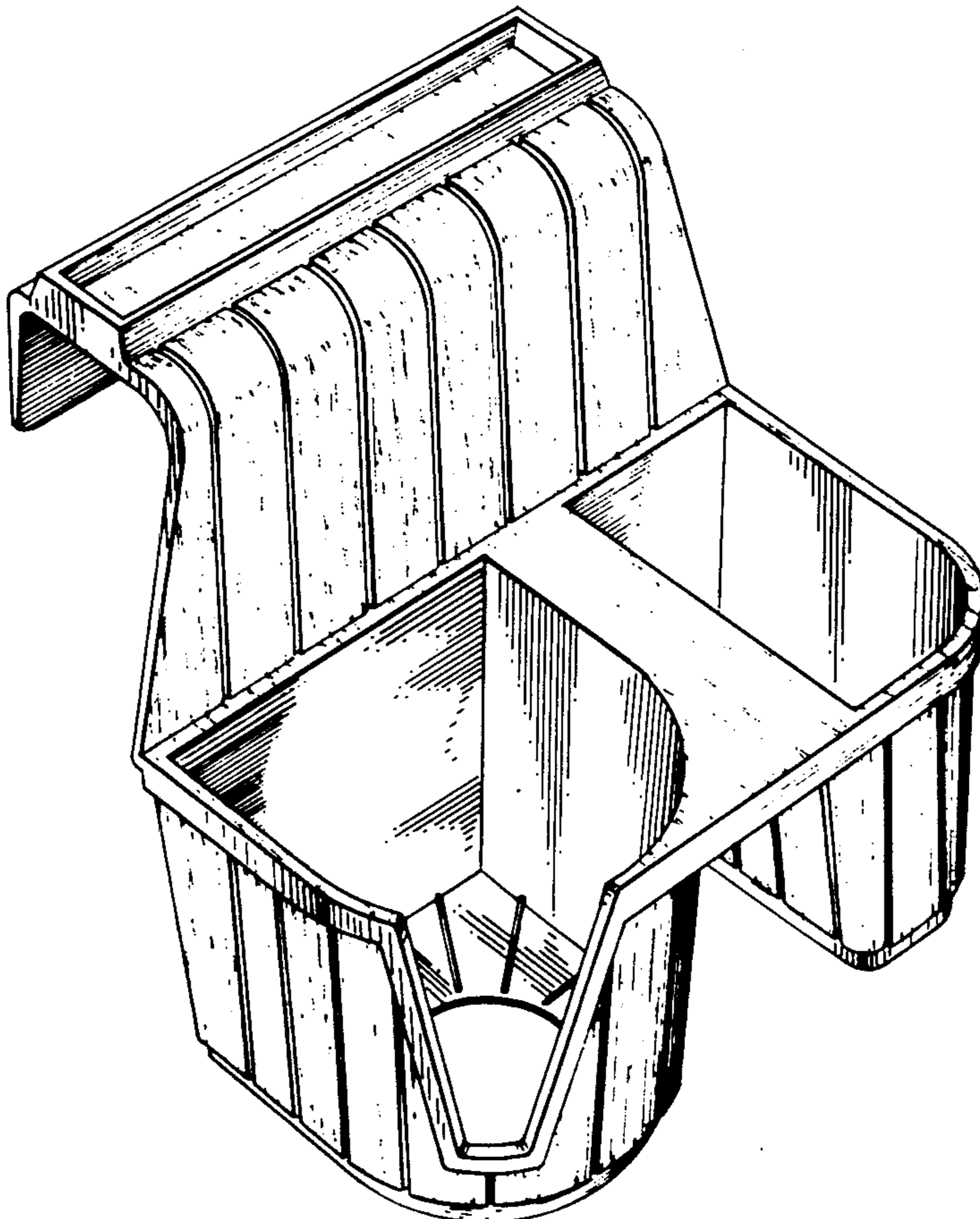
FIG. 2 is a top plan view thereof.

FIG. 3 is a bottom plan view thereof with a portion of the hanger support member removed.

FIG. 4 is a side elevational view thereof.

FIG. 5 is a partial sectional view on line 5-5 of FIG. 2.

The rear and under surfaces of the hanger support member are plane and unornamented.



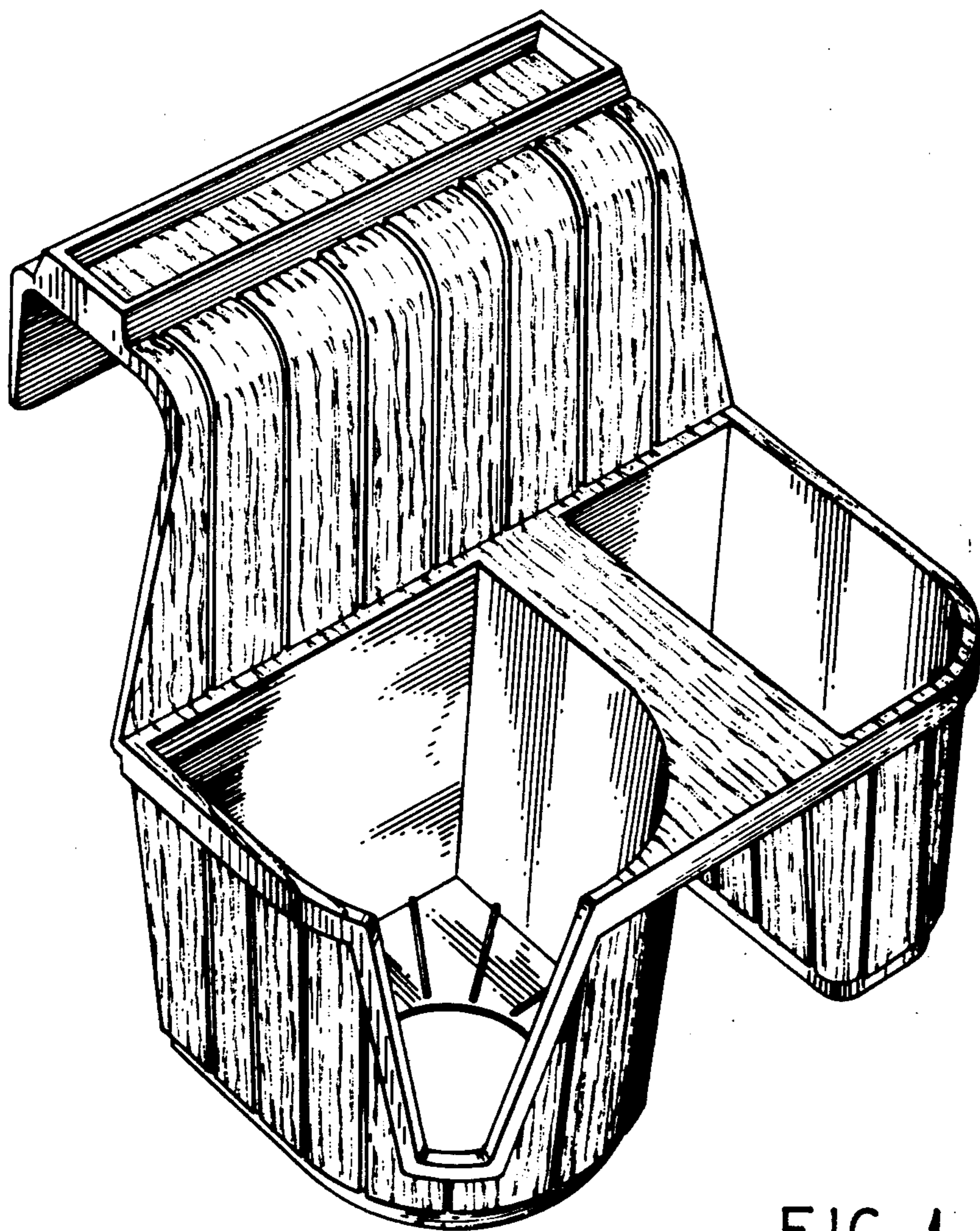


FIG. 1

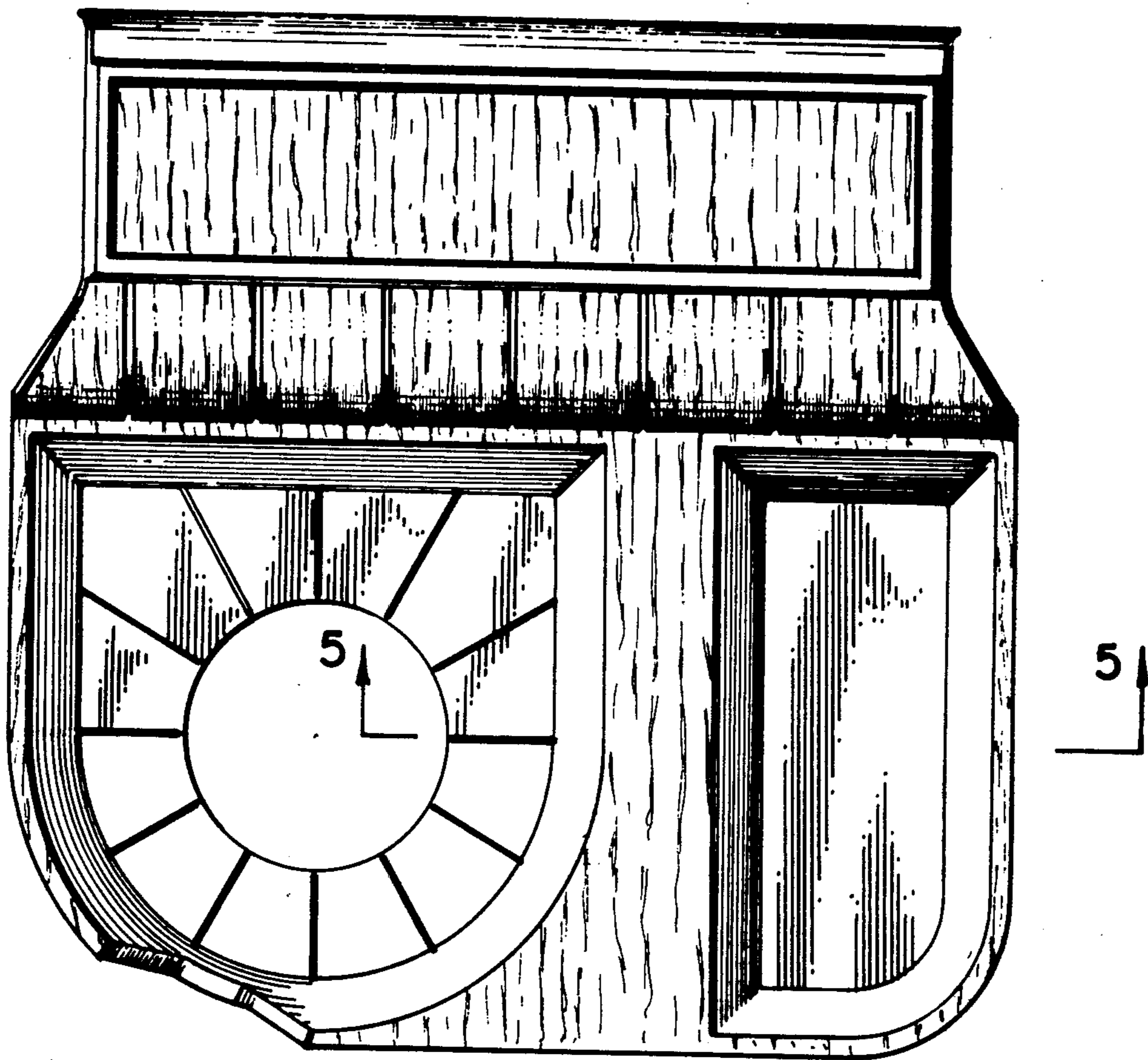


FIG. 2

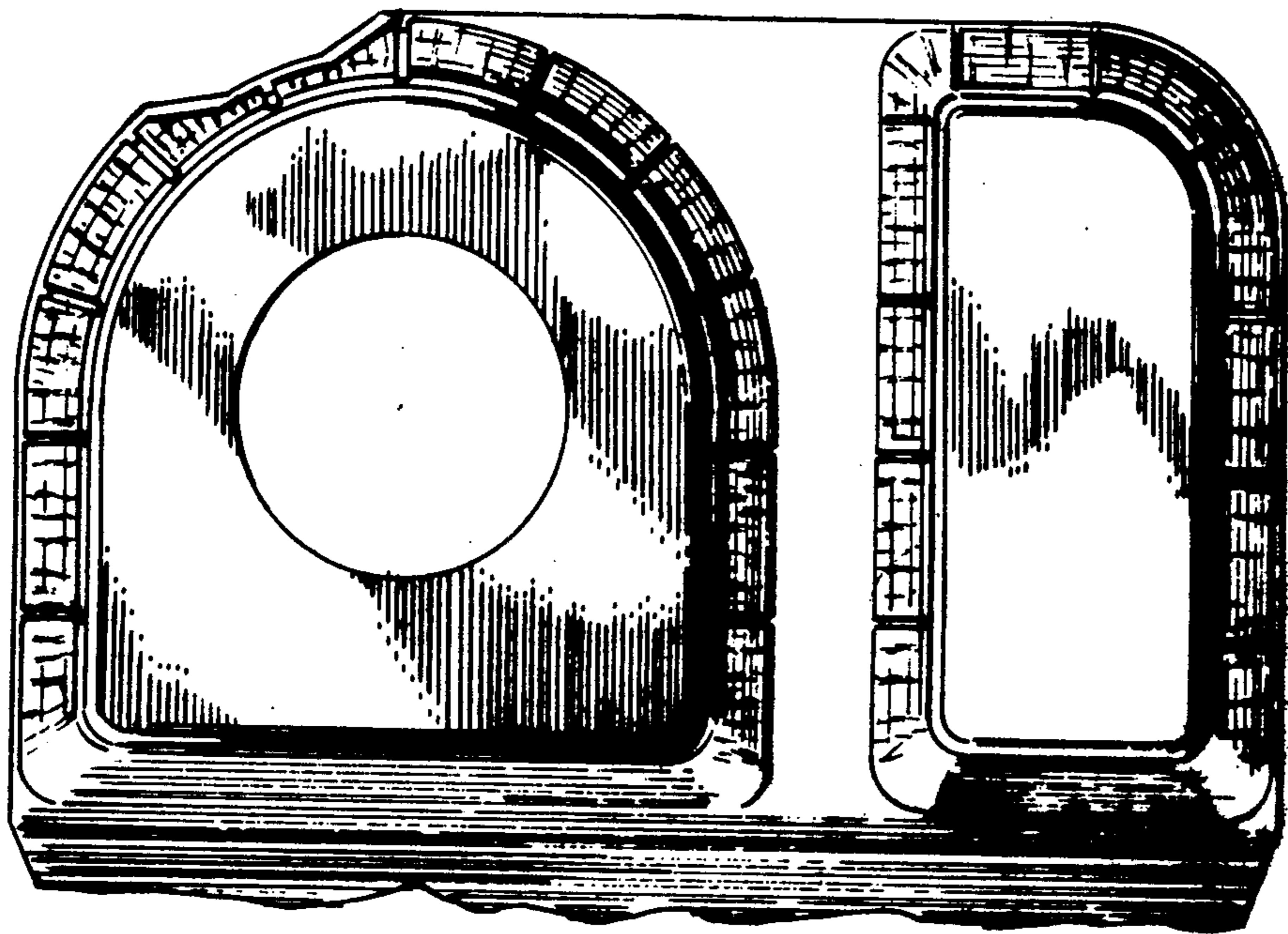


FIG. 3

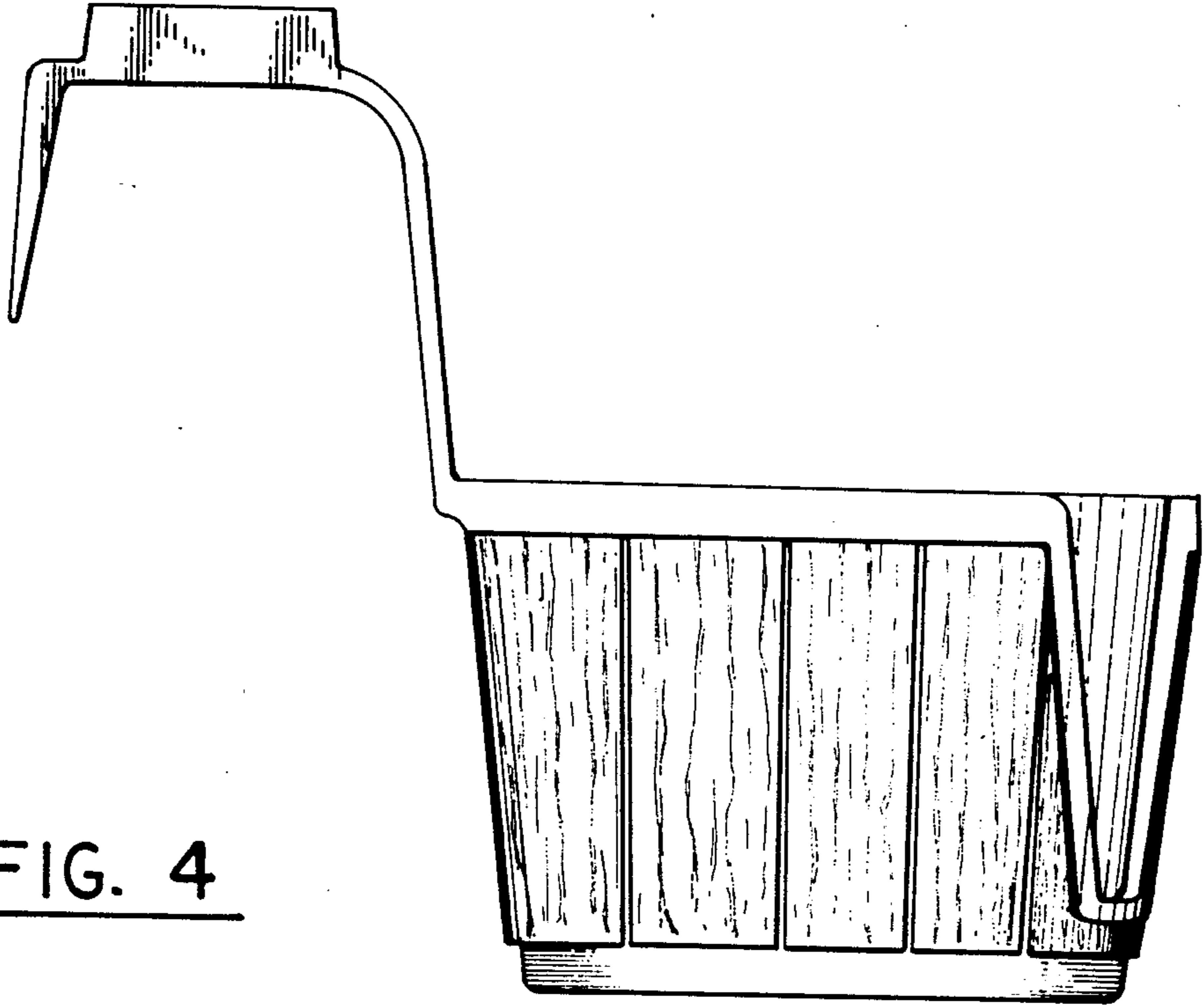


FIG. 4

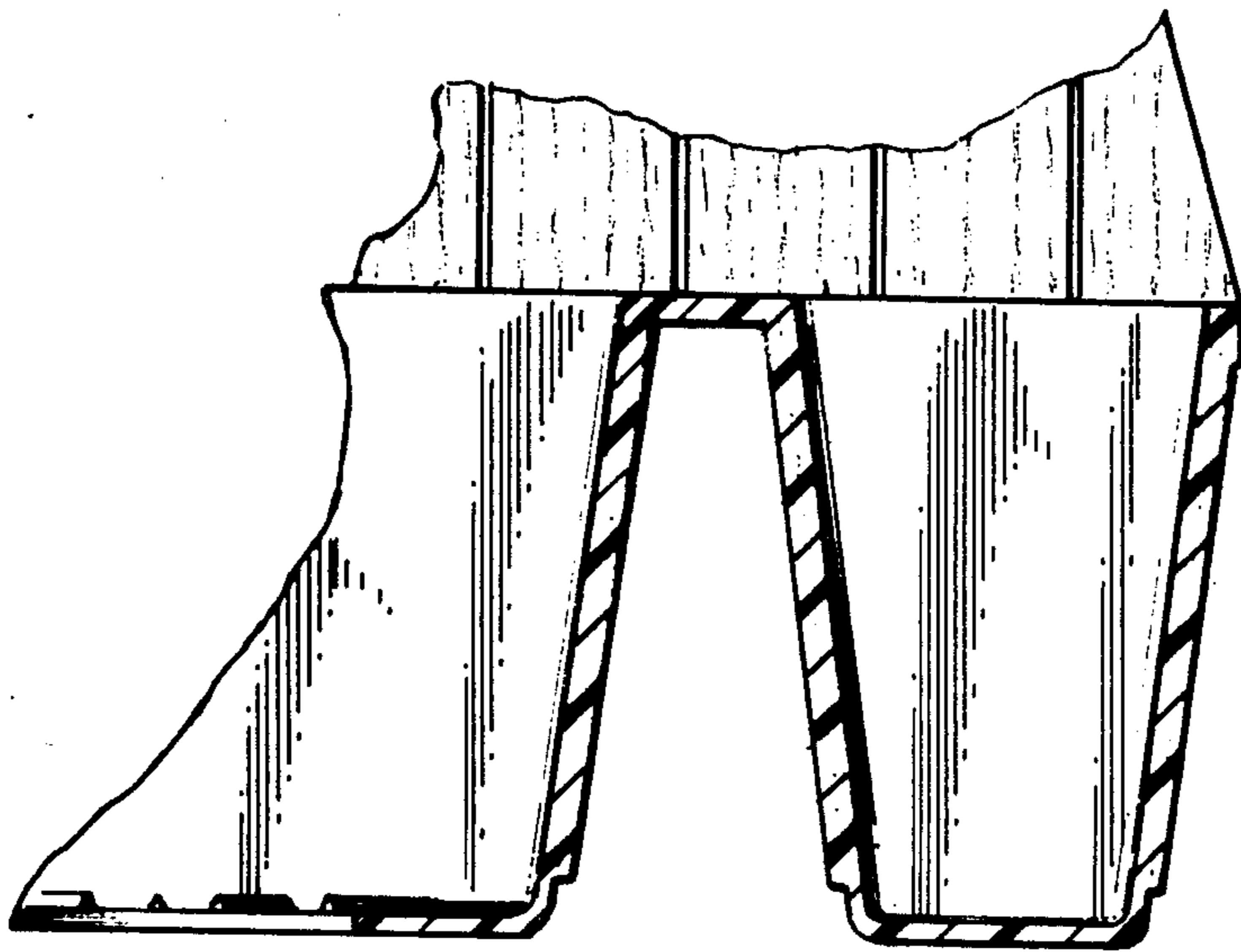


FIG. 5