

[54] GOLF ACCESSORY BOX

[76] Inventors: James W. Coleman, 8547 Lehigh St., Sun Valley, Calif. 91352; Wilbur G. Hale, 8030 Hesperia St., Reseda, Calif. 91335

[\*\*] Term: 14 Years

[21] Appl. No.: 796,203

[22] Filed: May 12, 1977

[51] Int. Cl. .... D3-02

[52] U.S. Cl. .... D87/1 R; D34/5 CB

[58] Field of Search .... D87/1 R; D34/5 CB; 224/5 C, 5 D, 29 B; 206/315, 315 B; D22/14

[56] References Cited

U.S. PATENT DOCUMENTS

D. 237,590 11/1975 Scantlin ..... D87/1 R  
3,062,422 11/1962 Lord ..... 206/315

3,128,021 4/1964 Habbena ..... D34/5 CB  
3,639,021 2/1972 Fee ..... 206/315  
3,753,519 8/1973 Gammon ..... 206/315

FOREIGN PATENT DOCUMENTS

227180 1/1925 United Kingdom ..... 224/5 D

Primary Examiner—Joel Stearman  
Assistant Examiner—George P. Word  
Attorney, Agent, or Firm—Roger A. Marrs

[57] CLAIM

The ornamental design for a golf accessory box, substantially as shown and described.

DESCRIPTION

FIG. 1 is a perspective view of a golf accessory box showing our new design with the hinged lid in an open position; FIG. 2 is a top perspective view thereof with the hinged lid closed; and FIG. 3 is a bottom perspective view thereof.

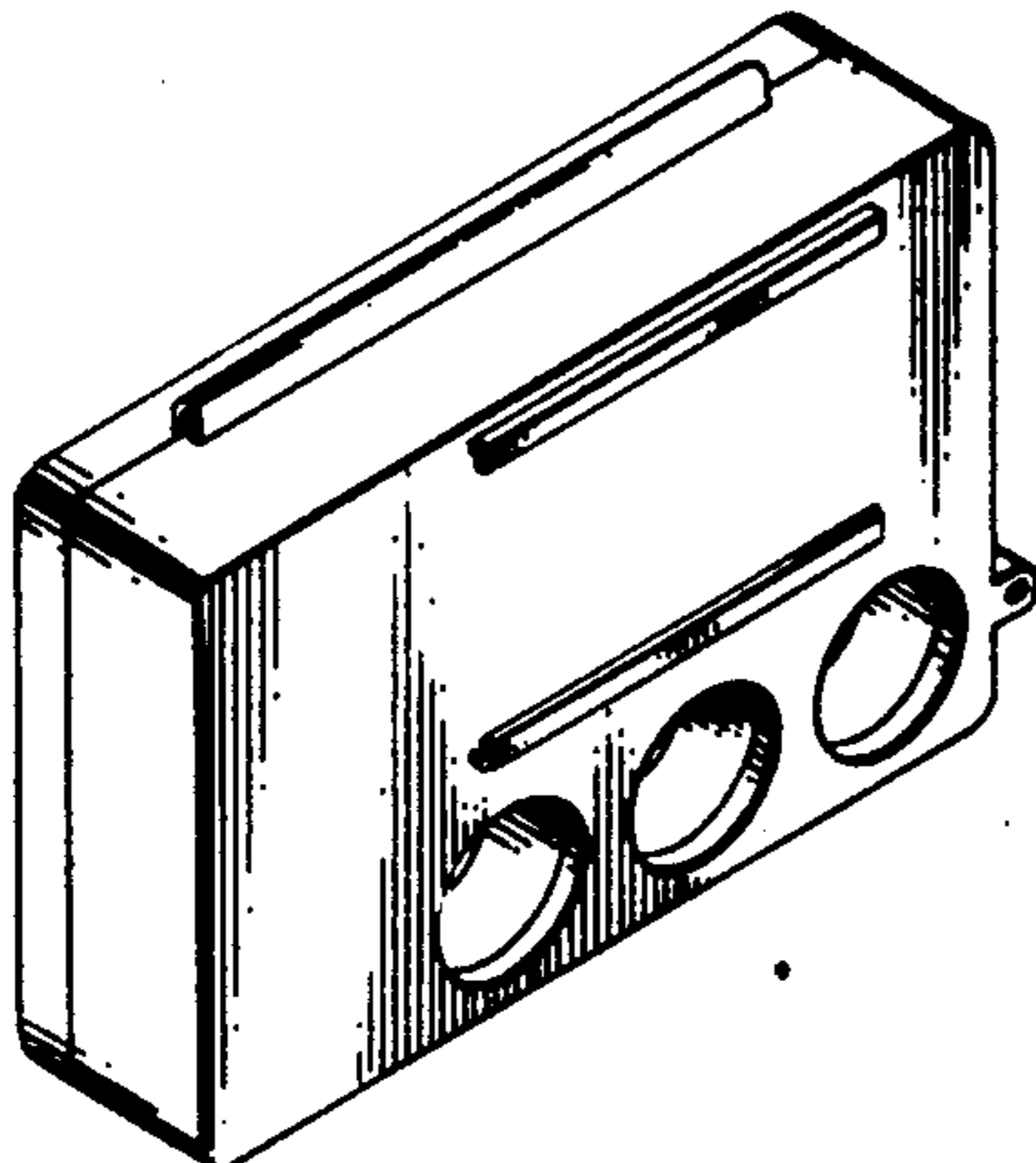
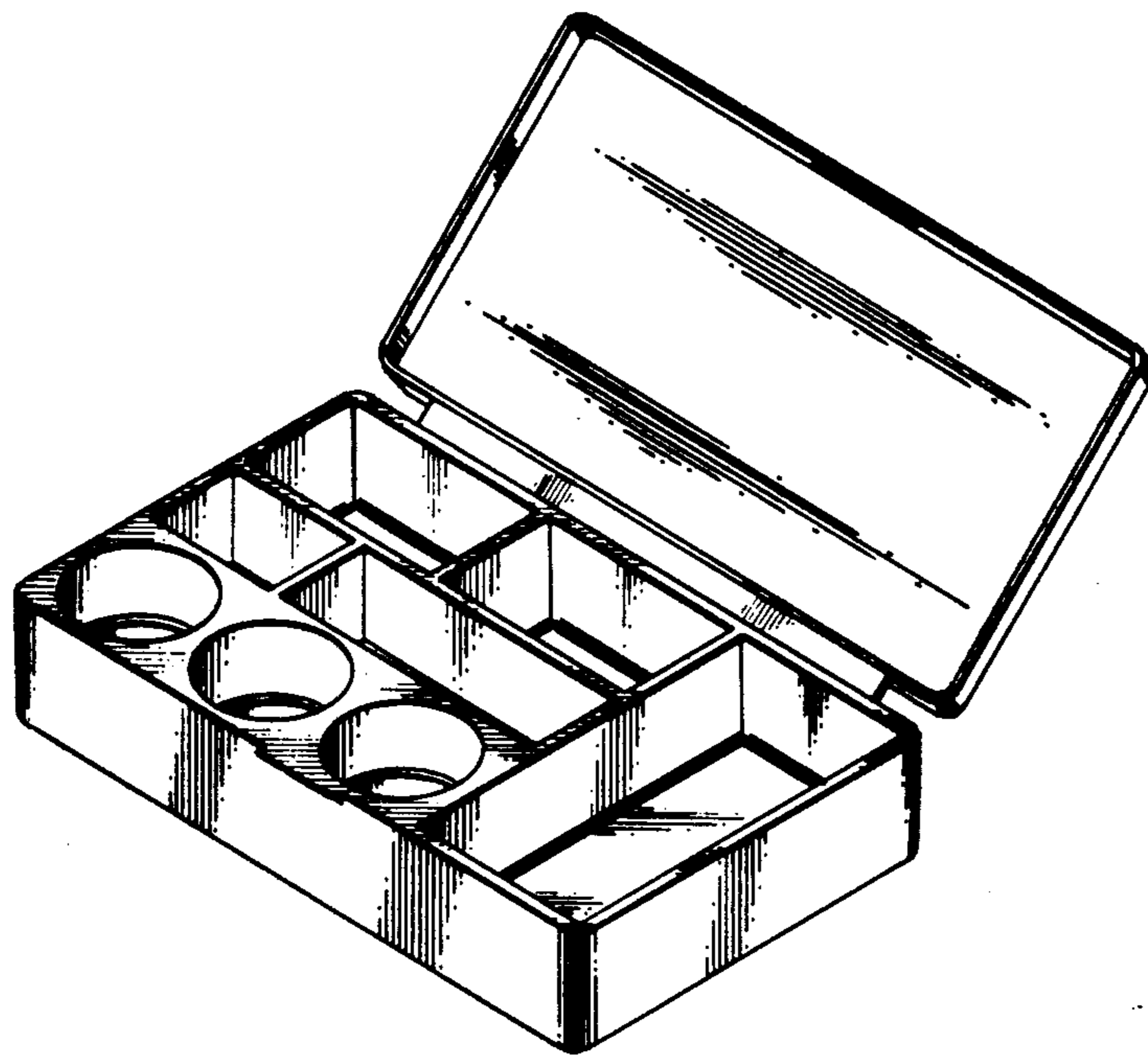


FIG. 1

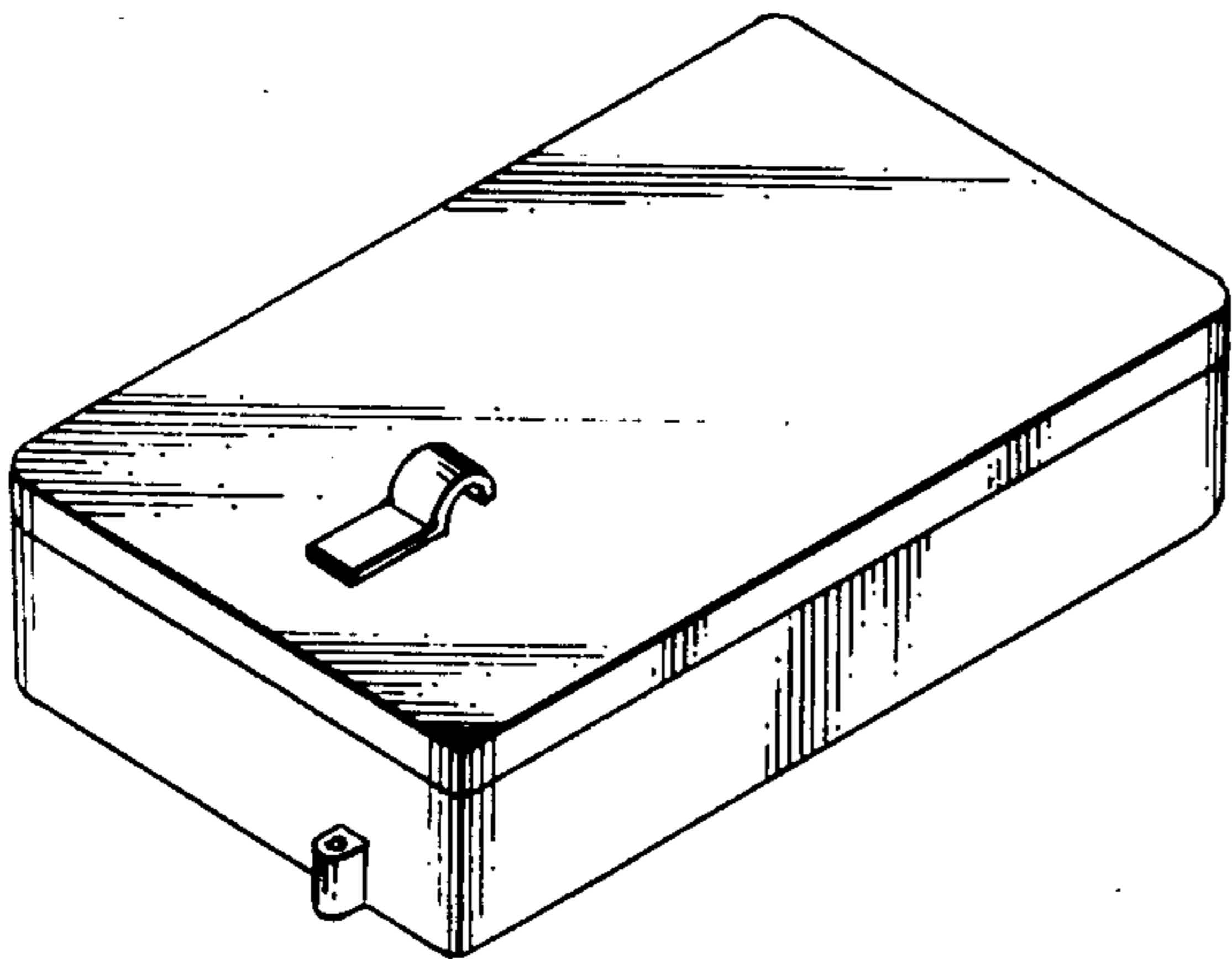
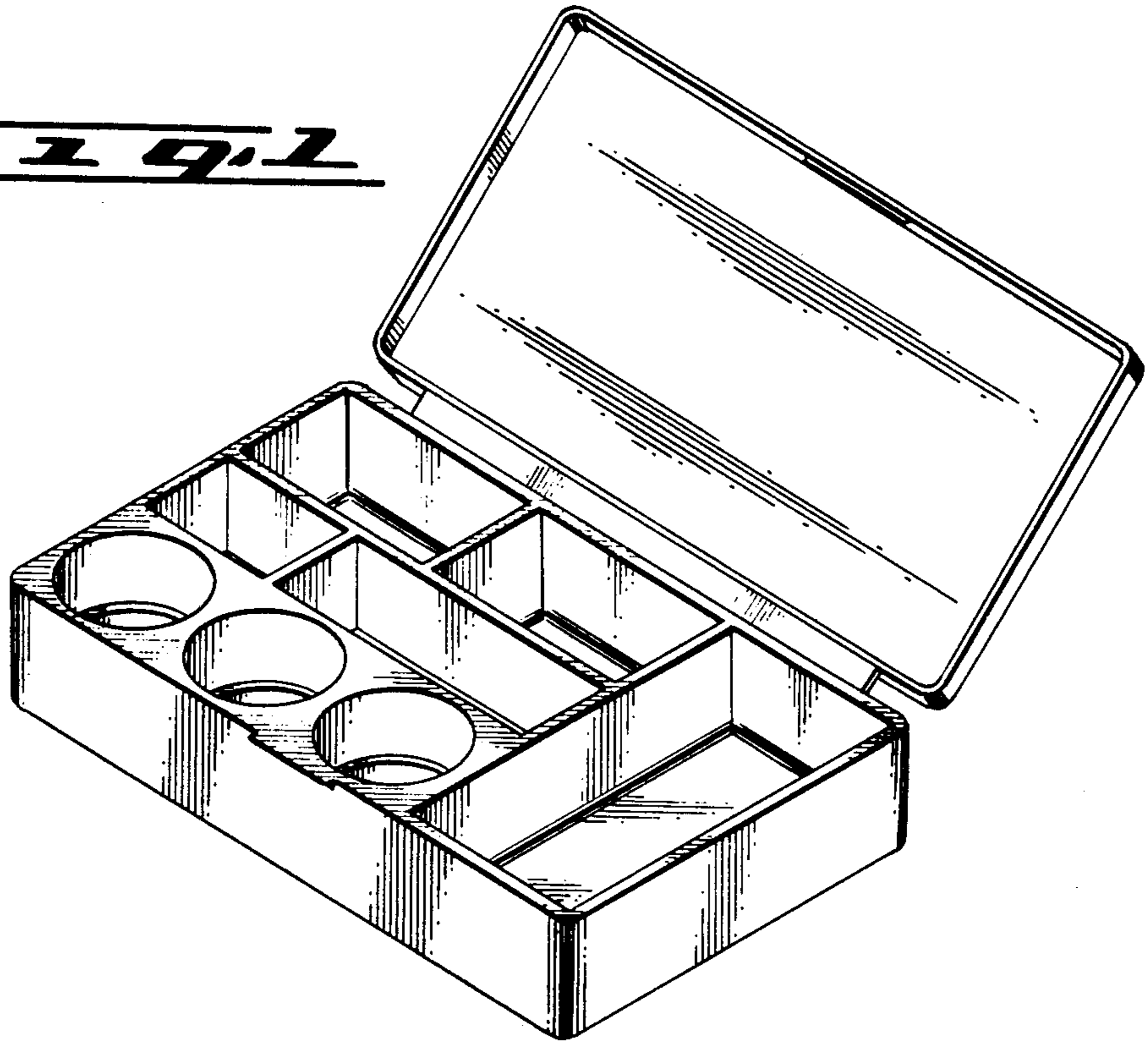


FIG. 2

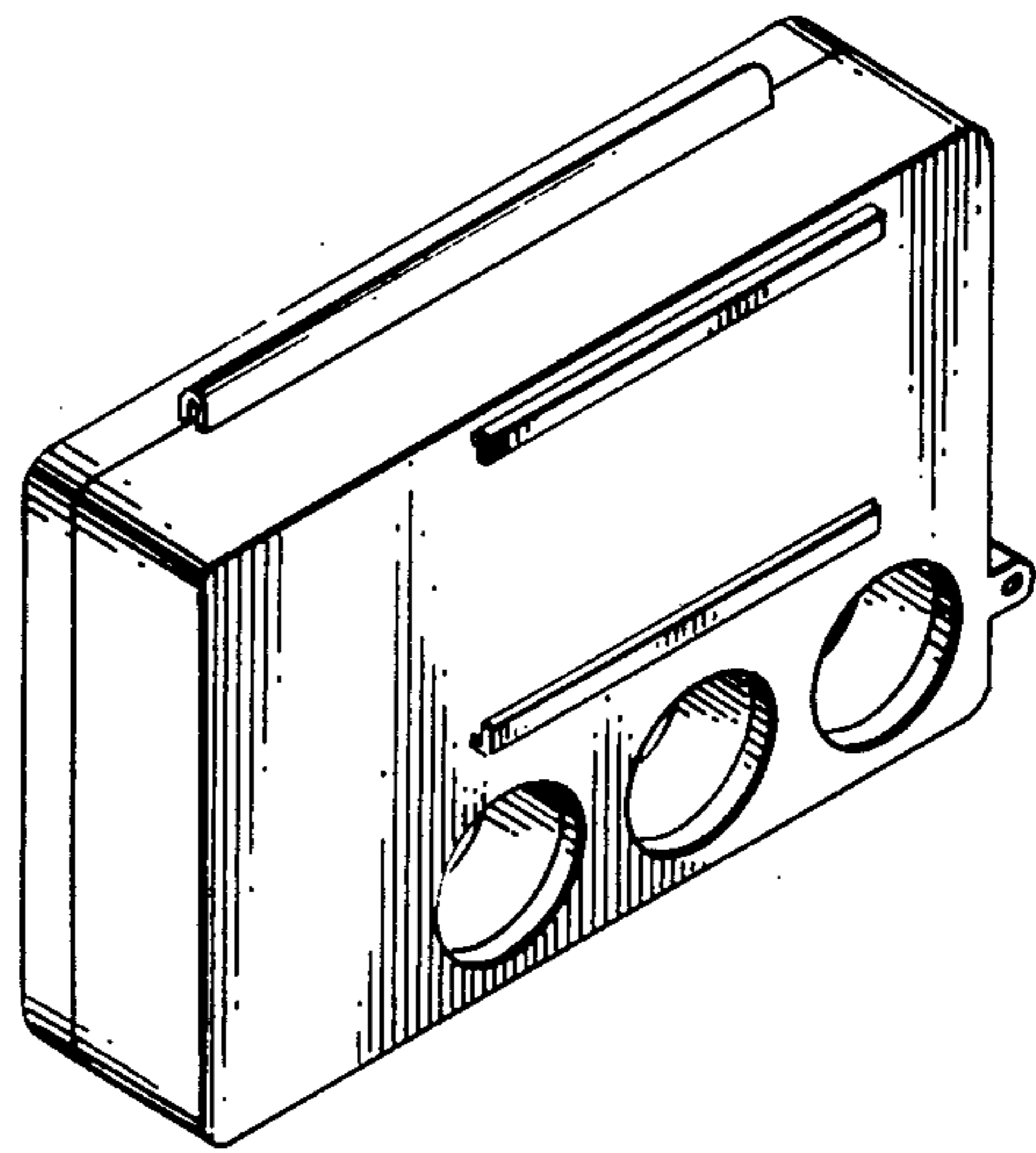


FIG. 3