

[54] **COMBINED SKETCH CASE AND PALETTE FOR WATER COLORS**

[75] Inventors: **Viktor P. Rodin, Moscow; Petr S. Zhdanov; Jury I. Prokhorov, both of Podolsk Moskovskoi, all of U.S.S.R.**

[73] Assignee: **Proizvodstvenny Kombinat Khudozhestvennogo Fonda, U.S.S.R.**

[**] Term: **14 Years**

[21] Appl. No.: **749,527**

[22] Filed: **Dec. 10, 1976**

[51] Int. Cl. **D3-02**

[52] U.S. Cl. **D87/1 R; D19/36**

[58] Field of Search **D19/35; D87/1 R, 5 R, D87/5 B, 5 E, 5 F; 211/128, 130; 206/81, 1.7, 1.8; 312/244, DIG. 33**

[56] **References Cited**

U.S. PATENT DOCUMENTS

D. 165,128	11/1951	Blacher	D19/35
2,650,150	8/1953	Smith et al.	211/130
2,804,226	8/1957	Freedman	206/1.7
2,867,928	1/1959	Angell	206/1.8
3,945,490	3/1976	Thompson	D19/35
3,948,579	4/1976	Schirmer	D87/1 R

*Primary Examiner—Joel Stearman
Assistant Examiner—George P. Word
Attorney, Agent, or Firm—Harold D. Steinberg*

[57] **CLAIM**

The ornamental design for a combined sketch case and palette for water colors, as shown and described.

DESCRIPTION

FIG. 1 is a front elevational view of a combined sketch case and palette for water colors showing our new design;

FIG. 2 is a rear elevational view;

FIG. 3 is a left side elevational view;

FIG. 4 is a right side elevational view;

FIG. 5 is a top plan view;

FIG. 6 is a bottom plan view;

FIG. 7 is a perspective view;

FIG. 8 is a perspective view thereof in a partially open condition;

FIG. 9 is a perspective view thereof with the cover in an alternate position and a portion of the palette broken away for convenience of illustration; and

FIG. 10 is a perspective view of FIG. 7 in a partially closed condition with palette removed and a portion of the upper frame broken away for convenience of illustration.

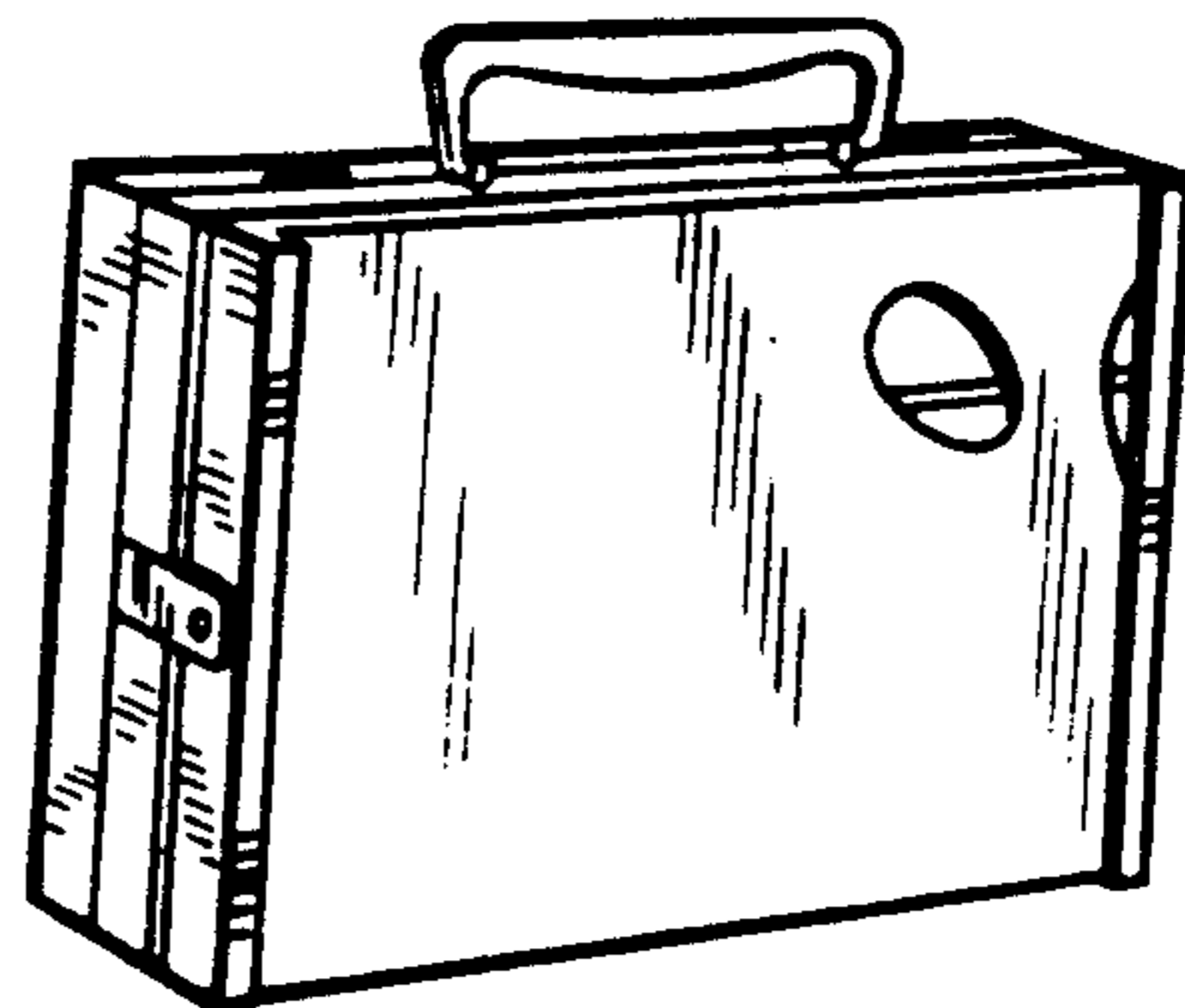
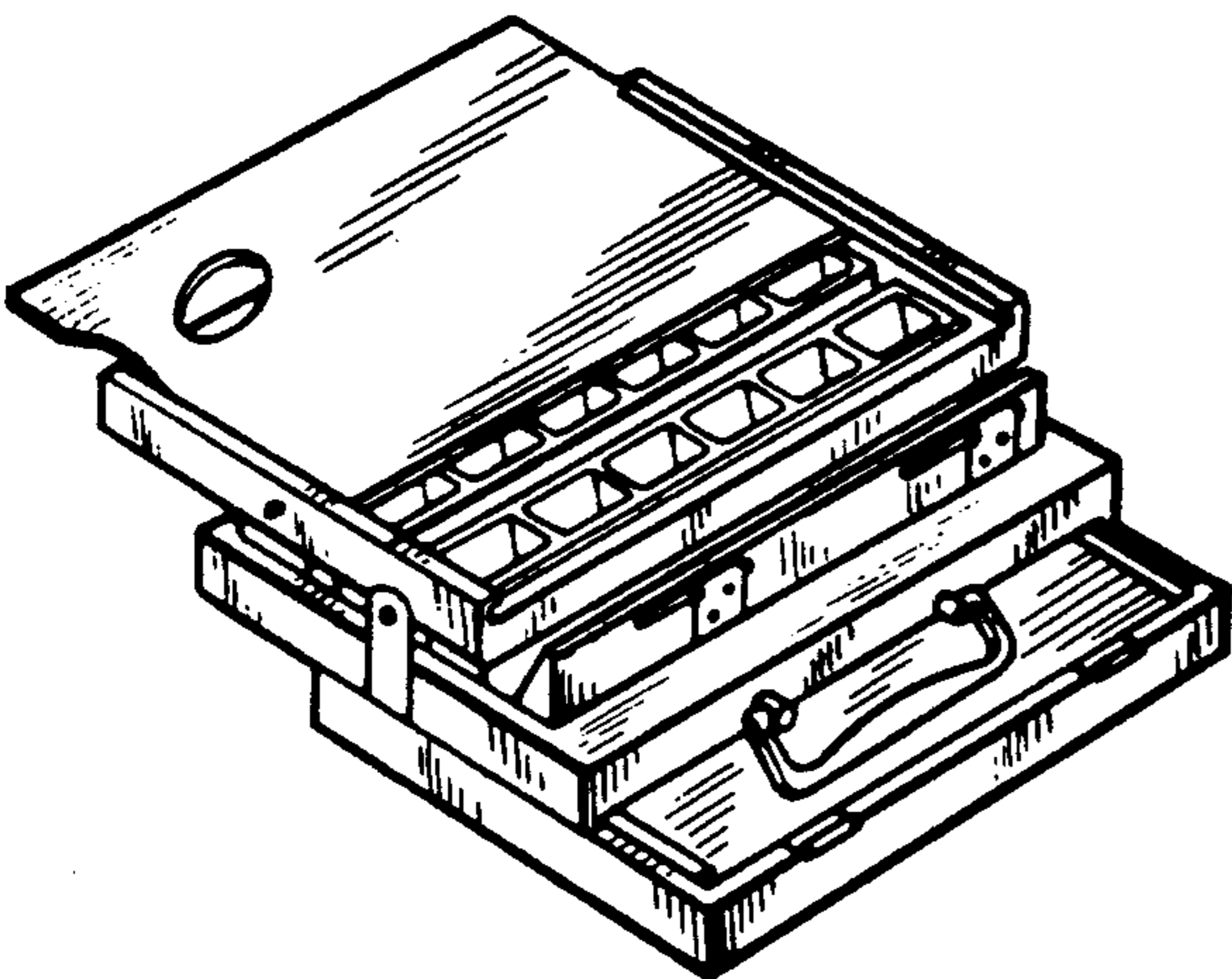


FIG. 1

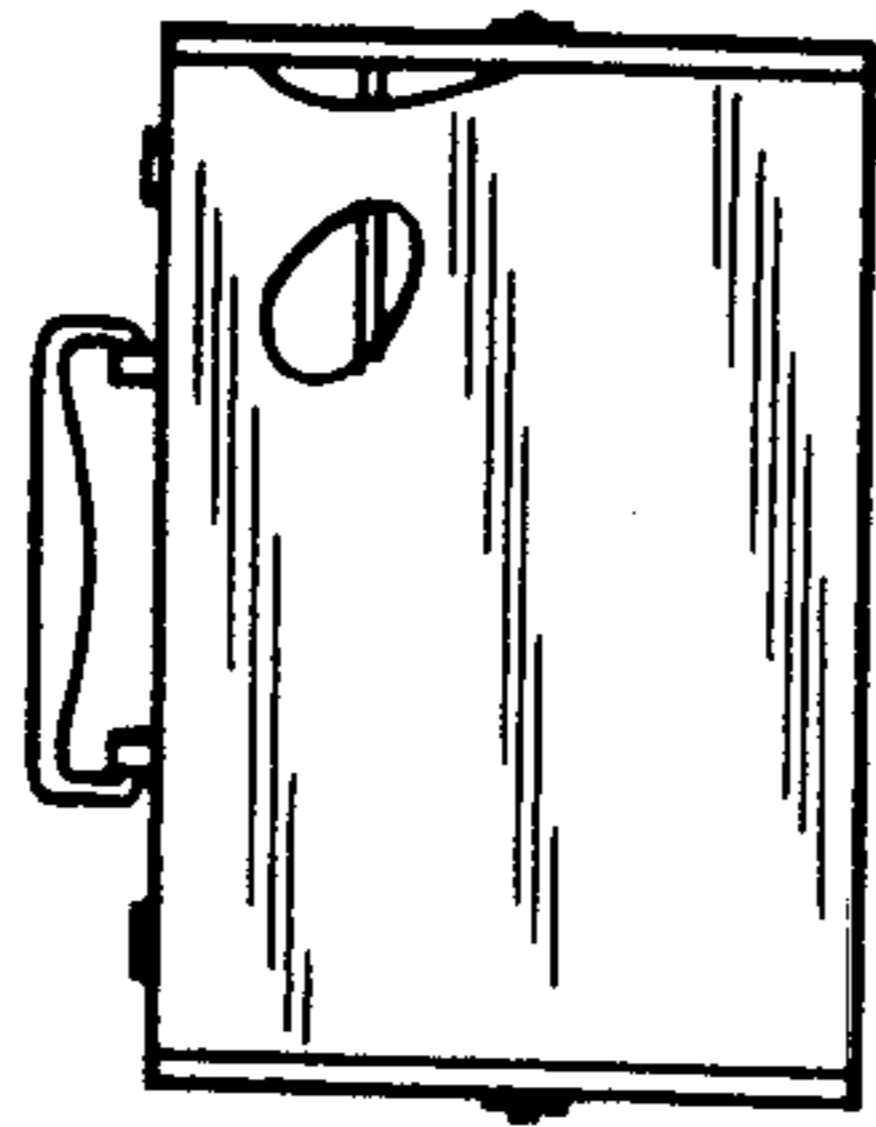


FIG. 6

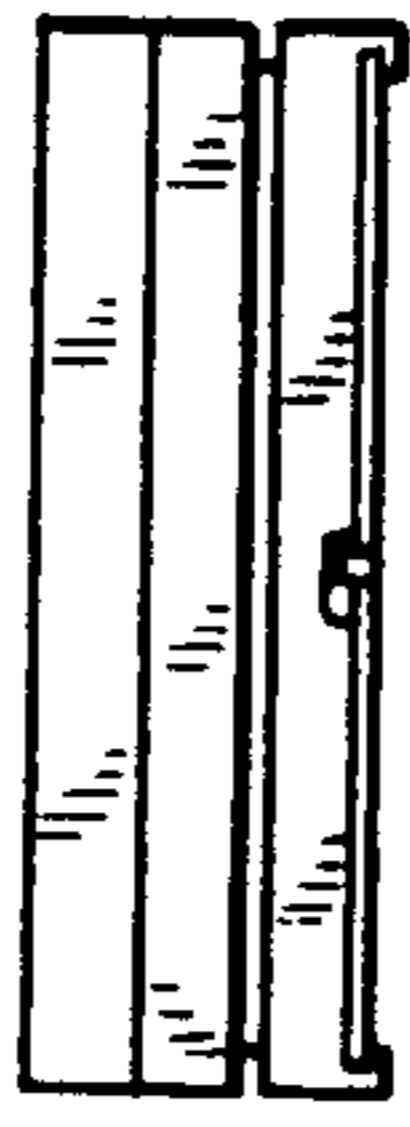


FIG. 3

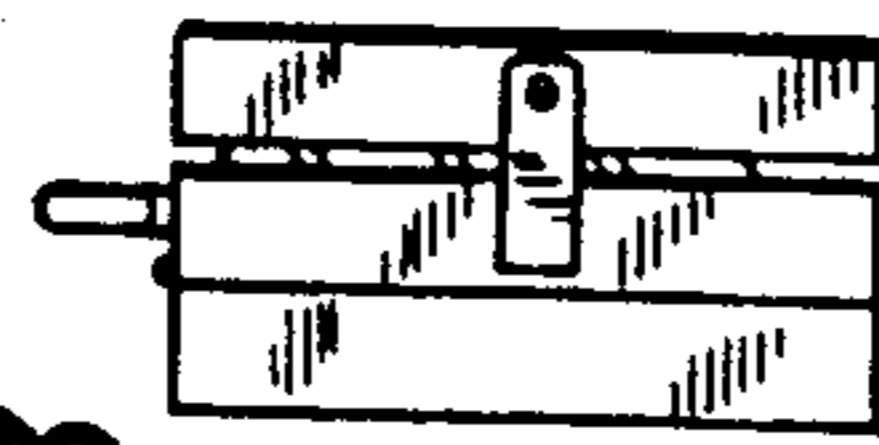


FIG. 2

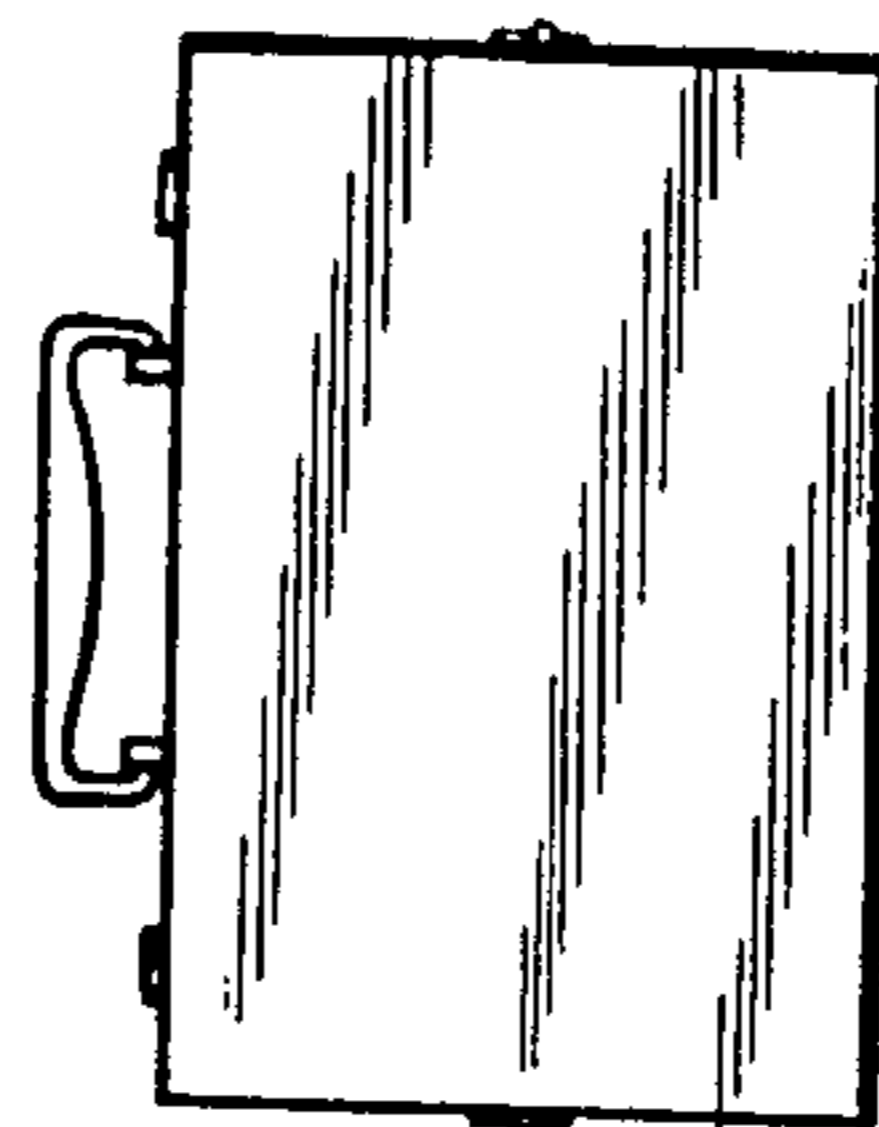


FIG. 5



FIG. 7

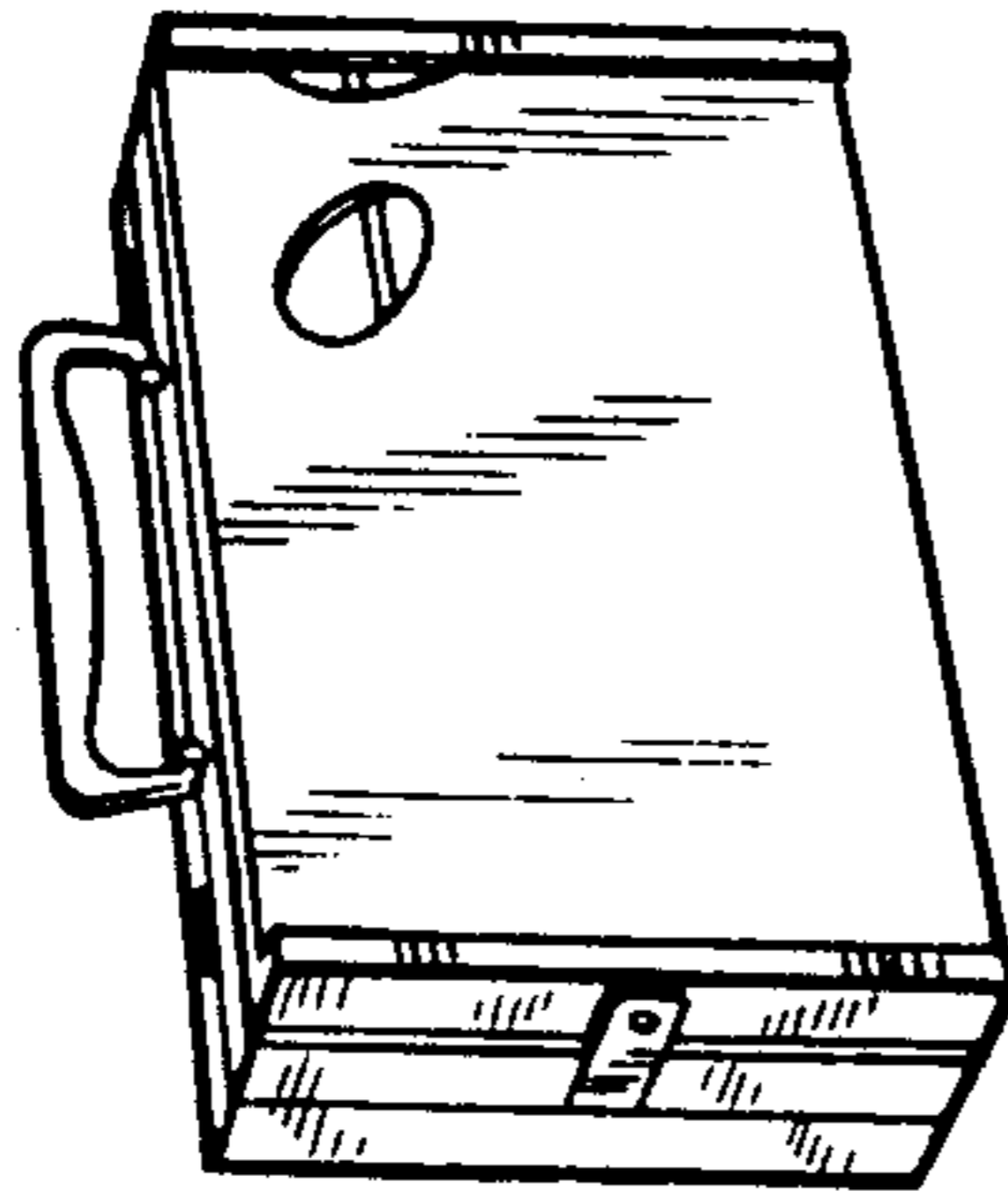


FIG. 8

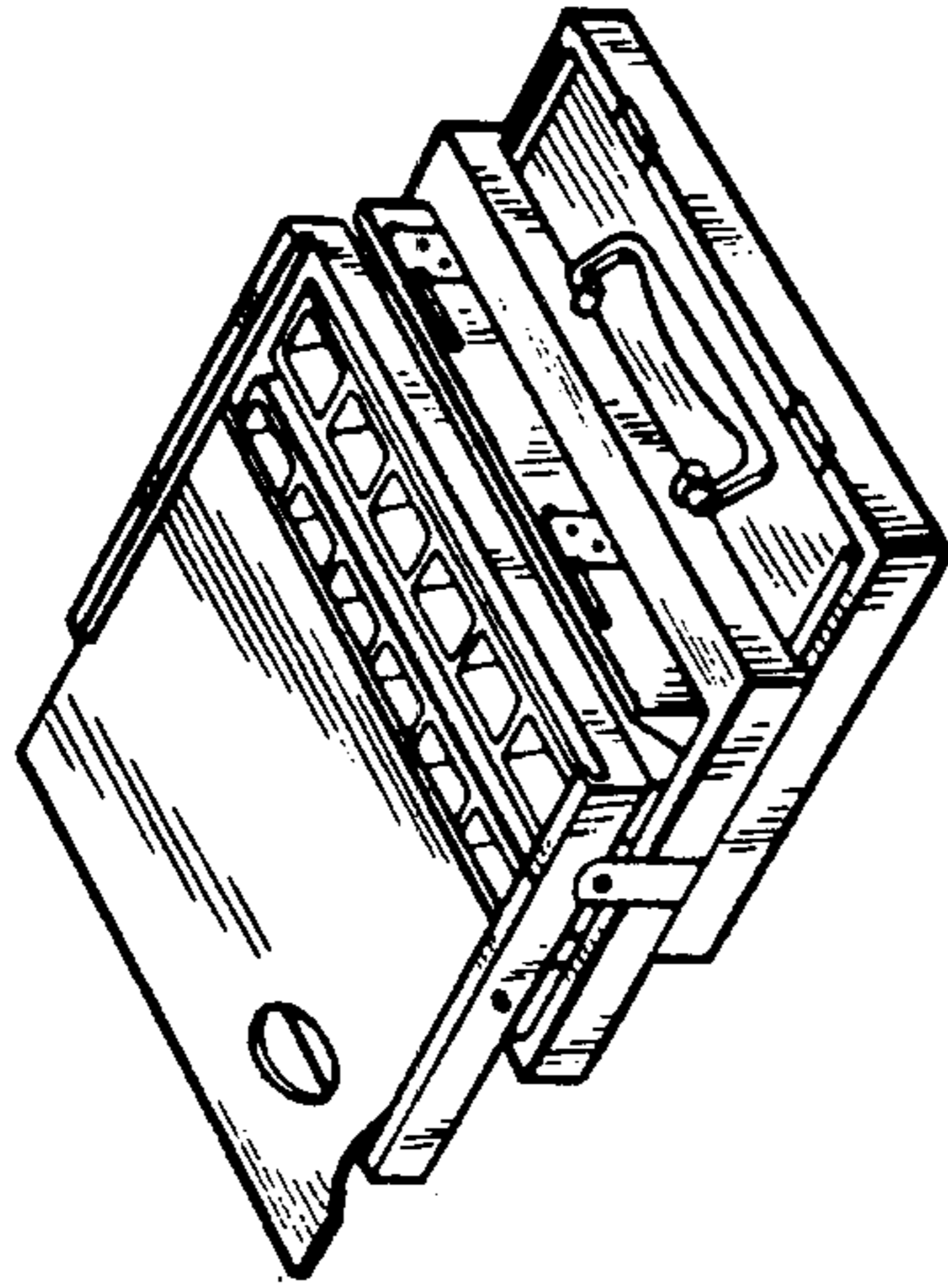


FIG. 4

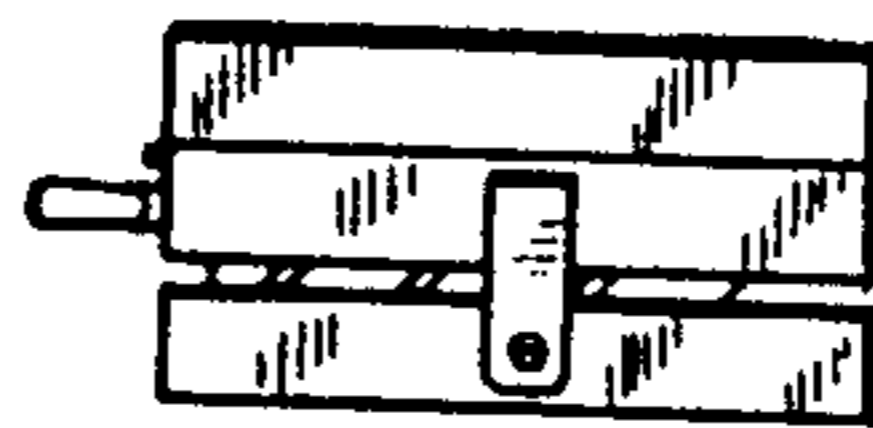


FIG. 9

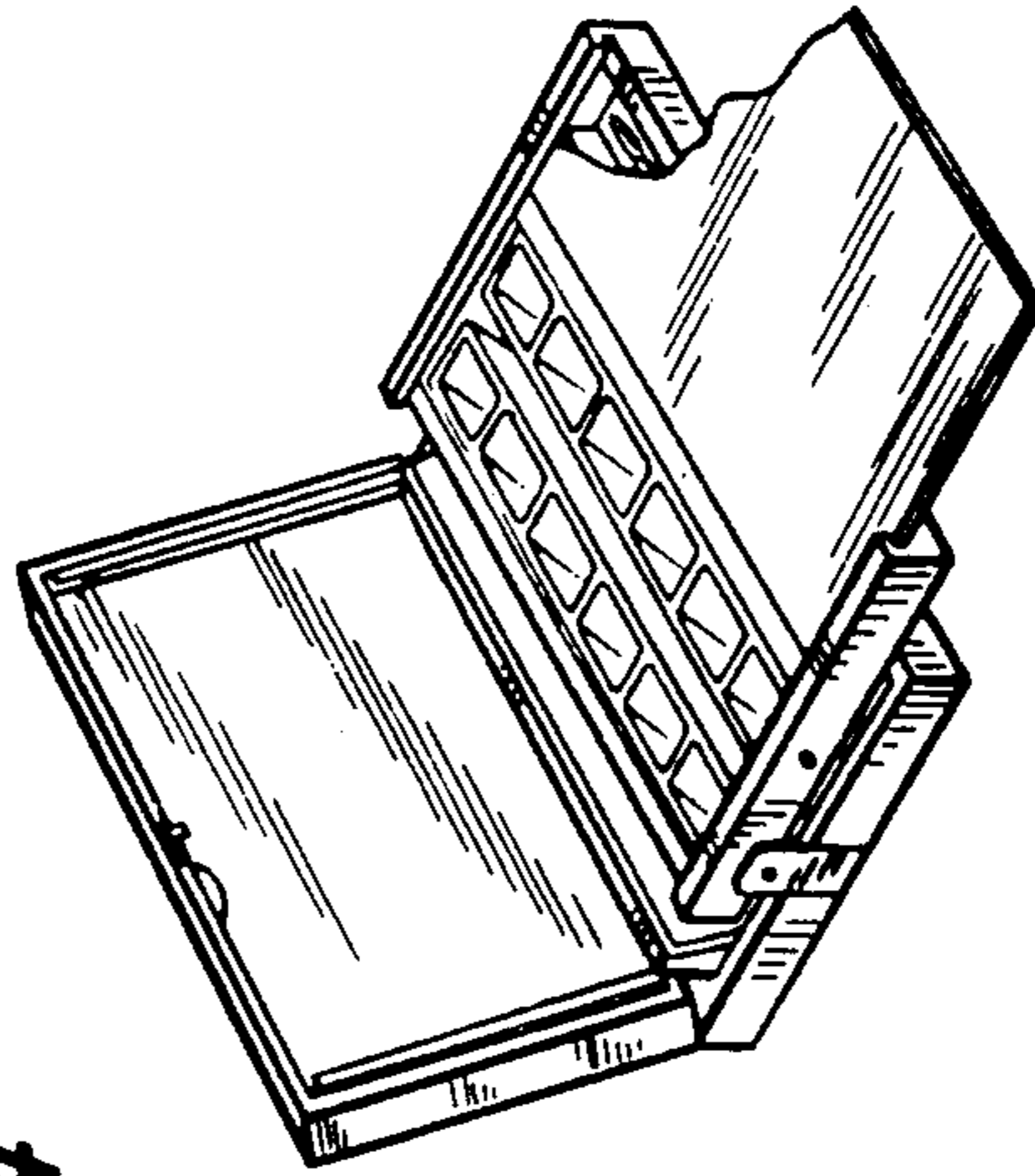


FIG. 10

