

[54] TOY VEHICLE

[75] Inventors: **Howard J. Morrison**, Deerfield;
Palmer J. Schoenfield, Evanston,
both of Ill.

[73] Assignee: **Marvin Glass & Associates**, Chicago,
Ill.

[**] Term: **14 Years**

[21] Appl. No.: **761,391**

[22] Filed: **Jan. 21, 1977**

[51] Int. Cl. **D21-01**

[52] U.S. Cl. **D34/15 AJ**

[58] Field of Search **D34/15 AJ, 15 AM, 15 AT;**
46/201, 202, 206, 210, 213; 280/87.01, 87.02 R,
87.04 R

[56] **References Cited**

U.S. PATENT DOCUMENTS

3,949,999 4/1976 Breslow 280/87.02 R

OTHER PUBLICATIONS

Toys, 8-1976, p. 2, Toy Vehicle.
C & P Telephone Directory, Washington, D.C.,
5-1961, p. 303, Toy Vehicle at bottom of page.

Primary Examiner—Joel Stearman
Assistant Examiner—C. A. Rademaker
Attorney, Agent, or Firm—Richard D. Mason

[57] **CLAIM**

The ornamental design for a toy vehicle, as shown and described.

DESCRIPTION

FIG. 1 is a perspective view of a toy vehicle showing our new design;
FIG. 2 is a front elevational view thereof;
FIG. 3 is a rear elevational view thereof;
FIG. 4 is a top plan view thereof;
FIG. 5 is a side elevational view thereof, the opposite side being a mirror image thereof; and,
FIG. 6 is a bottom plan view thereof.

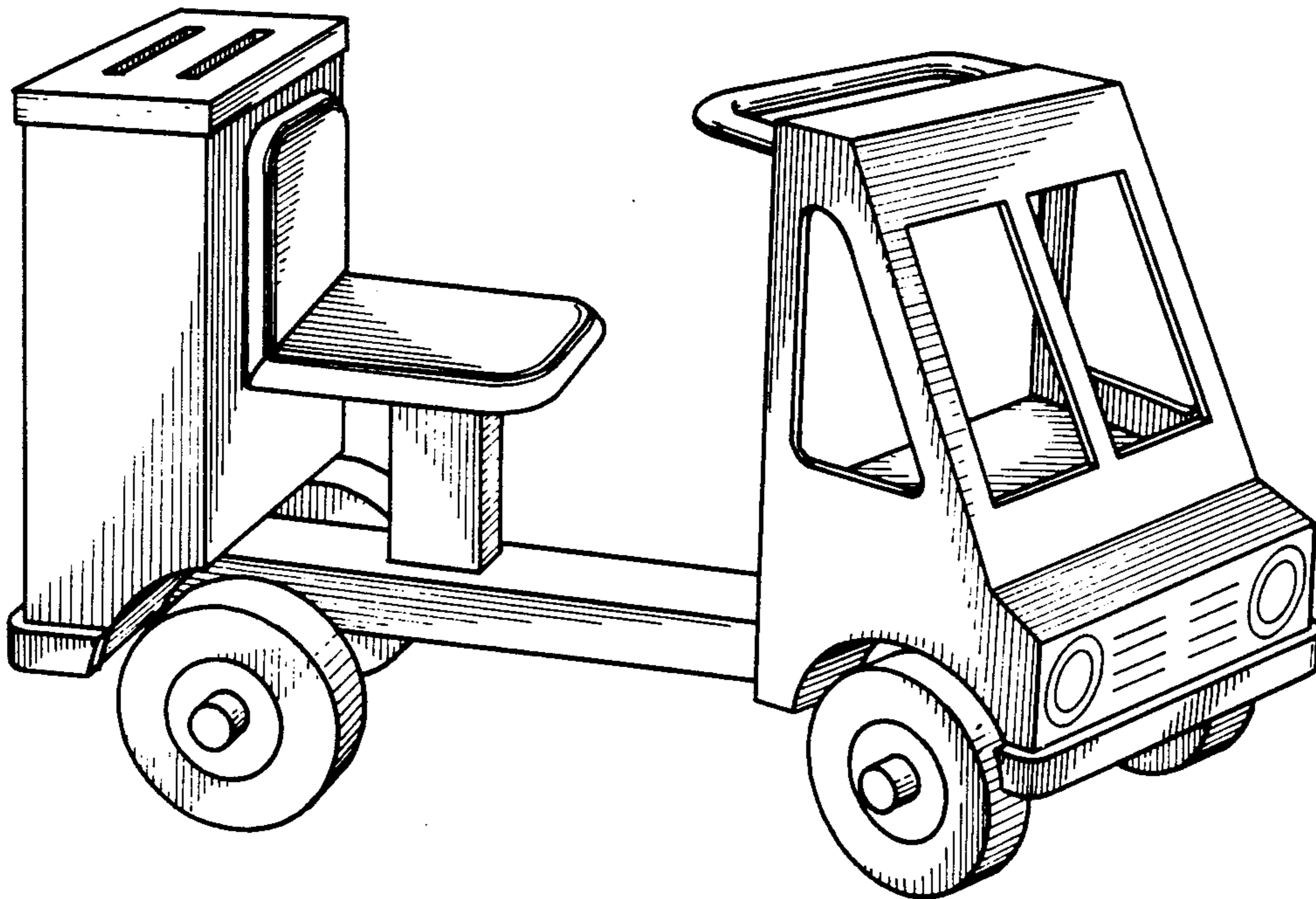


Fig 1

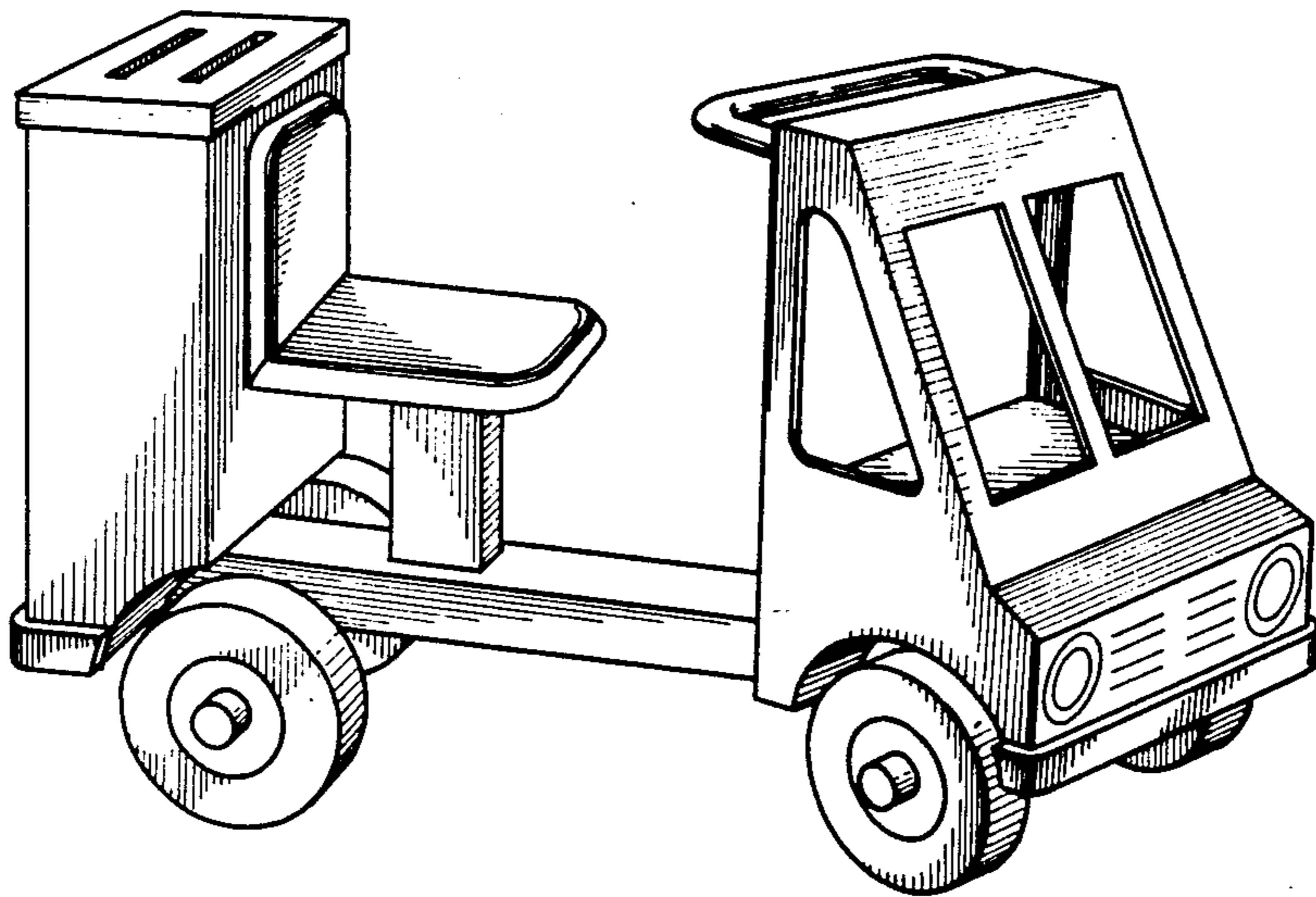


Fig 2

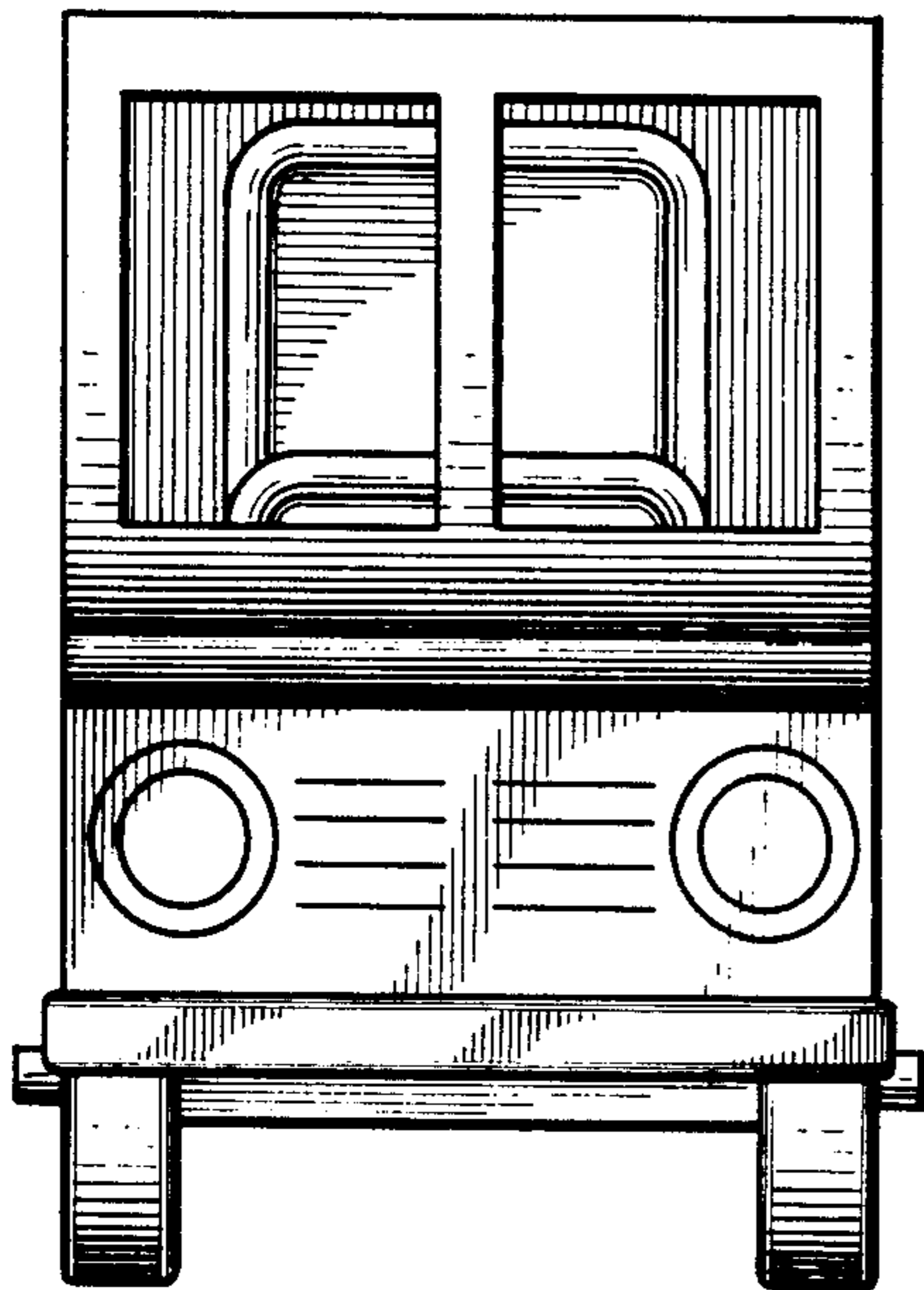


Fig 3

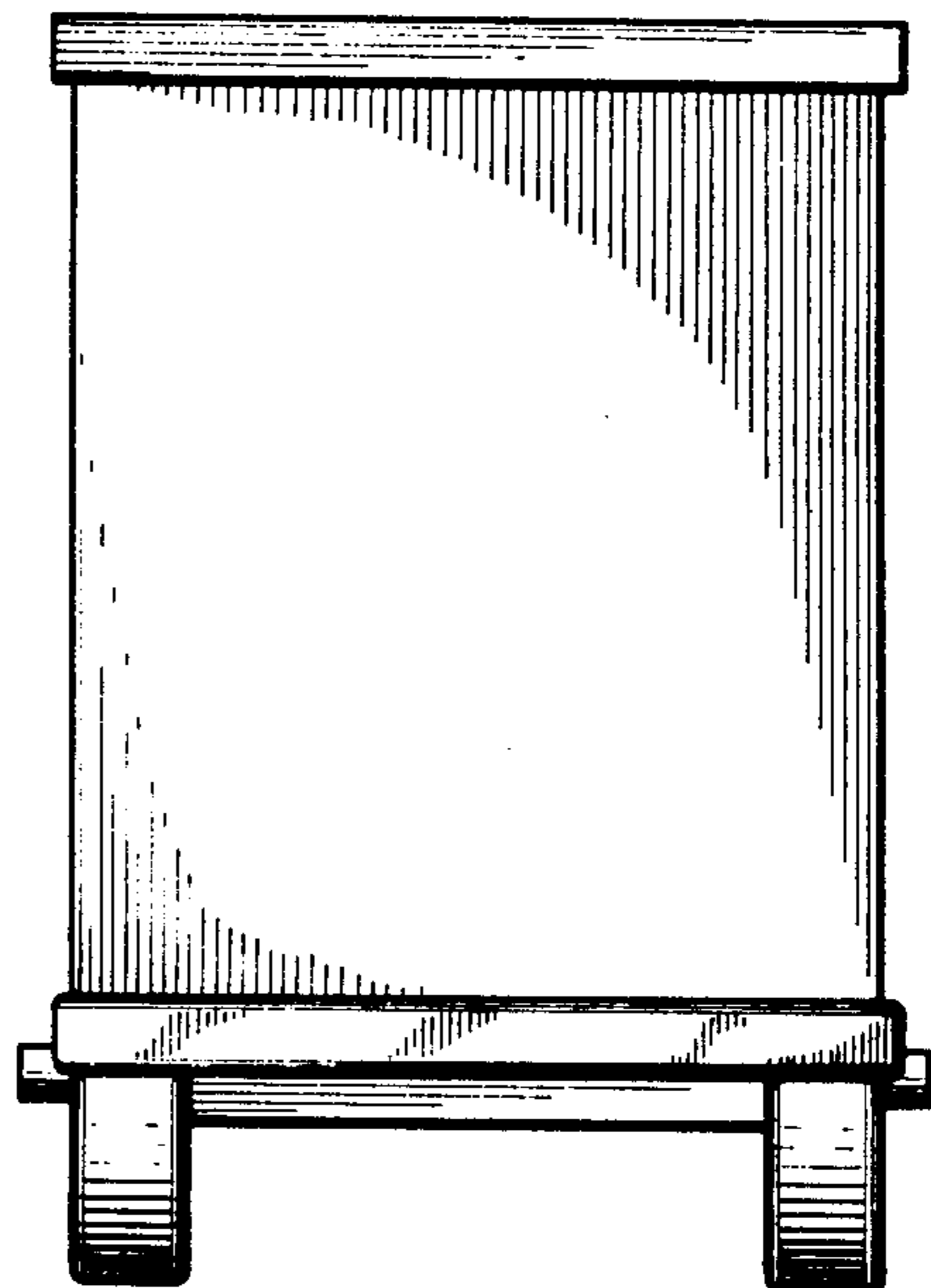


Fig 4

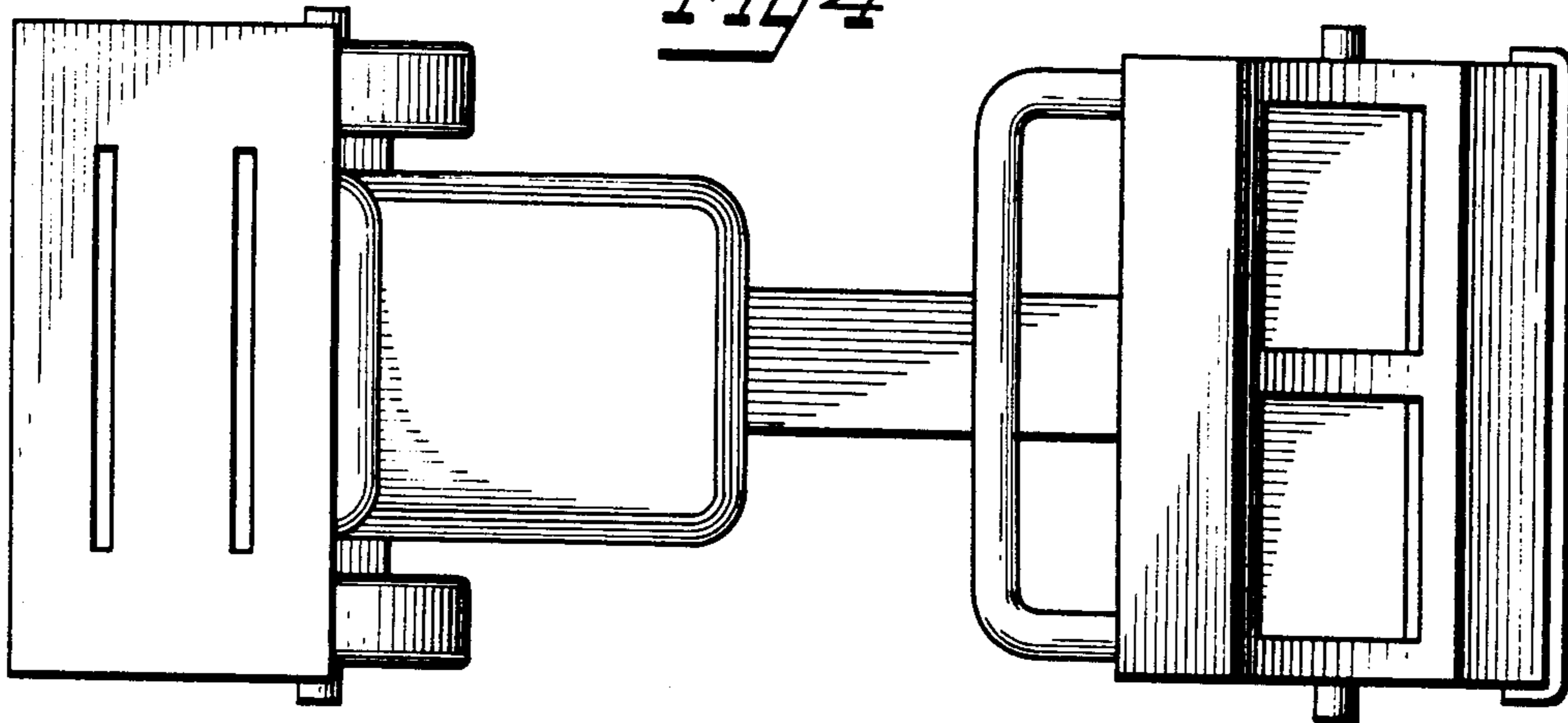


Fig 5

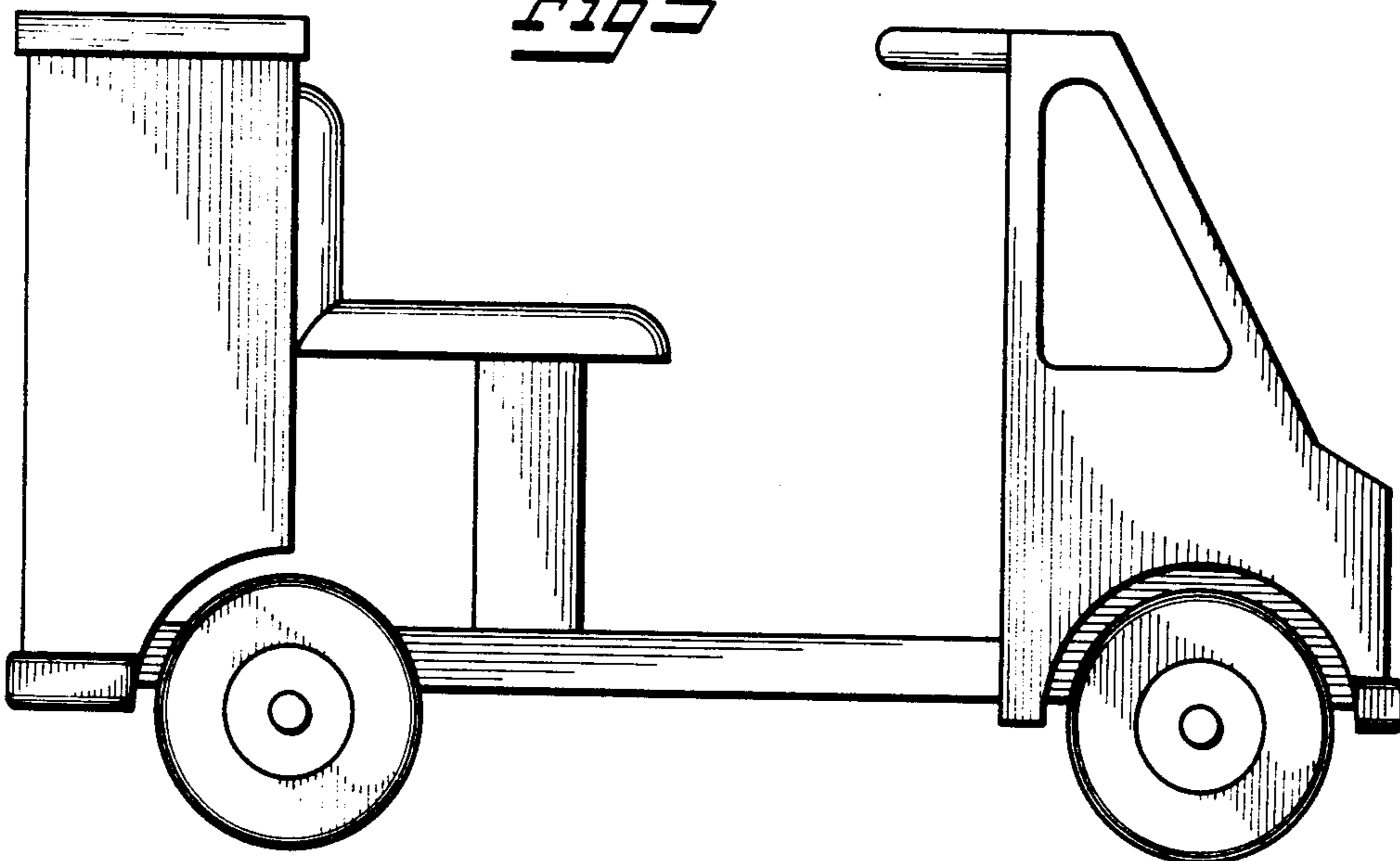


Fig 6

