

[54] INVALID'S TREATMENT BASIN

[76] Inventor: Beatrice M. Charewicz, 28 Longview St., Lanesboro, Mass. 01237

[**] Term: 14 Years

[21] Appl. No.: 767,304

[22] Filed: Feb. 10, 1977

[51] Int. Cl. D24-99

[52] U.S. Cl. D24/56; D23/48

[58] Field of Search 4/159, 182; 128/369, 128/370; D23/48, 55; D24/56

[56] References Cited

U.S. PATENT DOCUMENTS

D. 219,323	11/1970	Bost	D24/56
3,465,370	9/1969	Chernick	4/159
3,827,087	8/1974	Cuthbertson	128/369 X
4,024,590	5/1977	Wendt	4/166

Primary Examiner—Bernard Ansher

[57] CLAIM

The ornamental design for an invalid's treatment basin, as shown and described.

DESCRIPTION

FIG. 1 is a top perspective view of an invalid treatment basin showing my new design;

FIG. 2 is a side elevation thereof;

FIG. 3 is a bottom plan view thereof;

FIG. 4 is an elevation as seen from the right of FIG. 1; and

FIG. 5 is a cross-section taken on line 5—5 of FIG. 2. The basin is designed with inward formed top tip to prevent-liquids from splashing. It incorporates a drain for use with or without a flexible hose for ease of draining liquids accumulated in the basin. The basin has pockets on the outside for insertion on a stand which would support the basin.

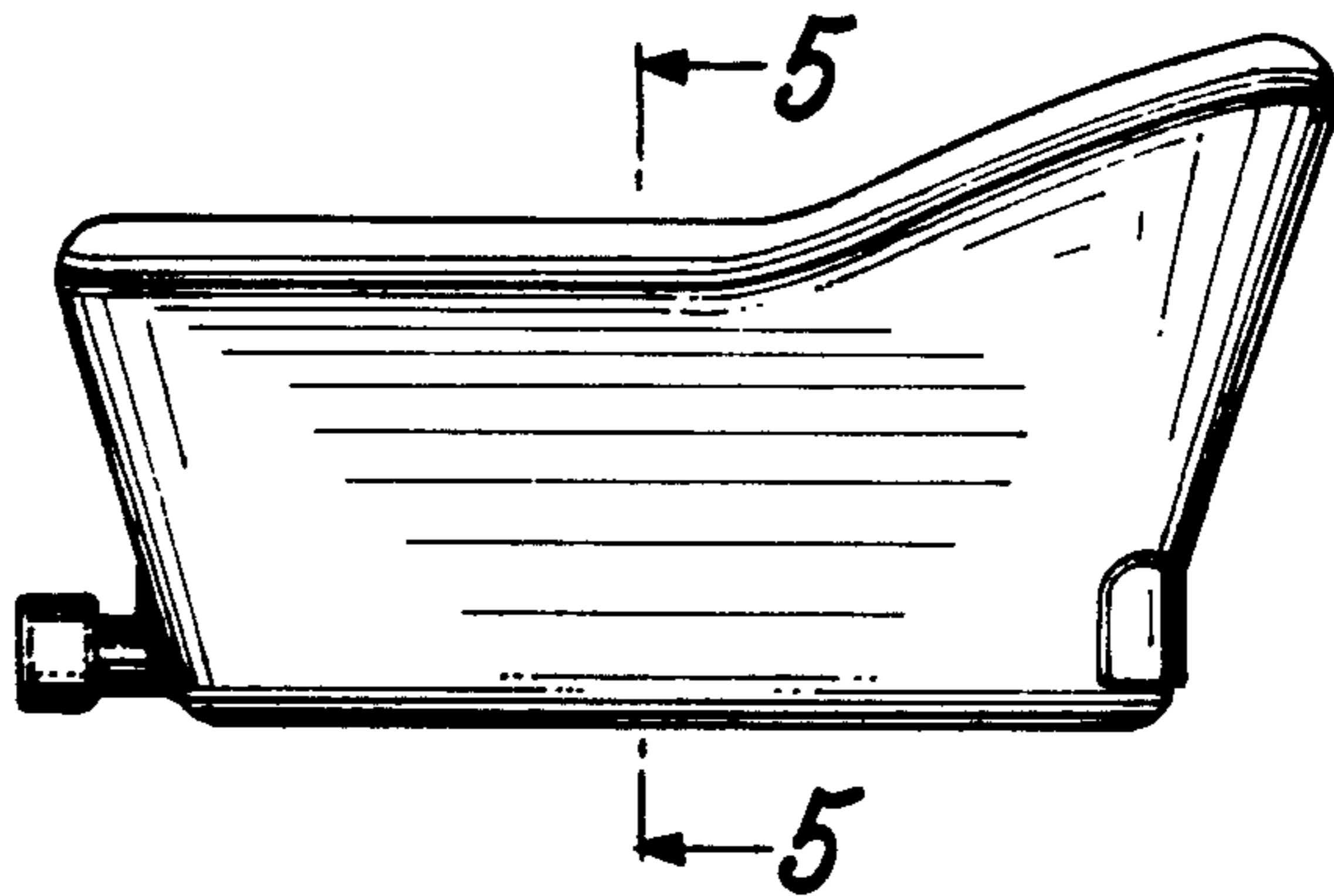
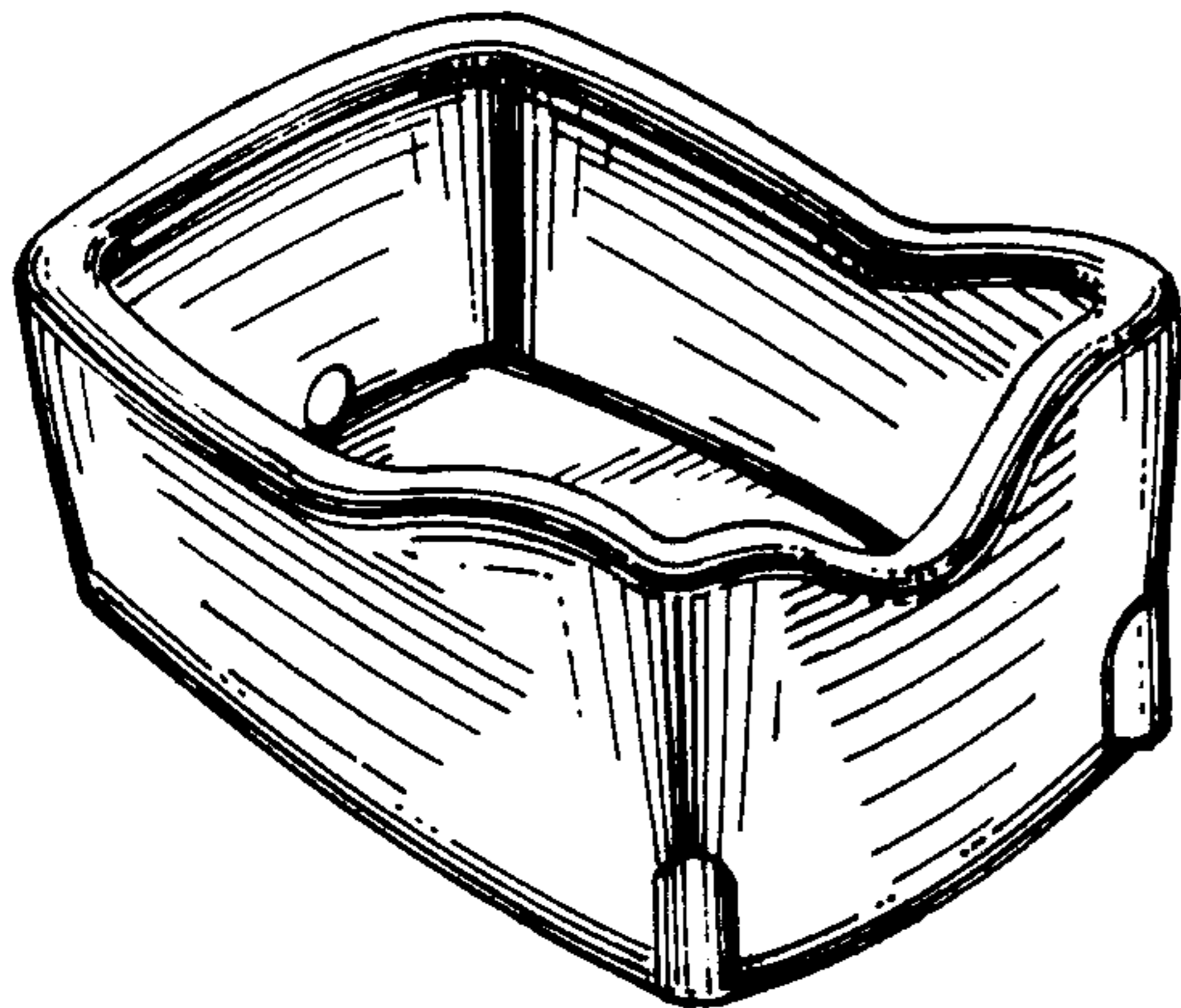


Fig. 1.

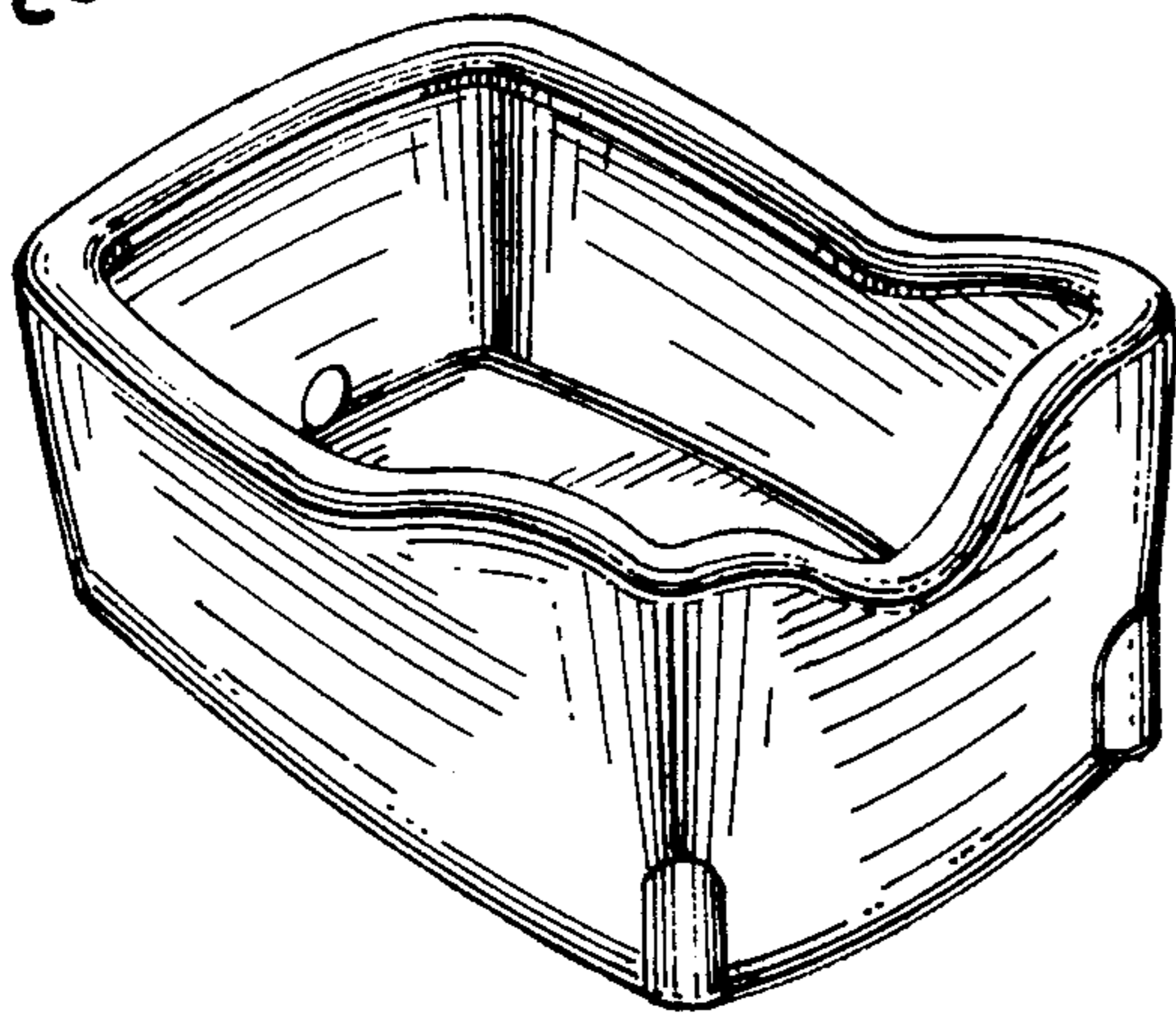


Fig. 4.

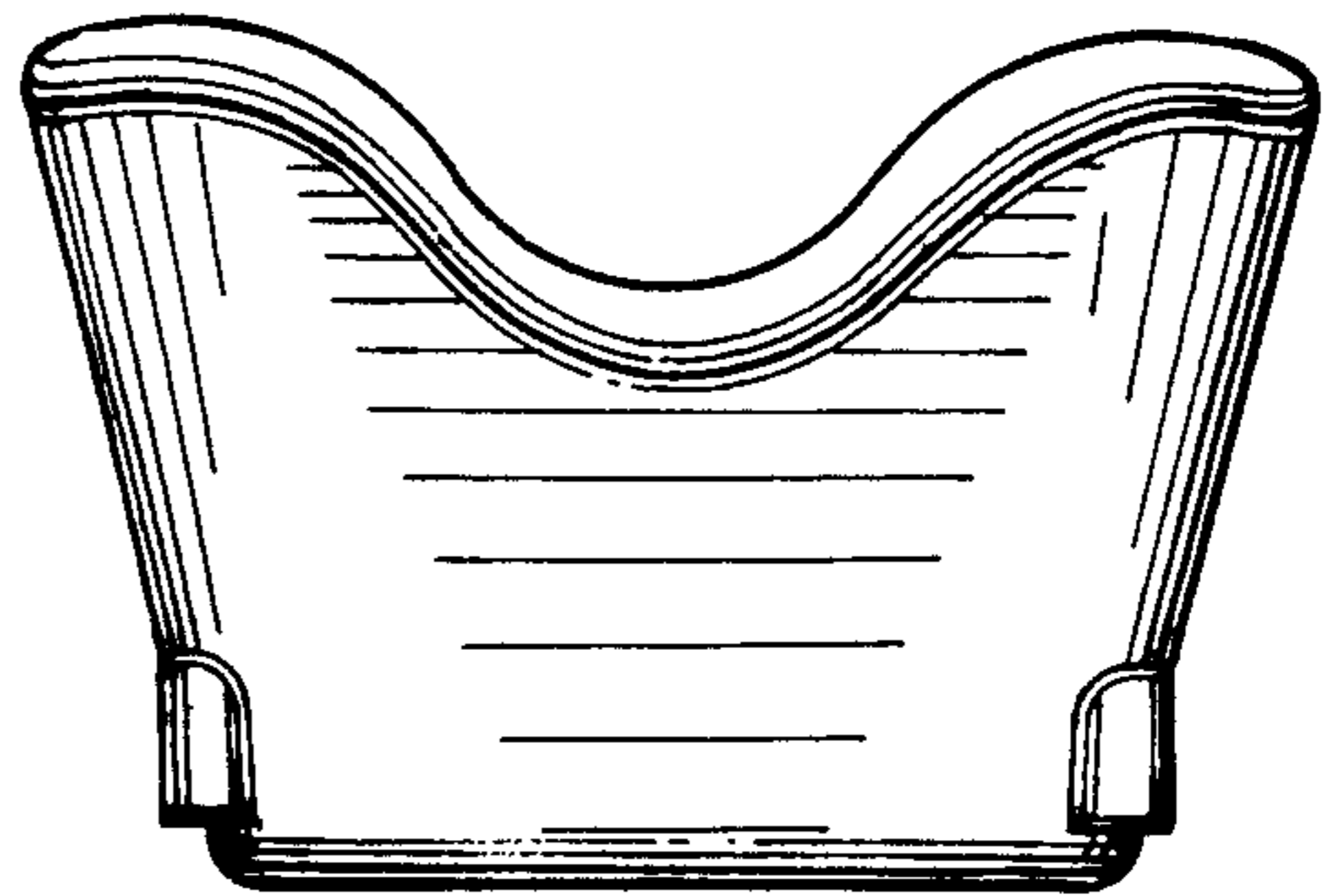


Fig. 2.

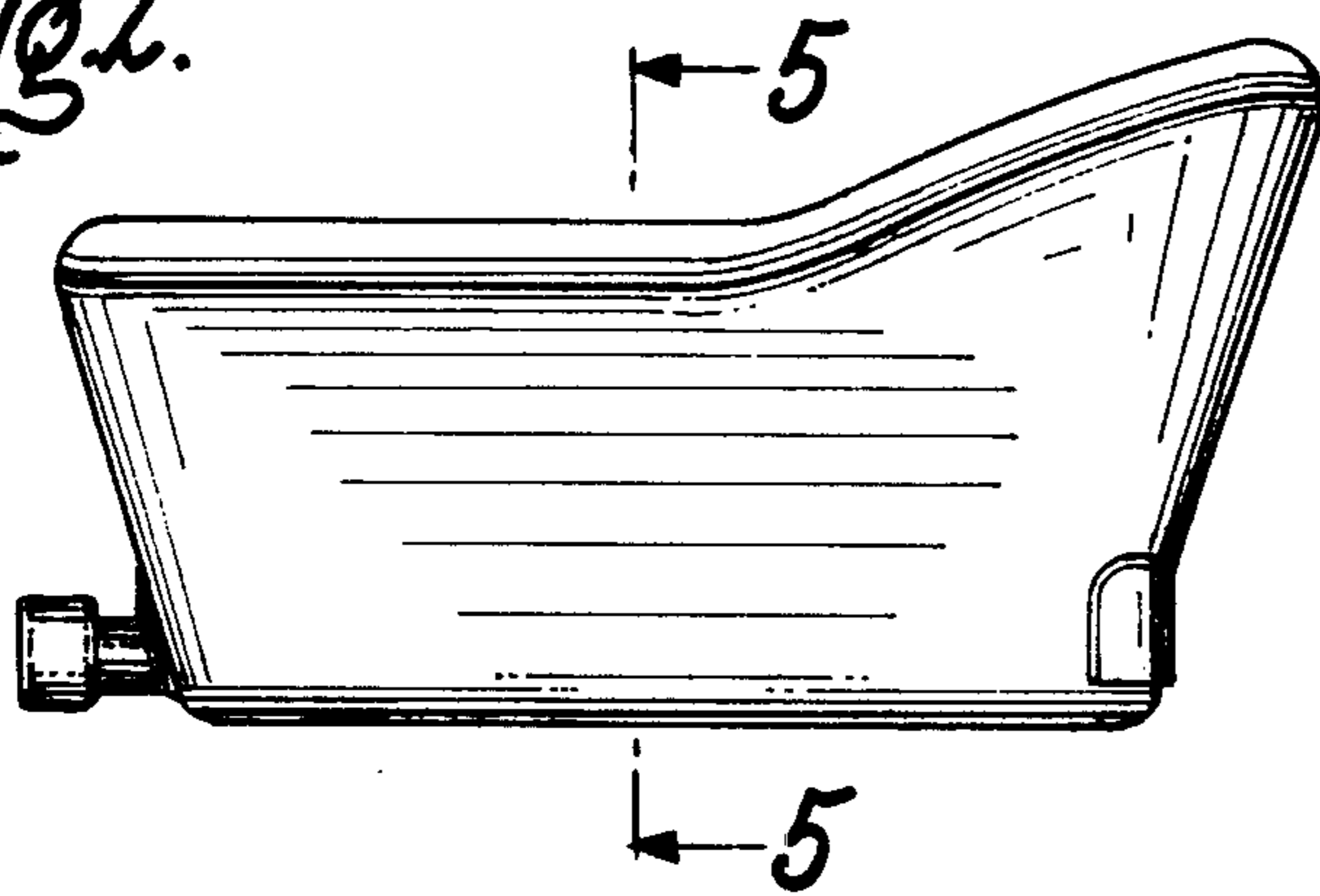


Fig. 5.

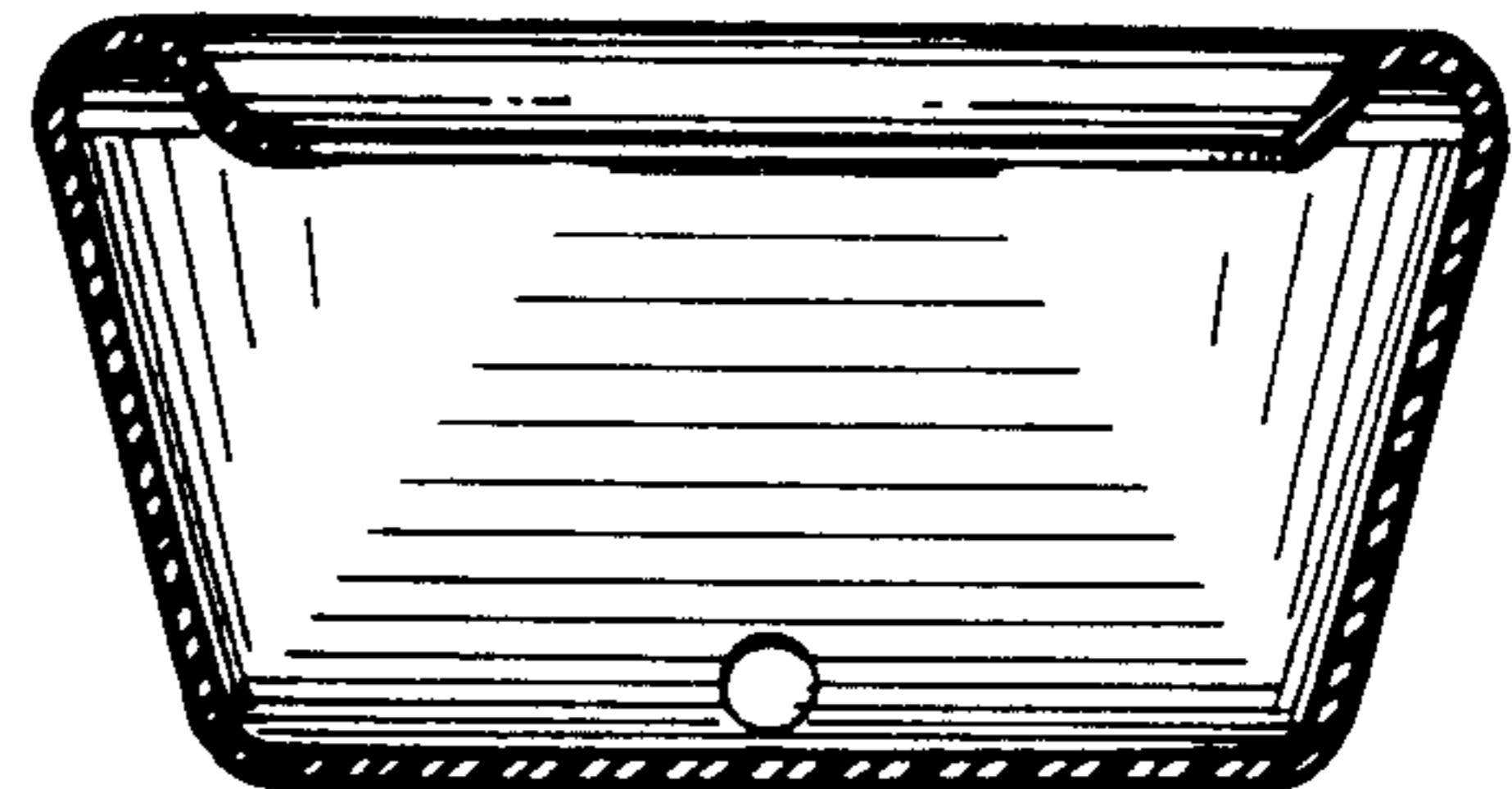


Fig. 3.

