

- [54] **PORTABLE NUMERICAL STEREO COMPILER OR THE LIKE**
- [75] **Inventor: H. Dell Foster, San Antonio, Tex.**
- [73] **Assignee: Keuffel & Esser Company, Morristown, N.J.**
- [**] **Term: 14 Years**
- [21] **Appl. No.: 795,573**
- [22] **Filed: May 10, 1977**
- [51] **Int. Cl. D16-06**
- [52] **U.S. Cl. D16/48**
- [58] **Field of Search D16/48, 83; 33/20 D; D10/46**

3,116,555	1/1964	Helava	33/20 D
3,678,582	7/1972	Helava	33/20 D
3,729,830	5/1973	Blachut	33/20 D
3,750,293	8/1973	Forrest	33/20 D

OTHER PUBLICATIONS

Zeiss Aerotopo Brochure #ZA215e-9/14/55-p. 3-Mirror Stereo-Scope.

Primary Examiner—Nelson C. Holtje
Attorney, Agent, or Firm—Lionel N. White

[57] **CLAIM**

The ornamental design for a portable numerical stereo compiler or the like, as shown and described.

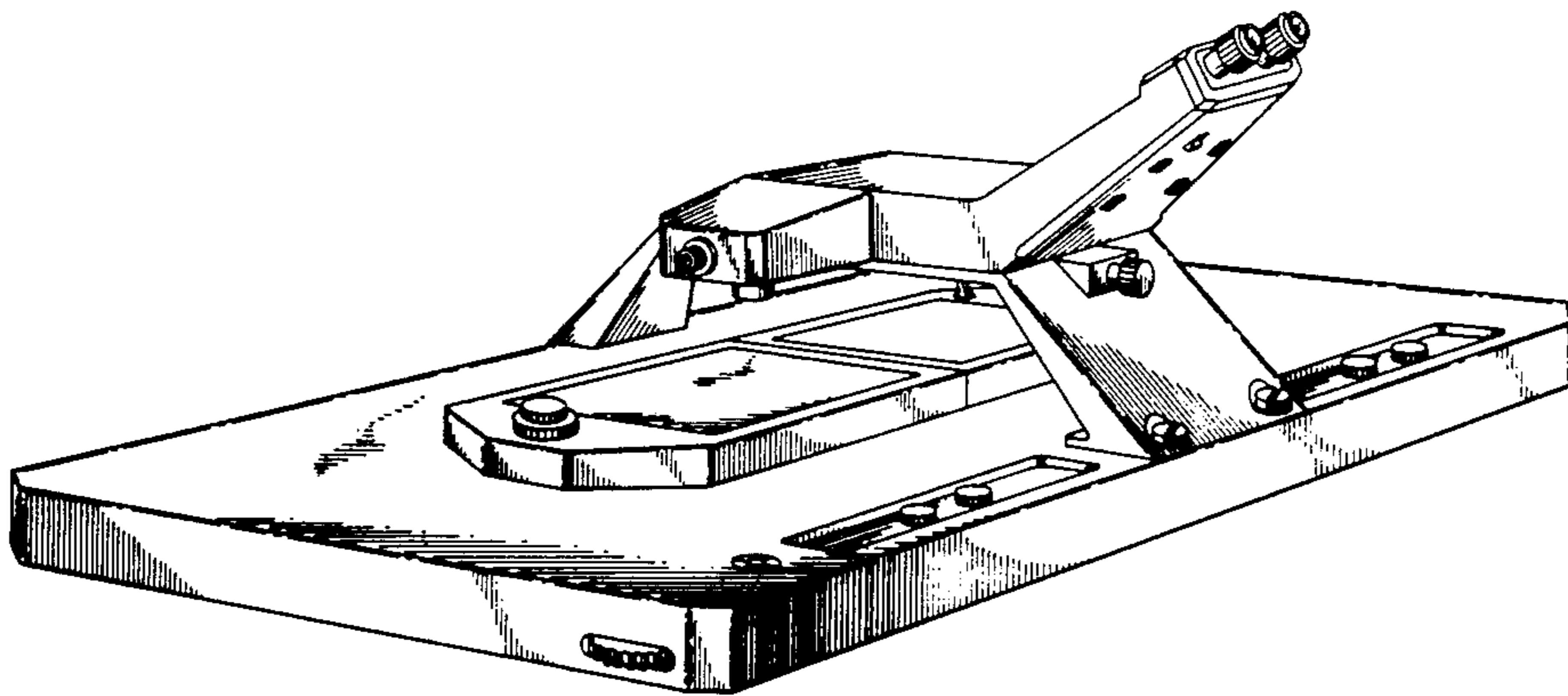
DESCRIPTION

FIG. 1 is a left front perspective view of a portable numerical stereo compiler or the like showing my new design, the right side being substantially a mirror image thereto;

FIG. 2 is a rear elevational view thereof.

[56] **References Cited**
U.S. PATENT DOCUMENTS

D. 163,355	5/1951	Bintz	D16/48
D. 215,968	11/1969	Henshaw	D16/48



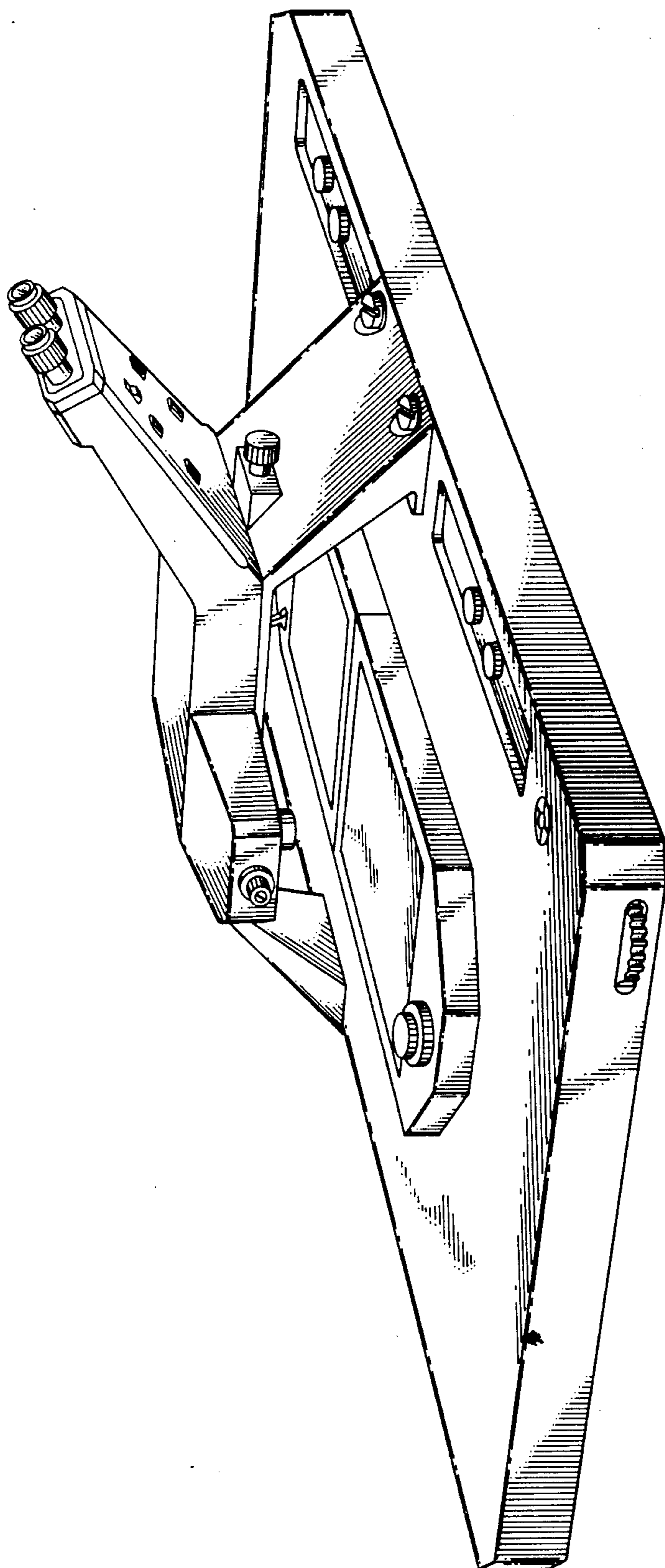


FIG. 1

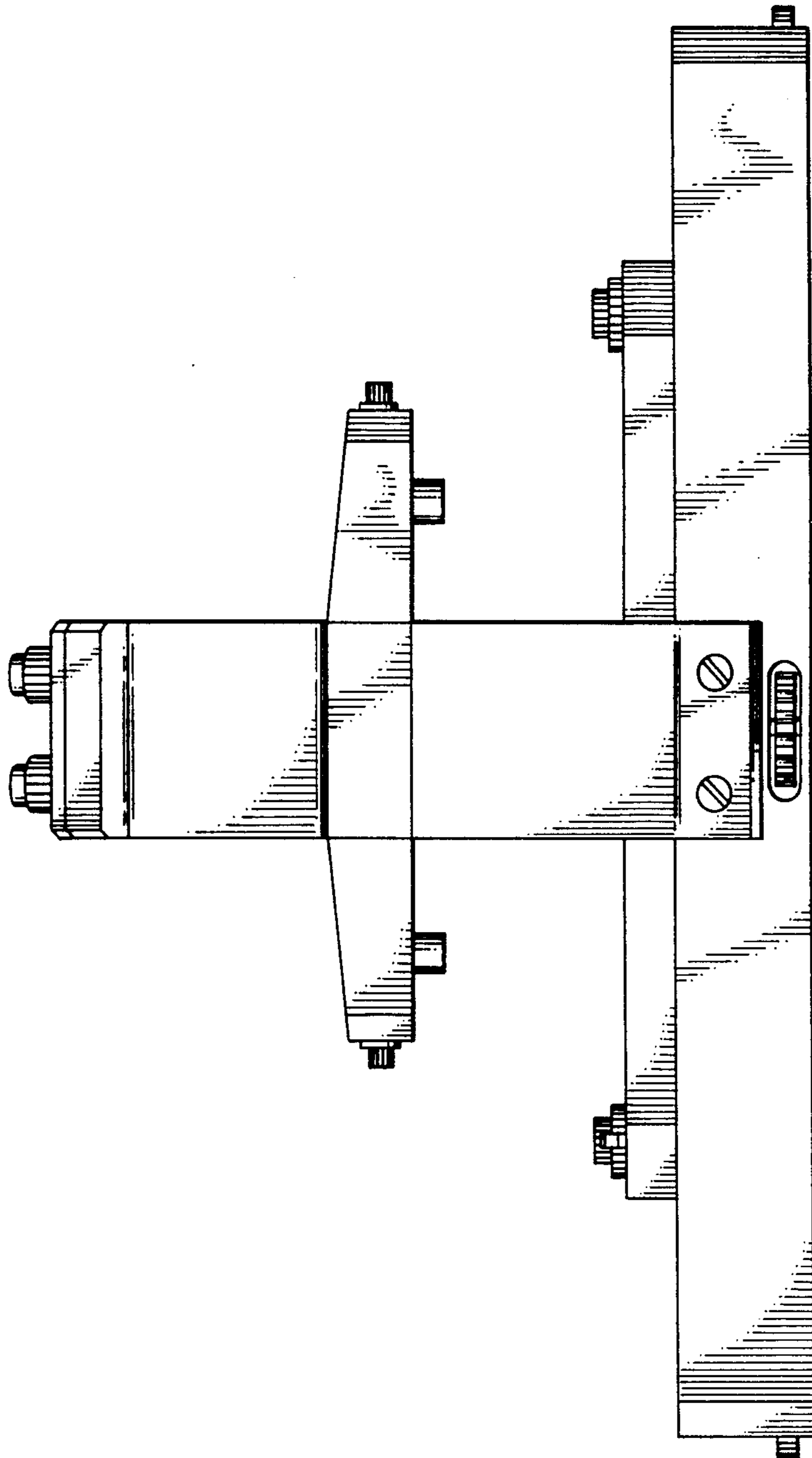


FIG. 2