

[54] ROOF PANEL FOR AUTOMOTIVE VEHICLES

2,173,890 9/1939 Tuttle 98/2.14
3,764,179 10/1973 Burton 296/137 R

[76] Inventor: Michael D. Dix, Rte. 2, Box 316, Cedar Hill, Mo. 63016

Primary Examiner—James M. Gandy
Attorney, Agent, or Firm—Jerome A. Gross

[**] Term: 14 Years

[57] CLAIM

[21] Appl. No.: 807,047

The ornamental design for a roof panel for automotive vehicles, substantially as shown.

[22] Filed: Jun. 16, 1977

DESCRIPTION

[51] Int. Cl. D12-16

FIG. 1 is a top plan view of a roof panel for automotive vehicles showing my new design;

[52] U.S. Cl. D12/156; D12/183

FIG. 2 is a rear end elevational view thereof;

[58] Field of Search D12/156, 183, 196;

FIG. 3 is a bottom plan view thereof;

296/137 R, 137 B, 137 H, 137 E; 49/504, 394, 393; 52/208

FIG. 4 is a front end elevational view thereof;

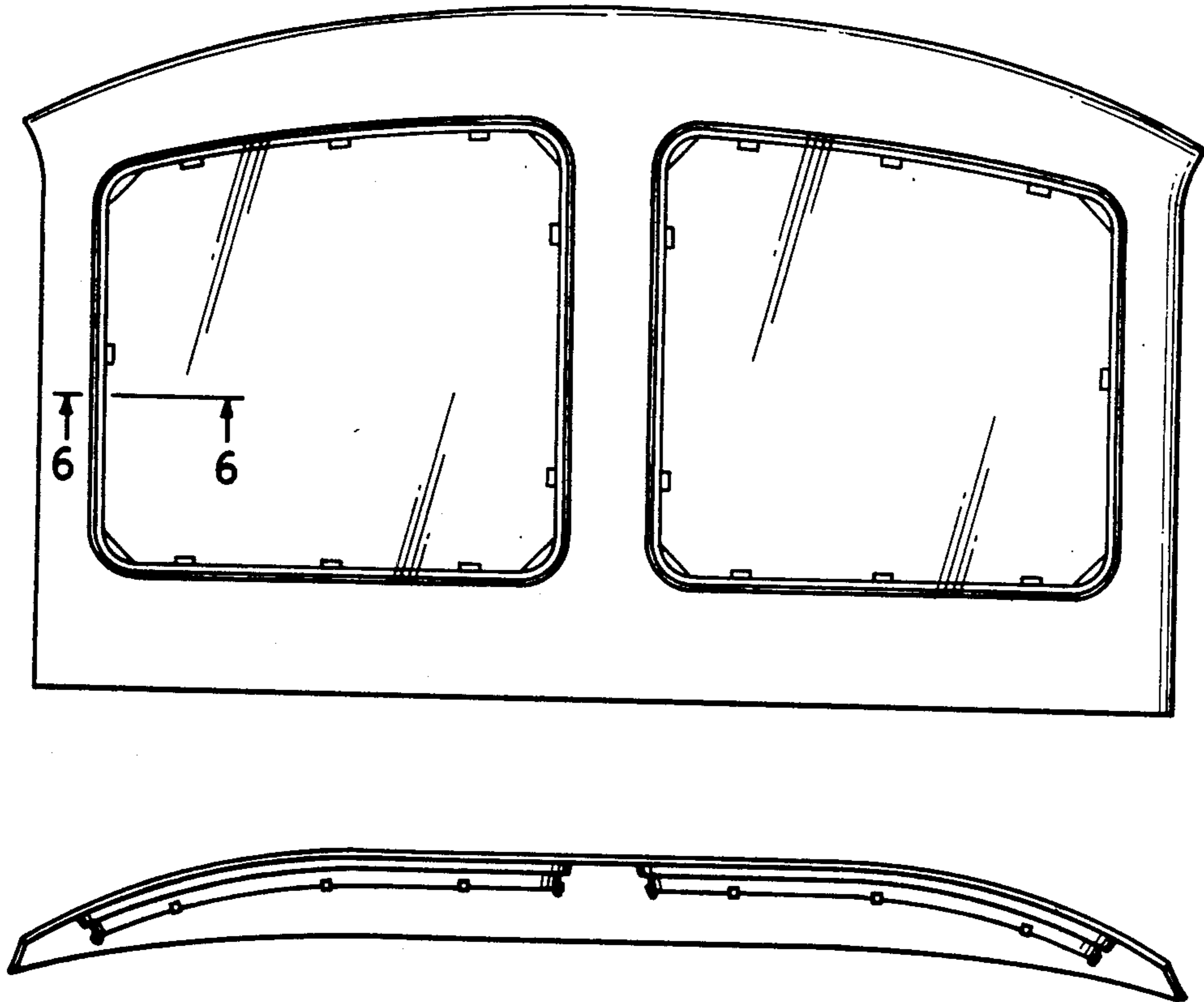
FIG. 5 is a side elevational view thereof, the opposite side being substantially a mirror image of the side shown herein; and

[56] References Cited

U.S. PATENT DOCUMENTS

D. 235,536 6/1975 Boston, Jr. et al. D12/183

FIG. 6 is an enlarged fragmentary sectional view thereof taken along line 6-6 of FIG. 1.



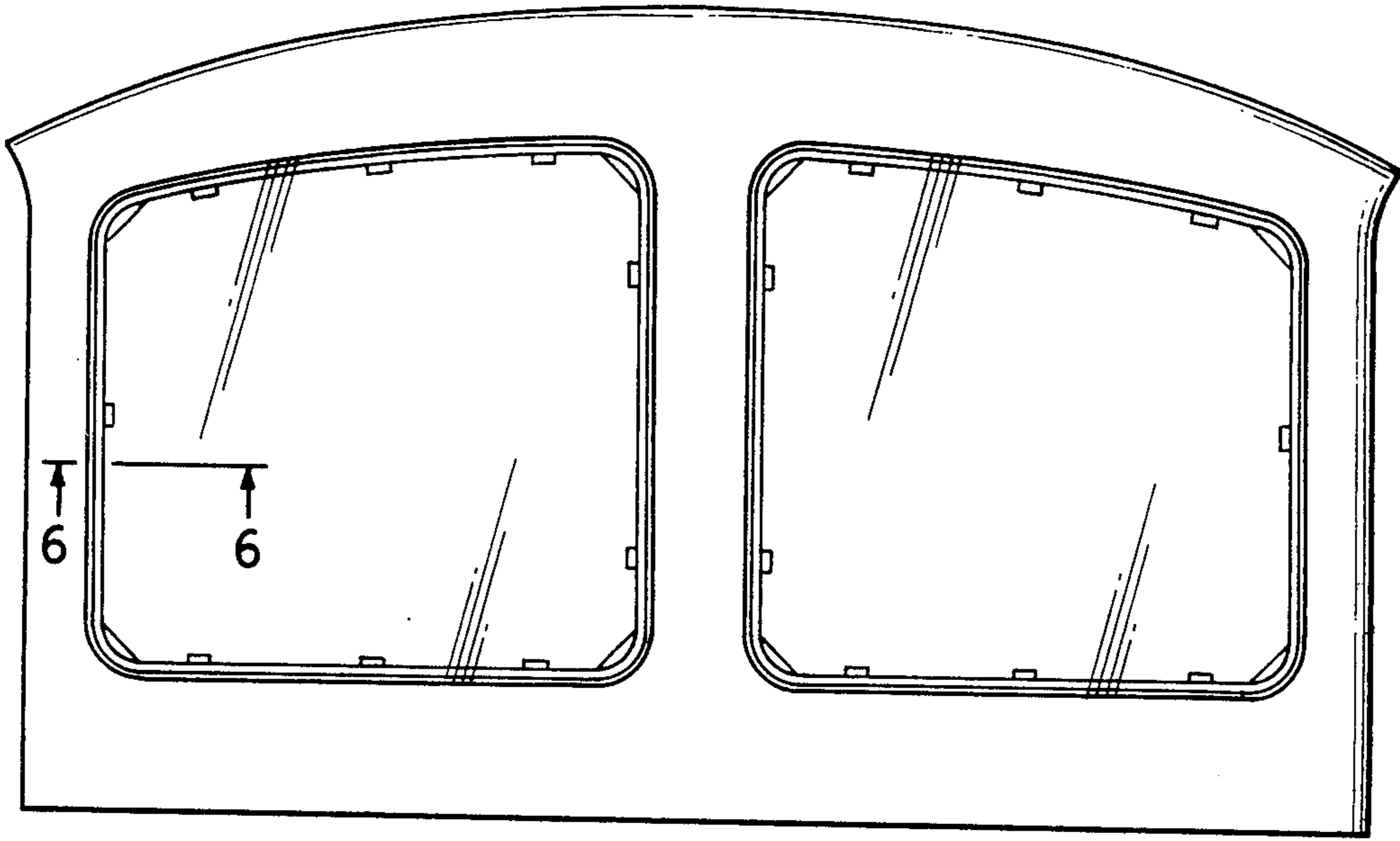


FIG. 1



FIG. 2

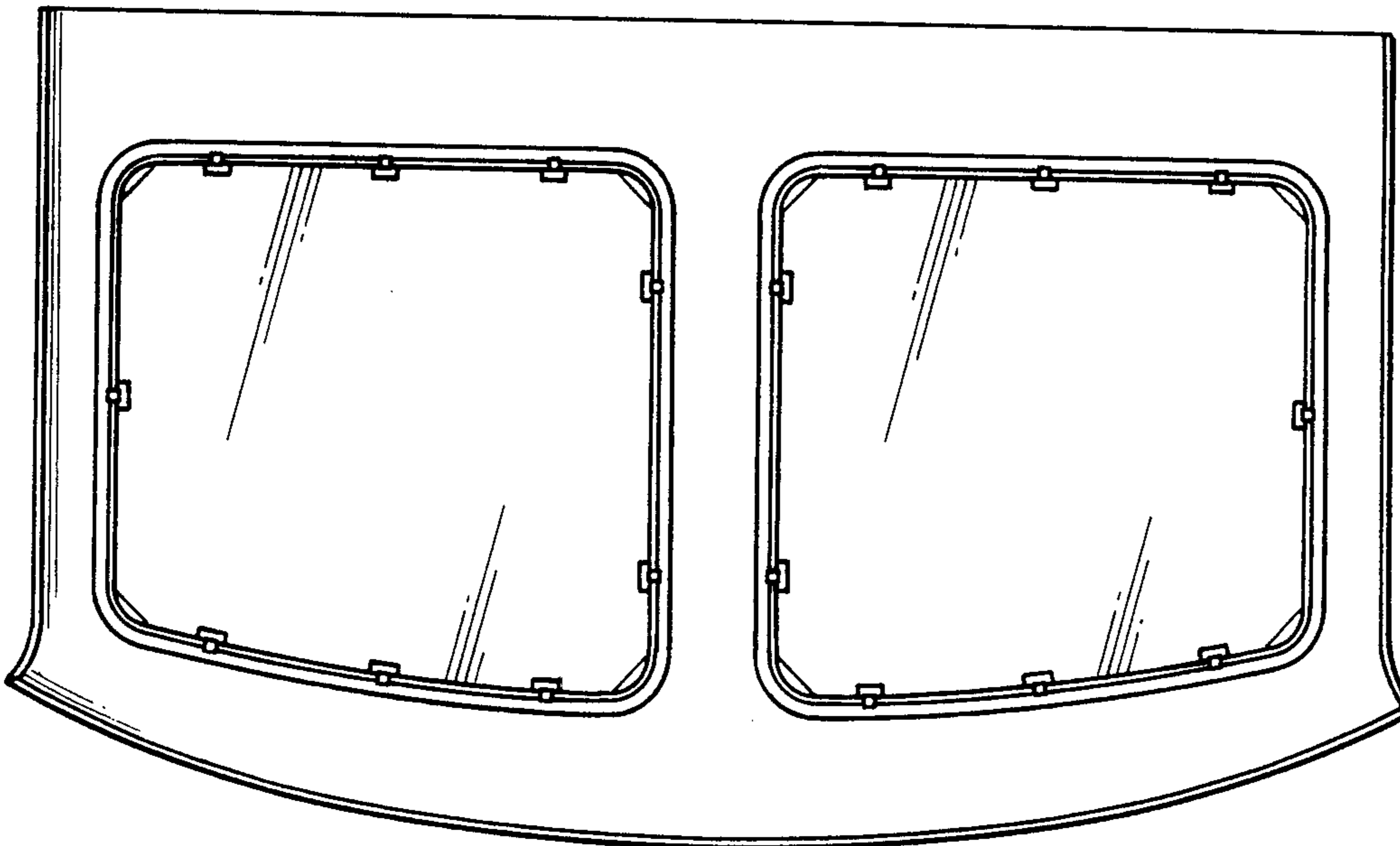


FIG. 3



FIG. 4

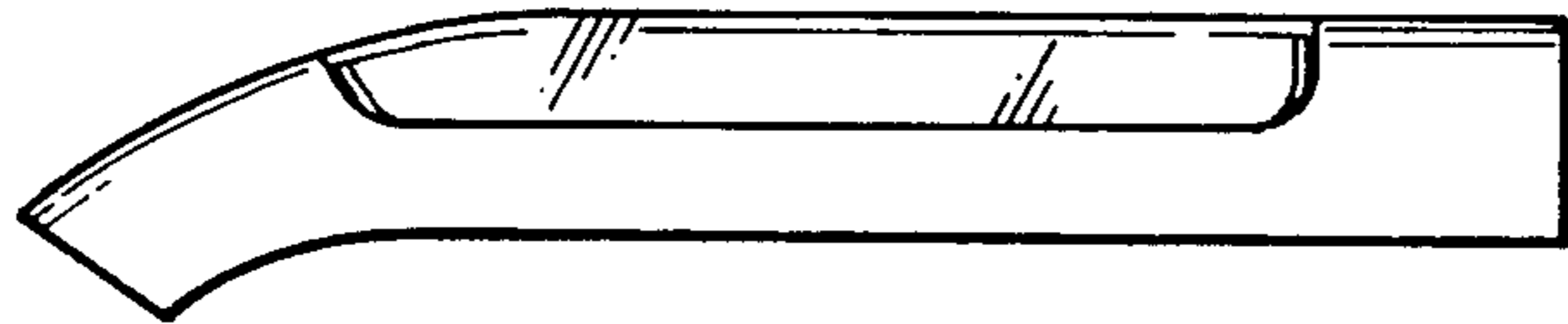


FIG. 5

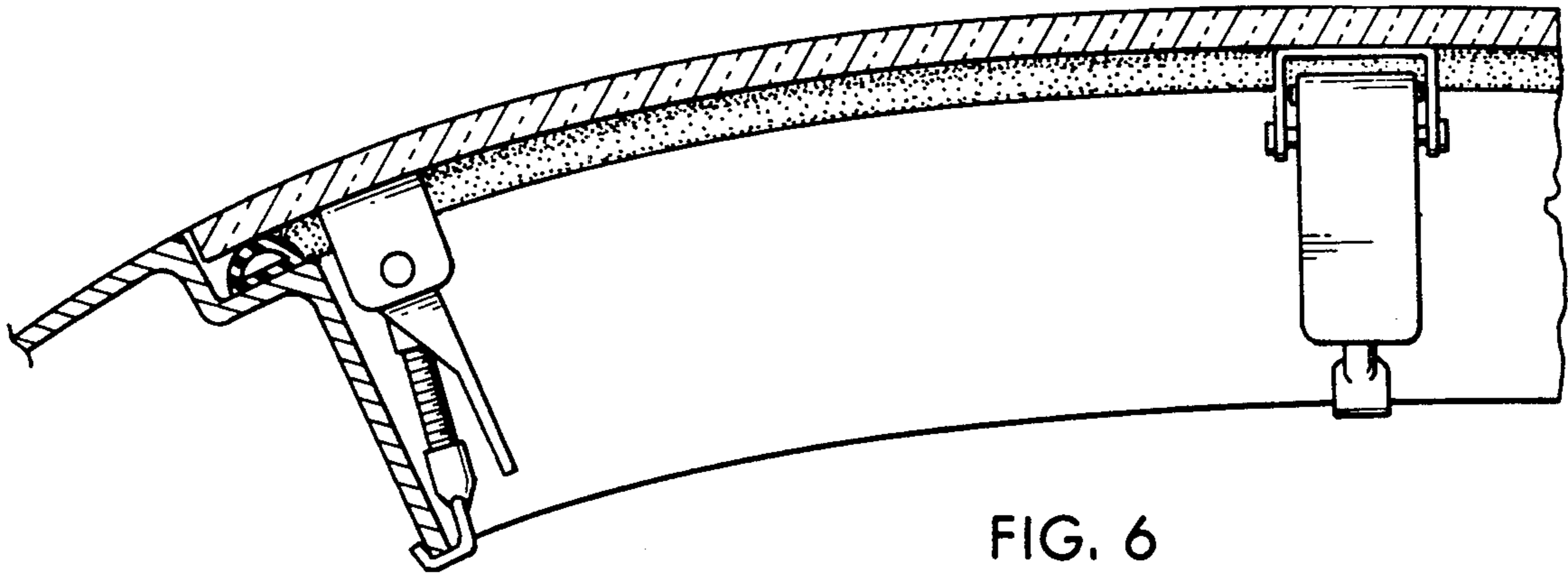


FIG. 6