

[54] GRAB BAR FOR RECREATIONAL VEHICLES

[76] Inventor: Arthur L. Peterson, 2679 Keats
Thousand Oaks, Calif. 91360

[**] Term: 14 Years

[21] Appl. No.: 798,395

[22] Filed: May 19, 1977

[51] Int. Cl. D12-16

[52] U.S. Cl. D12/155; D6/86

[58] Field of Search D8/300, 315, 316, 319,
D8/320; D12/155; 296/71; 280/756; 16/110 R,
111 R, 114 R; D6/86

[56] References Cited

U.S. PATENT DOCUMENTS

| | | | |
|------------|---------|-----------------------|----------|
| D. 204,563 | 4/1966 | Scarborough, Jr. | D8/373 |
| 758,482 | 4/1904 | Smith | 16/114 R |
| 3,414,910 | 12/1968 | Provi et al. | 16/111 R |

Primary Examiner—James M. Gandy
Attorney, Agent, or Firm—Richard M. Worrel

[57] CLAIM

The ornamental design for a grab bar for recreational vehicles, substantially as shown and described.

DESCRIPTION

FIG. 1 is a perspective view of a grab bar for recreational vehicles showing my new design.

FIG. 2 is a top plan view thereof.

FIG. 3 is a side elevational view thereof.

FIG. 4 is an end elevational view thereof.

The side and end opposite the respective side and end illustrated in FIGS. 3 and 4 are mirror images of the respective views.

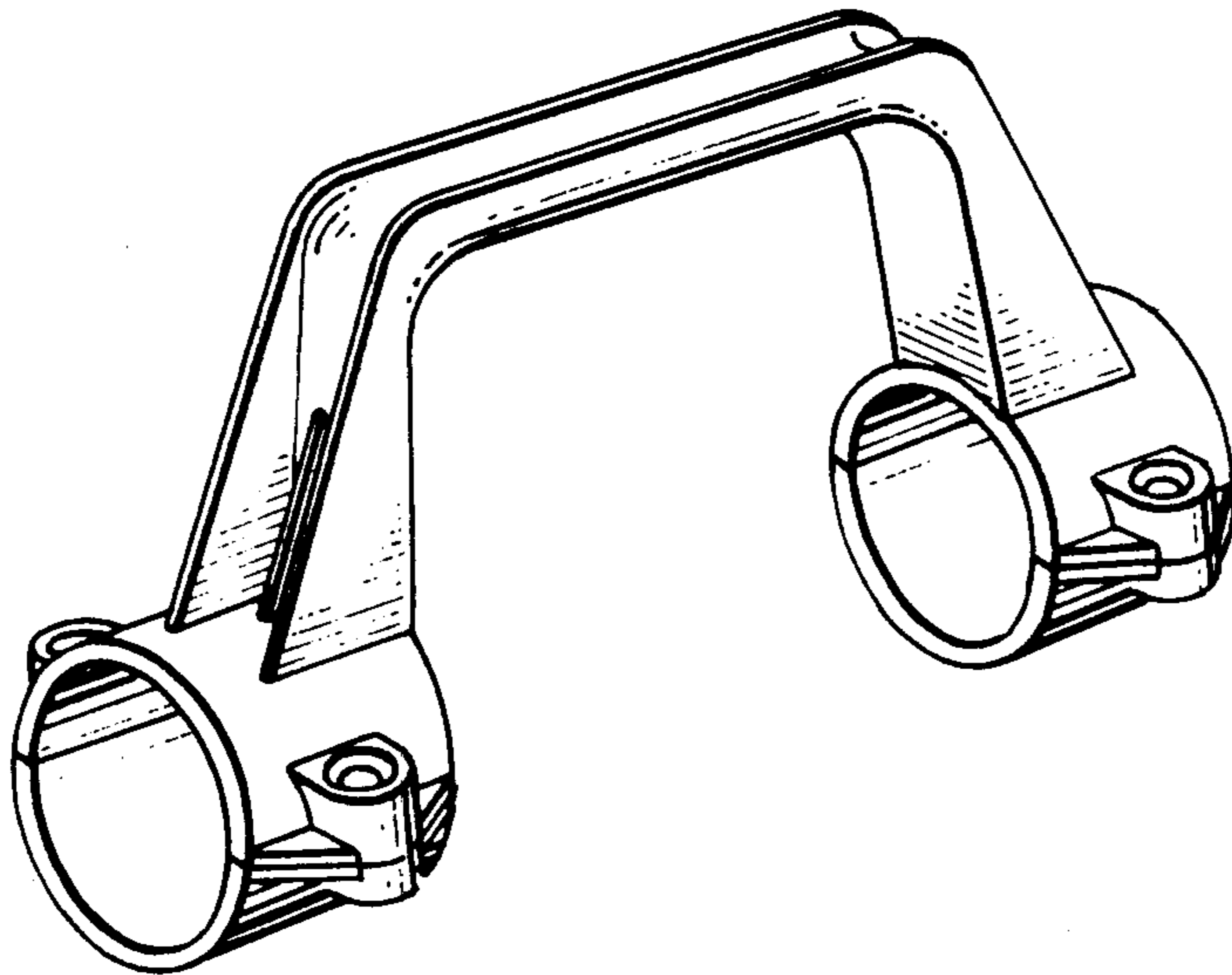


FIG. 1.

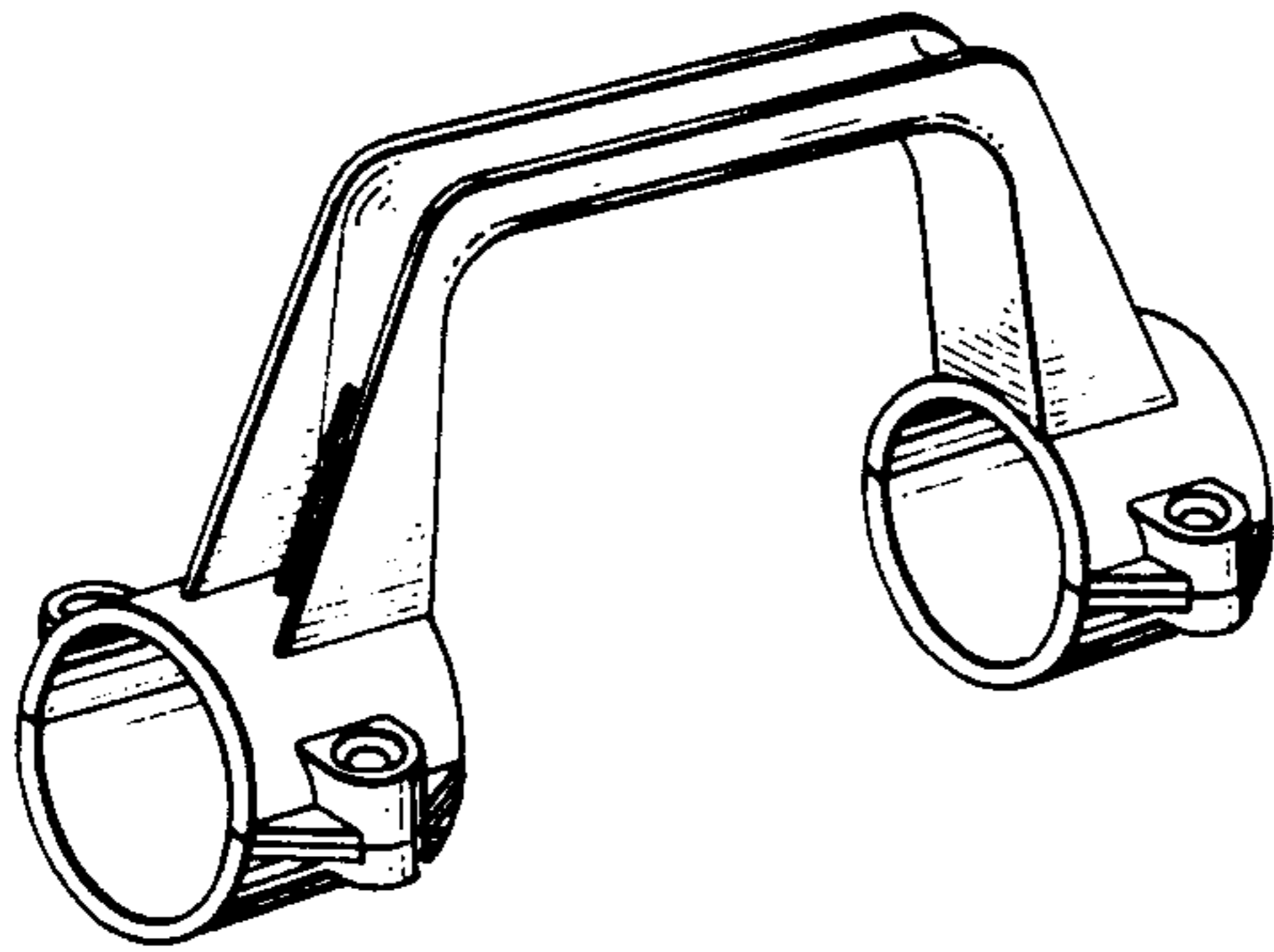


FIG. 2.

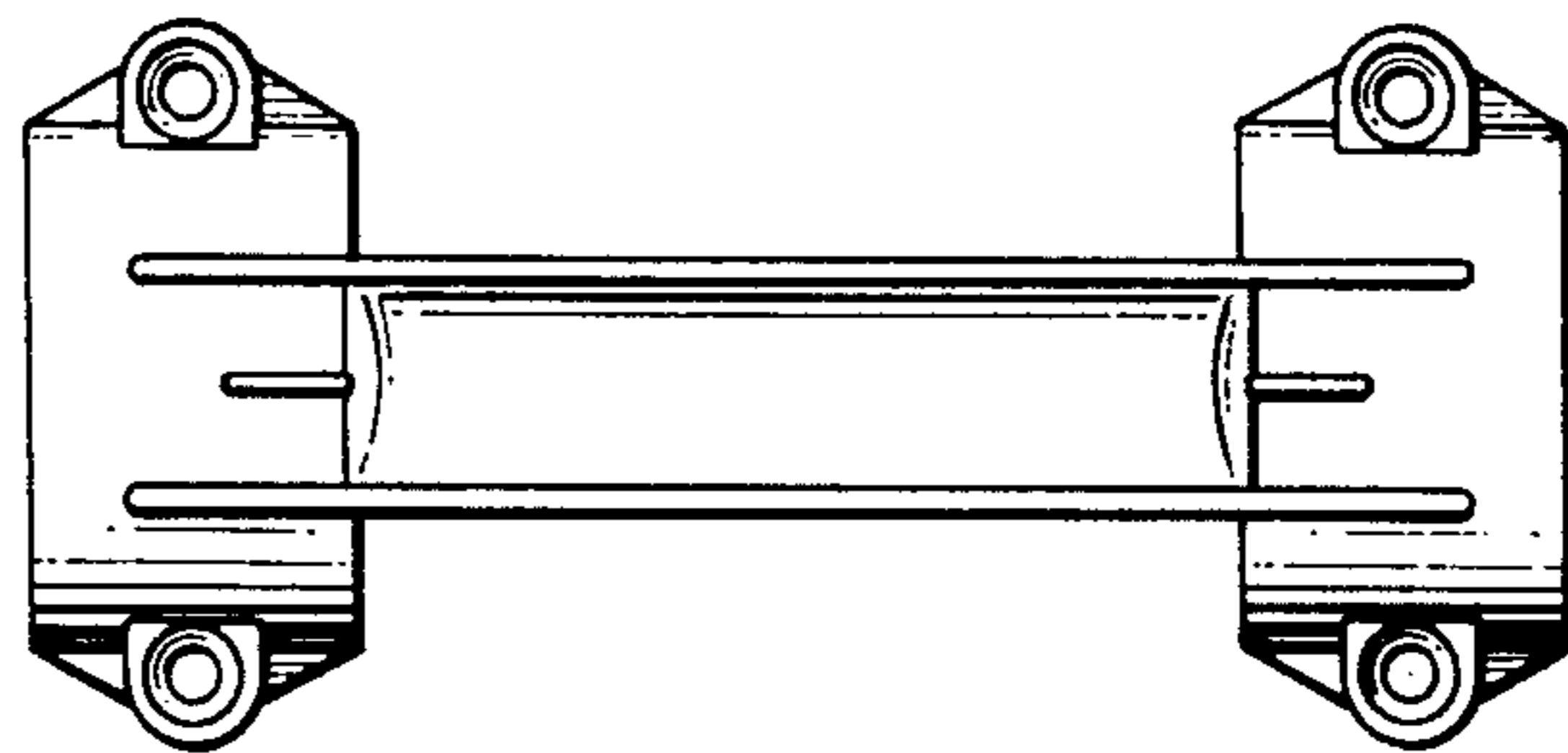


FIG. 3.

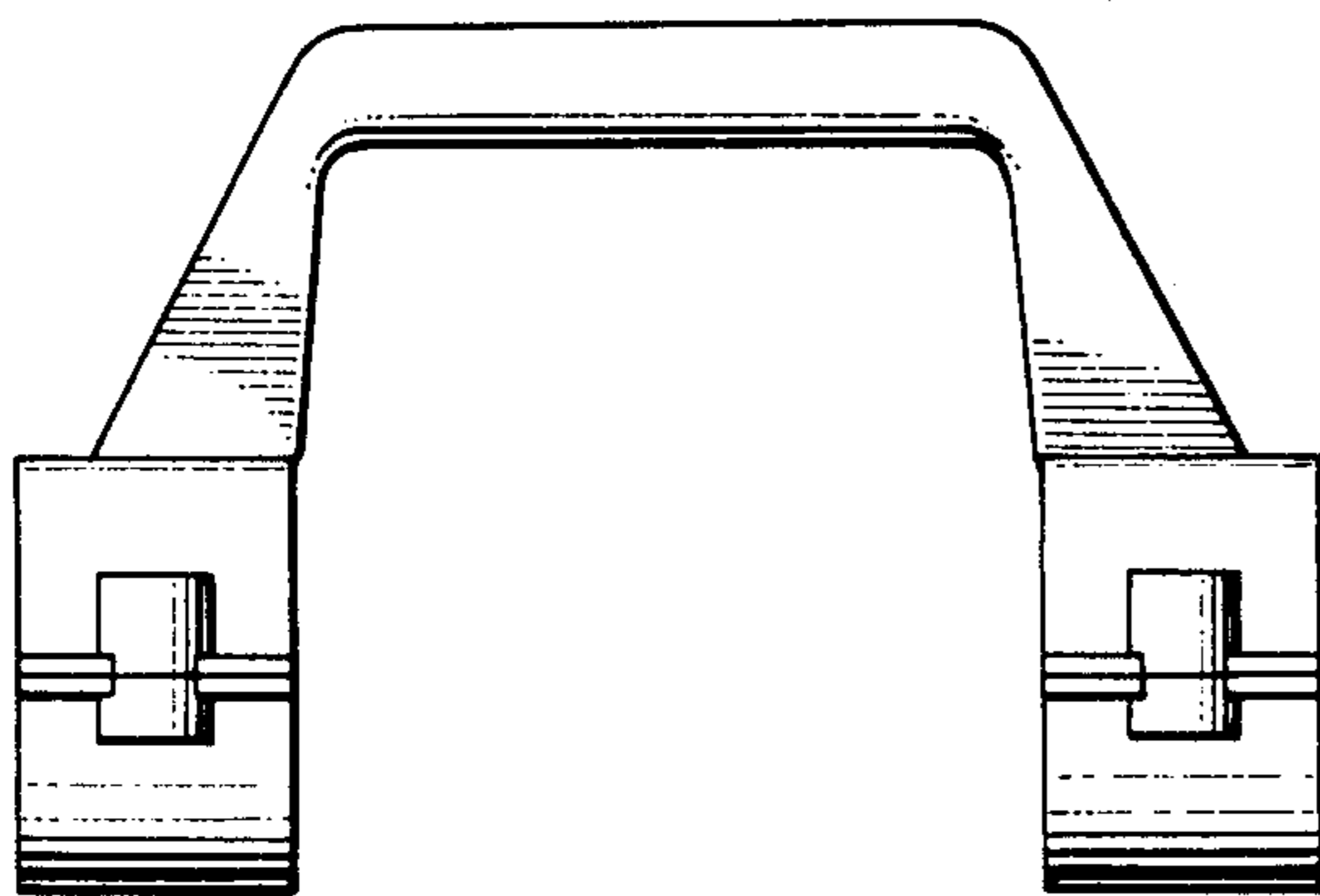


FIG. 4.

