

[54] **KITCHEN SCISSORS**
 [75] Inventor: **Toru Hayashi**, Seki, Japan
 [73] Assignee: **Hayashi Cutlery Co., Ltd.**, Osaka, Japan
 [**] Term: **14 Years**
 [21] Appl. No.: **758,755**
 [22] Filed: **Jan. 12, 1977**
 [30] **Foreign Application Priority Data**
 Jun. 17, 1976 [JP] Japan 51-023179
 [51] Int. Cl. **D8-03**
 [52] U.S. Cl. **D8/57**
 [58] Field of Search D8/57, 5, 3, 4, 52, D8/53, 55, 56, 58; 30/253, 254, 255, 256, 257, 259, 260, 341

[56] **References Cited**
U.S. PATENT DOCUMENTS
 D. 86,718 4/1932 Higginbotham D8/55 X
 D. 104,727 6/1937 Rauh D8/57
 D. 161,004 11/1950 Cook D8/57
 D. 174,555 4/1955 Hunt D8/55
 D. 176,994 2/1956 Salm D8/52
 D. 227,338 6/1973 Backstrom D8/57

D. 238,245 12/1975 Backstrom D8/57
 D. 243,651 3/1977 Hayashi D8/57
 D. 246,223 11/1977 Hayashi D8/57
 1,317,041 9/1919 Scott D8/57 X
 2,131,395 9/1938 Voss 7/6 X

FOREIGN PATENT DOCUMENTS

2249577 4/1974 Fed. Rep. of Germany 30/340

OTHER PUBLICATIONS

Sew Business, Apr. 1975, p. 25, "Serra-Lite" by Marks Specialities, Inc., scissors shown.

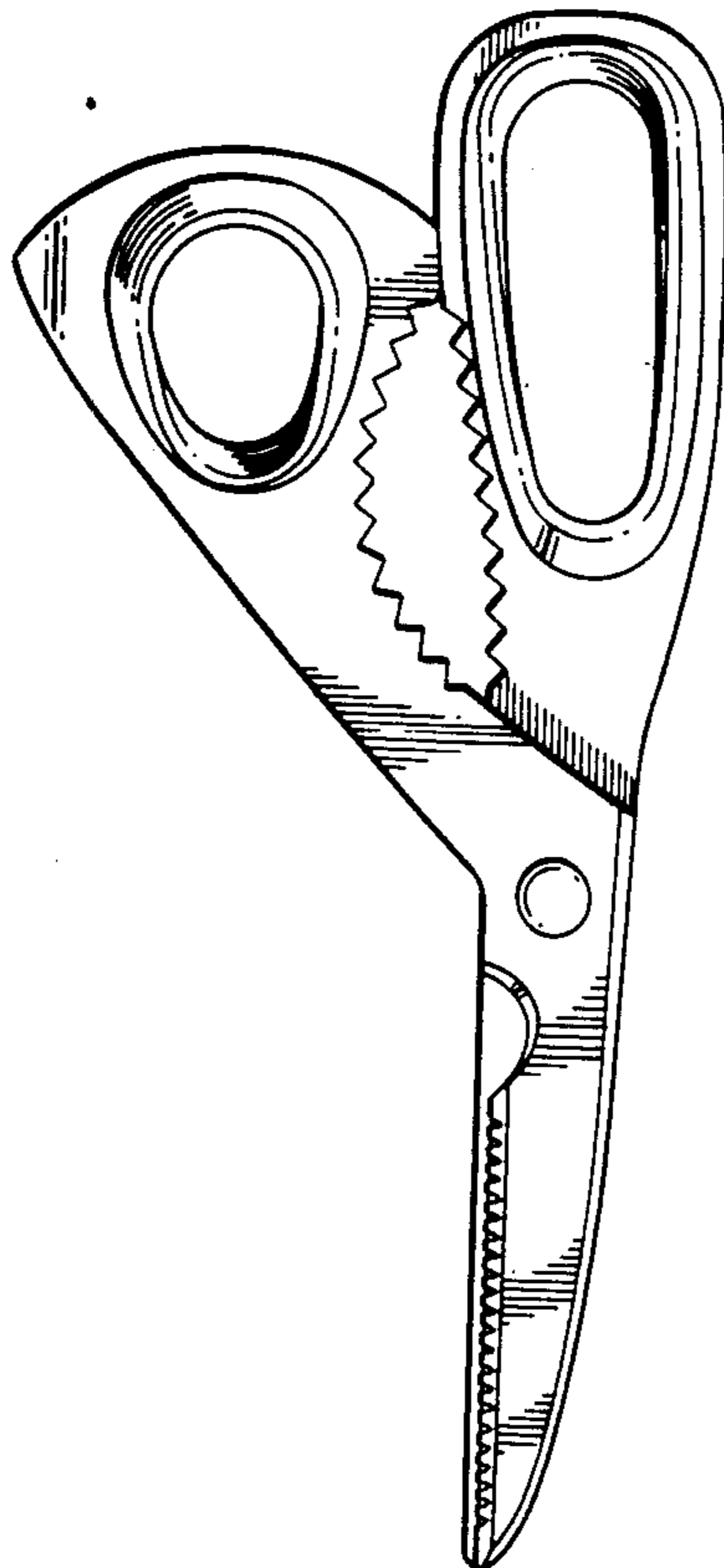
Primary Examiner—Winifred E. Herrmann
Attorney, Agent, or Firm—Martin Majestic

[57] **CLAIM**

The ornamental design for kitchen scissors, substantially as shown.

DESCRIPTION

FIG. 1 is a front elevational view of kitchen scissors showing my new design;
 FIG. 2 is a side elevational view thereof;
 FIG. 3 is a side elevational view of the other side thereof;
 FIG. 4 is a rear elevational view;
 FIG. 5 is a top plan view; and,
 FIG. 6 is a bottom plan view.



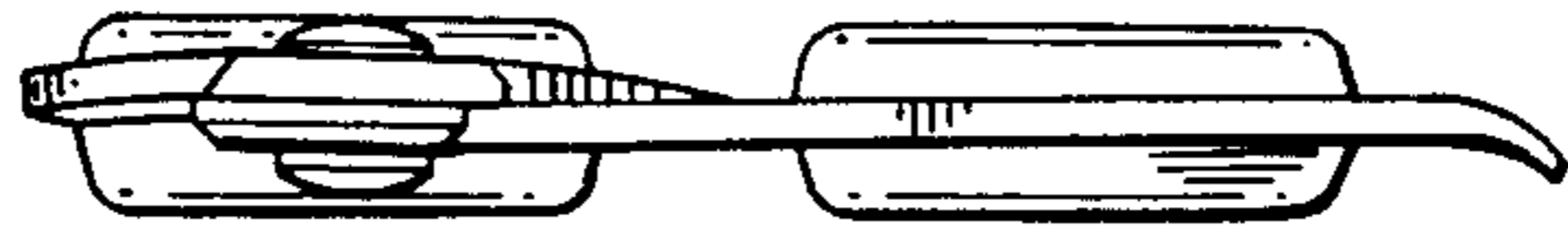


FIG. 5.

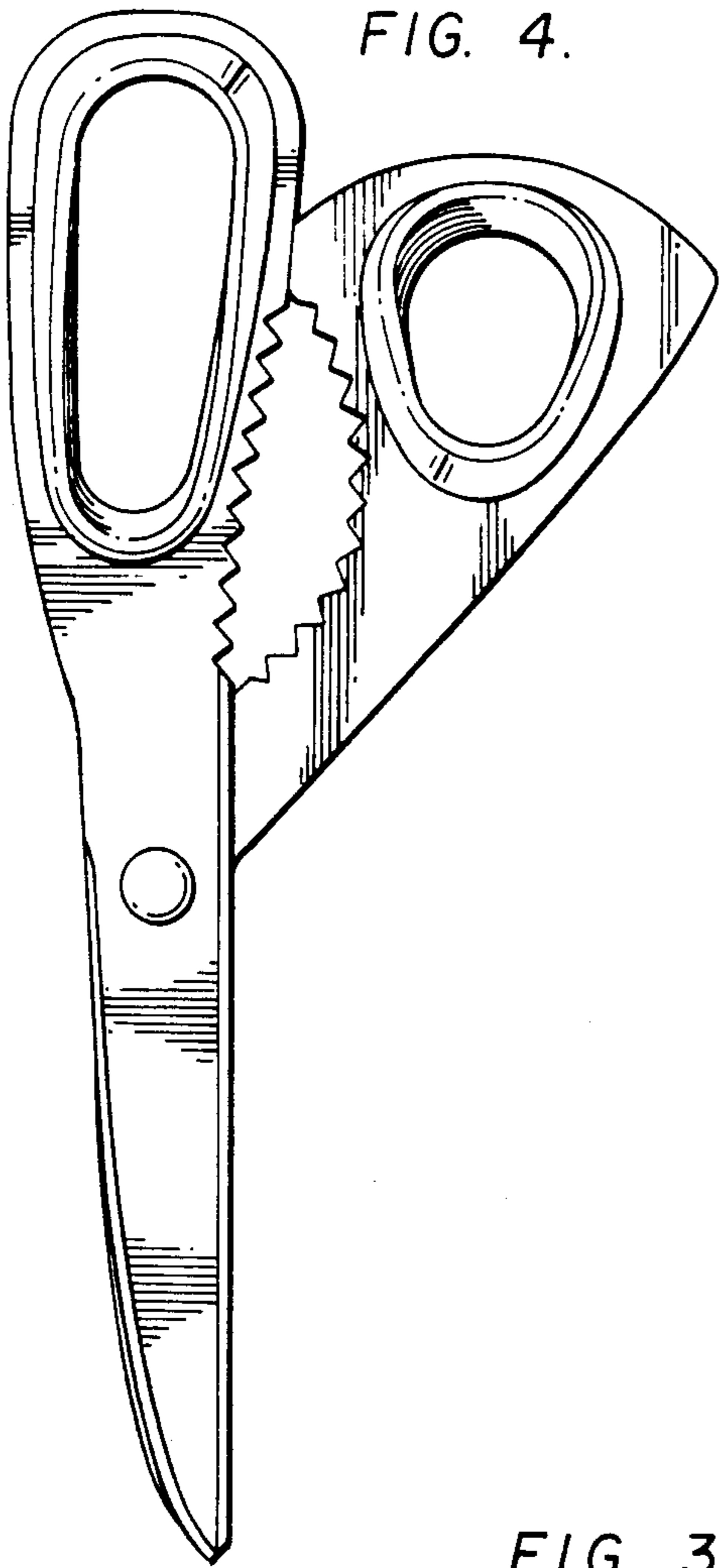


FIG. 4.



FIG. 3.

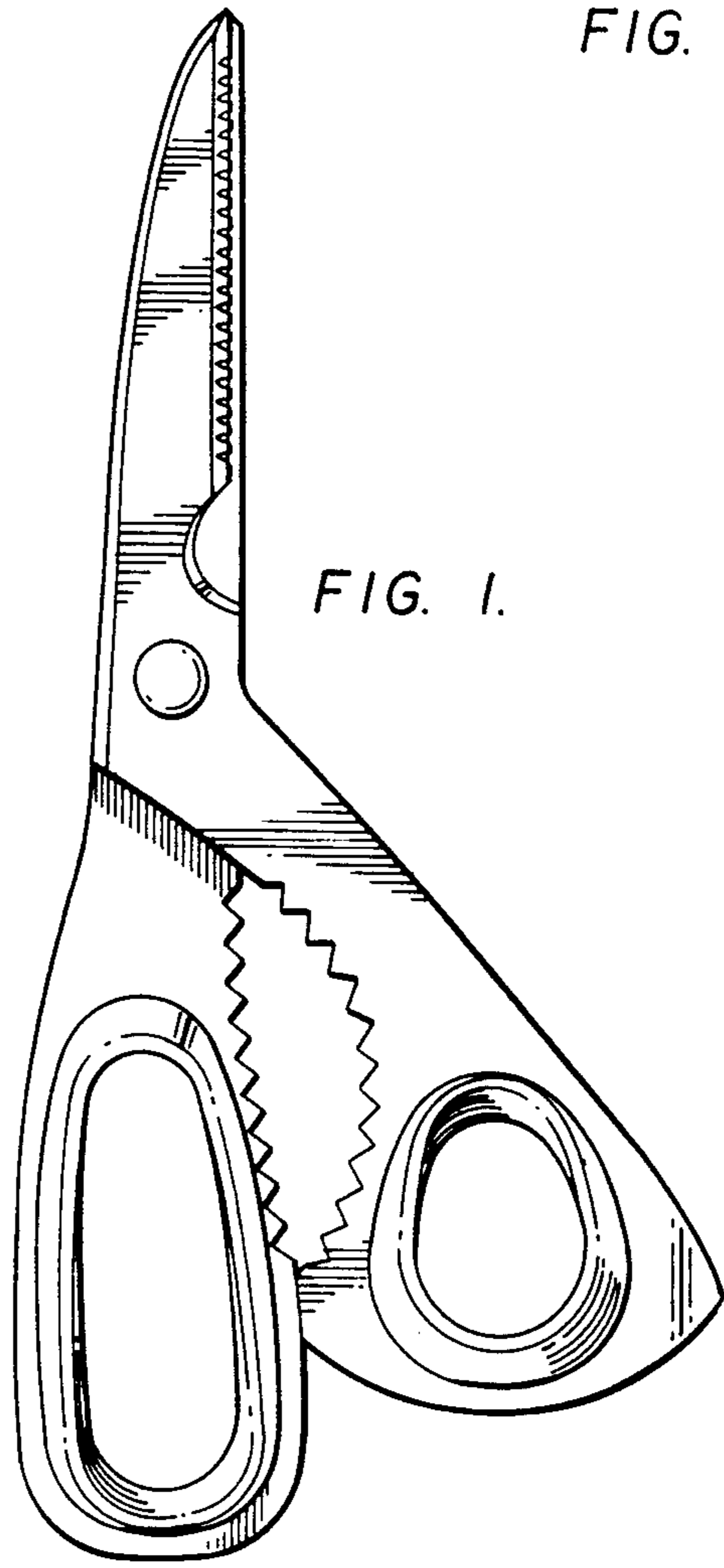


FIG. 1.

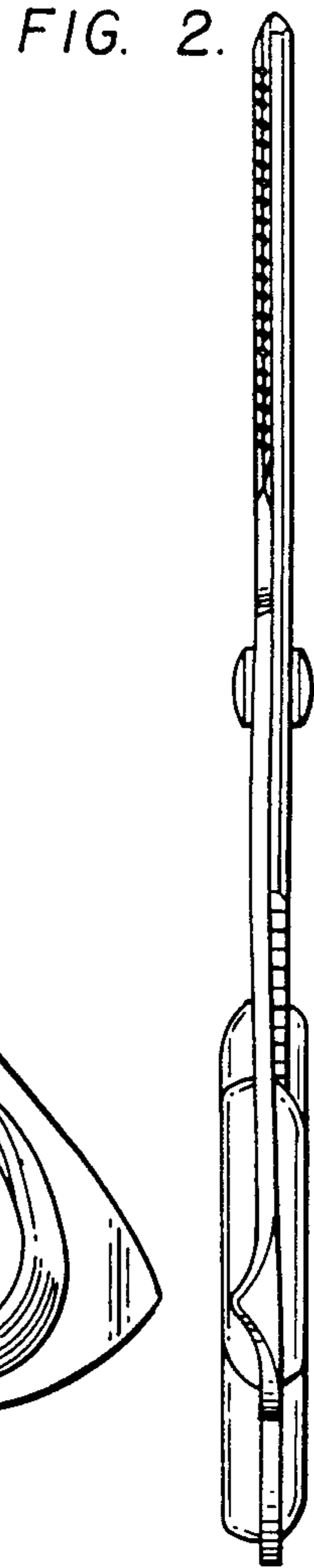


FIG. 2.

FIG. 6.

