

[54] DETACHABLE HANDLE FOR A BEVERAGE CAN

[76] Inventors: Thomas D. Logan, 3740 Dover Pl., Los Angeles, Calif. 90039; Edwin S. Nelson, 140 S. Buena Vista St. Apt. V, Burbank, Calif. 91505

[**] Term: 14 Years

[21] Appl. No.: 782,721

[22] Filed: Mar. 30, 1977

[51] Int. Cl. D7-99

[52] U.S. Cl. D7/70

[58] Field of Search D7/70, 71, 9, 132, 39

[56] References Cited

U.S. PATENT DOCUMENTS

D. 204,295 4/1966 Brekke D7/70

D. 232,614	9/1974	Brown	D7/70
2,424,094	7/1947	Herr	D7/70 X
2,742,315	4/1956	Dreier	D7/70 X
3,189,937	6/1965	Sciortino	D7/70 X
3,261,635	7/1966	Talay	D7/70 X

Primary Examiner—Winifred E. Herrmann
Attorney, Agent, or Firm—Roger A. Marrs

[57] CLAIM

The ornamental design for a detachable handle for a beverage can, substantially as shown.

DESCRIPTION

FIG. 1 is a side elevational view of a detachable handle for a beverage can showing our new design. FIG. 2 is a front view thereof; FIG. 3 is a rear view thereof; FIG. 4 is a top view thereof; FIG. 5 is a bottom view thereof; and FIG. 6 is a front perspective view thereof.

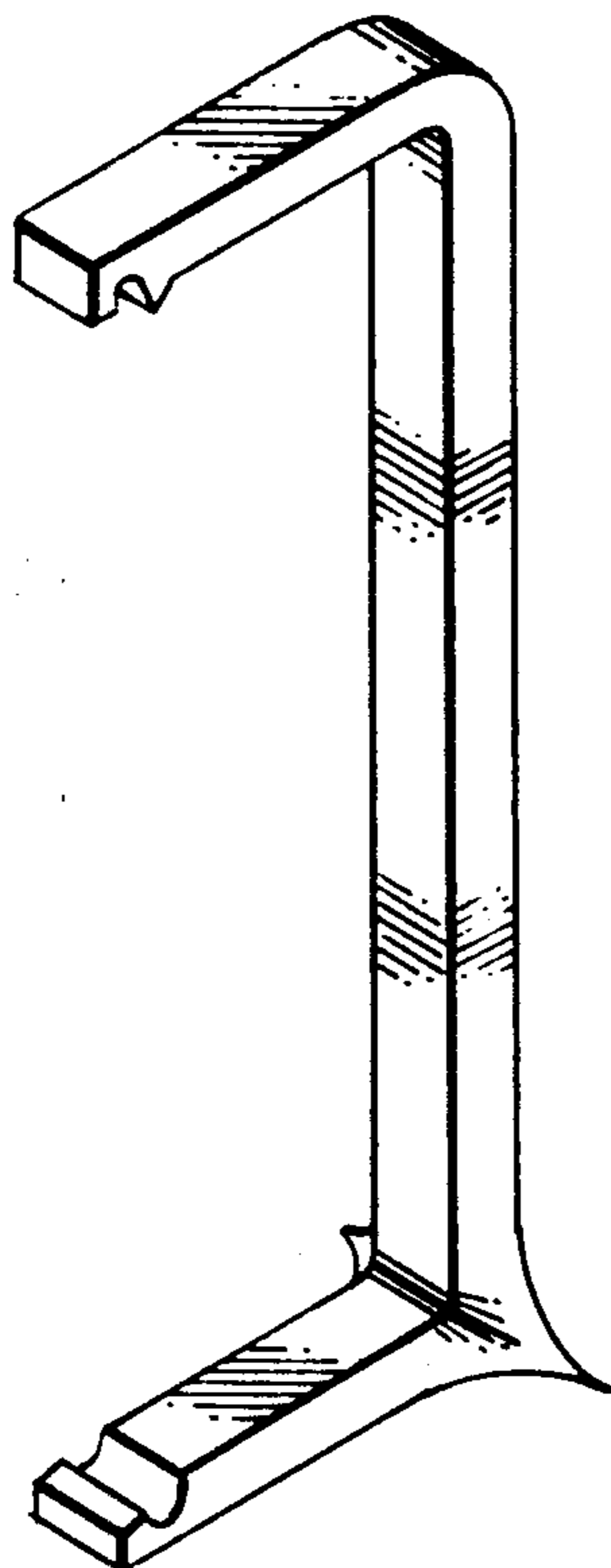


Fig. 1

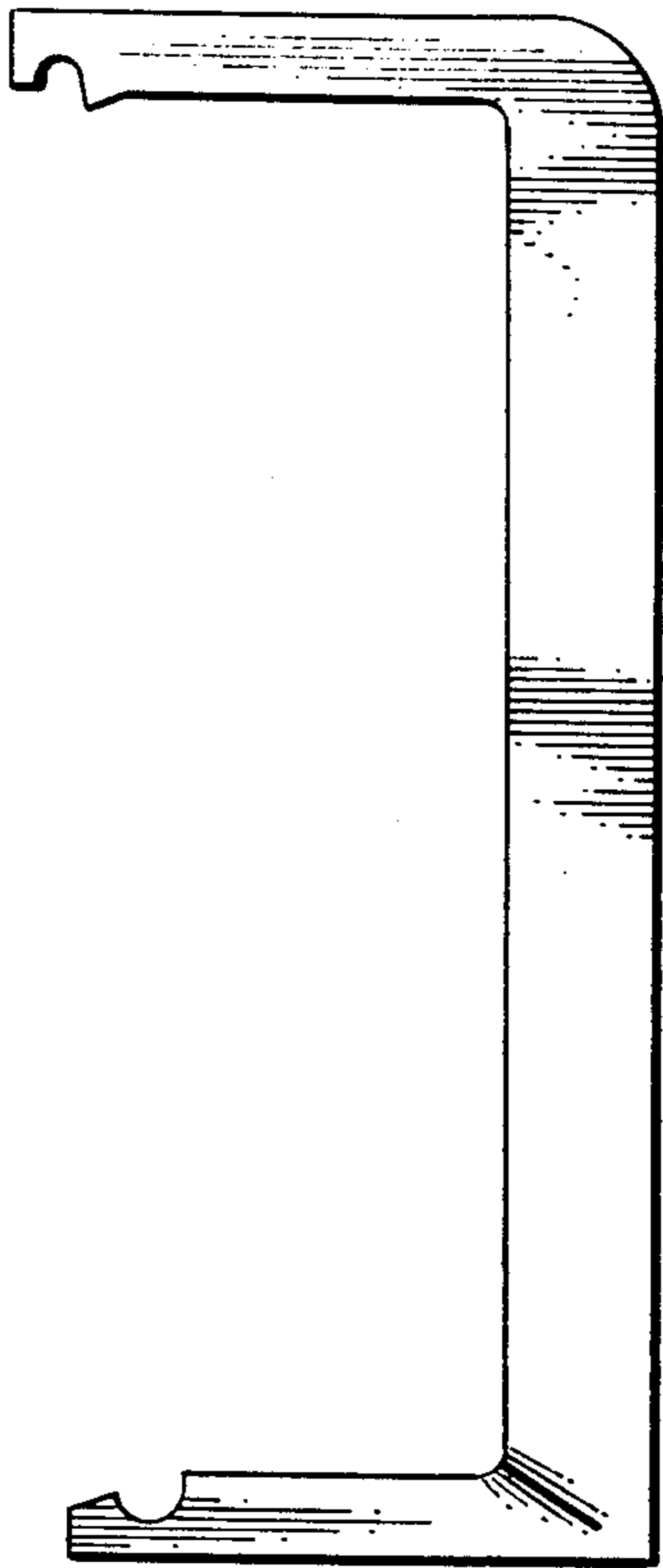


Fig. 2

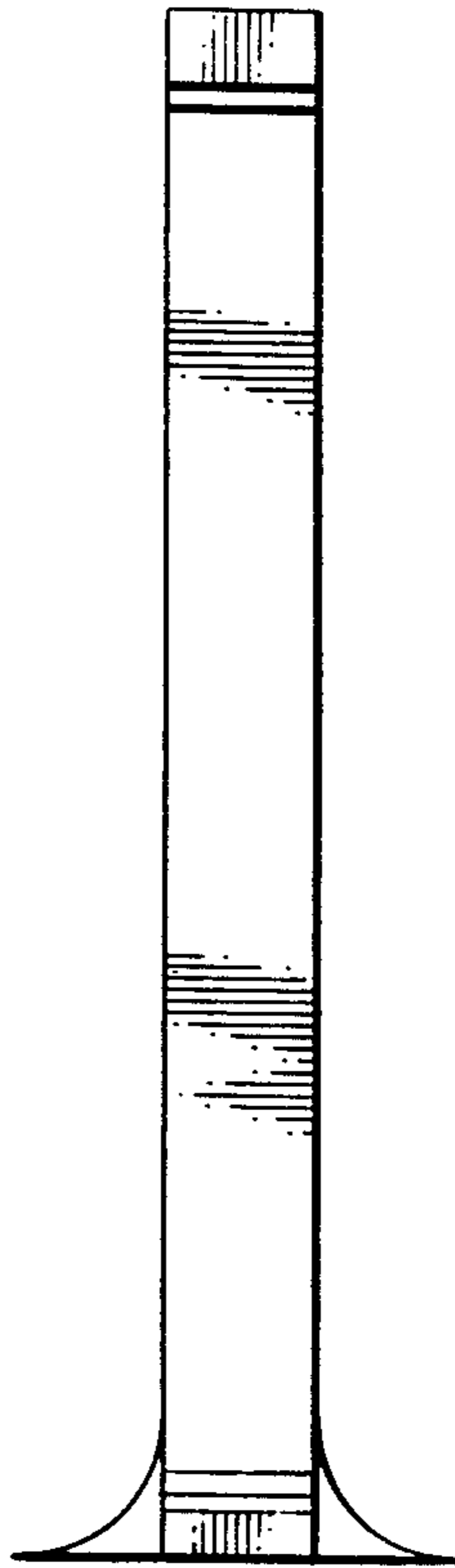


Fig. 3

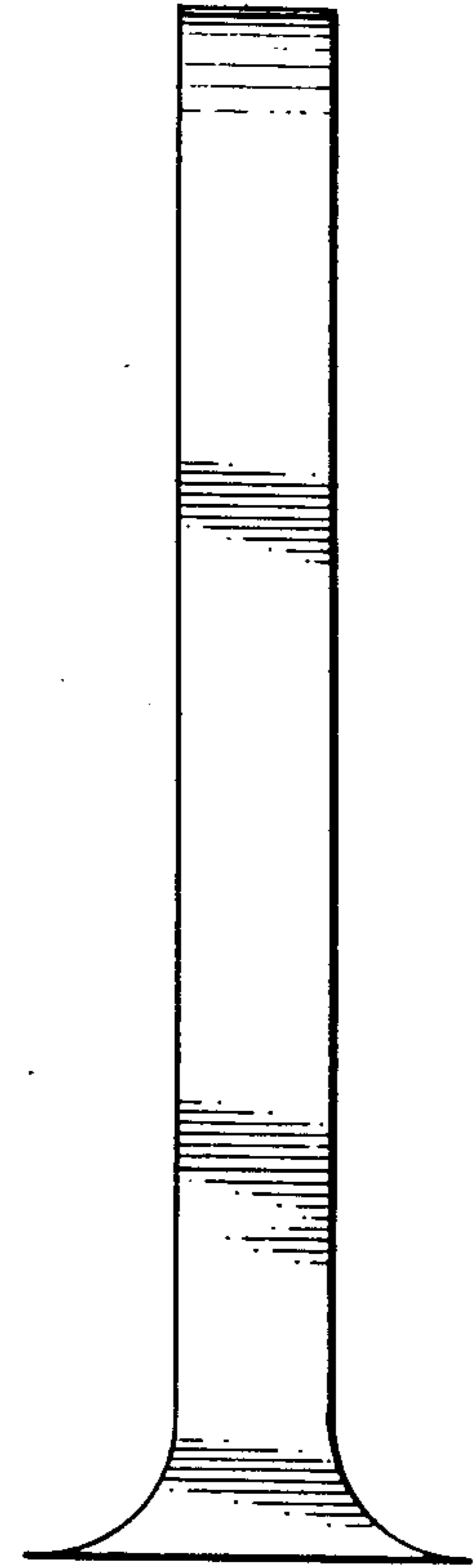


Fig. 4

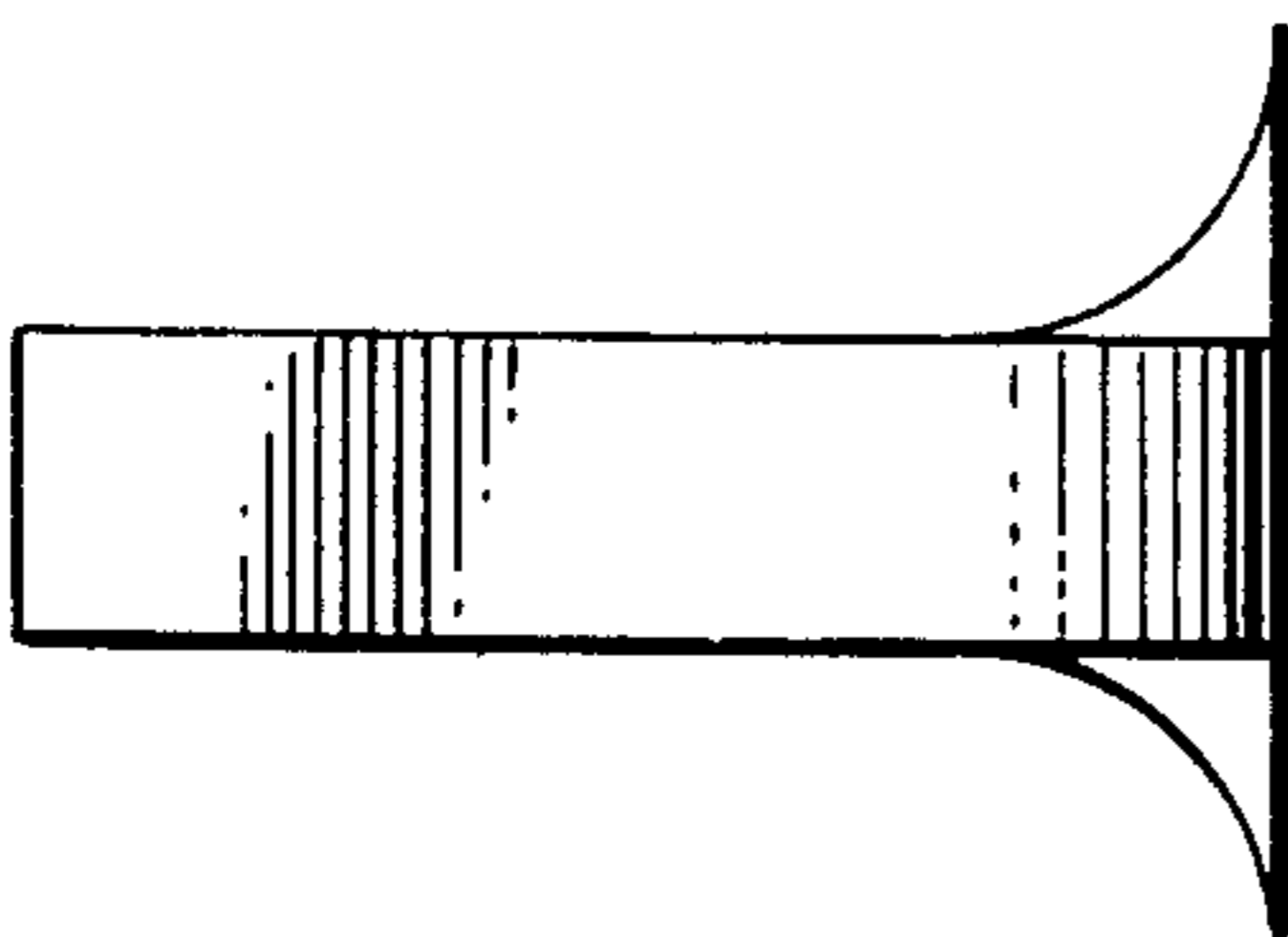


Fig. 5

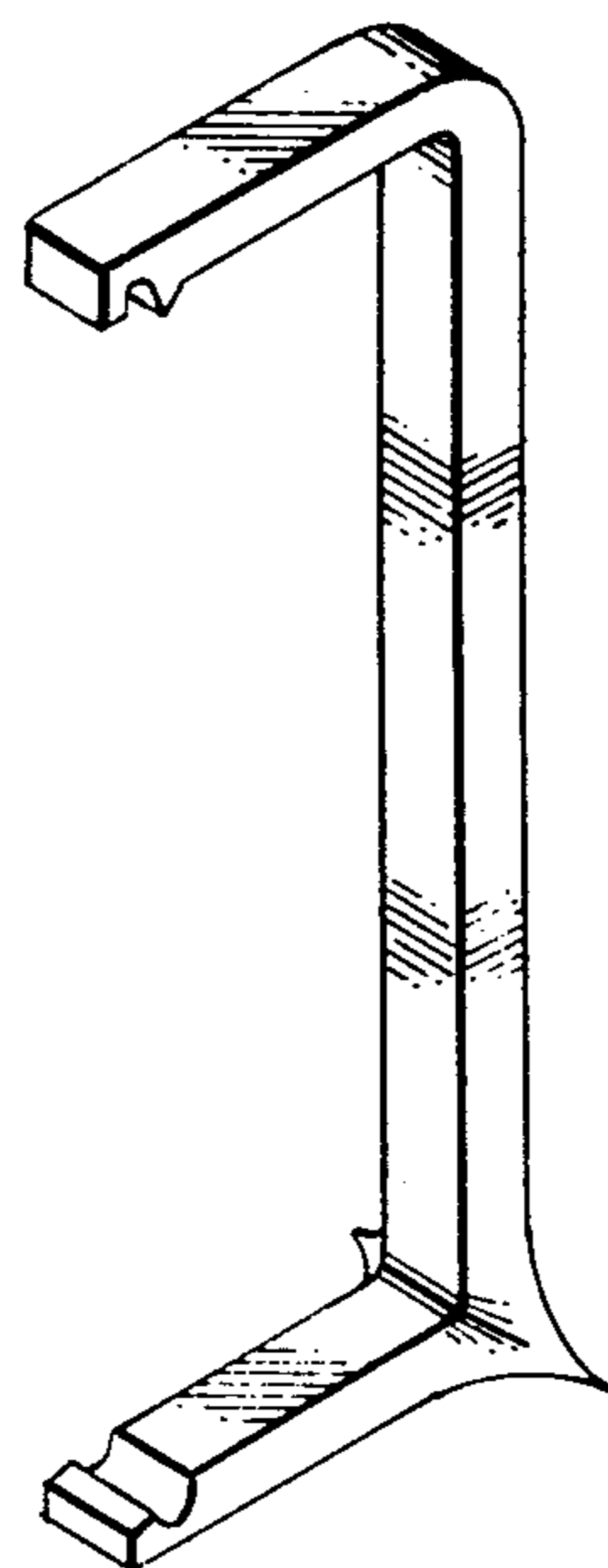
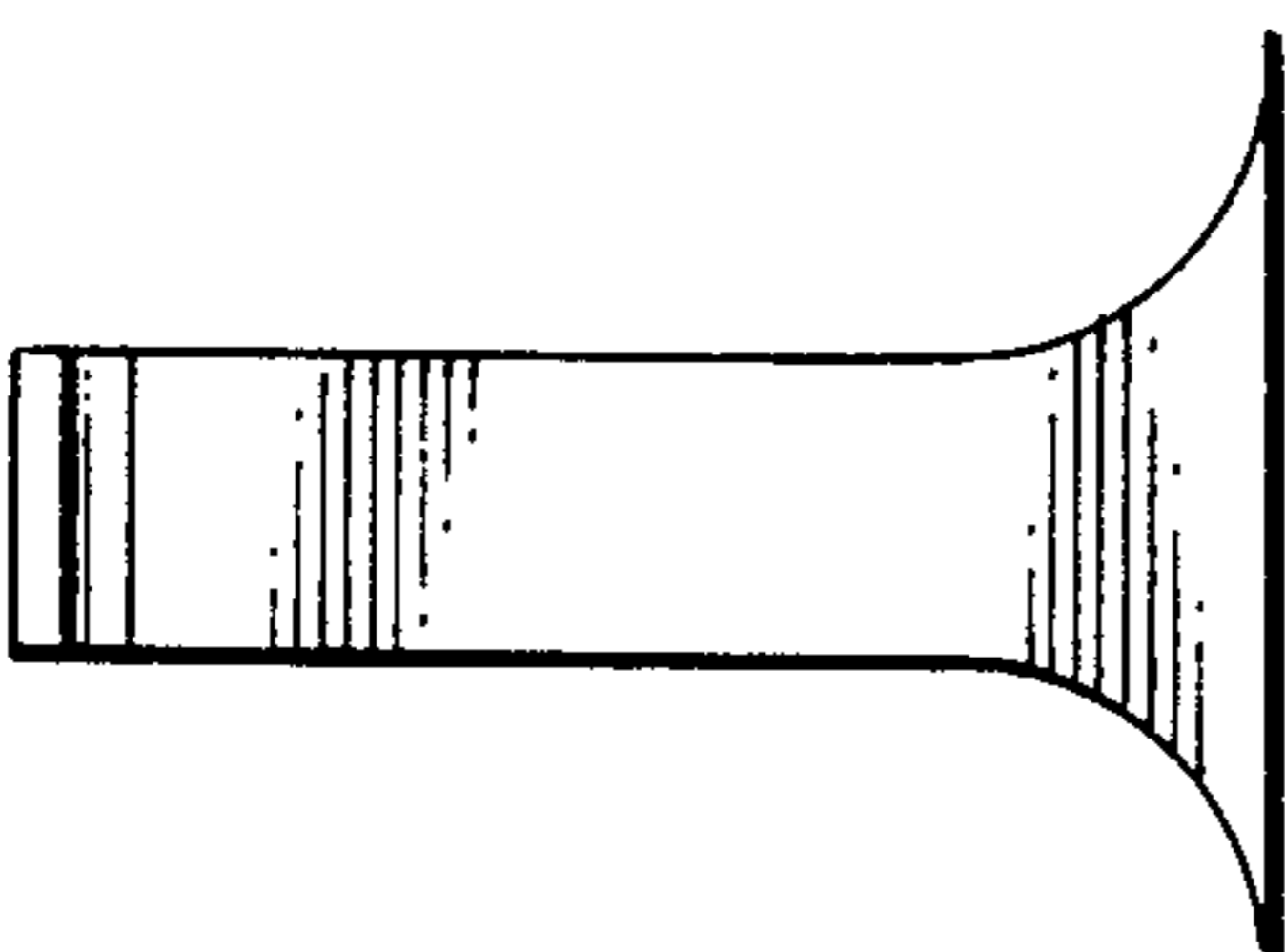


Fig. 6