

[54] TEA KETTLE OR SIMILAR ARTICLE

[75] Inventor: Martin Umanoff, Great Neck, N.Y.

[73] Assignee: M. Kamenstein, Inc., White Plains, N.Y.

[**] Term: 14 Years

[21] Appl. No.: 919,525

[22] Filed: Jun. 23, 1978

[51] Int. Cl. D7-01

[52] U.S. Cl. D7/66

[58] Field of Search D7/51-62, D7/63-67

[56] References Cited

U.S. PATENT DOCUMENTS

D. 18,835	1/1889	Mersereau	D7/66 X
D. 61,948	2/1923	Carder	D7/66
D. 91,350	1/1934	Christman	D7/60
D. 99,425	4/1936	Zettler	D7/60

OTHER PUBLICATIONS

Jewelers' Circular-Keystone, Nov. 1960, p. 29, 3rd. panel left side of page, Coffee Pot-Swedish Metalcraft, Inc.

Primary Examiner—Winifred E. Herrmann
Attorney, Agent, or Firm—Allison C. Collard

[57] CLAIM

The ornamental design for a tea kettle or similar article, substantially as shown.

DESCRIPTION

FIG. 1 is a front and top isometric view of a tea kettle or similar article showing my new design, with the cover removed and placed on the side thereof;

FIG. 2 is a top and right-side isometric view thereof with the cover in place;

FIG. 3 is a left-side elevational view of FIG. 1;

FIG. 4 is a right-side elevational view of FIG. 2, with the handle in a vertical position;

FIG. 5 is a front elevational view of FIG. 2, with the handle in a vertical position;

FIG. 6 is a top plan view of FIG. 2;

FIG. 7 is a bottom view of FIG. 2, with the handle in a vertical position; and

FIG. 8 is a rear elevational view of FIG. 2, with the handle in a vertical position.

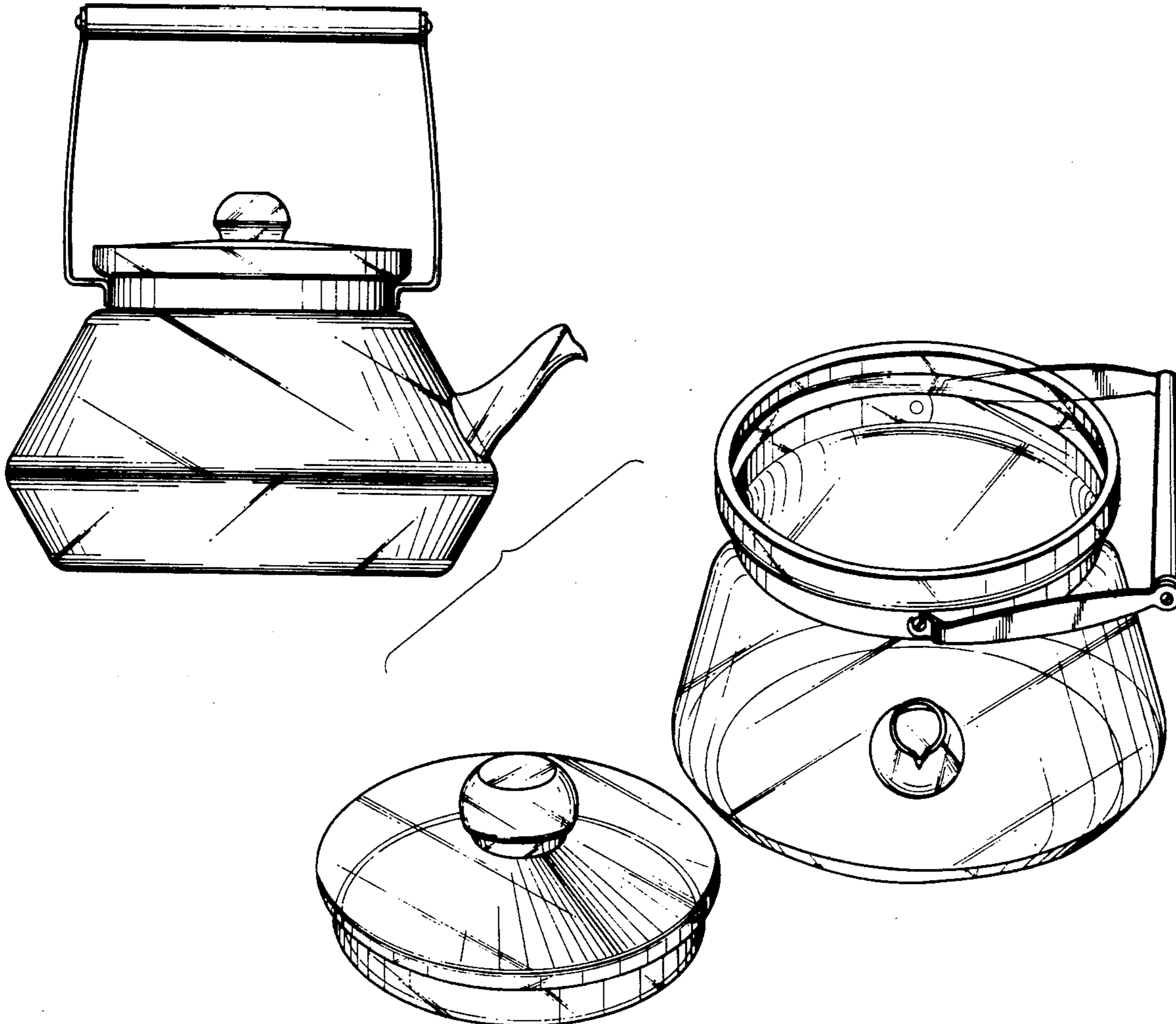


Fig.1

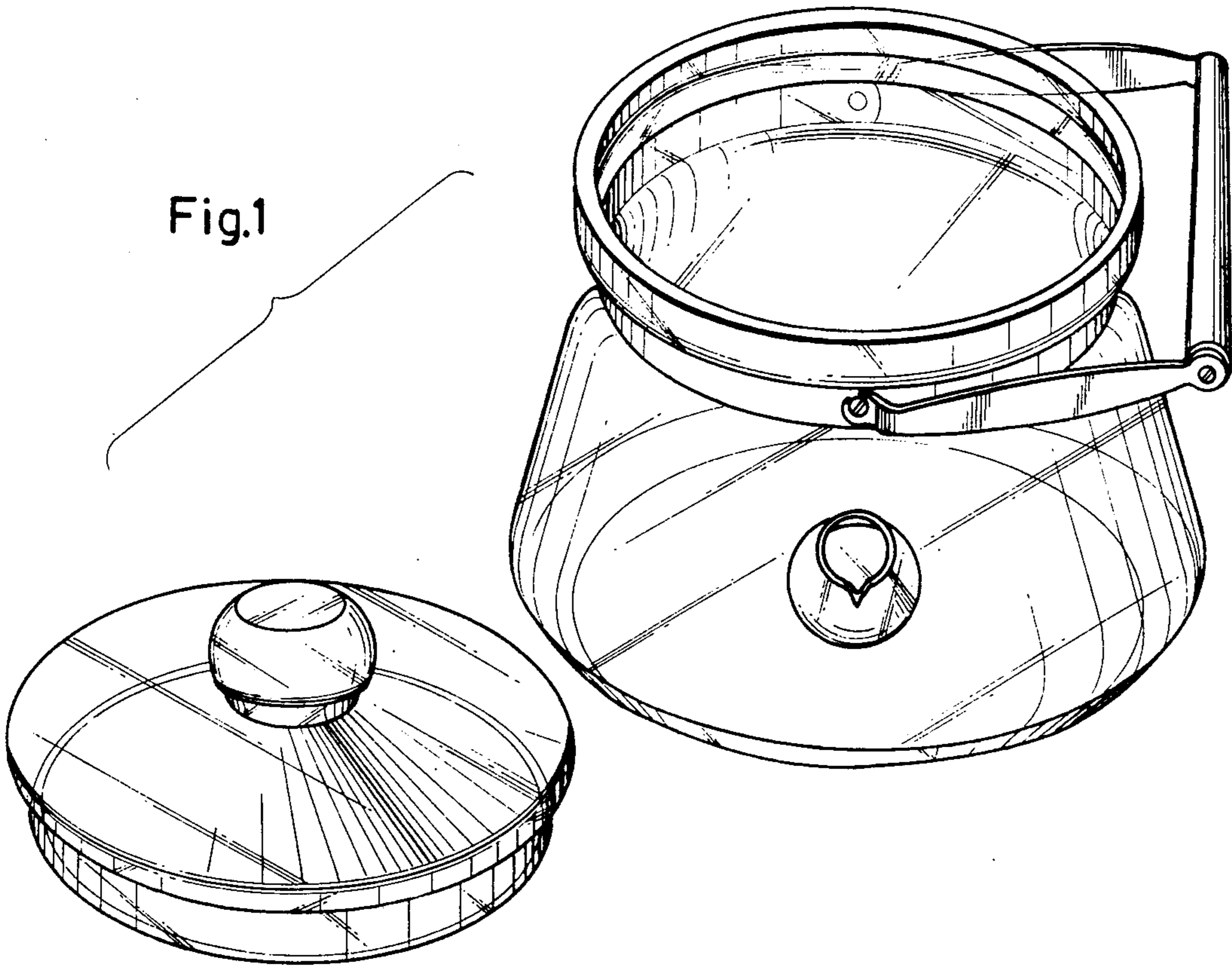
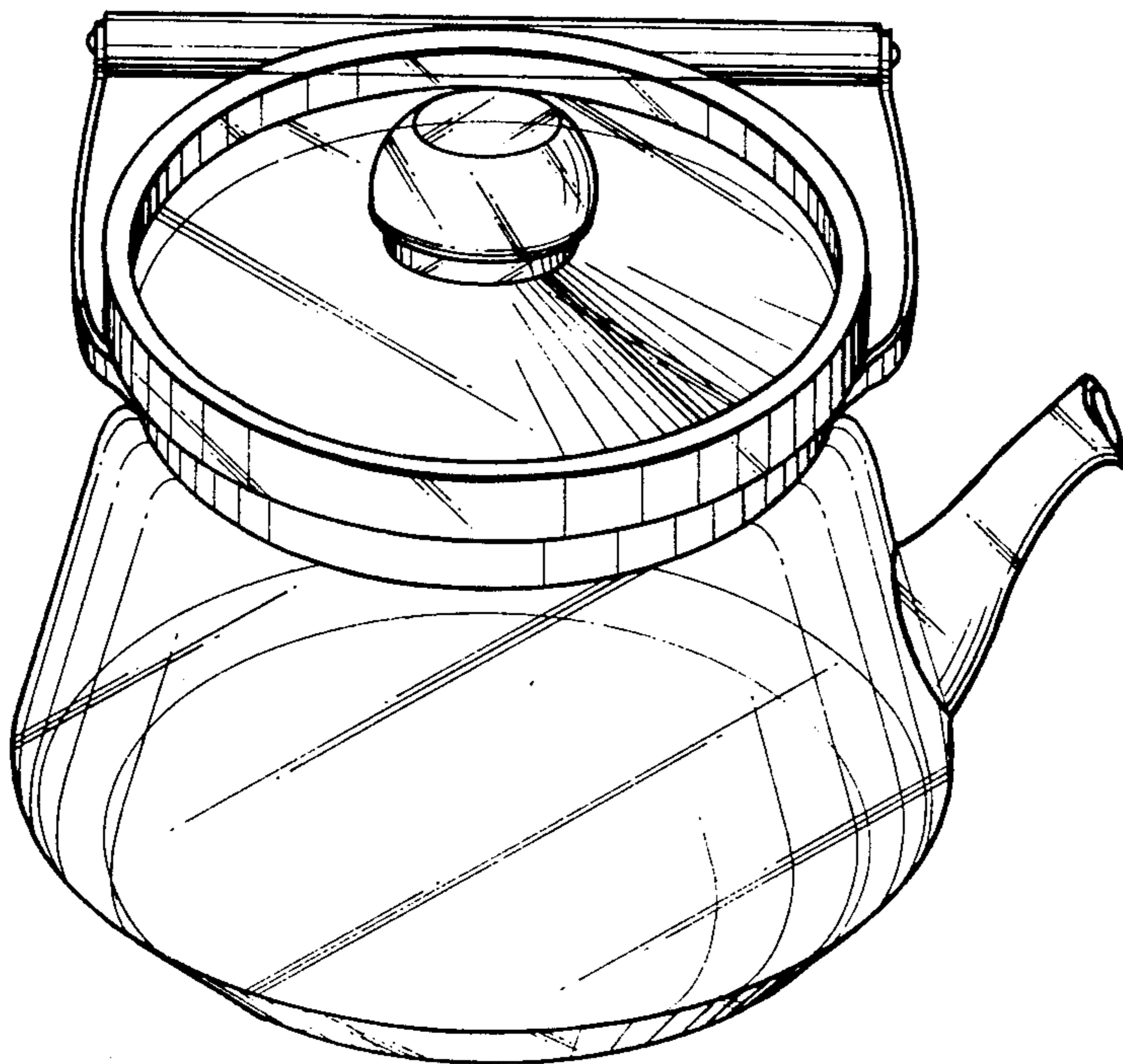


Fig.2



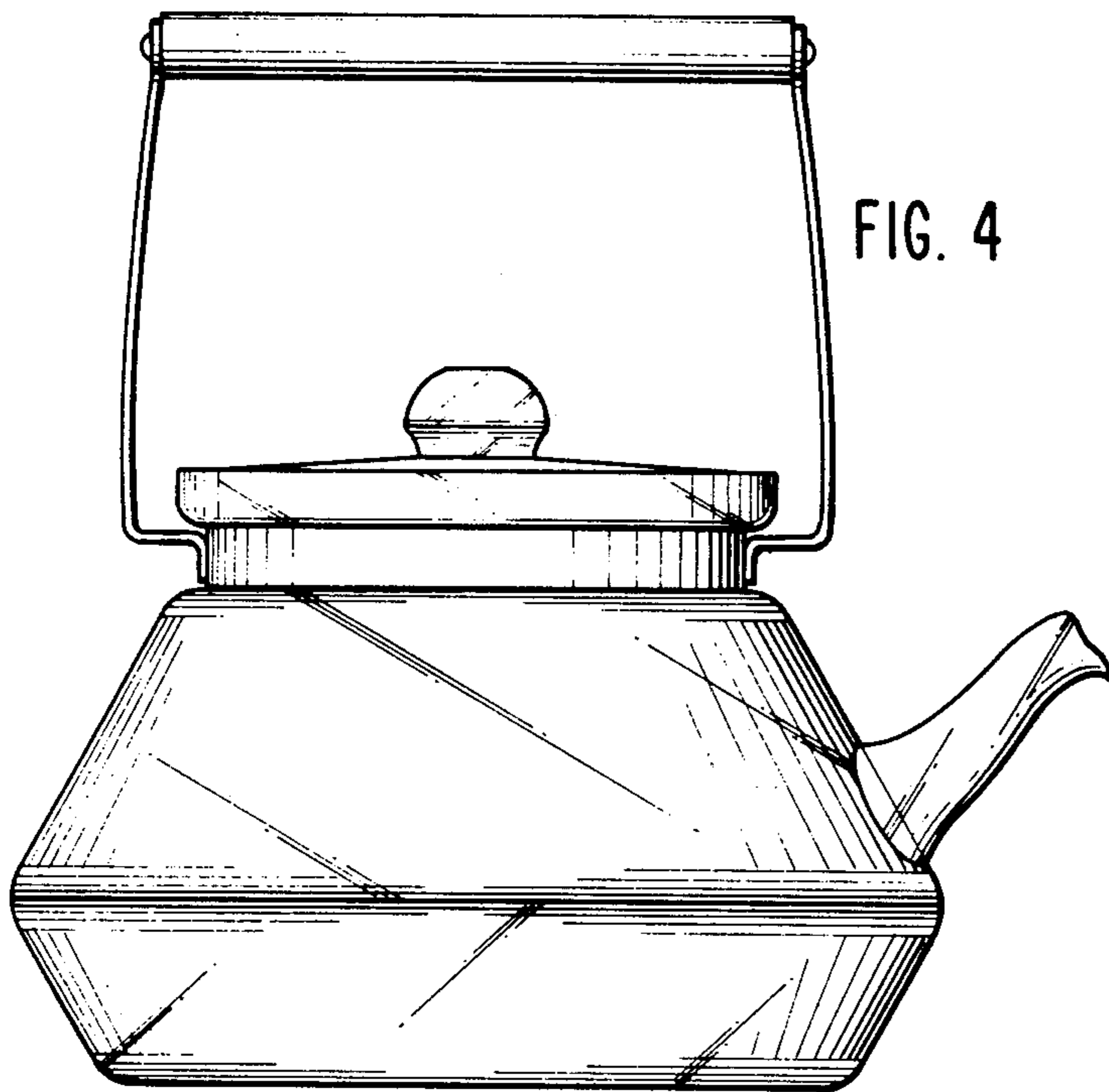
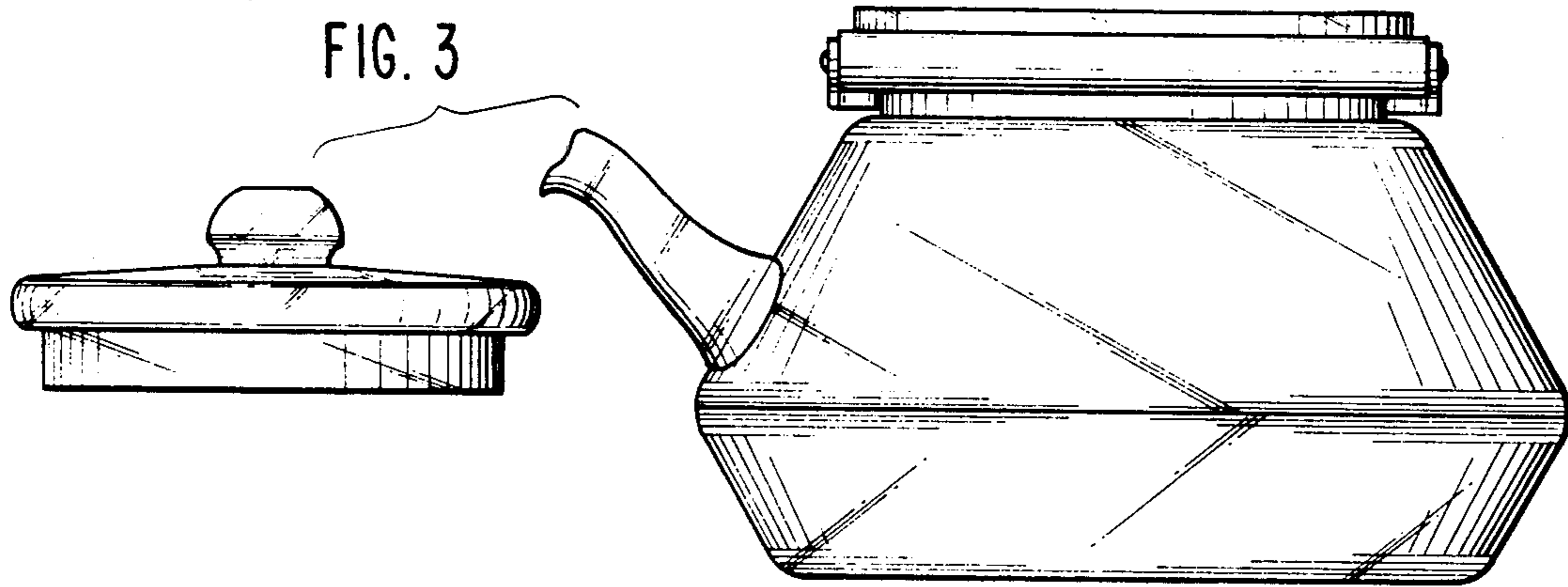
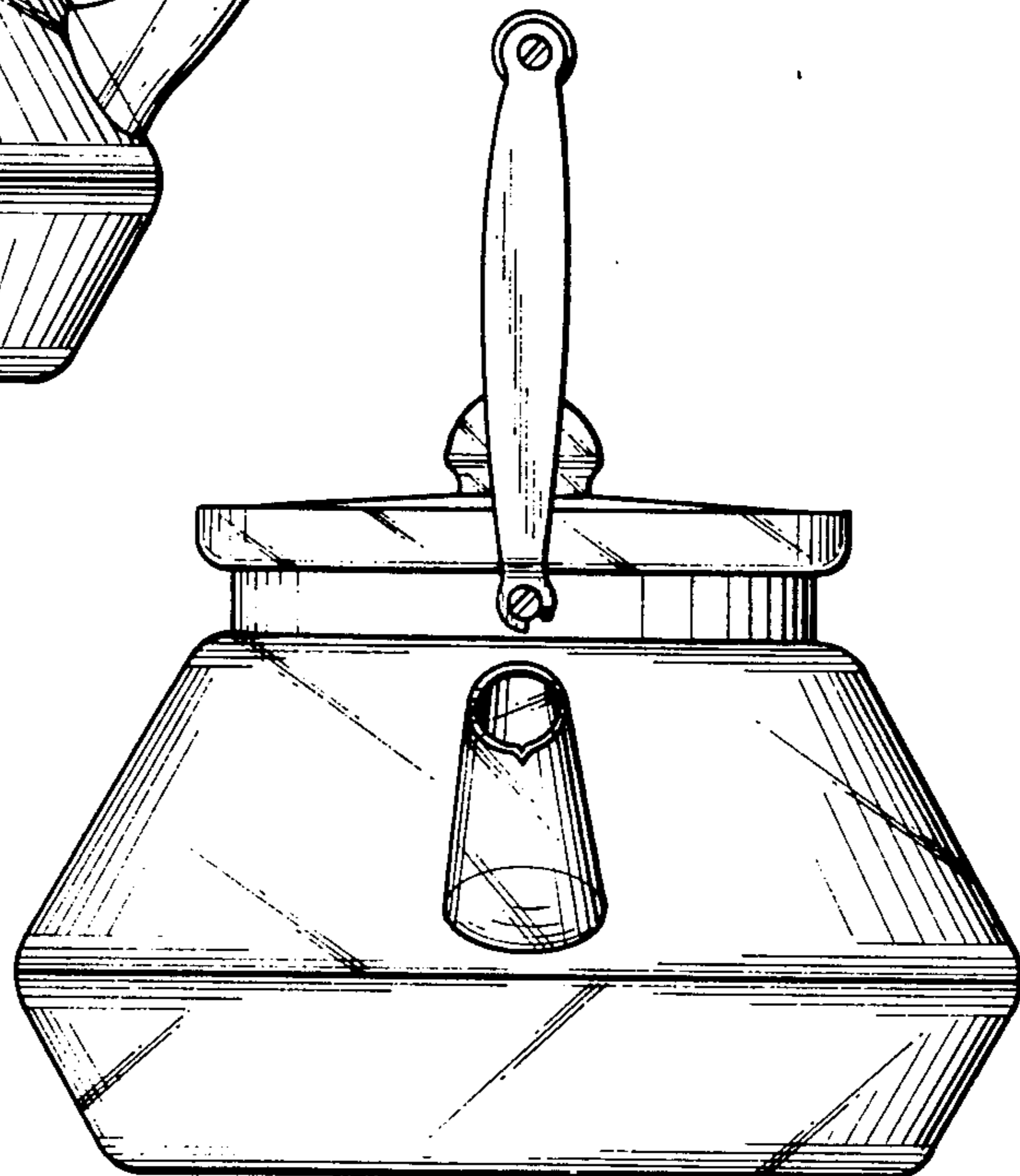


FIG. 5



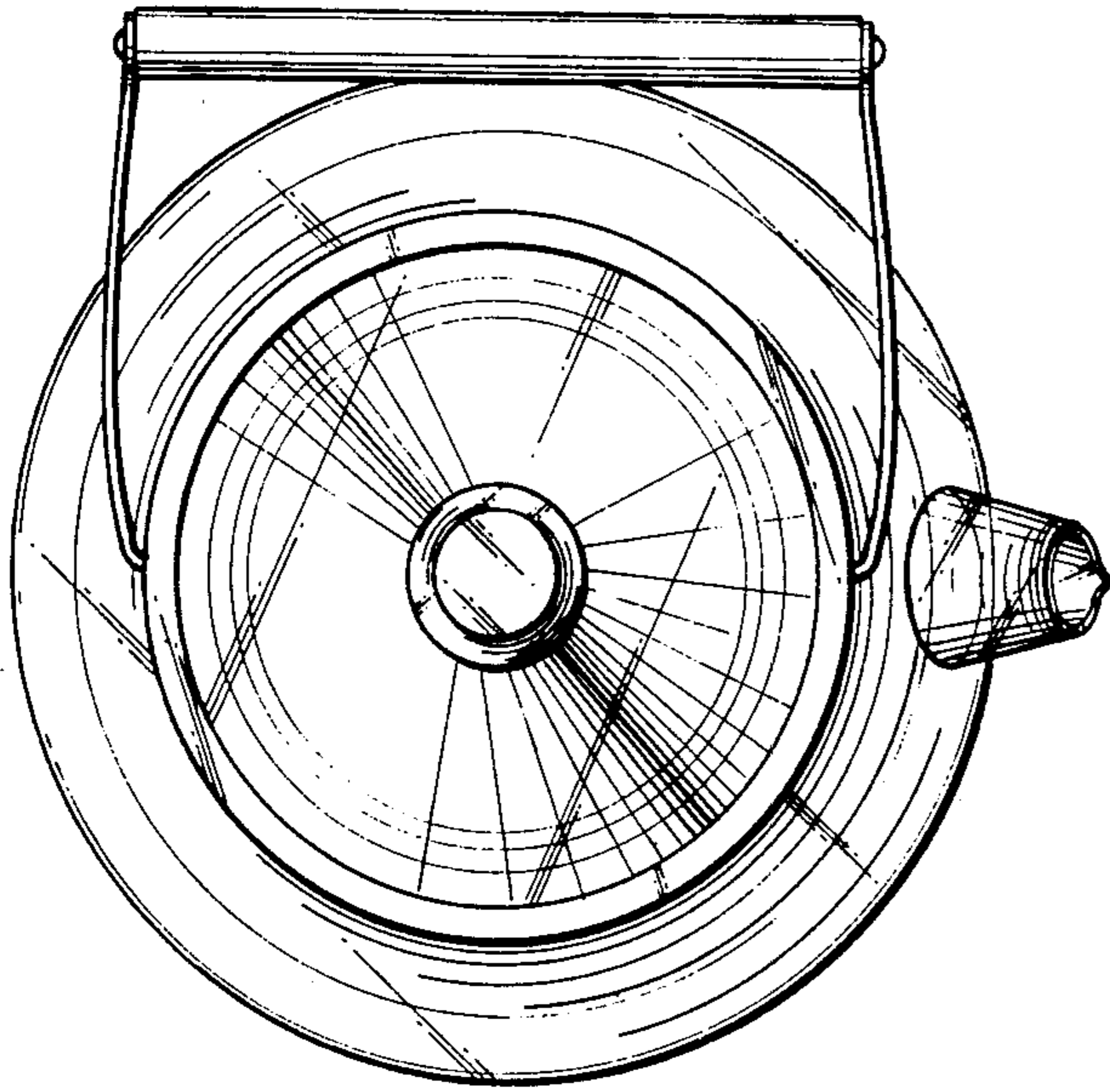


Fig.6

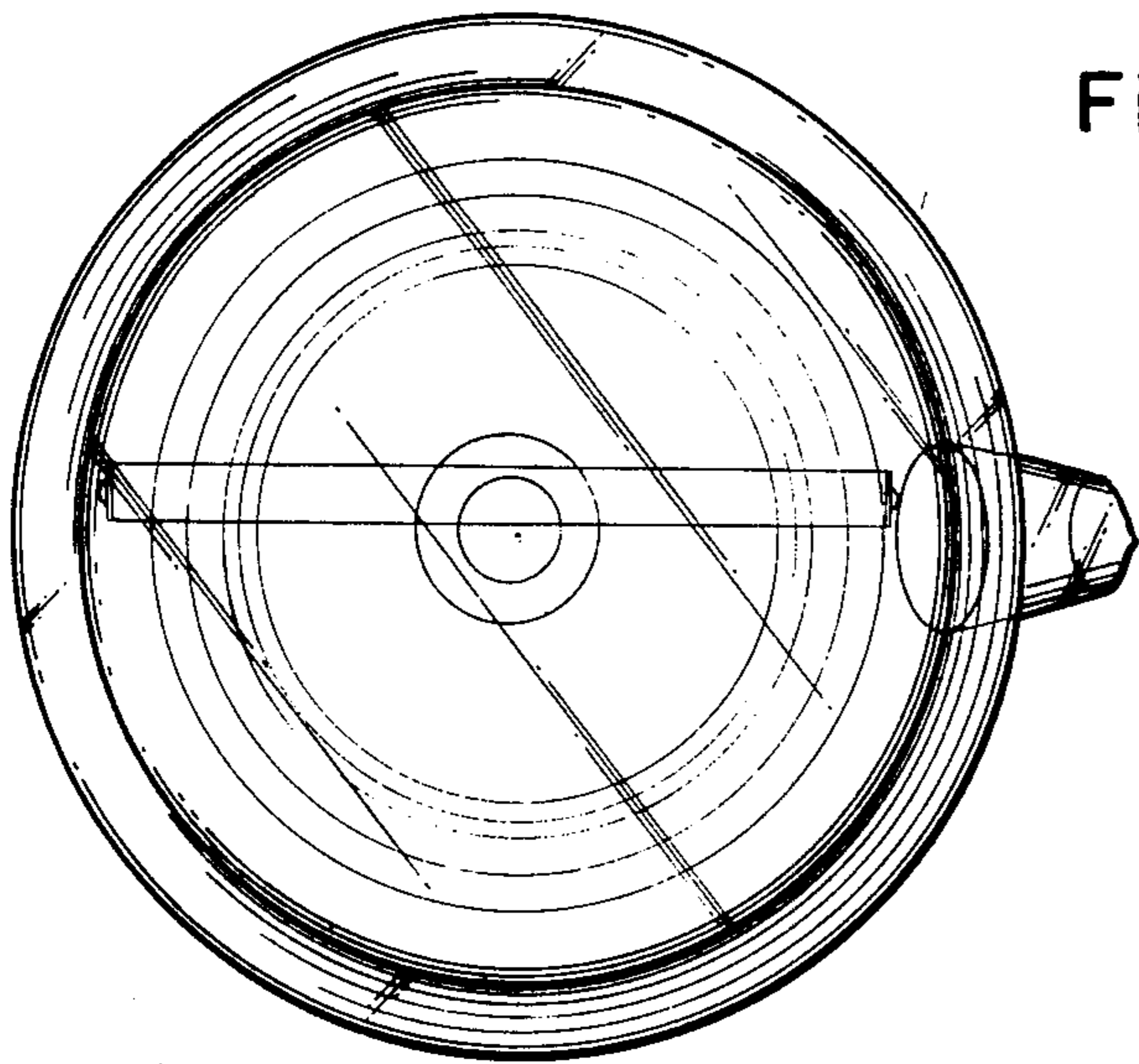


Fig.7

Fig.8

