

[54] TEA KETTLE OR SIMILAR ARTICLE

[75] Inventor: Martin Umanoff, Great Neck, N.Y.

[73] Assignee: M. Kamenstein, Inc., White Plains, N.Y.

[\*\*] Term: 14 Years

[21] Appl. No.: 918,621

[22] Filed: Jun. 23, 1978

[51] Int. Cl. .... D7-01

[52] U.S. Cl. .... D7/66; D7/60

[58] Field of Search ..... D7/51-62,  
D7/63-67

[56] References Cited

U.S. PATENT DOCUMENTS

D. 109,642 5/1938 Morgan ..... D7/60

OTHER PUBLICATIONS

*Gifts & Decorative Accessories*, Mar., 1977, p. 123, Tea Kettles by Herman Dodge & Son, Inc. top left kettle.  
*Ladies' Home Journal*, Oct., 1956, p. 146, Pyrex Coffee Pot by Corning, top left item.

Primary Examiner—Winifred E. Herrmann  
Attorney, Agent, or Firm—Allison C. Collard

[57] CLAIM

The ornamental design for a tea kettle or similar article, substantially as shown.

DESCRIPTION

FIG. 1 is a front, top and left-side isometric view of the tea kettle or similar article showing my new design, with its cover removed and placed on a side thereof; FIG. 2 is a front, top and right-side isometric view thereof, with its cover in place and its handle in a horizontal position; FIG. 3 is a front elevational view of FIG. 2, with its handle in a vertical position thereof; FIG. 4 is a rear elevational view of FIG. 2 with its handle in a vertical position; FIG. 5 is a top plan view of FIG. 2, with its handle in a vertical position; FIG. 6 is a bottom view of FIG. 2, with its handle in a vertical position; FIG. 7 is a right-side elevational view of FIG. 2, with its handle in a vertical position; FIG. 8 is a left-side elevational view of FIG. 2, with its handle in a vertical position.

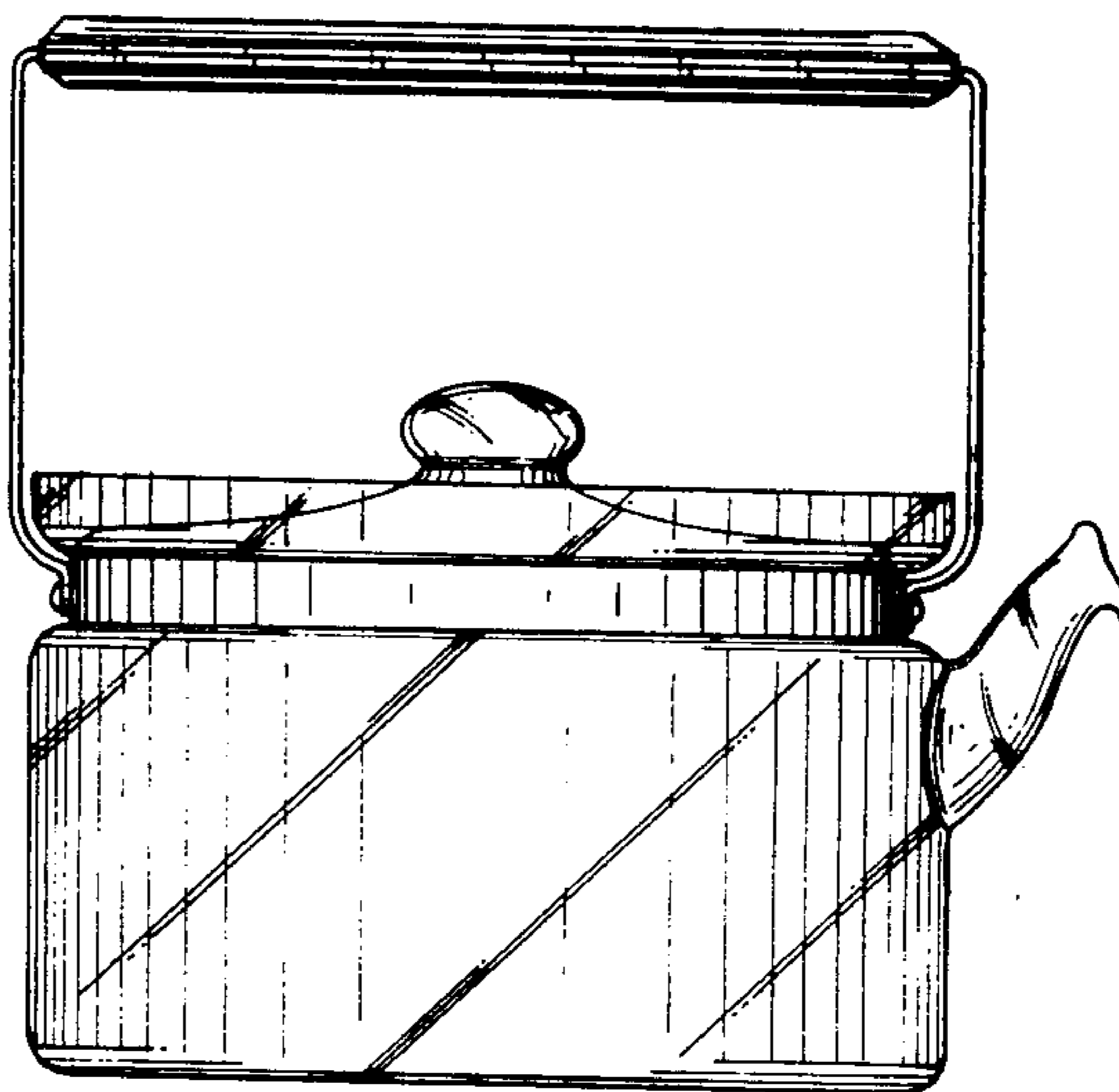
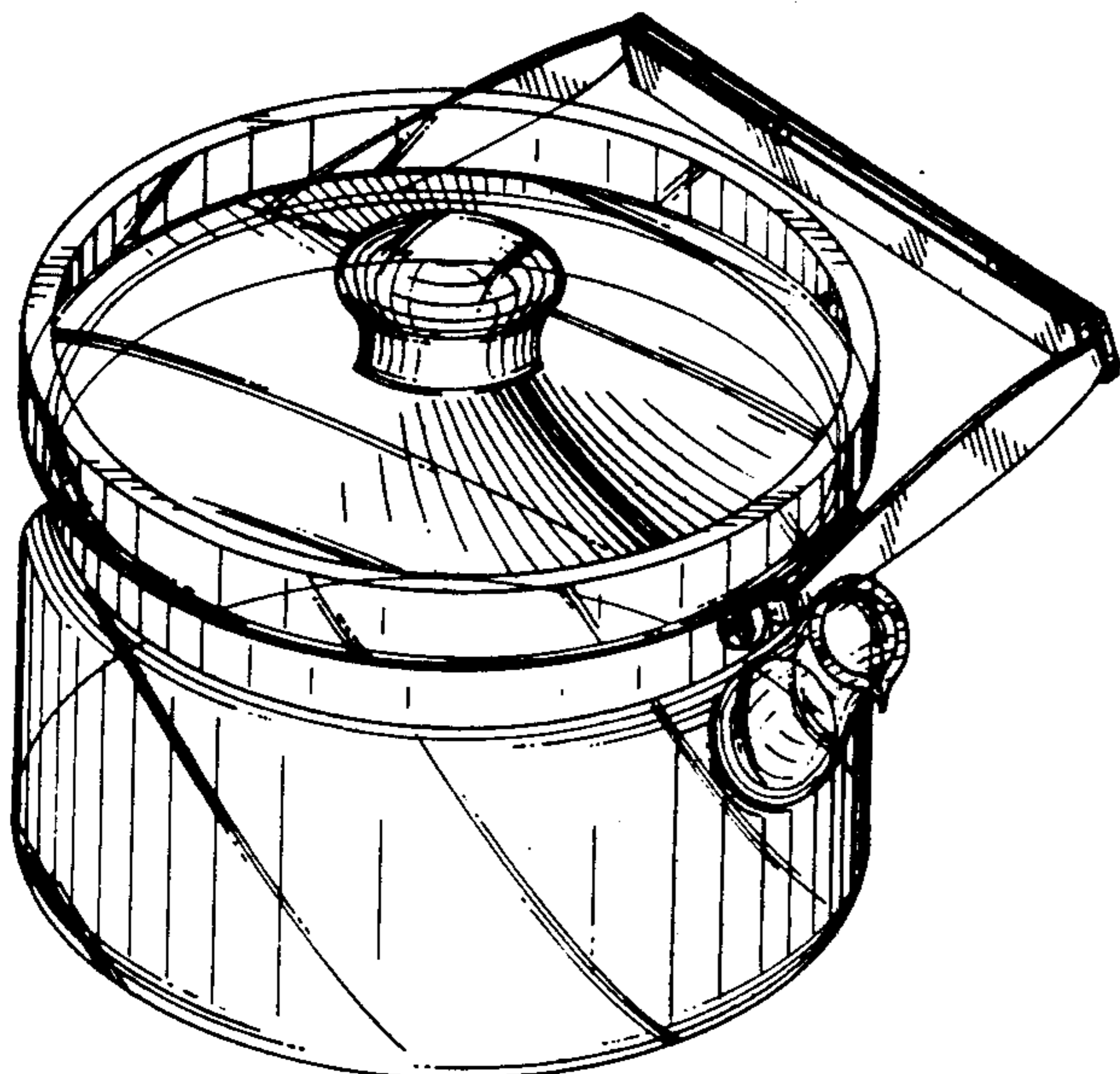


Fig. 1

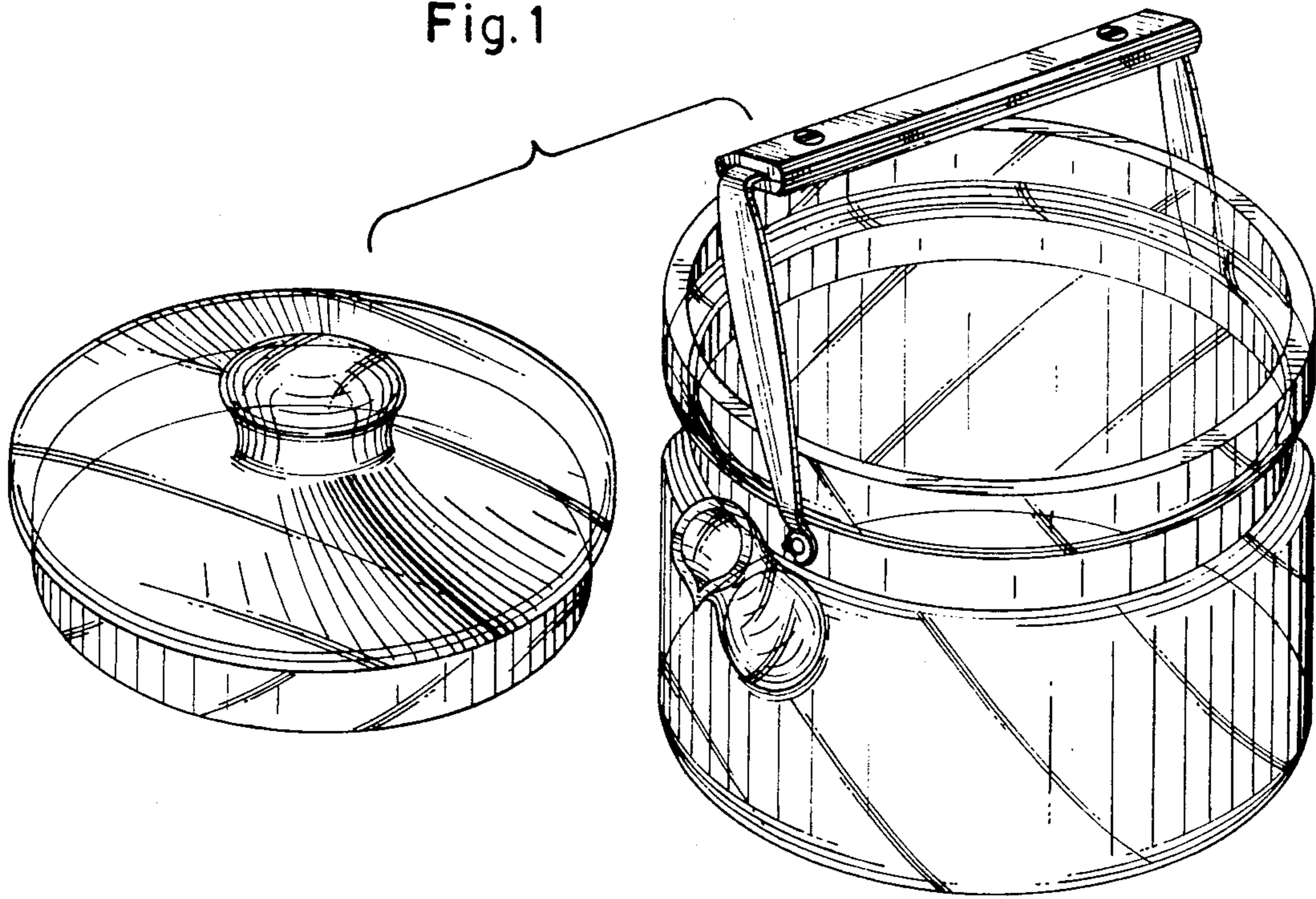


Fig. 2

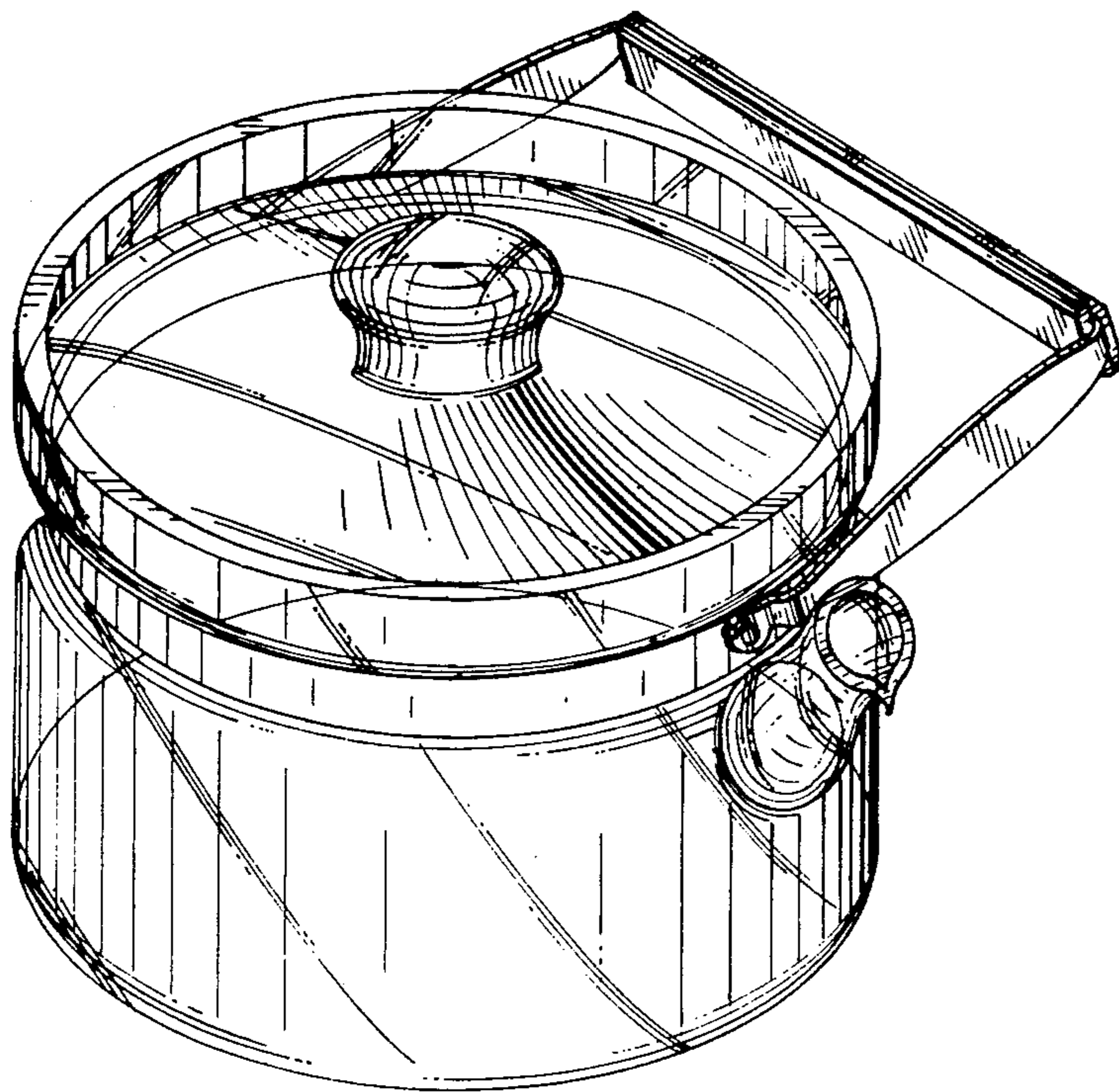


Fig.3

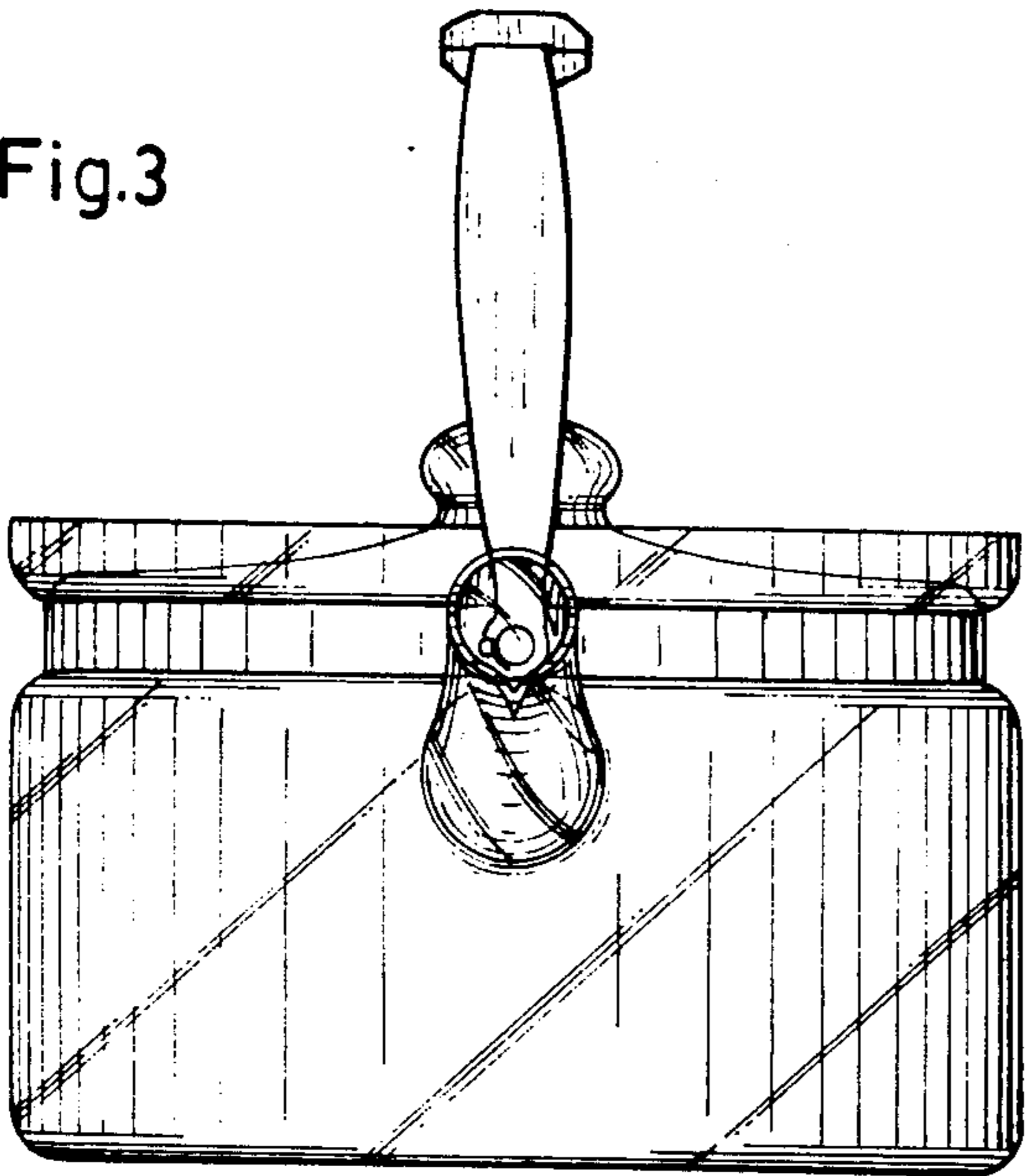


Fig.4

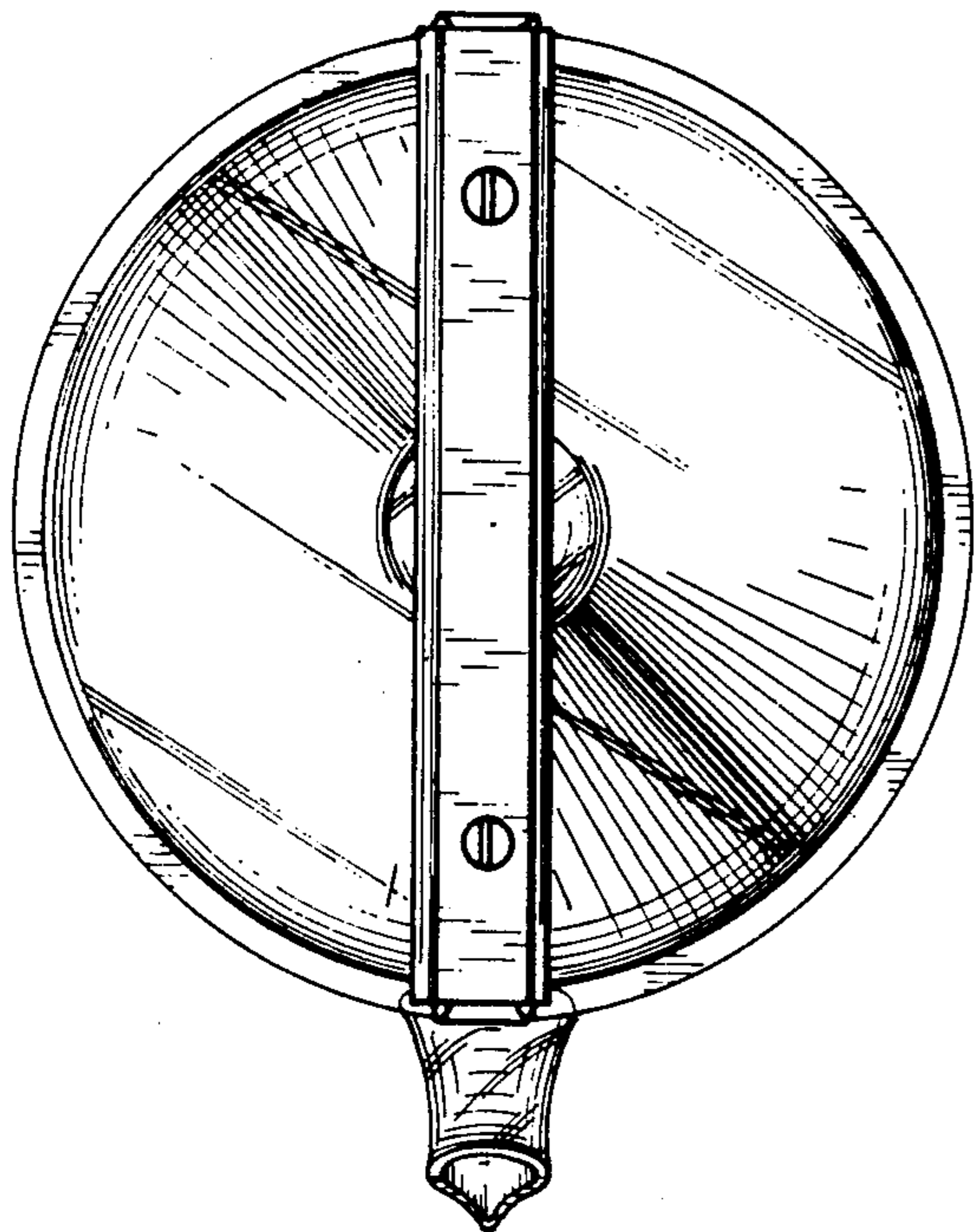
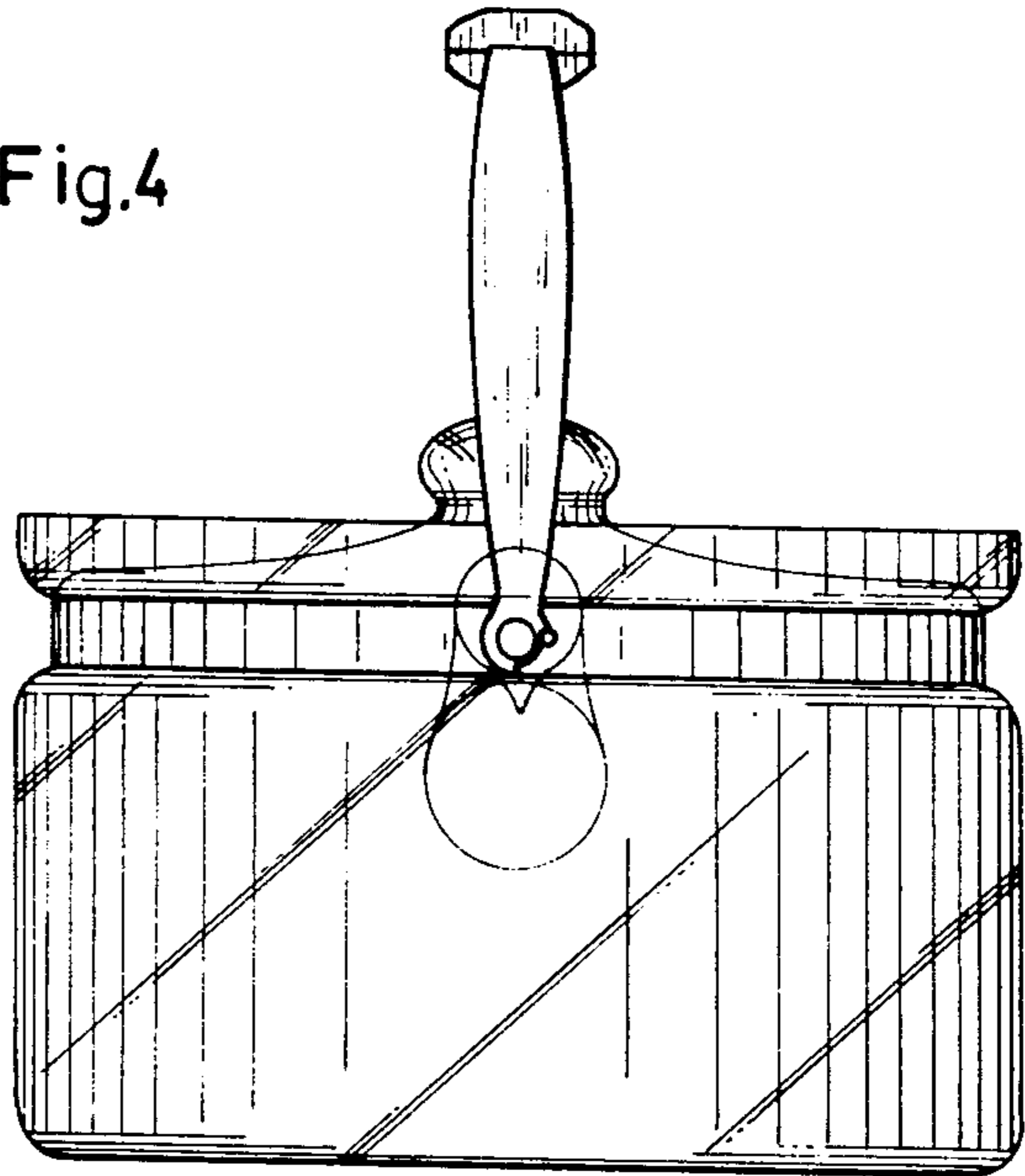


Fig.5

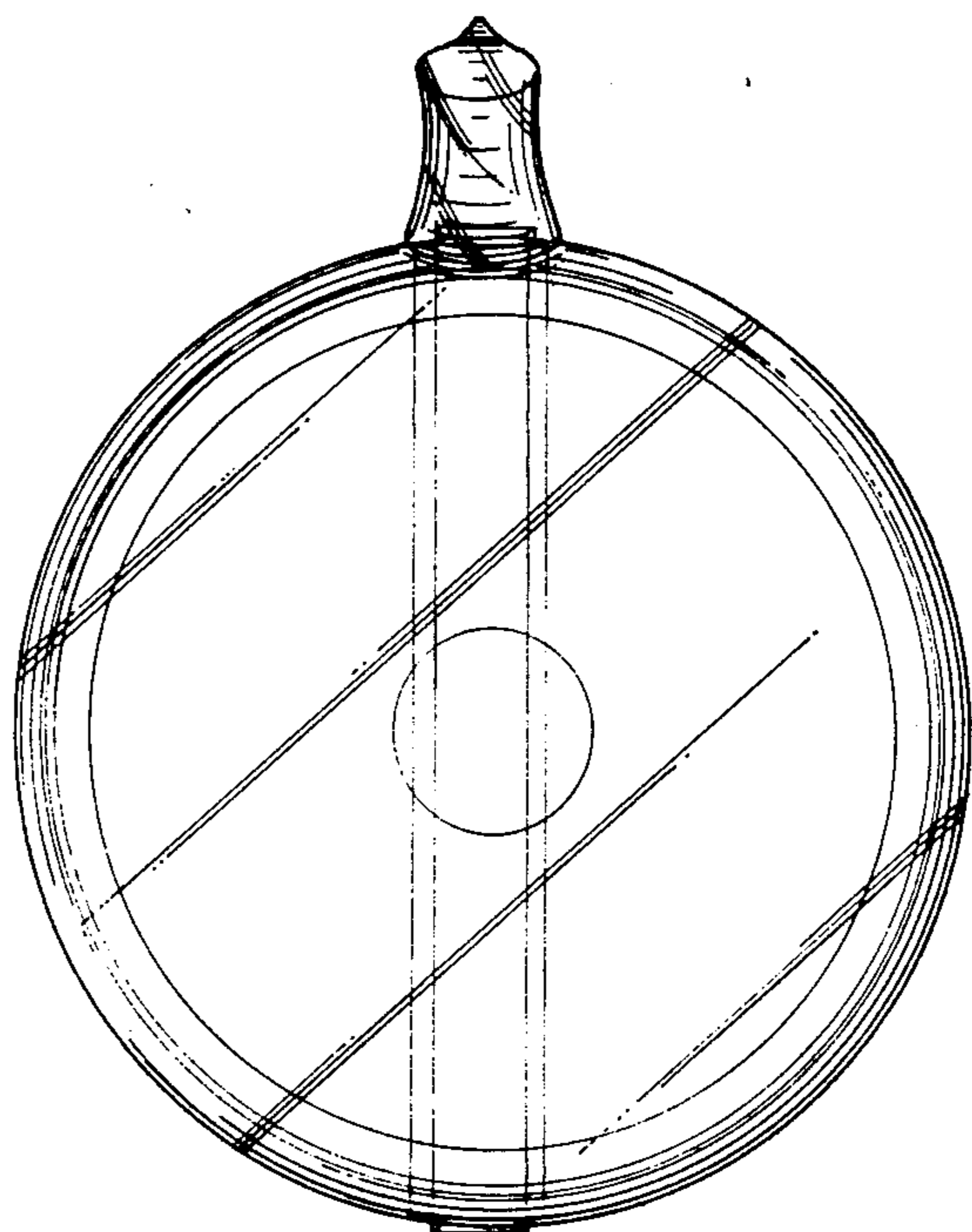


Fig.6

Fig.7

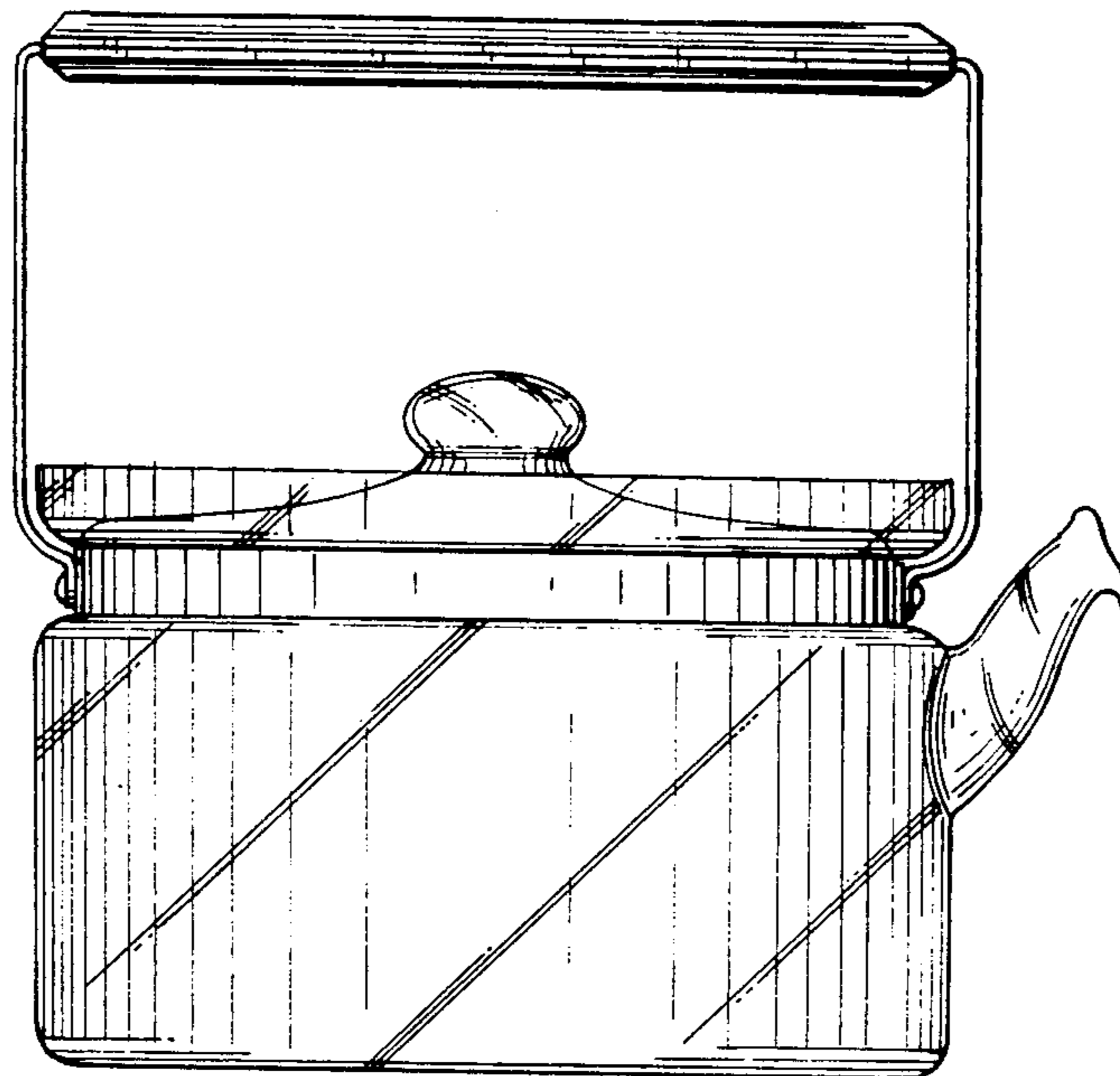


Fig.8

