

[54] **AUTO HEADREST**  
[76] Inventor: **R. V. Otis Perkey**, 1310 SE. 30th Ave., Ocala, Fla. 32670  
[\*\*] Term: **14 Years**  
[21] Appl. No.: **821,583**  
[22] Filed: **Aug. 3, 1977**  
[51] Int. Cl. .... **D6-06**  
[52] U.S. Cl. .... **D6/200**  
[58] Field of Search ..... D6/22, 37-39, D6/47, 48, 66, 67, 200; 297/391, 394, 396, 397, 399-402  
[56] **References Cited**  
**U.S. PATENT DOCUMENTS**  
D. 202,338 9/1965 Chessrown ..... D6/200

3,226,159 12/1965 Binding ..... 297/397  
3,480,976 12/1969 Yavner ..... 297/391 X  
3,497,259 2/1970 Sherfey ..... 297/391  
4,030,781 6/1977 Howard ..... 297/397

*Primary Examiner*—Bruce W. Dunkins  
*Attorney, Agent, or Firm*—Thomas B. Van Poole

[57] **CLAIM**

The ornamental design for an auto headrest, substantially as shown and described.

**DESCRIPTION**

FIG. 1 is a front perspective view of an auto headrest embodying my new design;  
FIG. 2 is a rear perspective view thereof;  
FIG. 3 is a top plan view thereof;  
FIG. 4 is a rear elevation view thereof; and  
FIG. 5 is a side elevation view thereof.

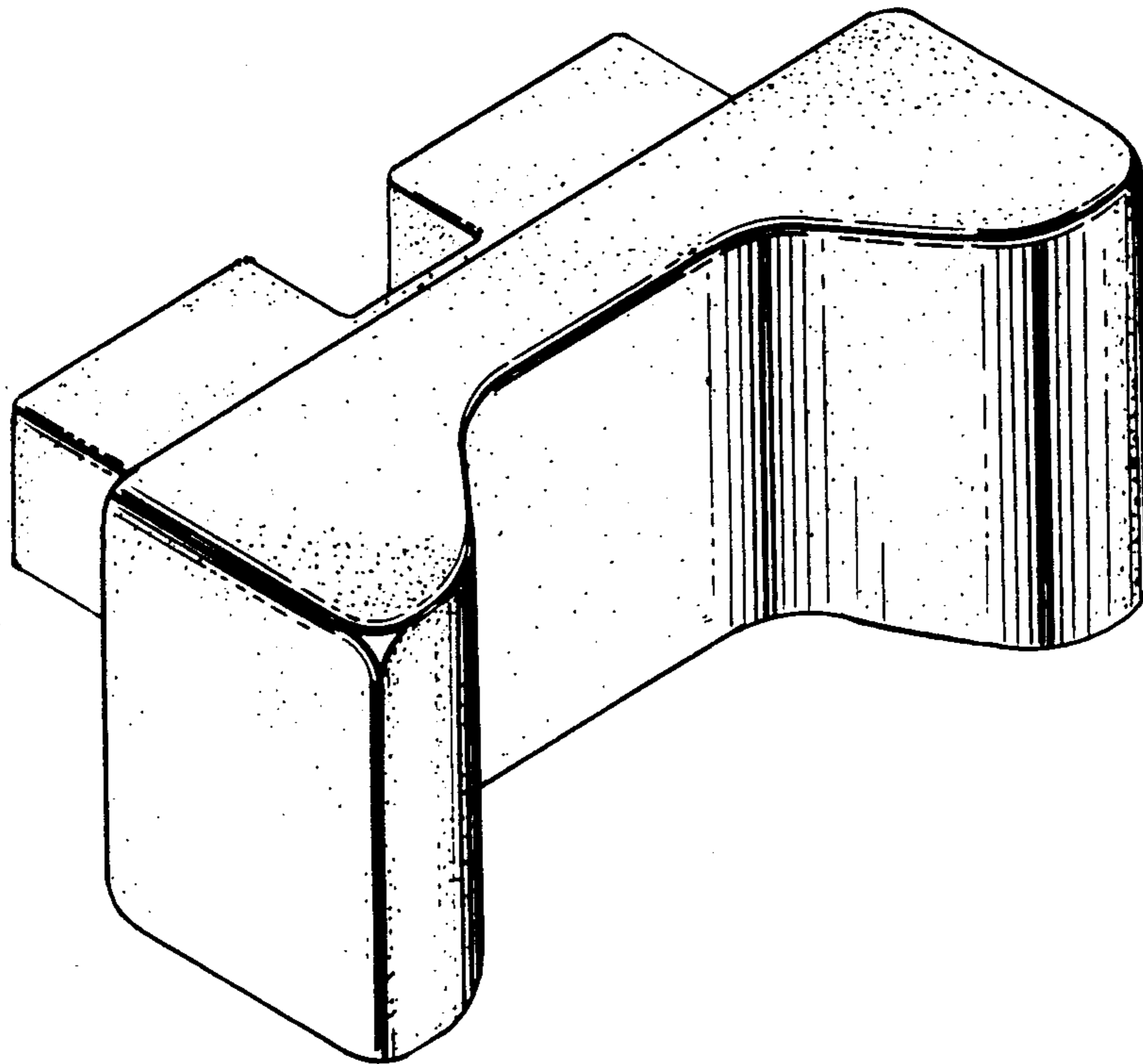


Fig-1

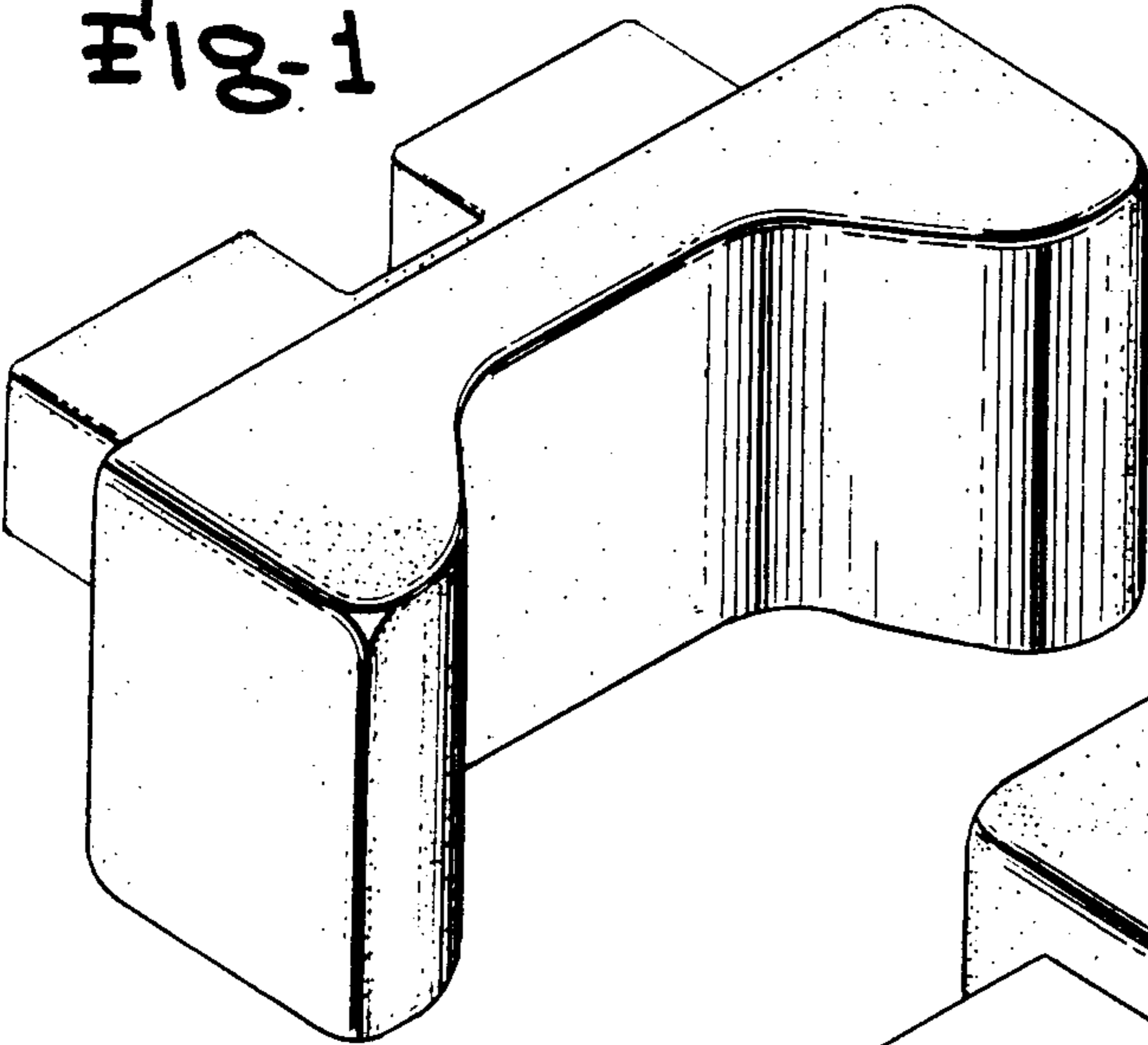


Fig-2

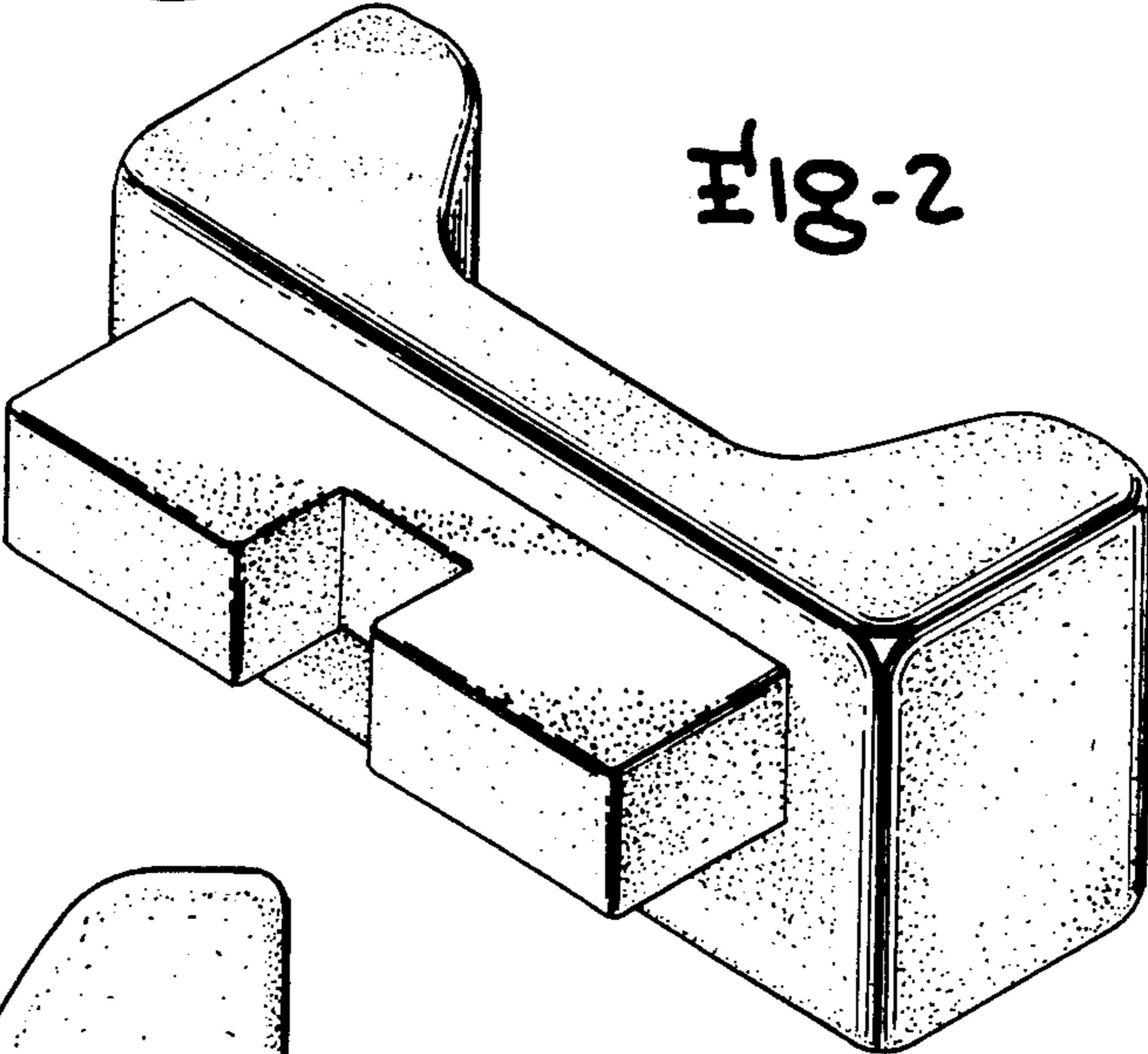


Fig-3

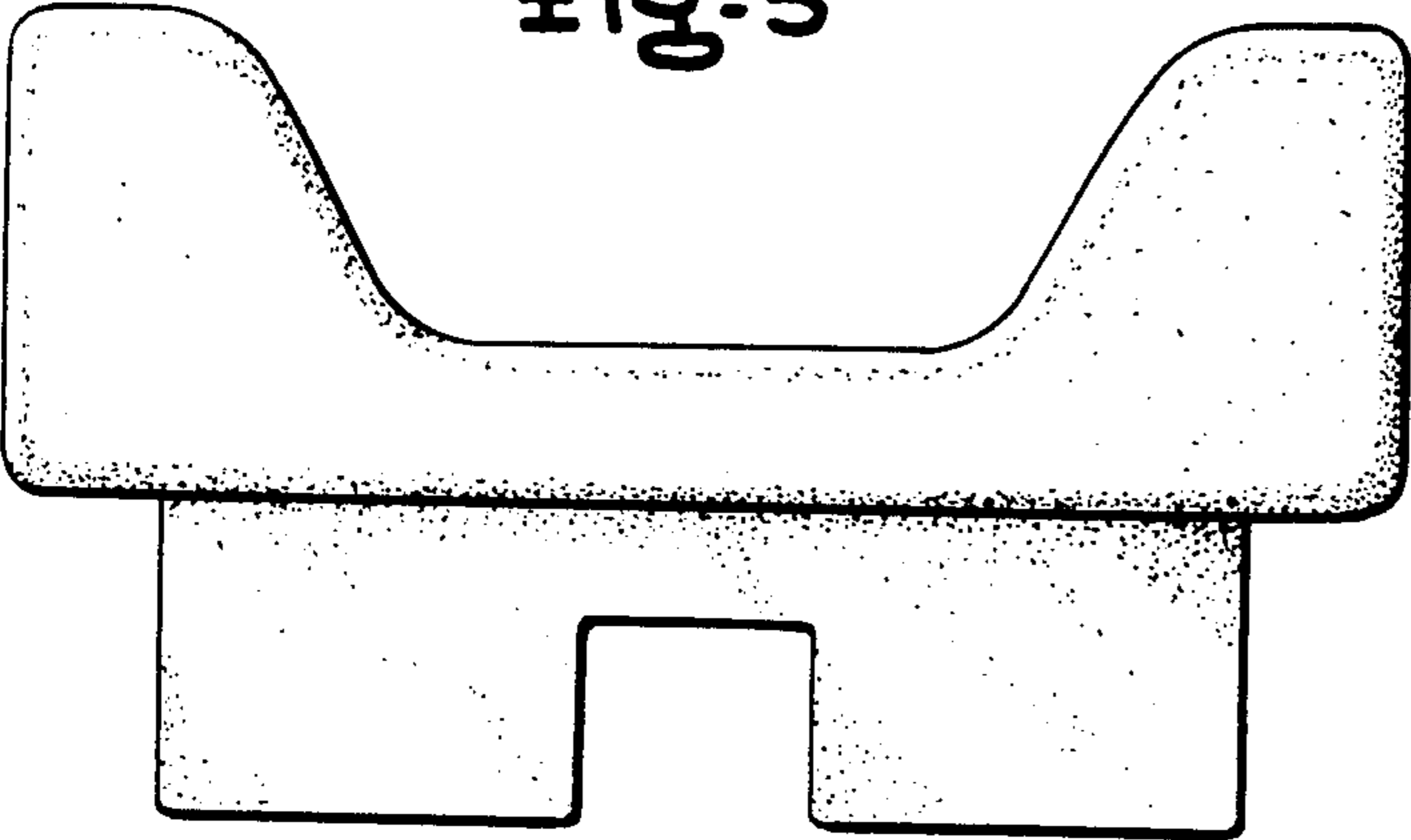


Fig-4

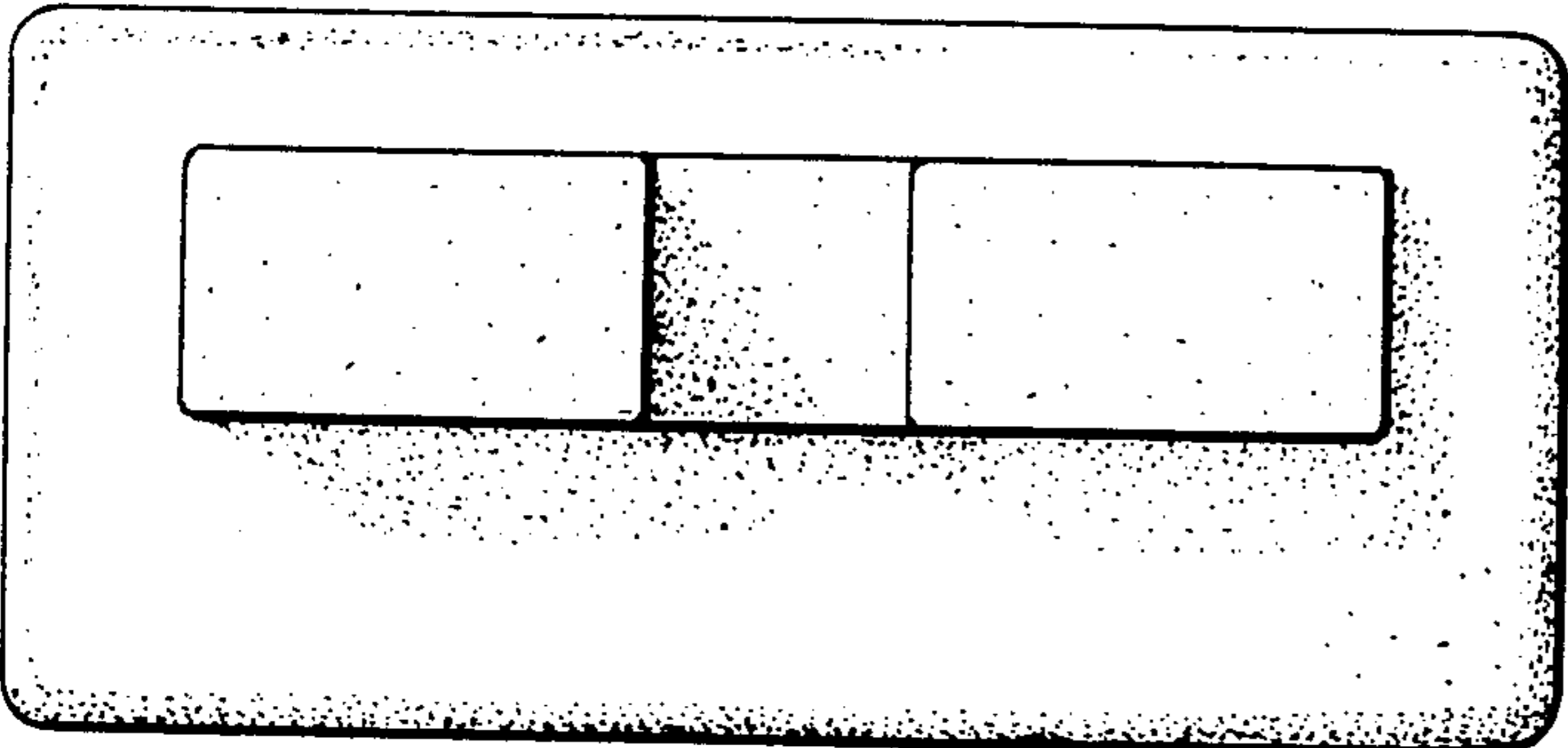


Fig-5

