

[54] **WORKBENCH**

[76] **Inventor:** **Ronald E. Isles, 1161 Steele Dr.,
Brea, Calif. 92621**

[**] **Term:** **14 Years**

[21] **Appl. No.:** **763,361**

[22] **Filed:** **Jan. 28, 1977**

[51] **Int. Cl.** **D6—03**
[52] **U.S. Cl.** **D6/177; D6/156**
[58] **Field of Search** **D6/27, 146-149,
D6/157, 175, 177-179, 158, 161, 162, 156**

[56]

References Cited

U.S. PATENT DOCUMENTS

D. 195,036	4/1963	Grow et al.	D6/156
D. 235,834	7/1975	Payne et al.	D6/156 X
D. 239,488	4/1976	Sandefur	D6/161 X
D. 241,214	8/1976	Szucs	D6/156 X
3,273,517	9/1966	Amthor, Jr. et al.	D6/156 X

Primary Examiner—Bruce W. Dunkins
Attorney, Agent, or Firm—John B. Young

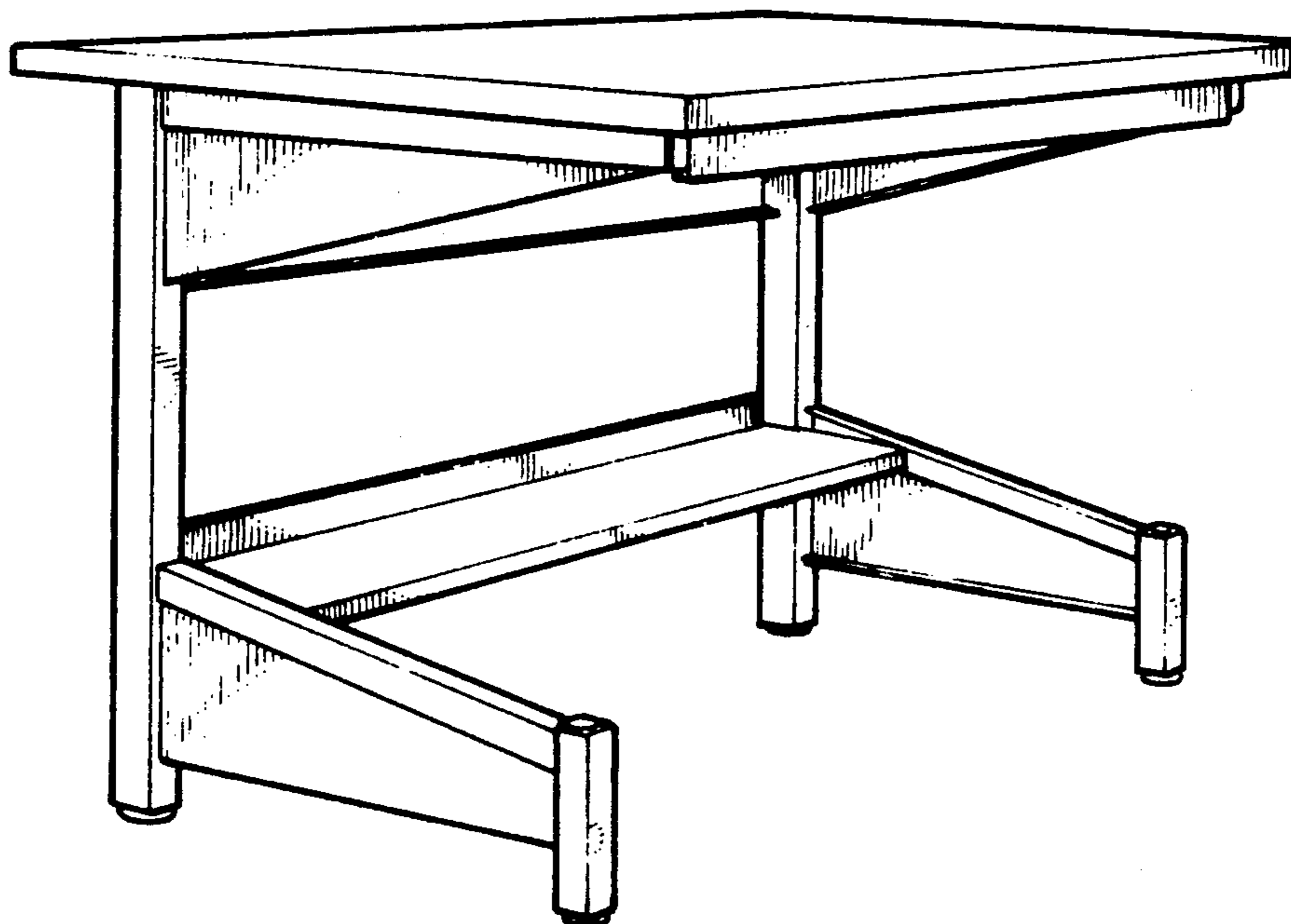
[57]

CLAIM

The ornamental design for a workbench, as shown.

DESCRIPTION

FIG. 1 is a top, front and left side perspective view of a workbench showing the new design;
FIG. 2 is a right side view thereof;
FIG. 3 is a rear elevational view thereof; and
FIG. 4 is a bottom plan view thereof.



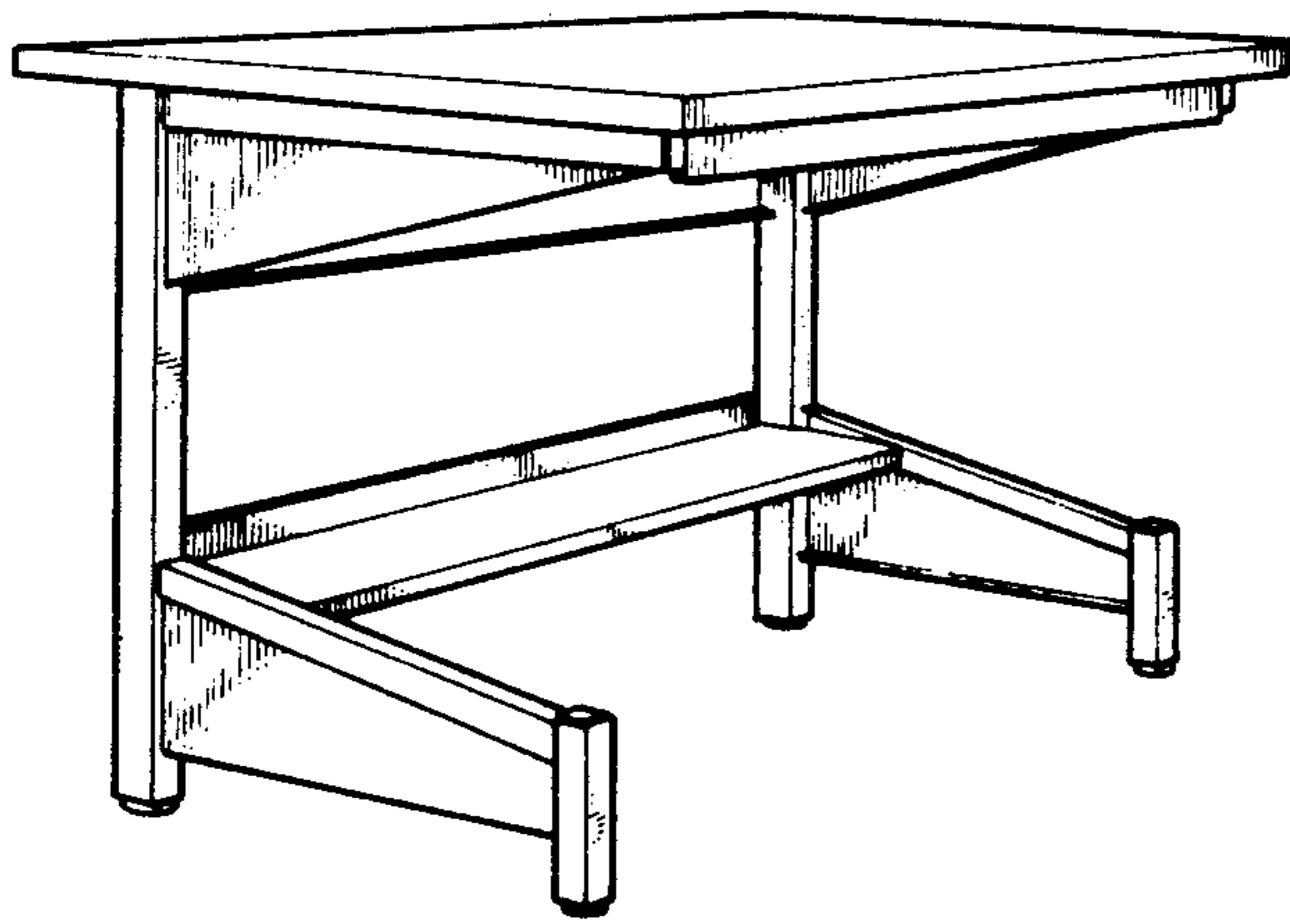


FIG. 1

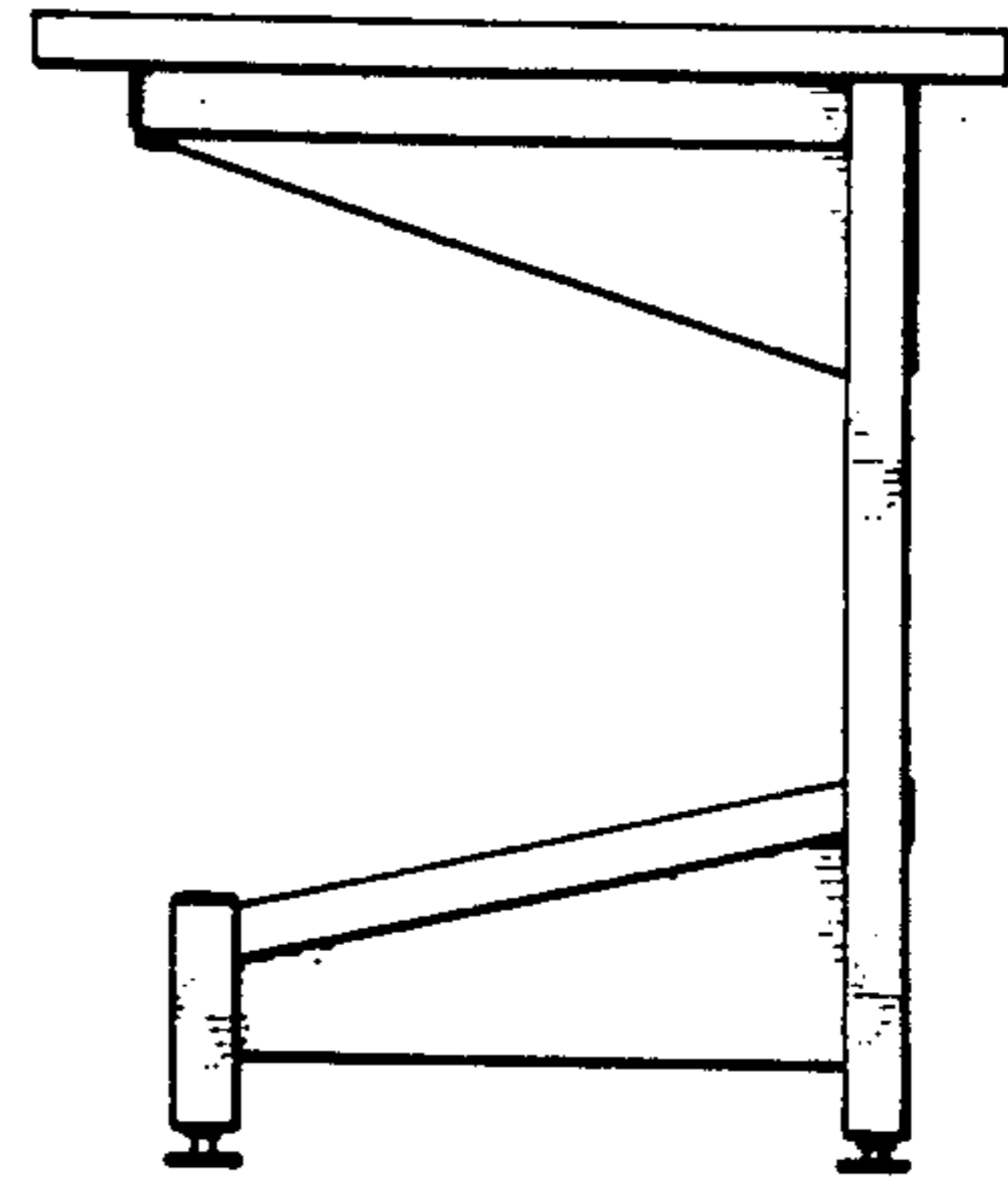


FIG. 2

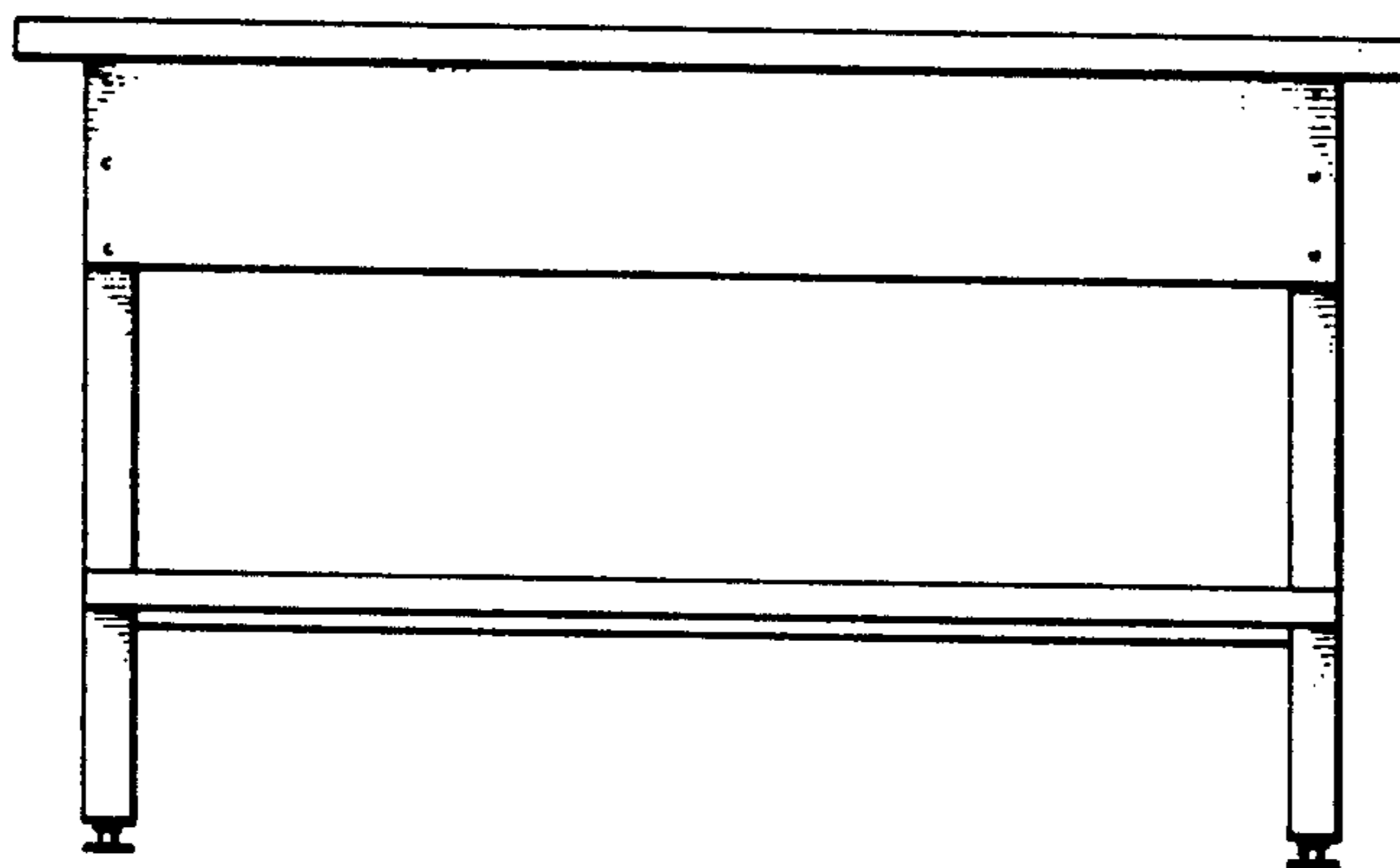


FIG. 3

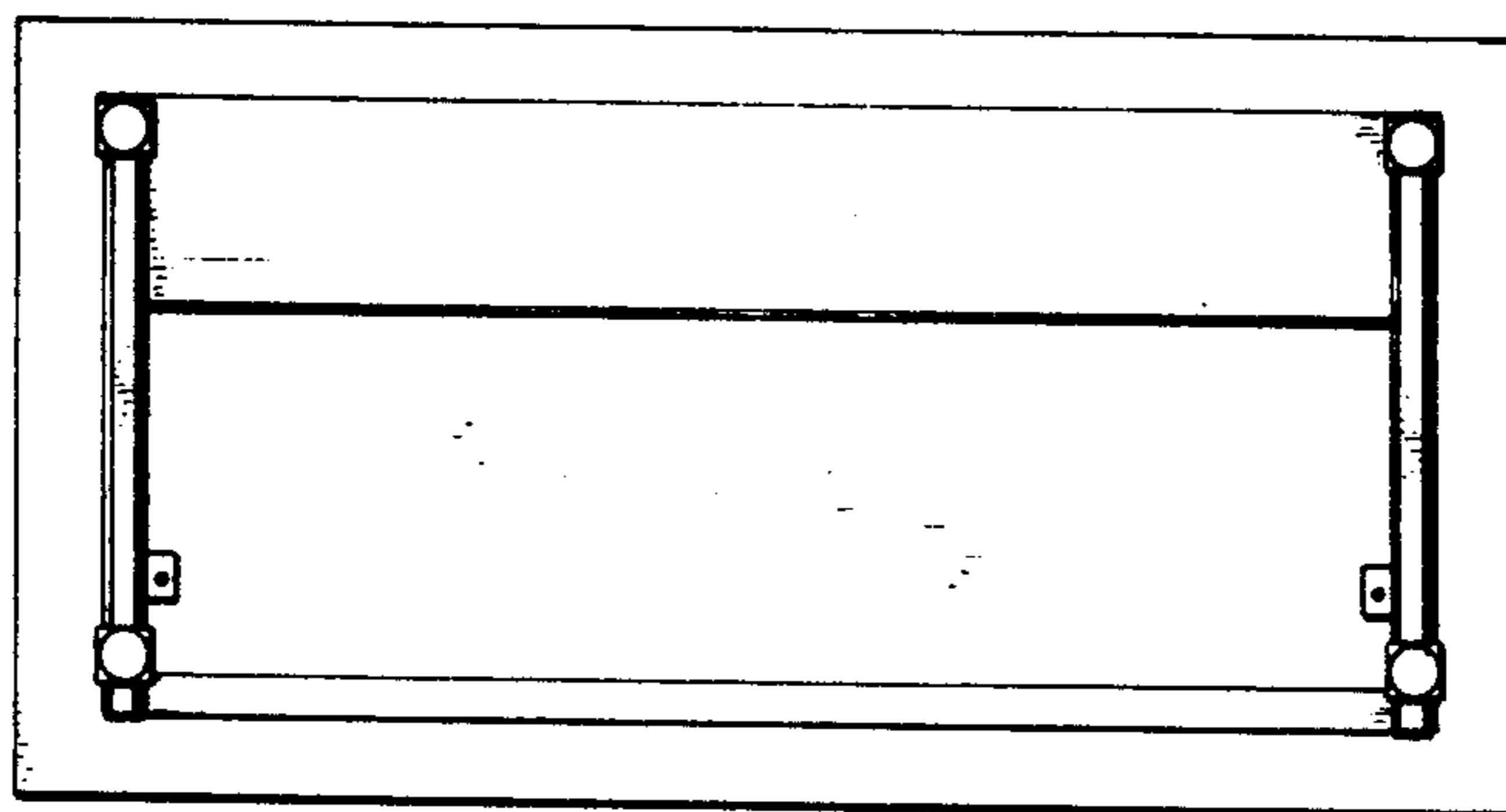


FIG. 4