

[54] SOUND INSULATING COVER FOR TYPEWRITER TELETYPE OR THE LIKE

[76] Inventor: **Berndt E. Frick**, Herrgårdsvägen 9, 13500 Tyresö, Sweden

[\*\*] Term: **14 Years**

[21] Appl. No.: **779,568**

[22] Filed: **Mar. 21, 1977**

[51] Int. Cl. .... **D18-99**

[52] U.S. Cl. .... **D18/12; D14/50; D14/93**

[58] Field of Search ..... **D64/11 A, 11 R; D14/50, D14/93; 181/201; 312/208; 400/689-690.4**

[56] **References Cited**

**U.S. PATENT DOCUMENTS**

D. 83,408	2/1931	Mahoney et al. ....	D14/93
D. 129,764	9/1941	Lauder et al. ....	D14/93
D. 232,003	7/1974	Frick .....	D64/11 R
D. 234,270	2/1975	Frick .....	D64/11 R
3,785,452	1/1974	Scott .....	181/201

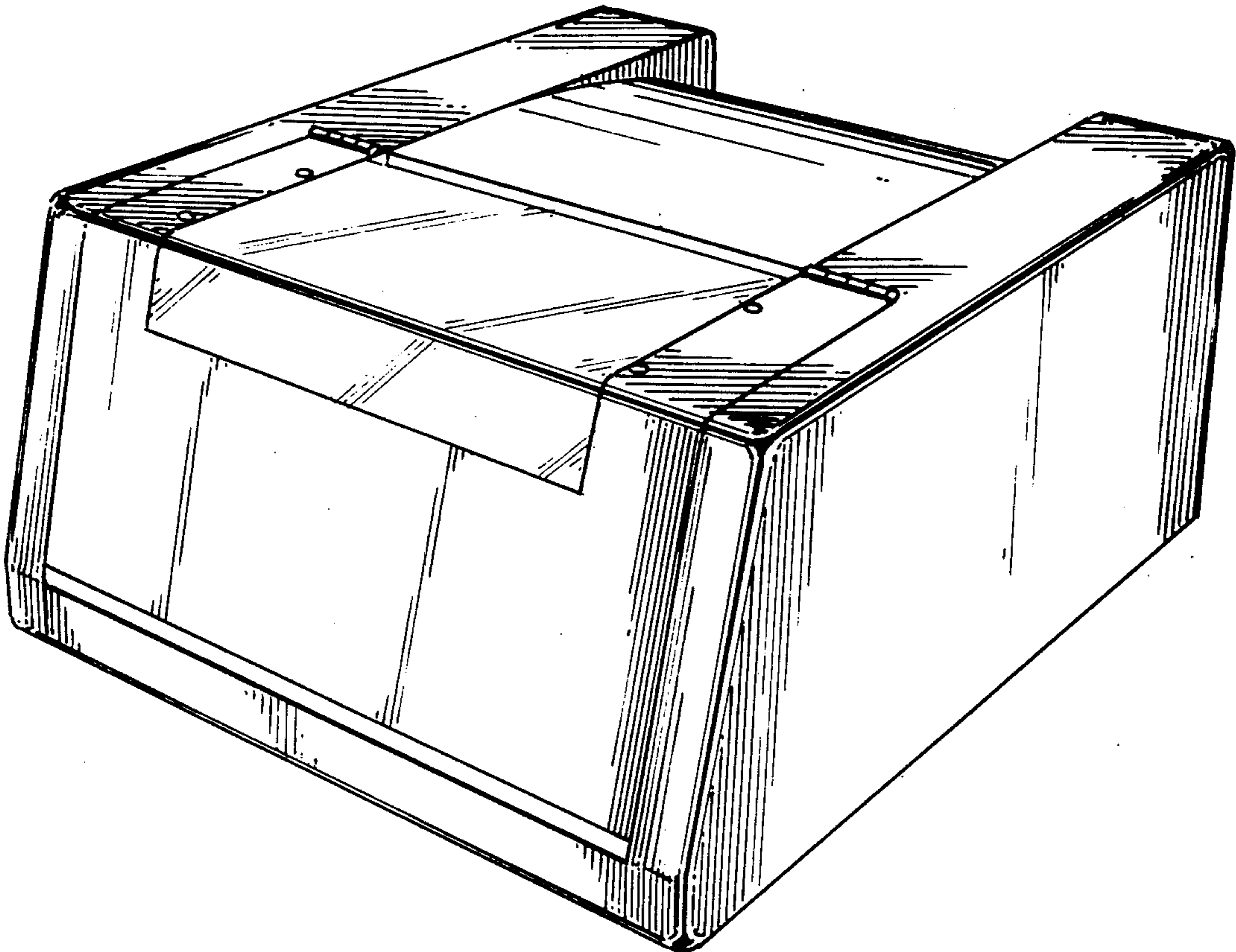
*Primary Examiner*—Louis S. Zarfes  
*Attorney, Agent, or Firm*—William L. Mathis

[57] **CLAIM**

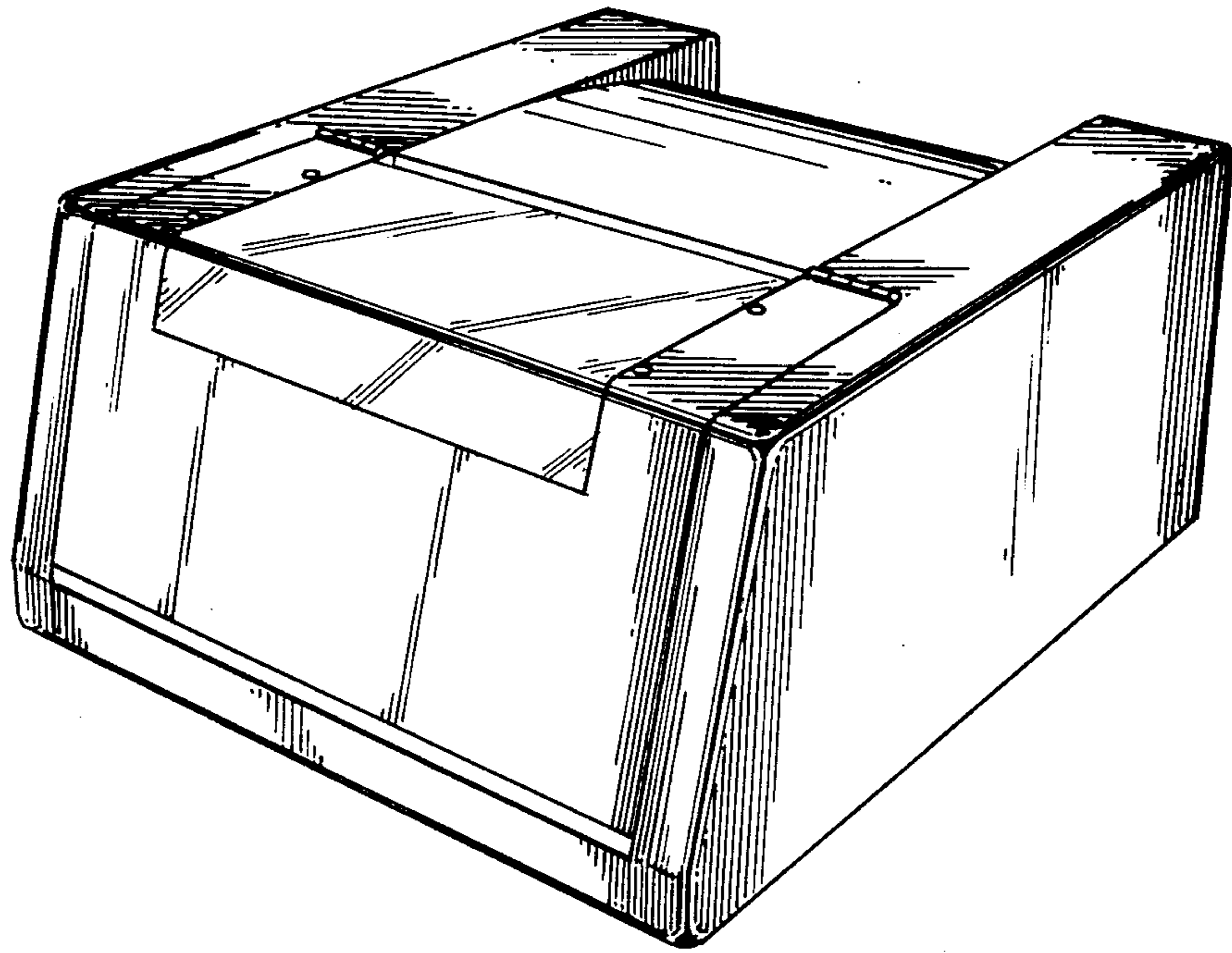
The ornamental design for a sound insulating cover for typewriter, teletype or the like, as shown and described.

**DESCRIPTION**

FIG. 1 is a top, front perspective view of a sound insulating cover for typewriter, teletype, or the like showing my new design; and FIG. 2 is a bottom, rear perspective view.



*FIG. 1*



*FIG. 2*

