

[54] COMBINED PORTABLE SPOT AND FLOOD LIGHT

[76] Inventor: Thomas Zelina, 4222 McCreary Rd., Erie, Pa. 16509

[\*\*] Term: 14 Years

[21] Appl. No.: 869,027

[22] Filed: Jan. 12, 1978

Related U.S. Application Data

[63] Continuation-in-part of Ser. No. 729,587, Oct. 4, 1976, Pat. No. Des. 247,457.

[51] Int. Cl. .... D26-02

[52] U.S. Cl. .... D48/24 R

[58] Field of Search ..... D48/24 R, 24 A, 20 K; 362/158, 161, 164, 183, 184, 187, 188, 189, 190, 191, 194, 196, 201, 202, 203, 204, 205, 208, 222, 223

[56] References Cited

U.S. PATENT DOCUMENTS

- D. 99,793 5/1936 Graubner ..... D48/24 A
- D. 113,257 2/1939 Cargill ..... D48/24 A
- D. 217,100 4/1970 Bidder ..... D48/24 R
- D. 234,001 12/1974 Strowe et al. .... D48/24 R

- D. 244,876 6/1977 Zelina ..... D48/24 R
- 2,413,599 12/1946 Beck ..... 362/157
- 3,331,958 7/1967 Adler ..... 362/157
- 3,978,330 8/1976 Maurer ..... 362/158

FOREIGN PATENT DOCUMENTS

- 6506150 11/1965 Netherlands ..... 362/223

Primary Examiner—Susan J. Lucas

Attorney, Agent, or Firm—Charles L. Lovercheck

[57] CLAIM

The ornamental design for a combined portable spot and flood light, as shown and described.

DESCRIPTION

FIG. 1 is an isometric view of a combined portable spot and flood light showing my new design.

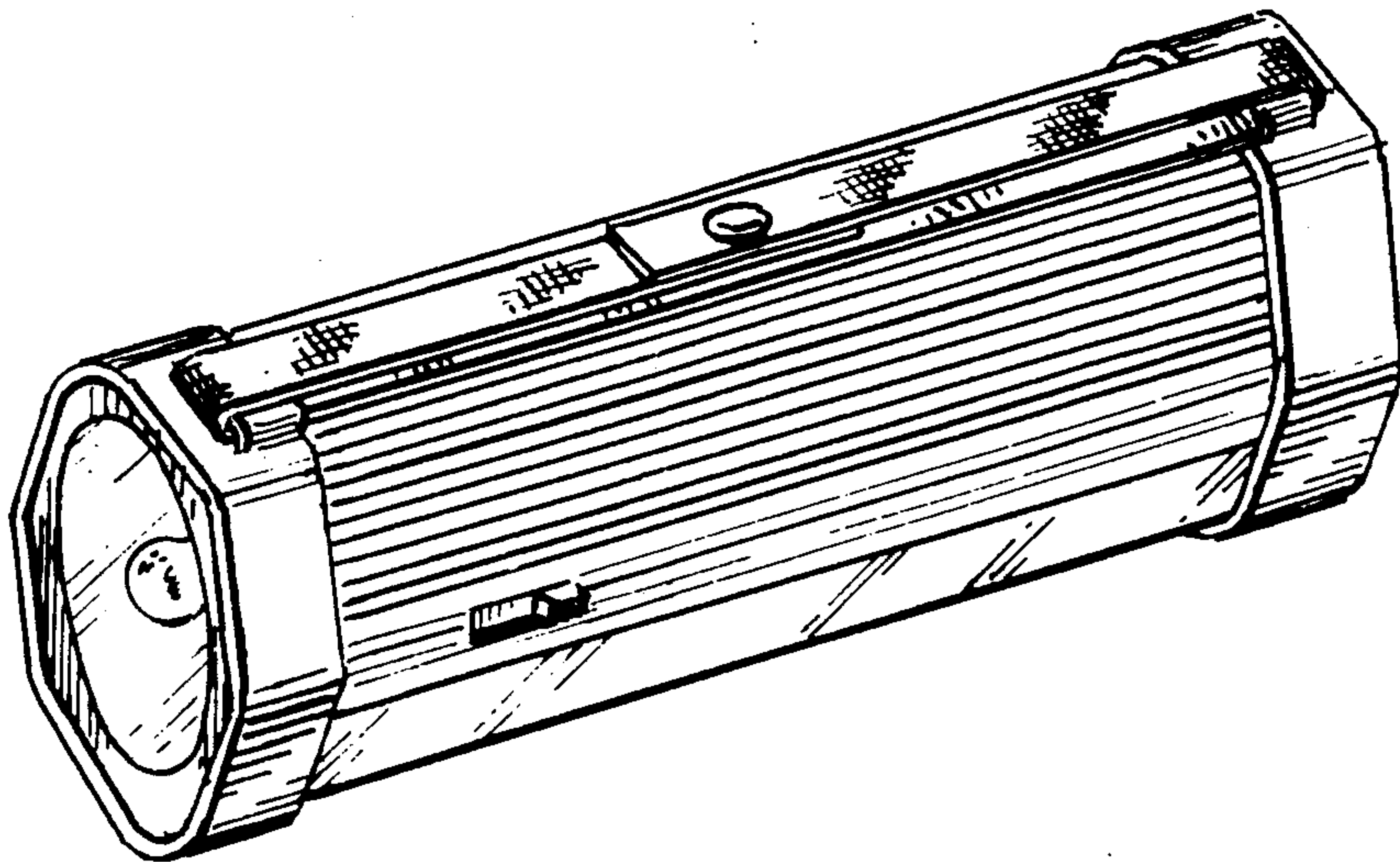
FIG. 2 is a top view of the light on an enlarged scale.

FIG. 3 is a side view of the light on an enlarged scale; the opposite side being identical except for the omission of the switch.

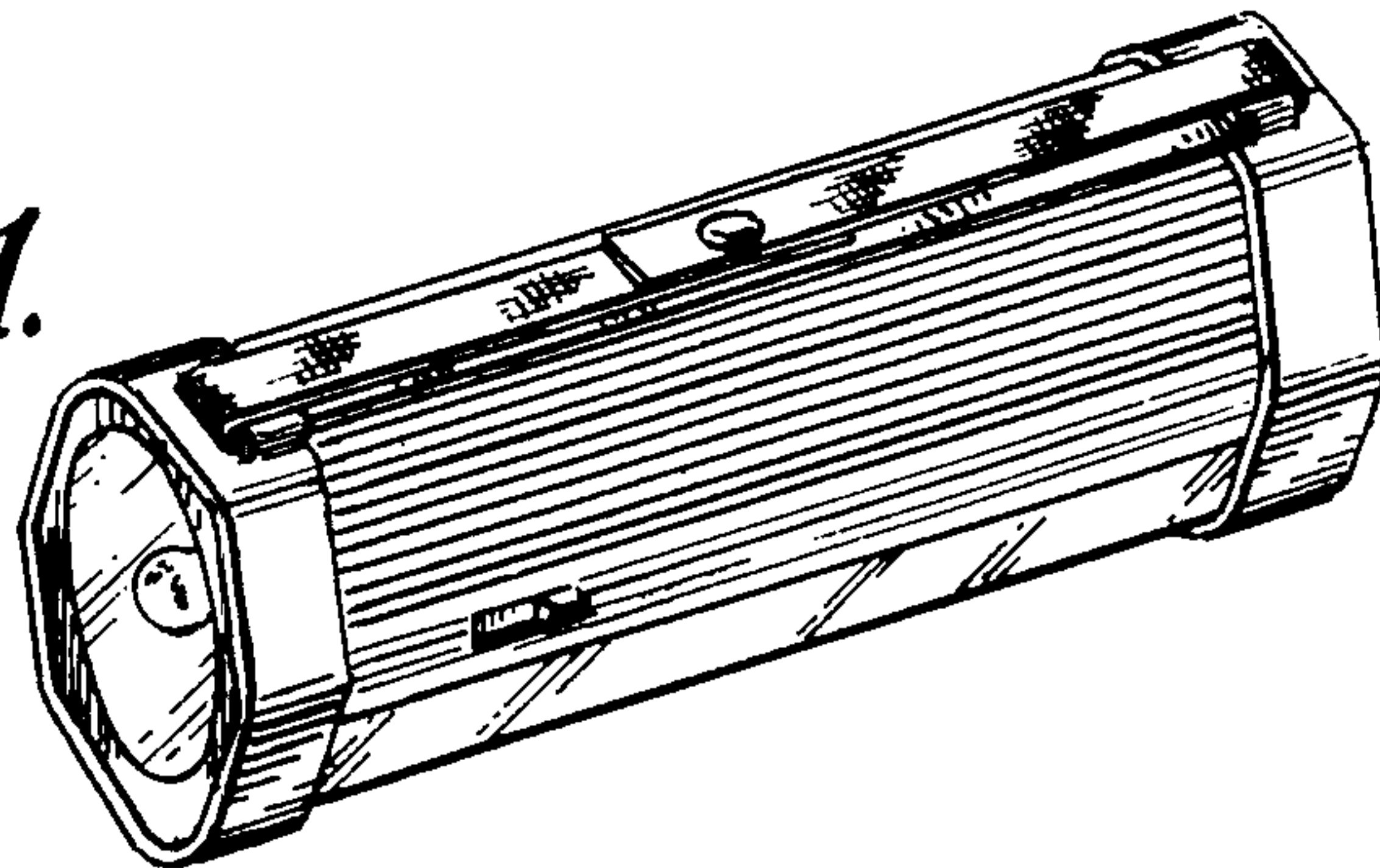
FIG. 4 is a bottom view of the light on an enlarged scale.

FIG. 5 is an end view as seen from the left of FIG. 1 on an enlarged scale.

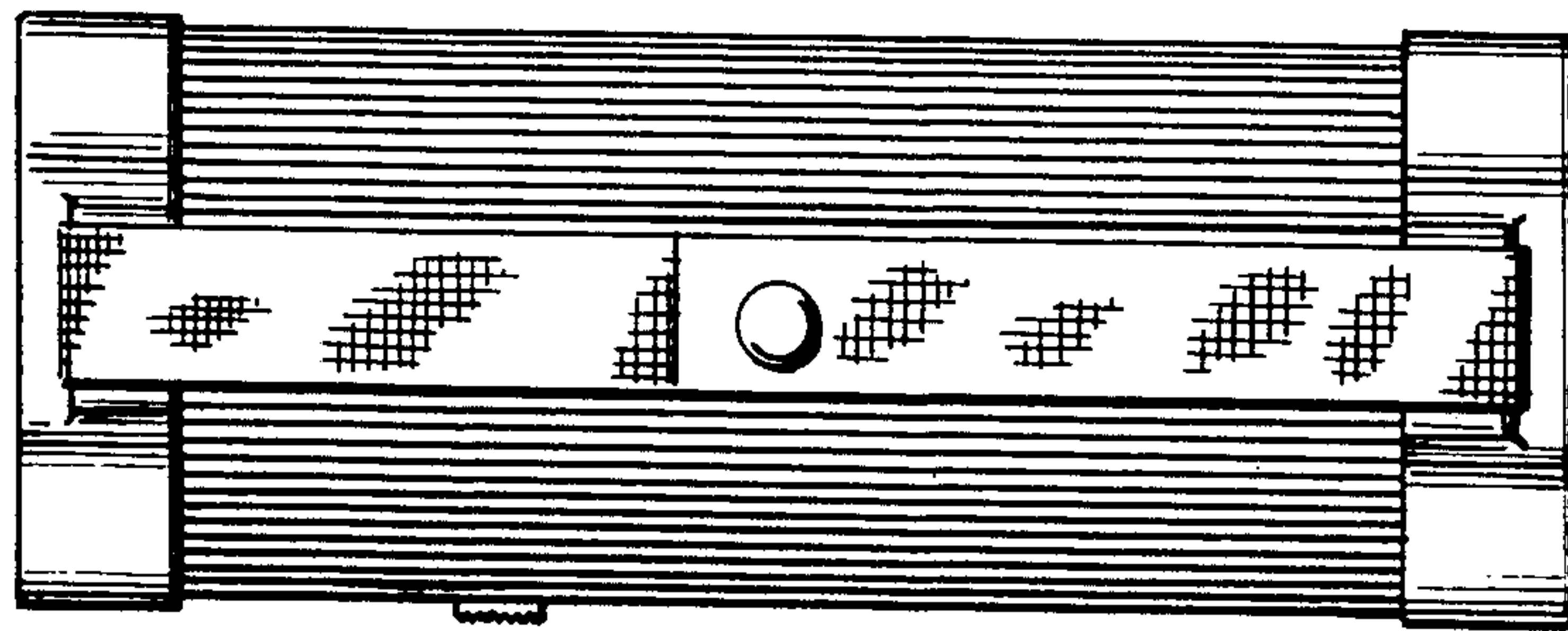
FIG. 6 is a view of the end opposite that shown in FIG. 5.



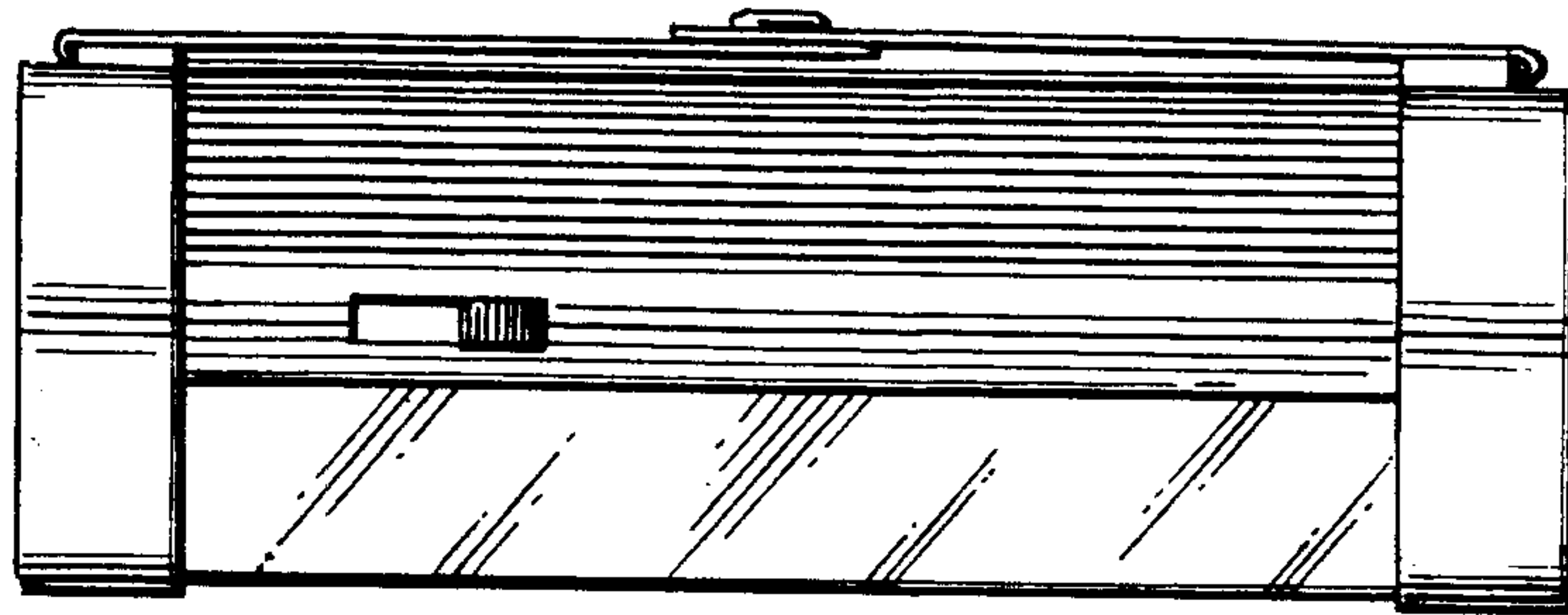
*FIG. 1.*



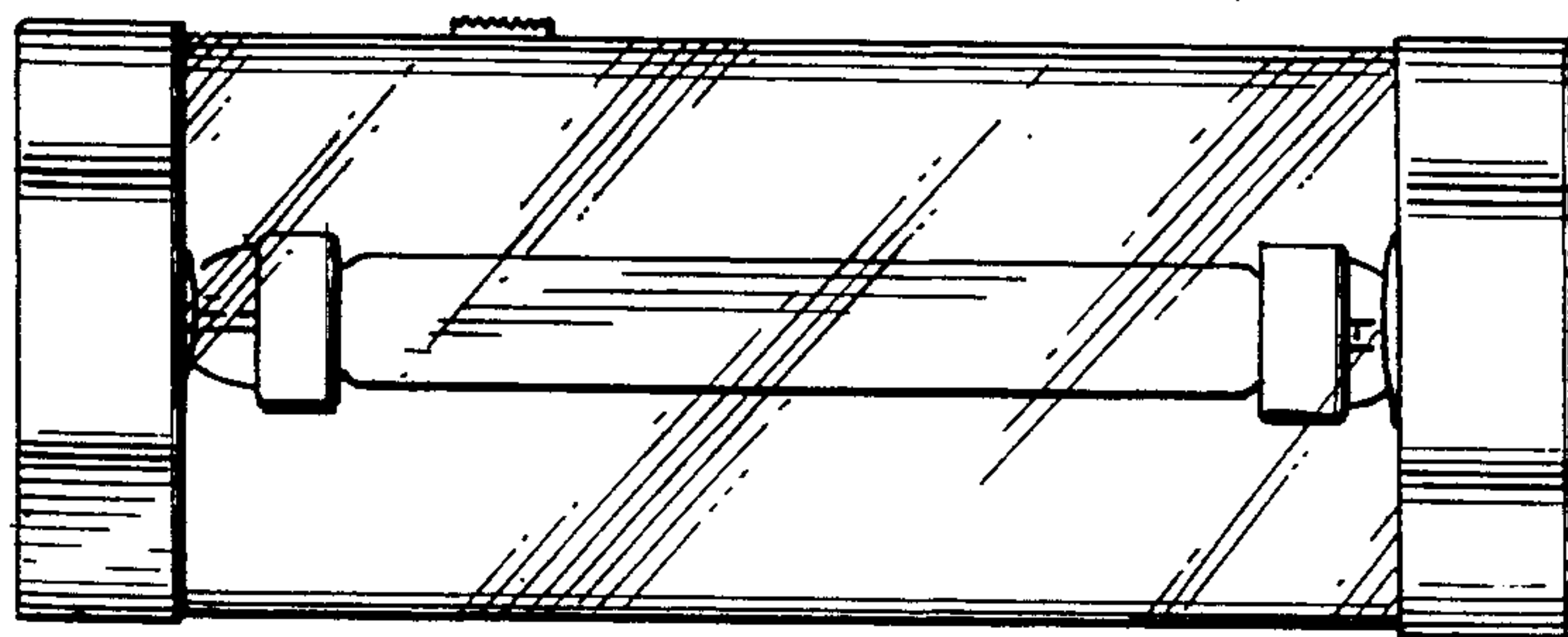
*FIG. 2.*



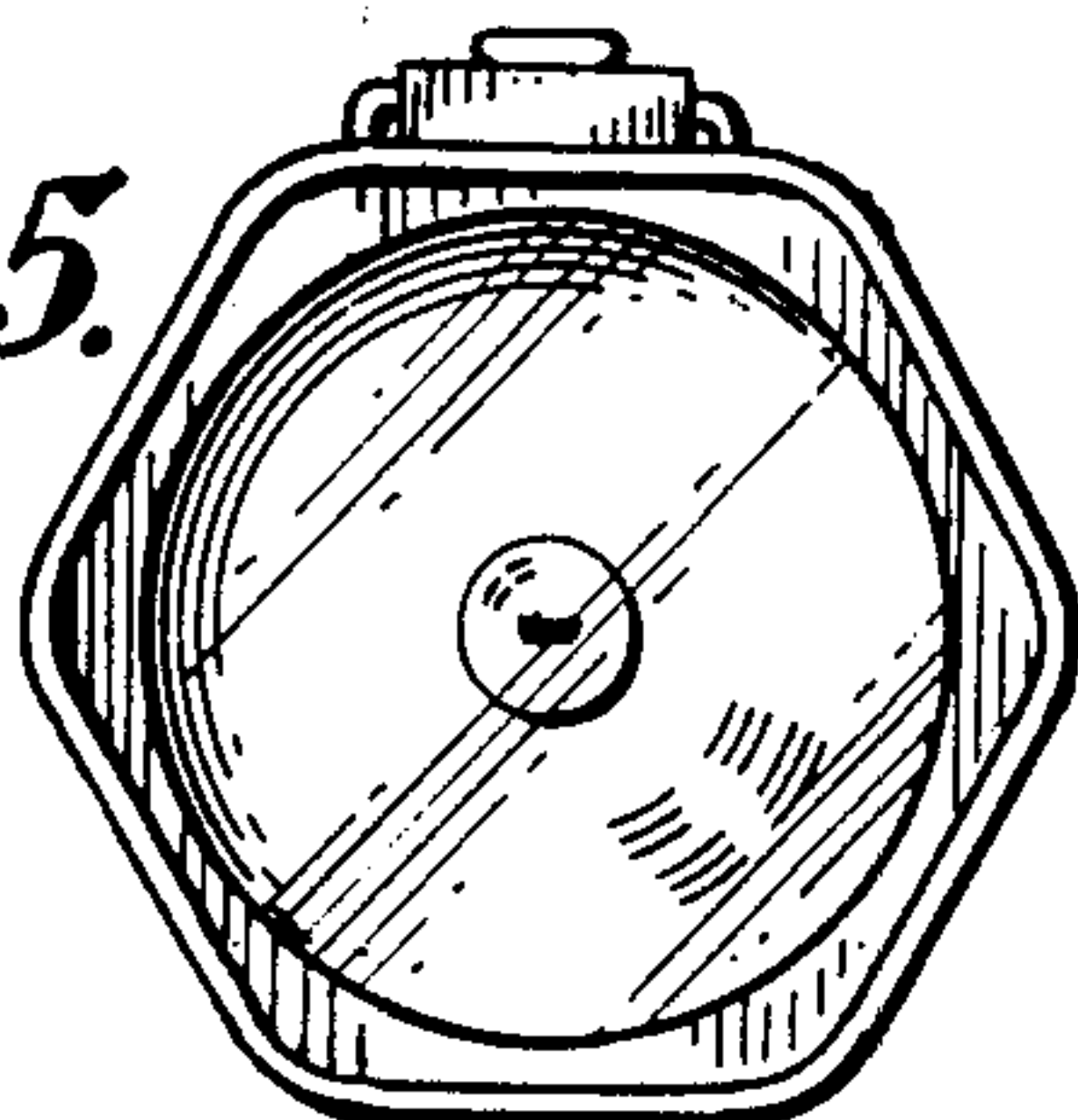
*FIG. 3.*



*FIG. 4.*



*FIG. 5.*



*FIG. 6.*

