

[54] MOVIE LAMP OR SIMILAR ARTICLE

[75] Inventors: Warren H. Young, Marshfield; Nolan A. Drevitch, South Easton; Anthony G. Rosati, Salem, all of Mass.

[73] Assignee: Polaroid Corporation

[\*\*] Term: 14 Years

[21] Appl. No.: 790,890

[22] Filed: Apr. 26, 1977

[51] Int. Cl. .... D26-05; D16-05

[52] U.S. Cl. .... D48/20 K; D16/42

[58] Field of Search ..... D16/42; D48/20 K, 20 E, D48/16 B, 16 D; 362/3, 10, 171, 803, 362, 376

[56] References Cited

U.S. PATENT DOCUMENTS

- D. 204,714 5/1966 Shalvoy et al. .... D48/20 K X
- D. 212,549 10/1968 MacLeod, Jr. et al. .... D48/20 K
- D. 235,222 5/1975 Larson ..... D48/20 K

FOREIGN PATENT DOCUMENTS

- 477702 10/1969 Switzerland ..... 362/3
- 20882 9/1909 United Kingdom ..... D48/16 B

OTHER PUBLICATIONS

Photographic Trade News-Mar. 21, 1977-pp. 49 and 62-movie lights.

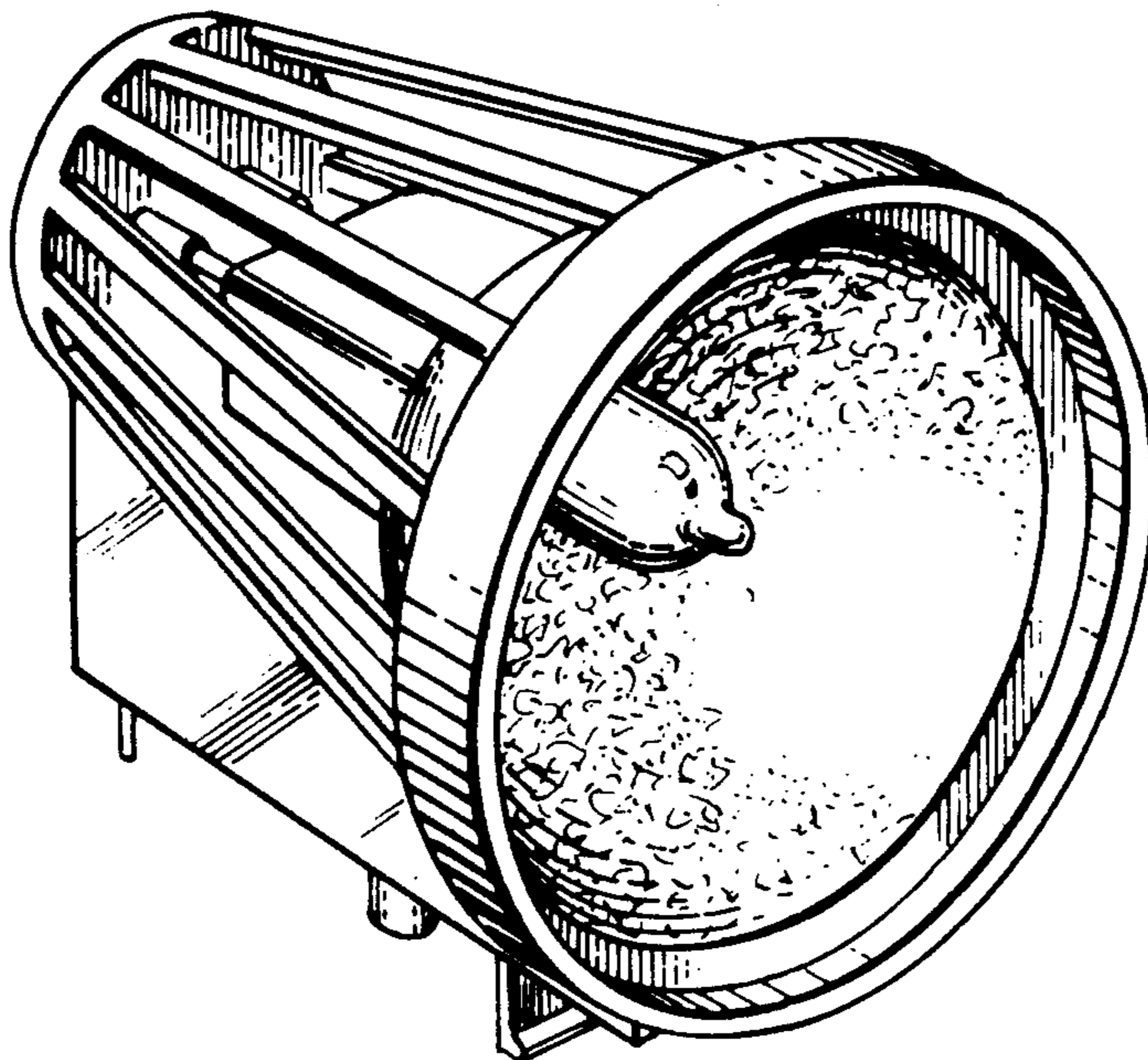
Primary Examiner—Wallace R. Burke  
Assistant Examiner—Catherine Kemper  
Attorney, Agent, or Firm—Robert F. Peck

[57] CLAIM

The ornamental design for a movie lamp or similar article, as shown.

DESCRIPTION

FIG. 1 is a left front perspective view of a movie lamp or similar article showing our new design; FIG. 2 is a front elevational view thereof; FIG. 3 is a right side elevational view thereof; FIG. 4 is a top plan view thereof; FIG. 5 is a bottom plan view thereof; FIG. 6 is a rear elevational view thereof.



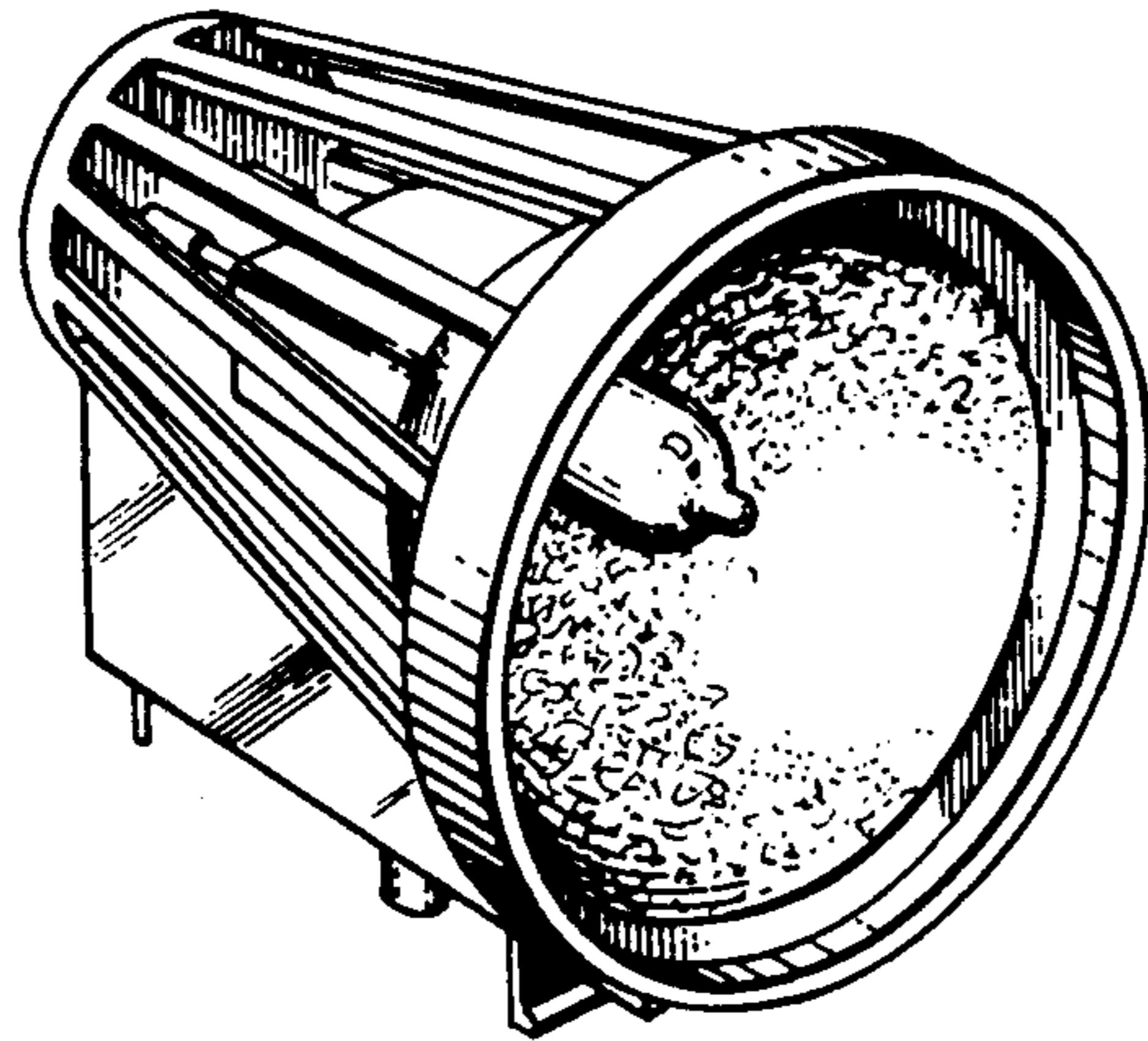


FIG. 1

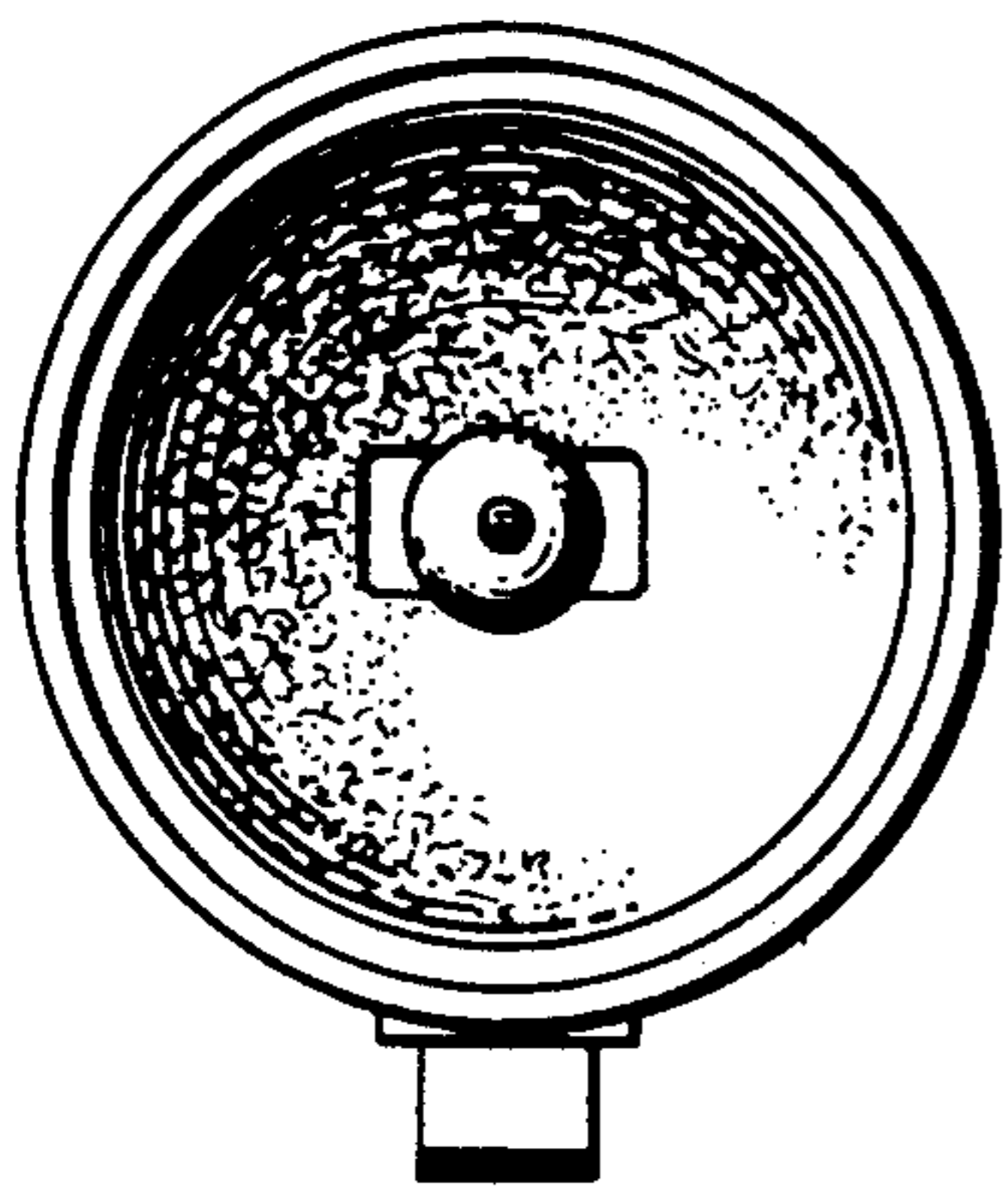


FIG. 2

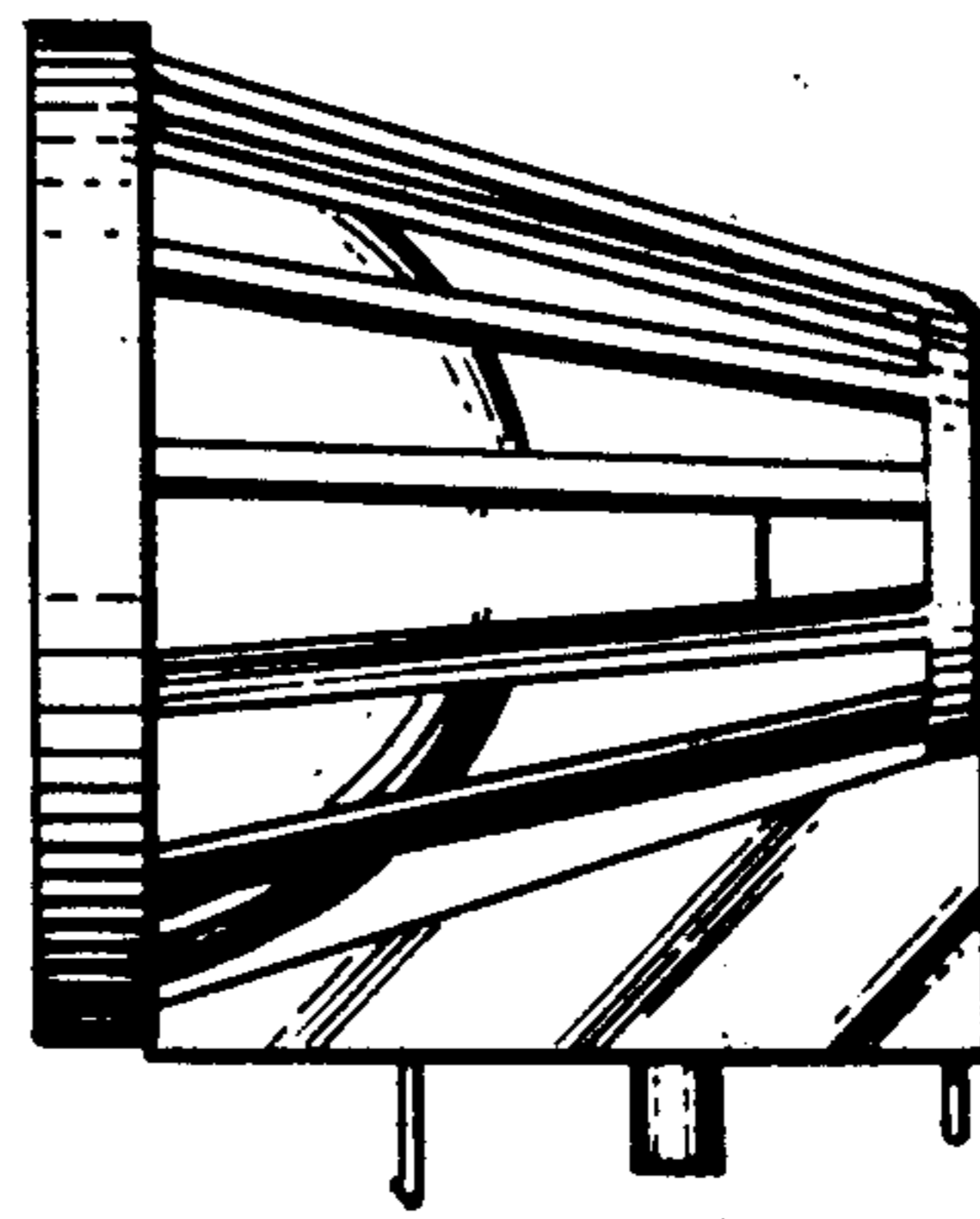
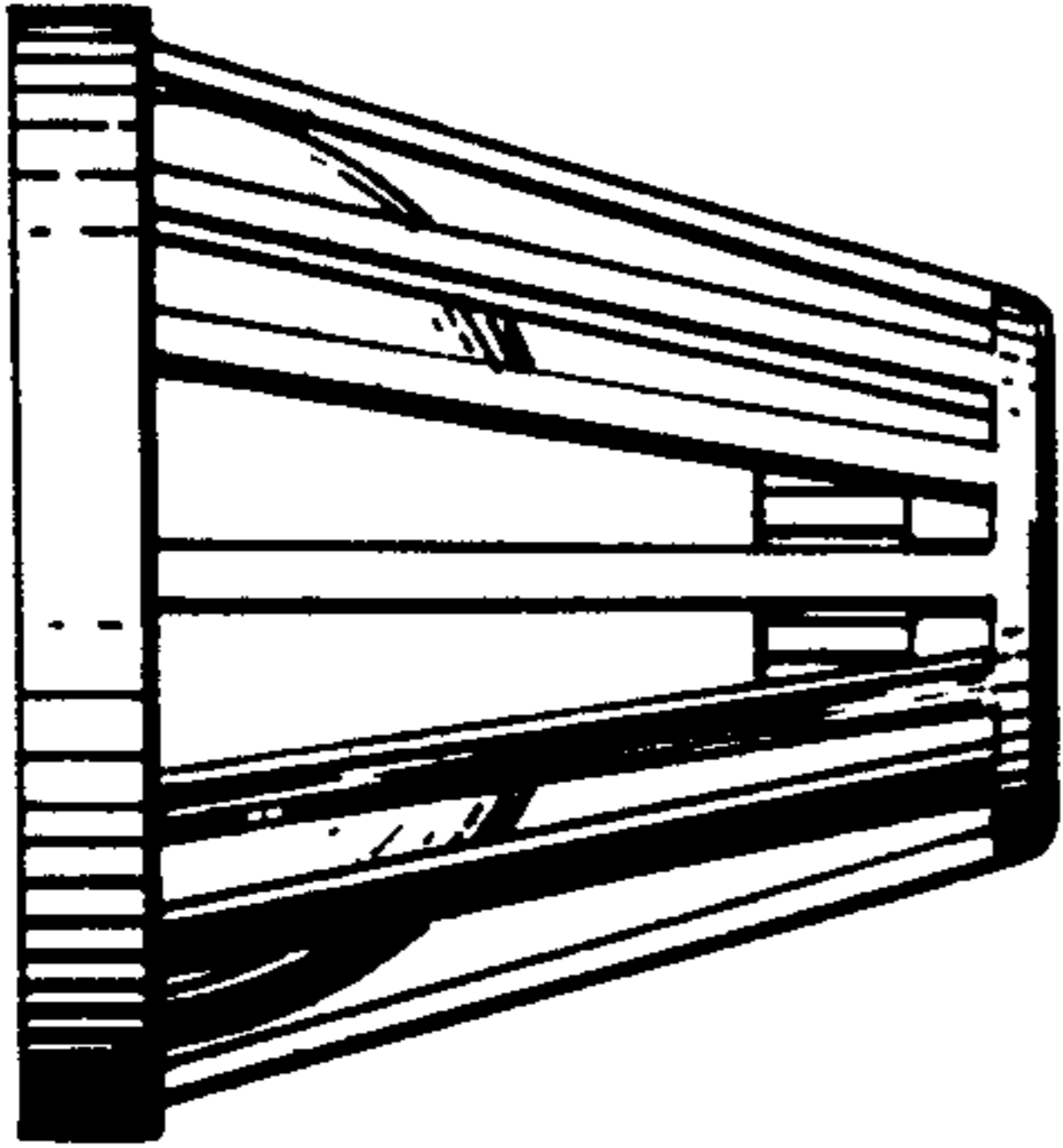
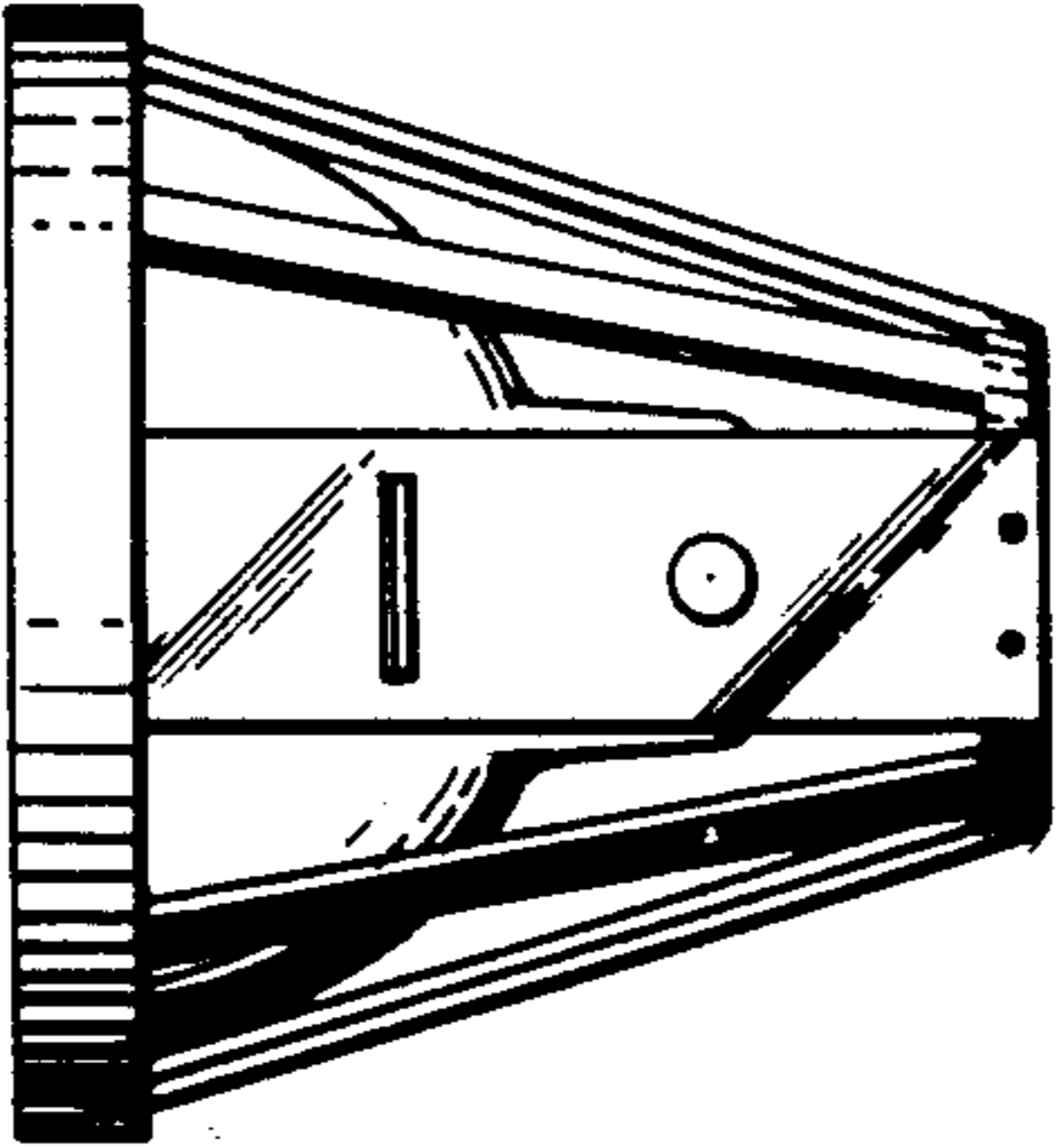


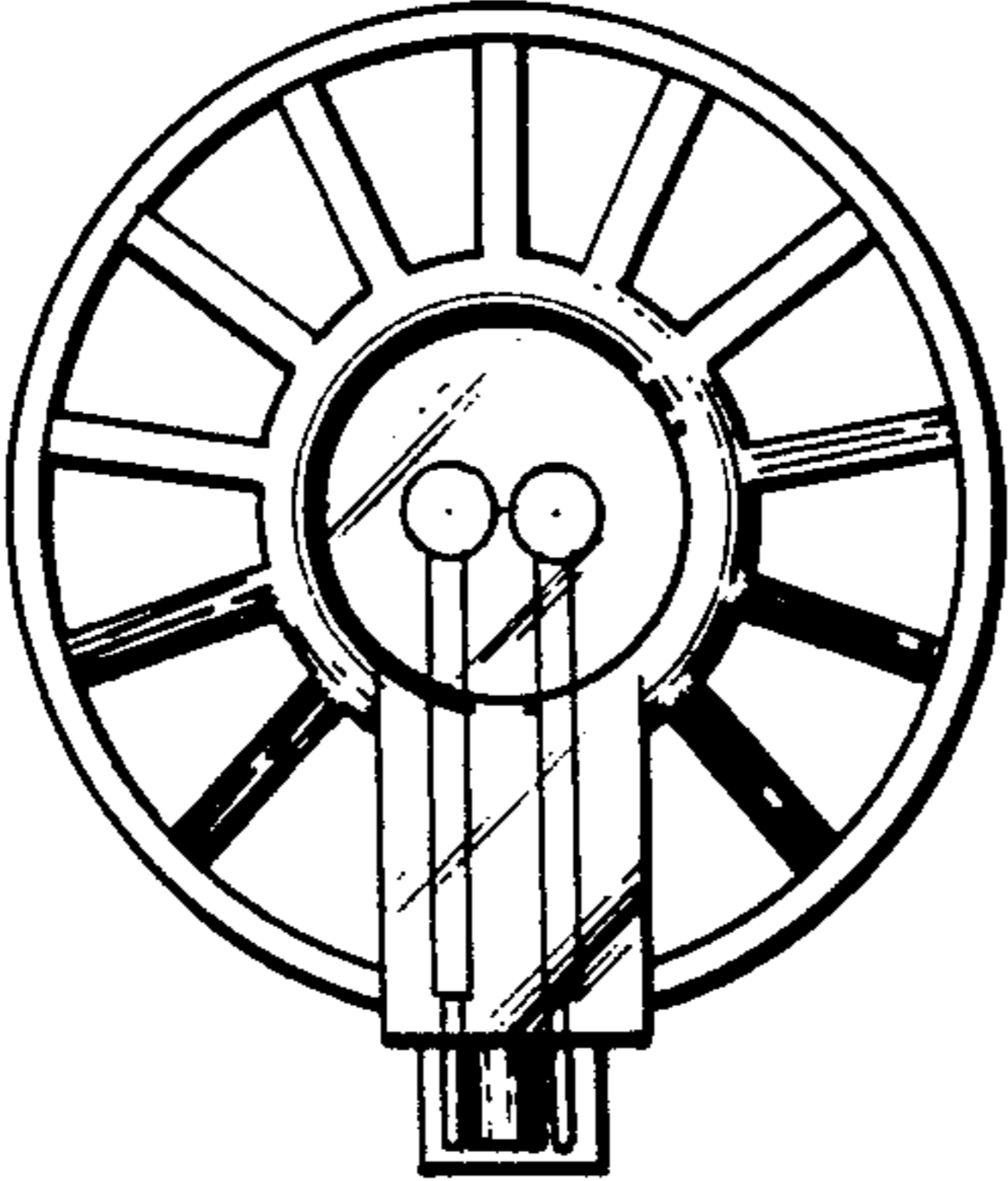
FIG. 3



**FIG. 4**



**FIG. 5**



**FIG. 6**