

[54] WHEELED TOY FIGURE

[75] Inventor: Masaru Ogihara, Tokyo, Japan  
[73] Assignee: Tomy Kogyo Co., Inc., Tokyo, Japan  
[\*\*] Term: 14 Years  
[21] Appl. No.: 817,384  
[22] Filed: Jul. 20, 1977

[51] Int. Cl. .... D21-01  
[52] U.S. Cl. .... D34/15 AD  
[58] Field of Search ..... D34/15 AD, 4 R; 46/103,  
46/104, 105

[56] References Cited

FOREIGN PATENT DOCUMENTS

740586 11/1955 United Kingdom ..... 46/105

OTHER PUBLICATIONS

Hongkong Toys 1976 Cat., p. 27, Fireman figure.  
Playthings, Mar., 1967, p. 175, "Heewee Fireman".  
Playthings, Mar., 1969, p. 110, "Tweakie-Toy", figures.

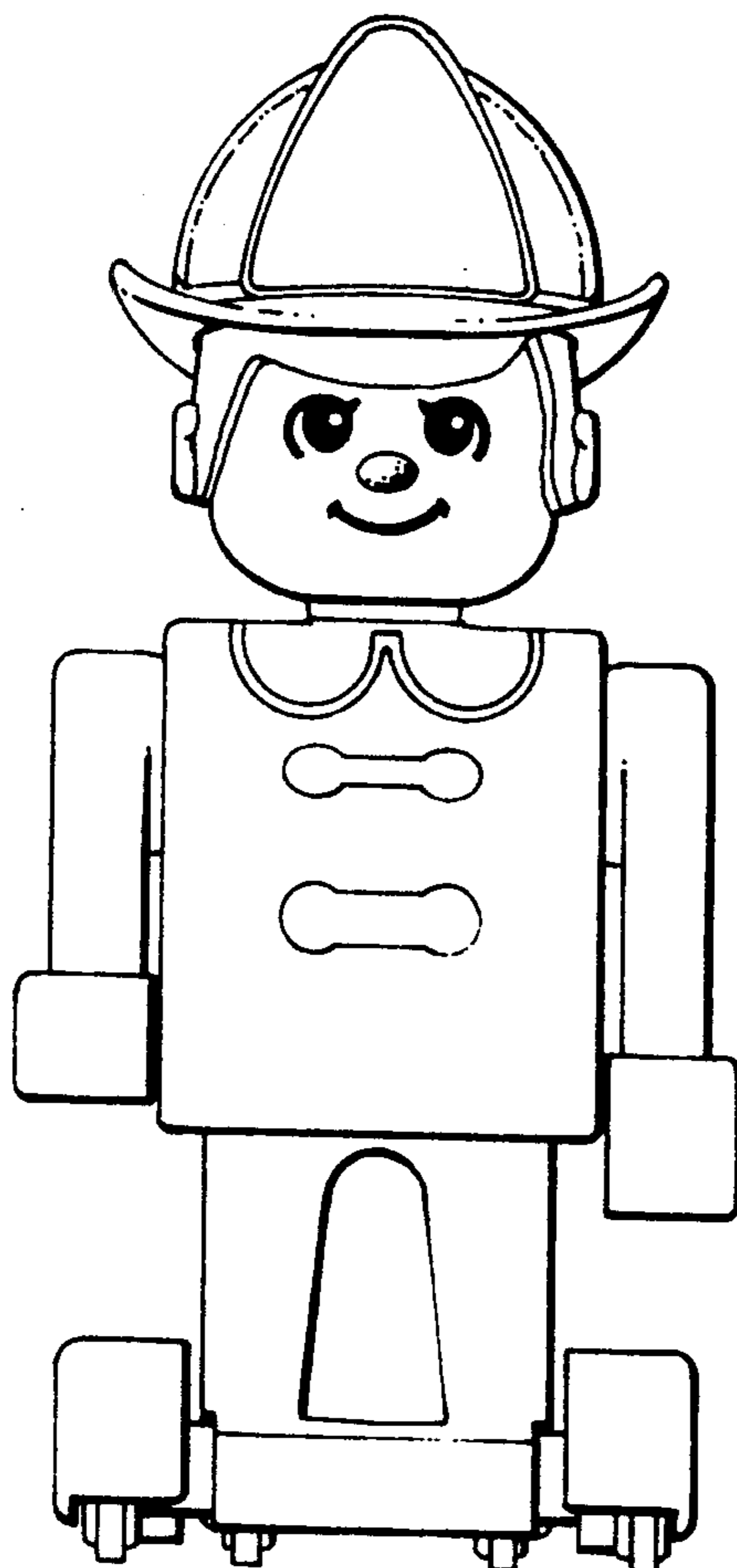
Primary Examiner—Melvin B. Feifer  
Attorney, Agent, or Firm—Edward D. O'Brian

[57] CLAIM

The ornamental design for a wheeled toy figure, substantially as shown and described.

DESCRIPTION

FIG. 1 is a front elevational view of a wheeled toy figure embodying my new design;  
FIG. 2 is a top plan view thereof;  
FIG. 3 is a bottom plan view thereof;  
FIG. 4 is a side elevational view of the left hand side thereof;  
FIG. 5 is a side elevational view of the right hand side thereof; and  
FIG. 6 is a rear elevational view thereof.



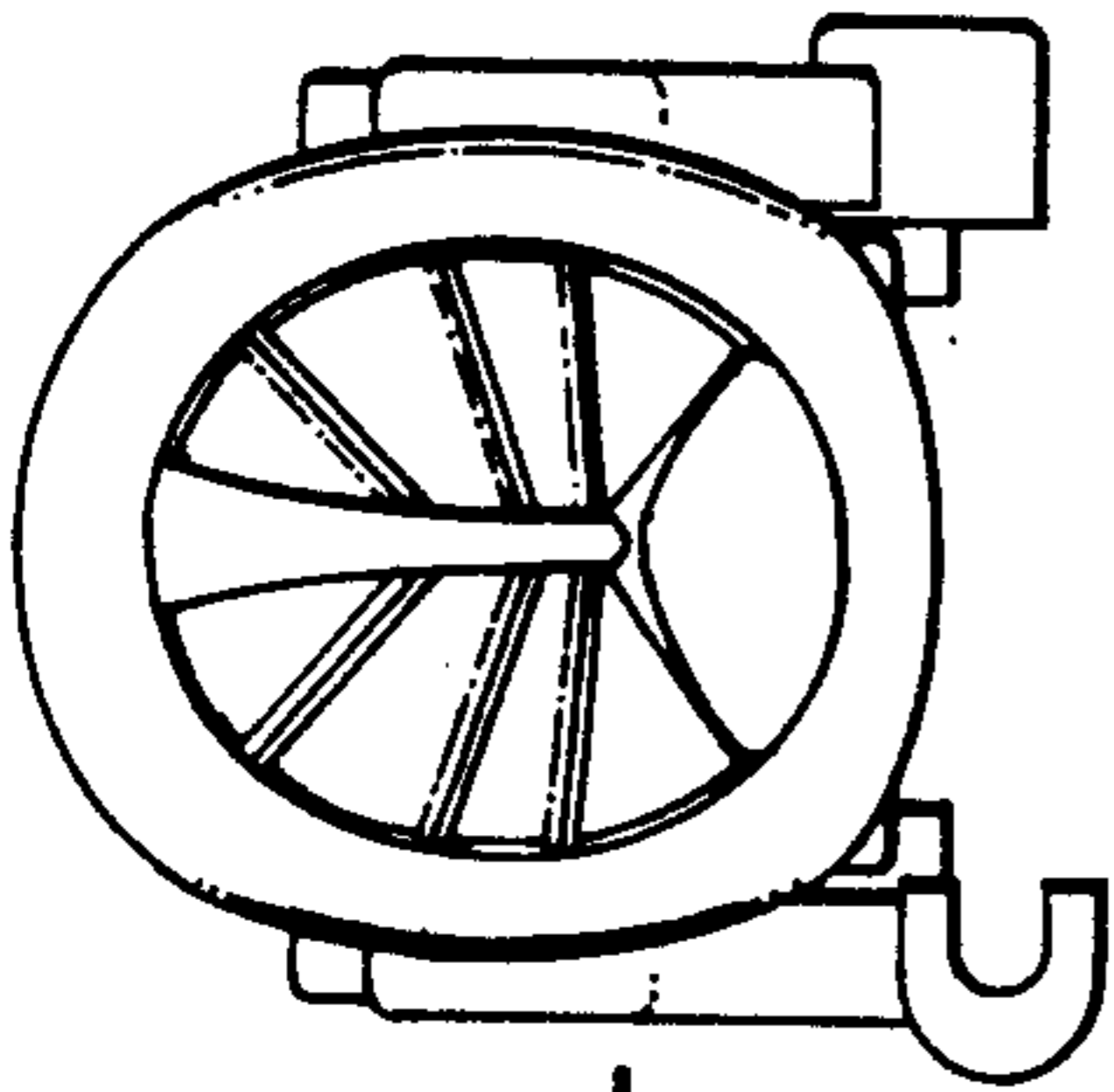


Fig. 2

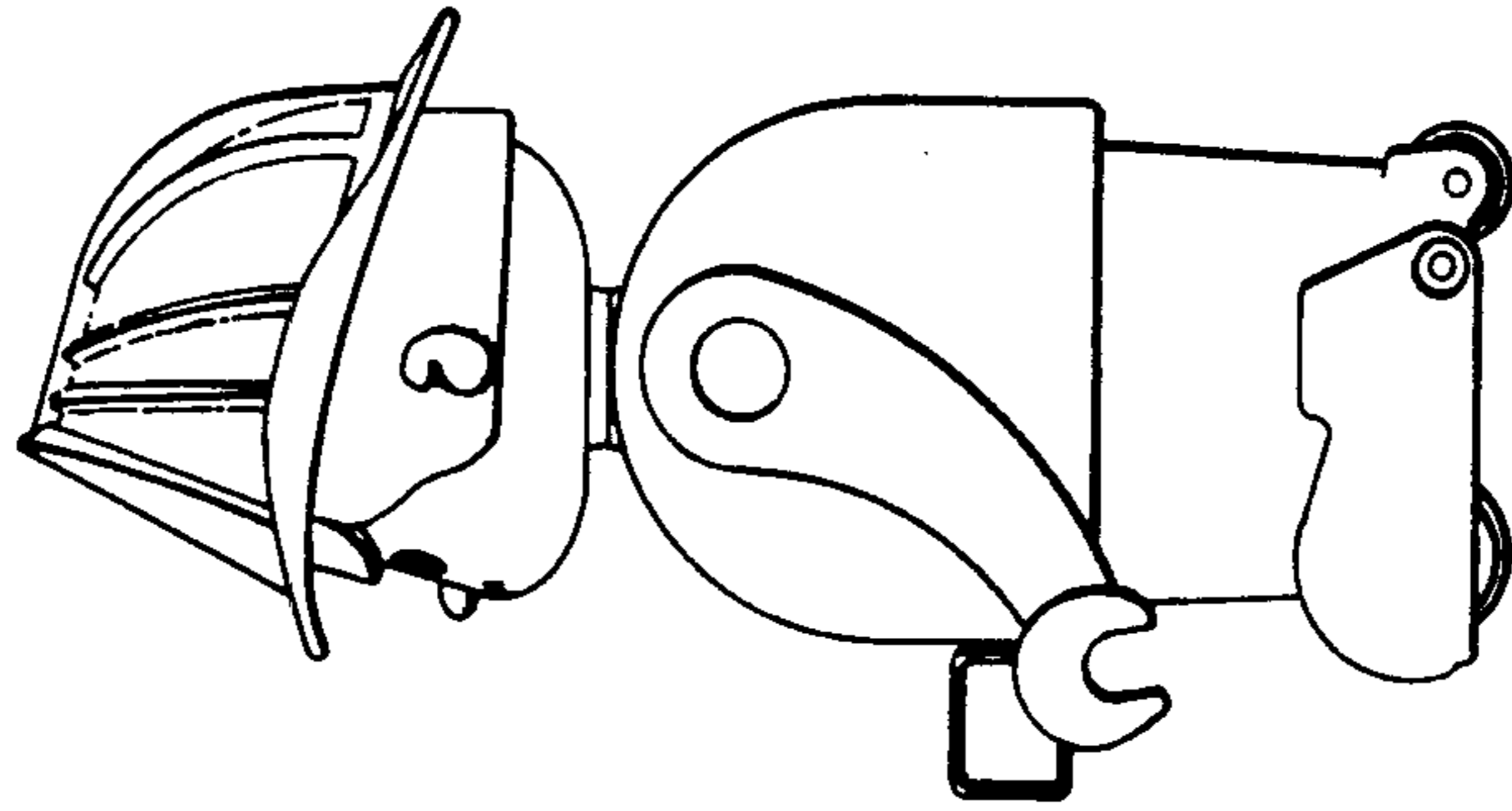


Fig. 4

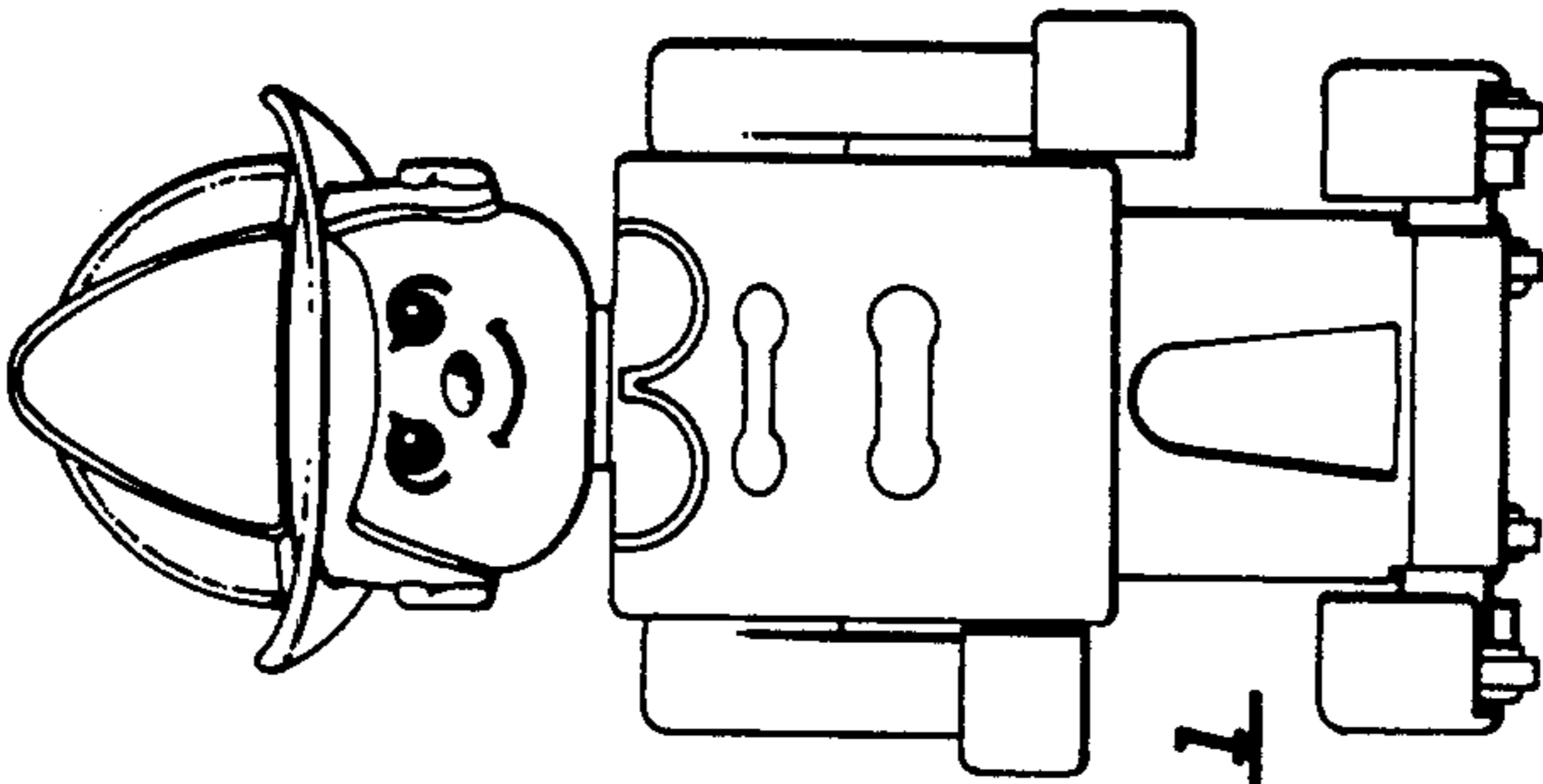


Fig. 1

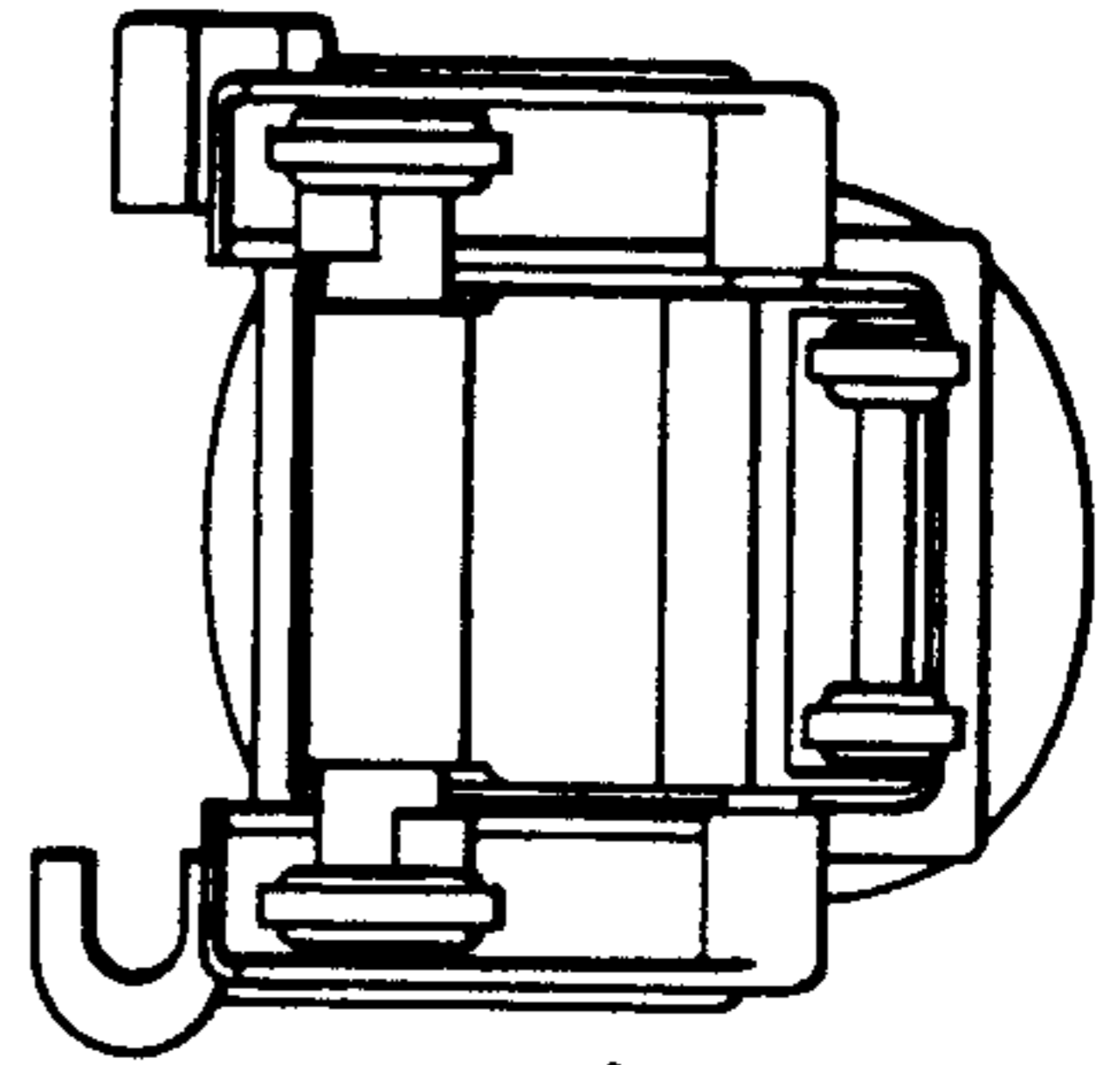


Fig. 3

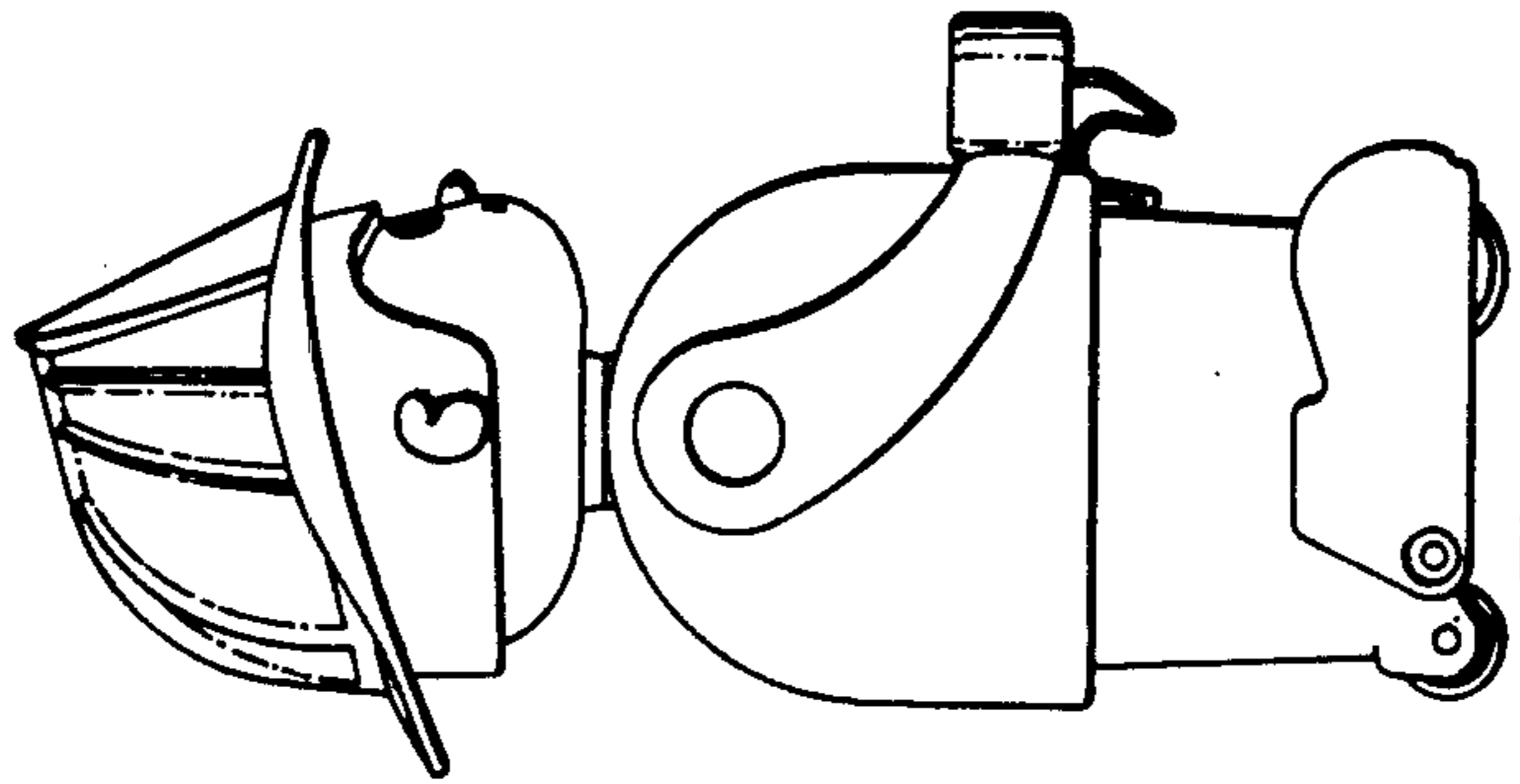


Fig. 5

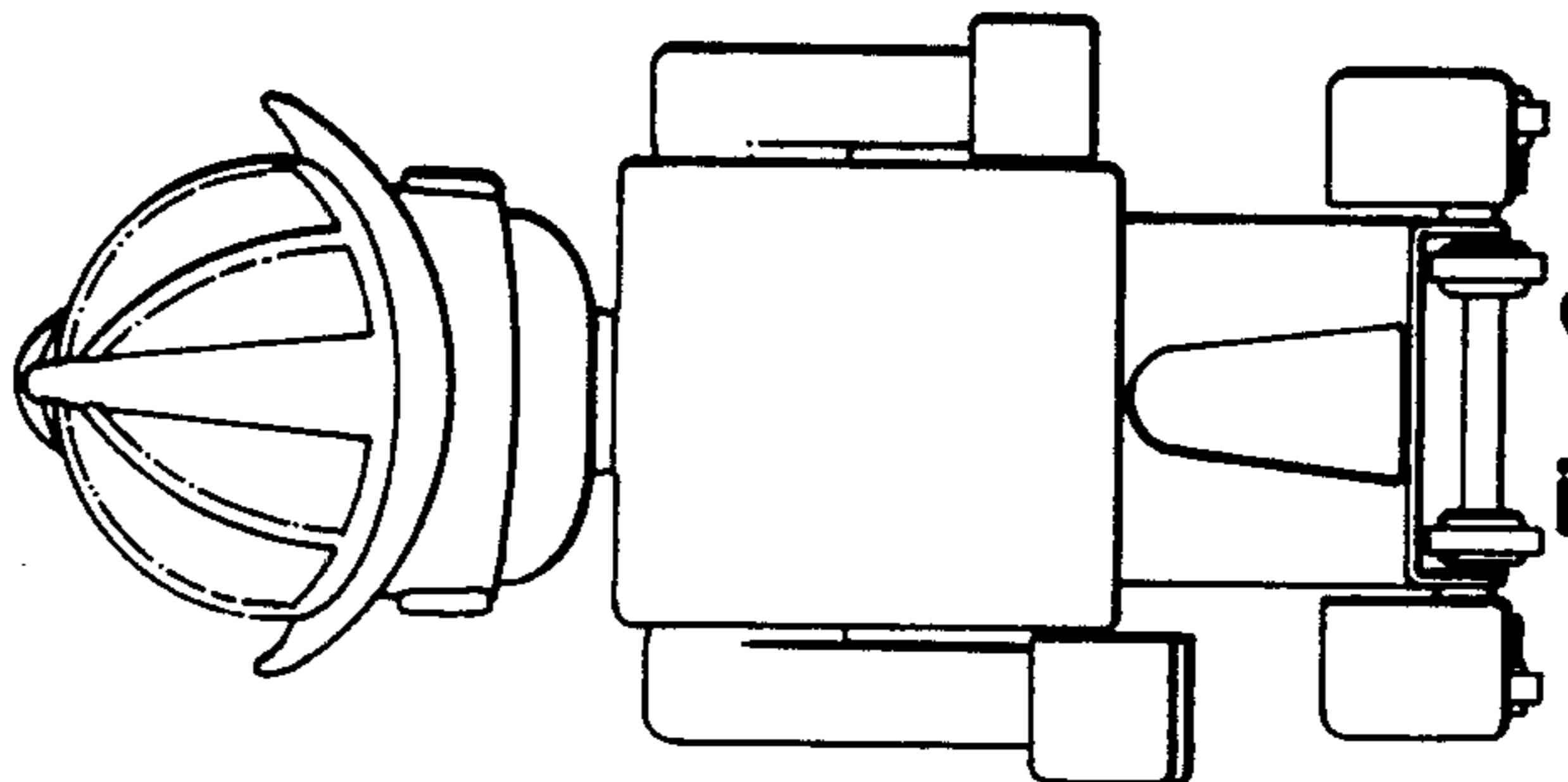


Fig. 6