

[54] TOY VEHICLE

[75] Inventor: William J. Maloney, II, East Aurora, N.Y.

[73] Assignee: The Quaker Oats Company, Chicago, Ill.

[**] Term: 14 Years

[21] Appl. No.: 742,857

[22] Filed: Nov. 18, 1976

[51] Int. Cl. D21-01

[52] U.S. Cl. D34/15 AJ

[58] Field of Search D34/15 AJ, 15 AM, 15 AN;
46/201, 202, 206, 210, 222; 280/1.1 R, 87.01 R

[56] References Cited

U.S. PATENT DOCUMENTS

D. 227,494	6/1973	Campbell et al.	D34/15 AJ
D. 234,091	1/1975	Krumholz et al.	D34/15 AJ
D. 238,798	2/1976	Goldfarb et al.	D34/15 AJ
D. 242,273	11/1976	Brass	D34/15 AJ

Primary Examiner—Joel Stearman
Assistant Examiner—C. A. Rademaker
Attorney, Agent, or Firm—George W. Shaw

[57] CLAIM

The ornamental design for a toy vehicle, substantially as shown and described.

DESCRIPTION

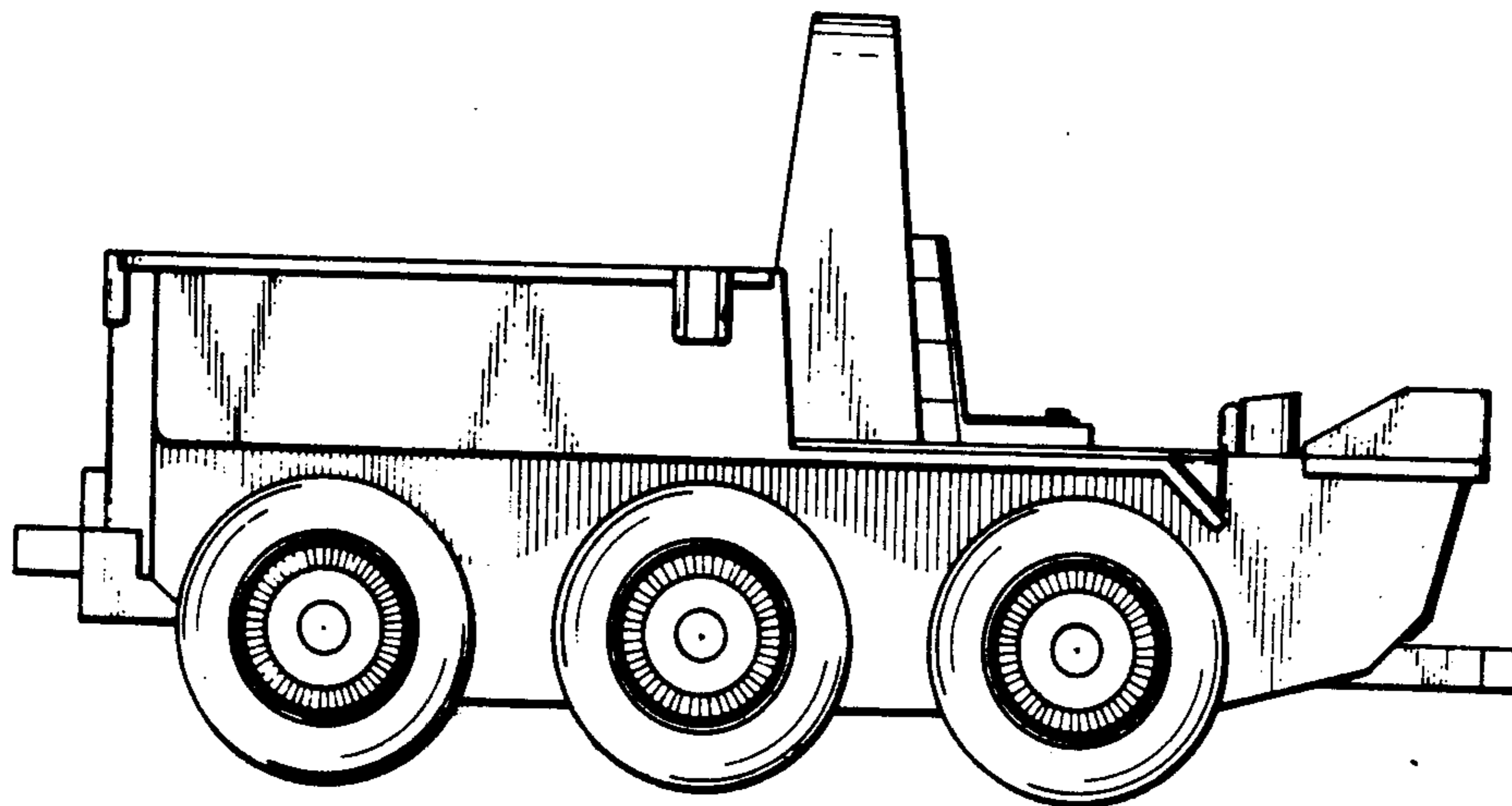
FIG. 1 is a right-side elevational view of a toy vehicle showing my new design the left-side being substantially a mirror image;

FIG. 2 is a top plan view thereof;

FIG. 3 is a front elevational view thereof;

FIG. 4 is a rear elevational view thereof; and

FIG. 5 is a bottom plan view thereof.



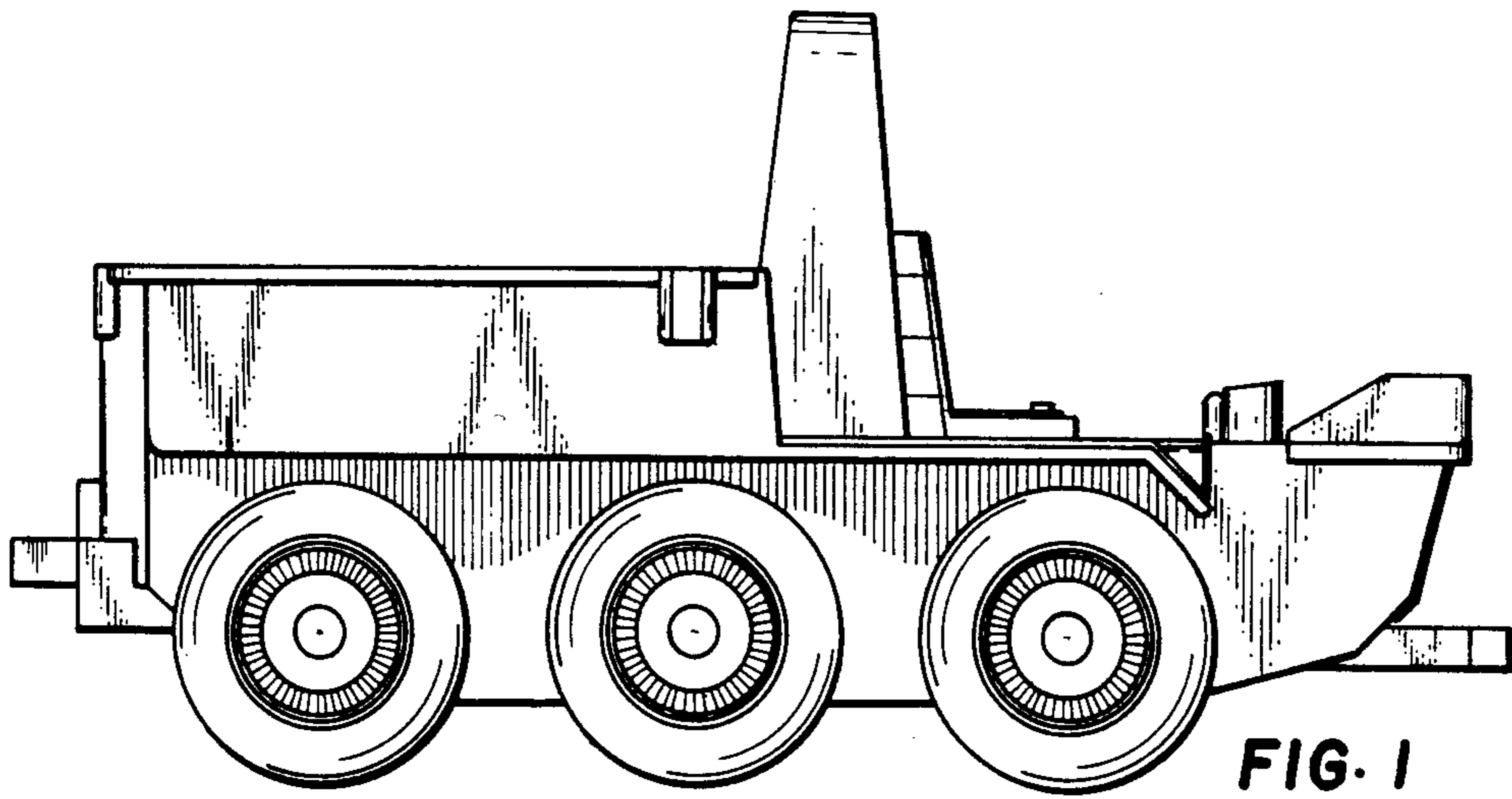


FIG. 1

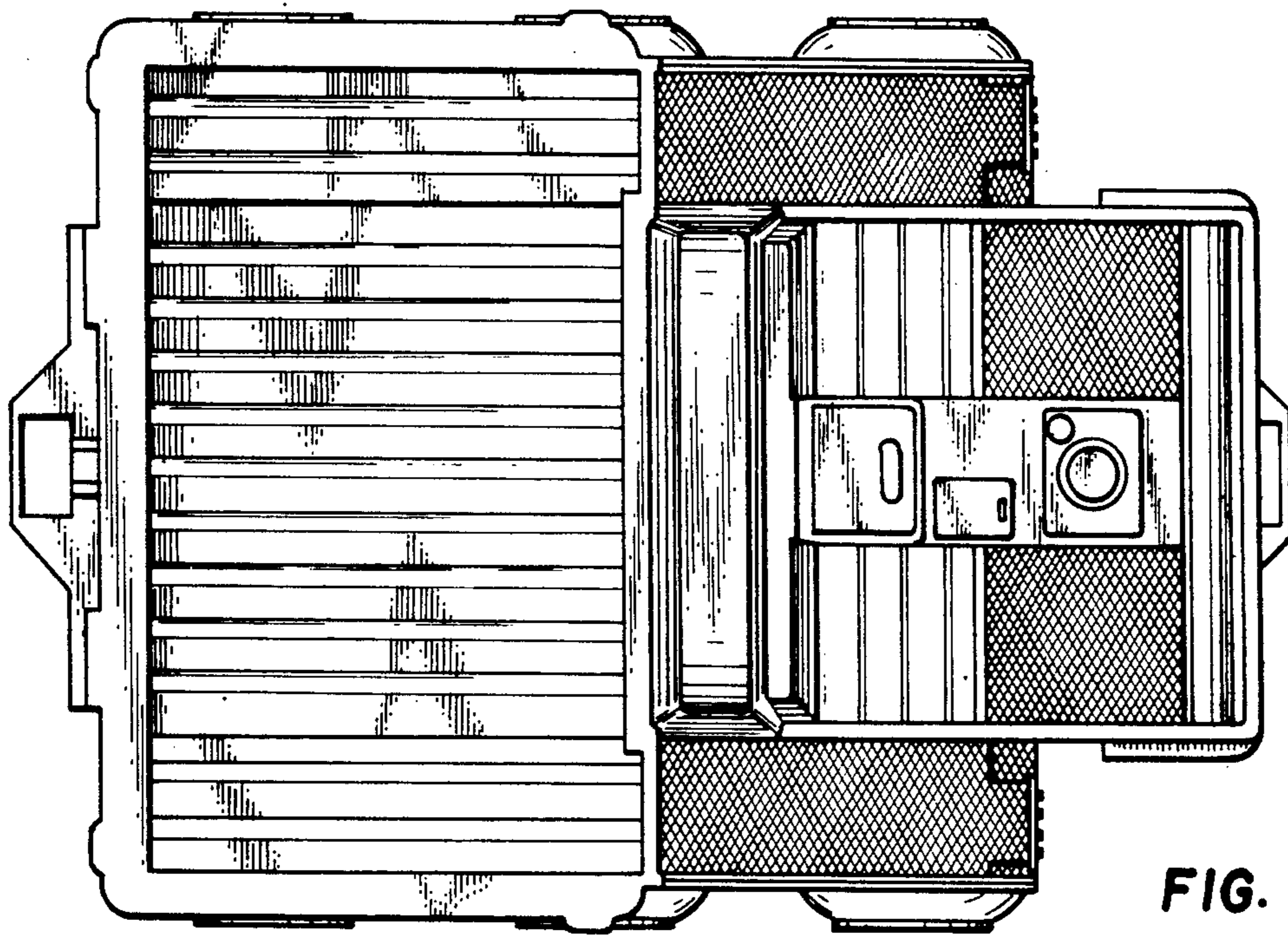


FIG. 2

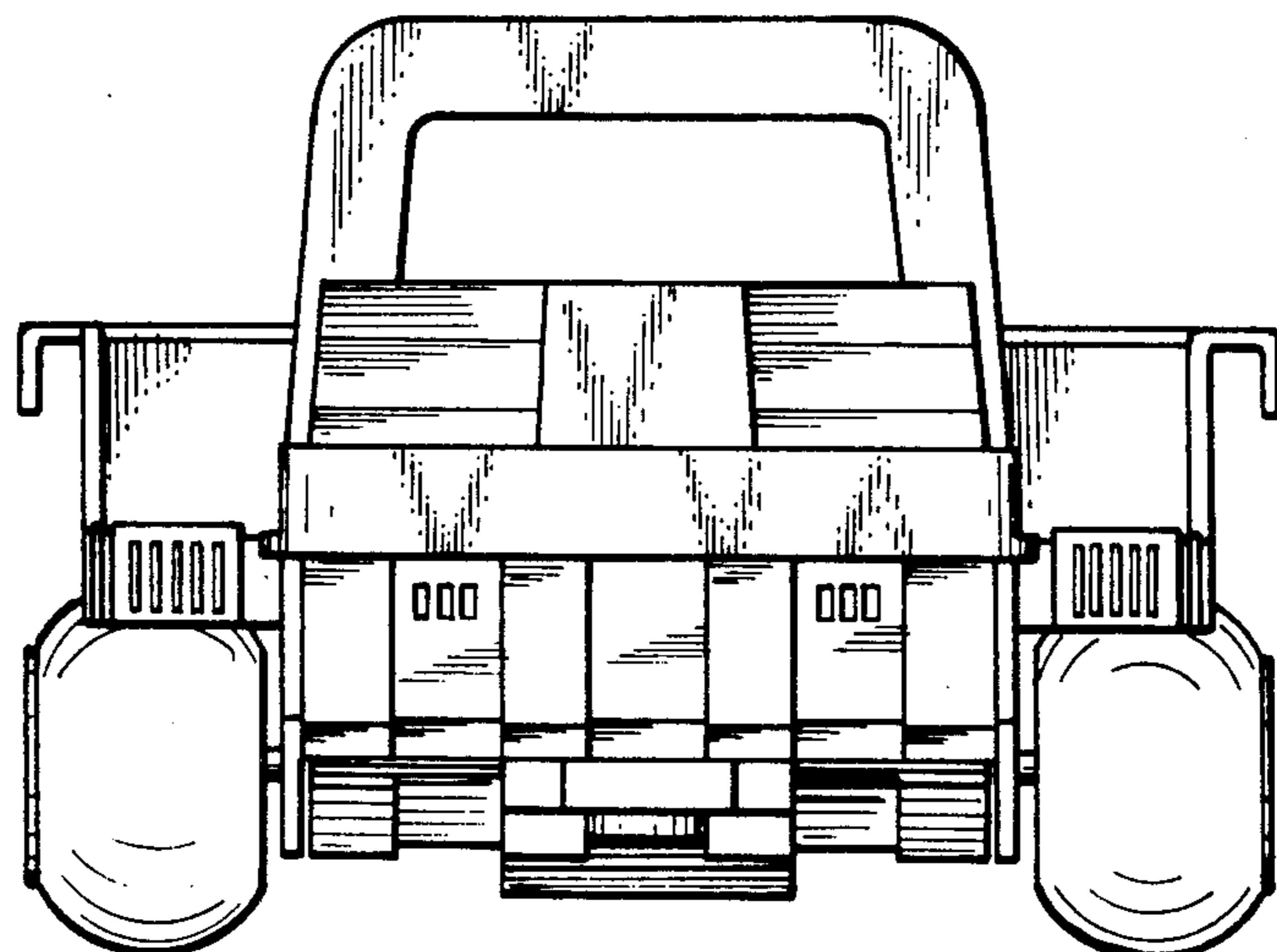


FIG. 3

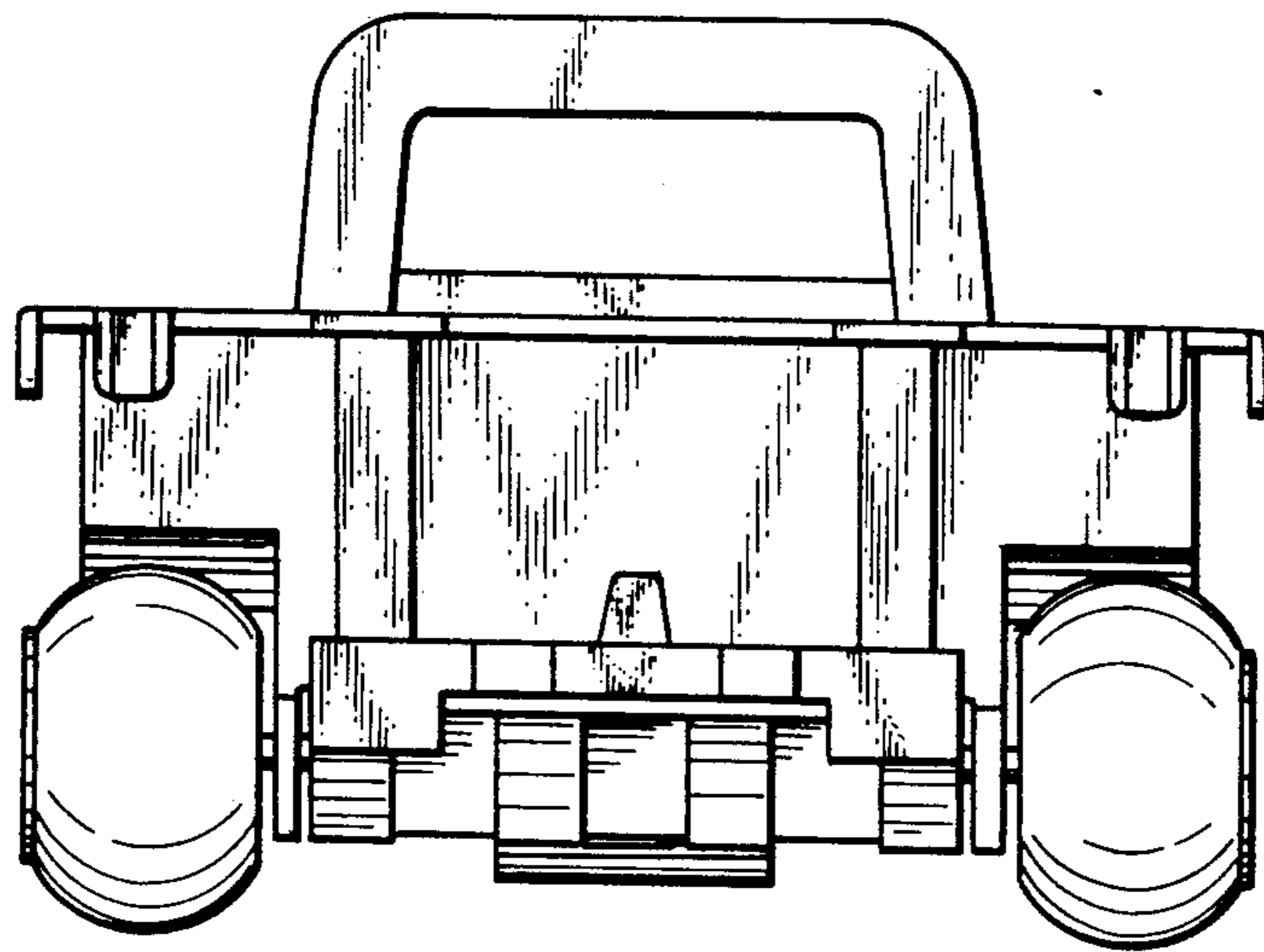


FIG. 4

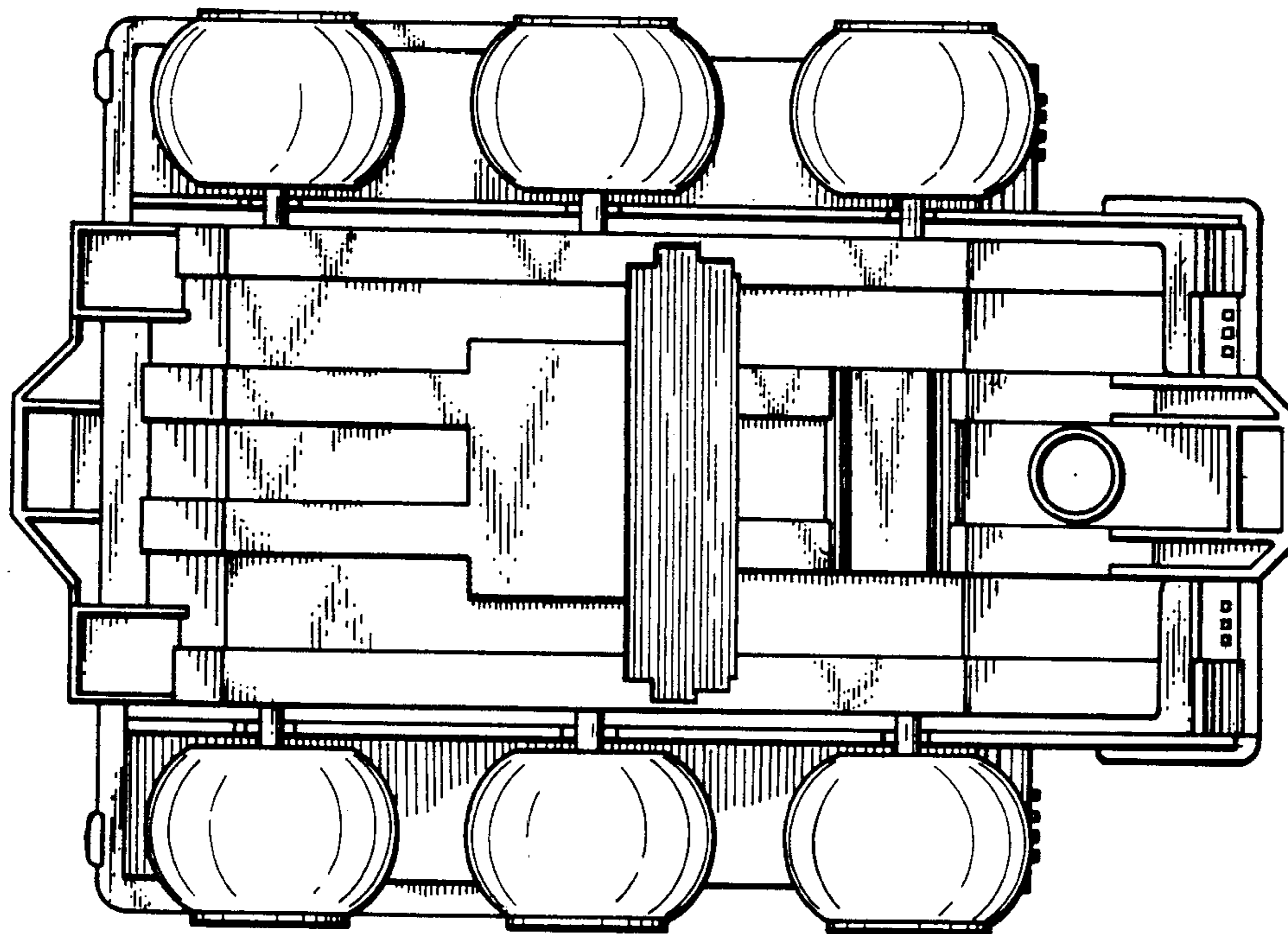


FIG. 5