

[54] WINDOW COMPONENT EXTRUSION OR SIMILAR ARTICLE

[75] Inventors: Joseph C. Bancroft; Peter R. Hallin, both of McComb, Miss.

[73] Assignee: Croft Metals, Inc., McComb, Miss.

[**] Term: 14 Years

[21] Appl. No.: 798,707

[22] Filed: May 19, 1977

[51] Int. Cl. D25-01

[52] U.S. Cl. D25/74

[58] Field of Search D25/74, 75, 76, 79; 403/169, 231, 263, 401, 402; 404/33, 64, 65, 69; 52/309, 312, 400, 656, 716, 718, 721, 732, 735, 737, 758; 160/90

[56] References Cited

U.S. PATENT DOCUMENTS

D. 174,156	3/1955	Blanchard	D25/74
D. 191,906	12/1961	Jaffa	D25/74 X
D. 208,533	9/1969	Anderson	D25/74 X
3,727,664	4/1973	Mennuto	160/90
3,861,444	1/1975	Portwood	160/90

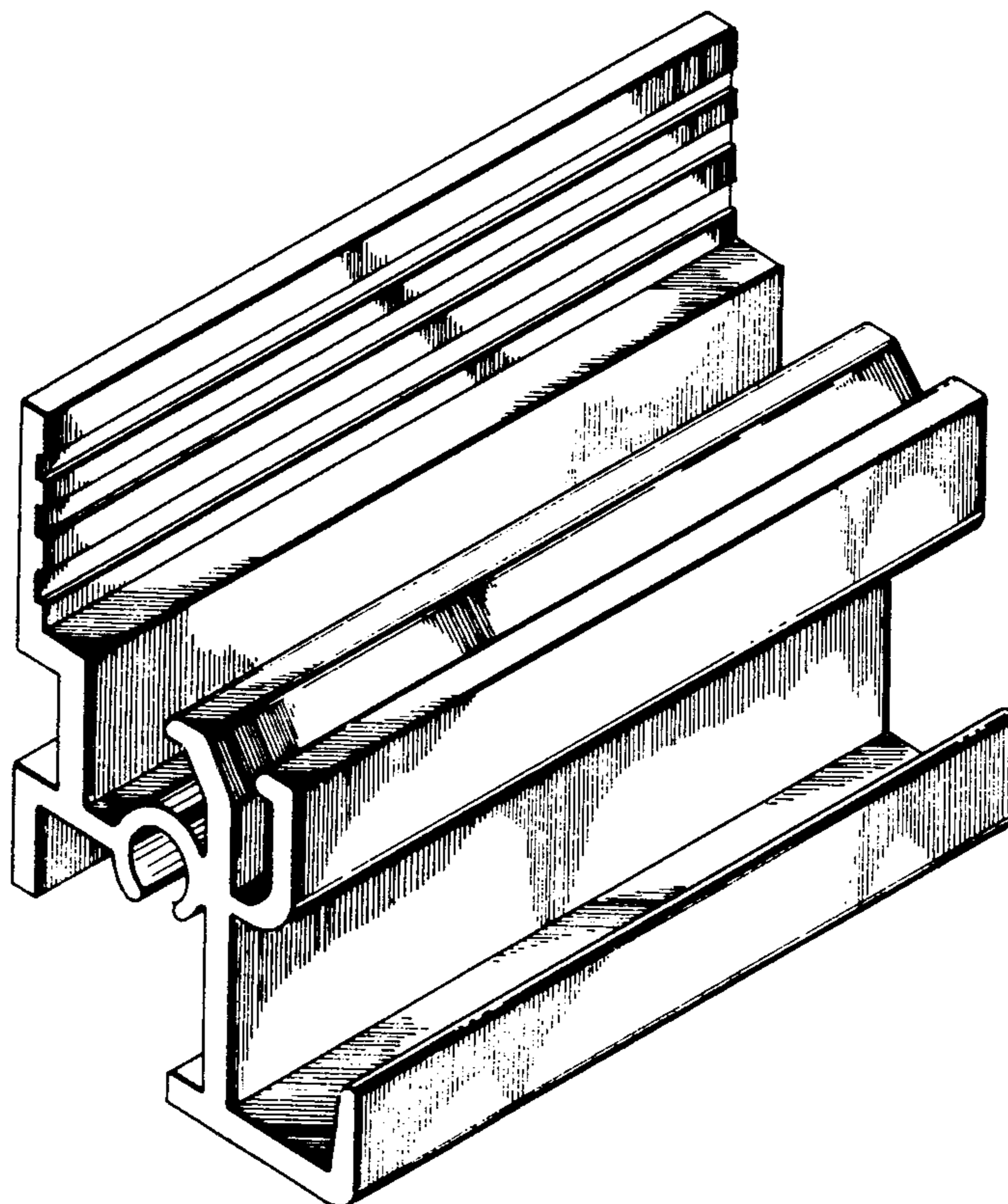
Primary Examiner—A. Hugo Word
Attorney, Agent, or Firm—Thomas B. Van Poole

[57] CLAIM

The ornamental design for a window component extrusion or similar article, substantially as shown and described.

DESCRIPTION

FIG. 1 is a front perspective top view of a window component extrusion of indeterminate length comprising our new design; FIG. 2 is a rear perspective bottom view of the window component extrusion; and FIG. 3 is an end elevation of the window component extrusion.



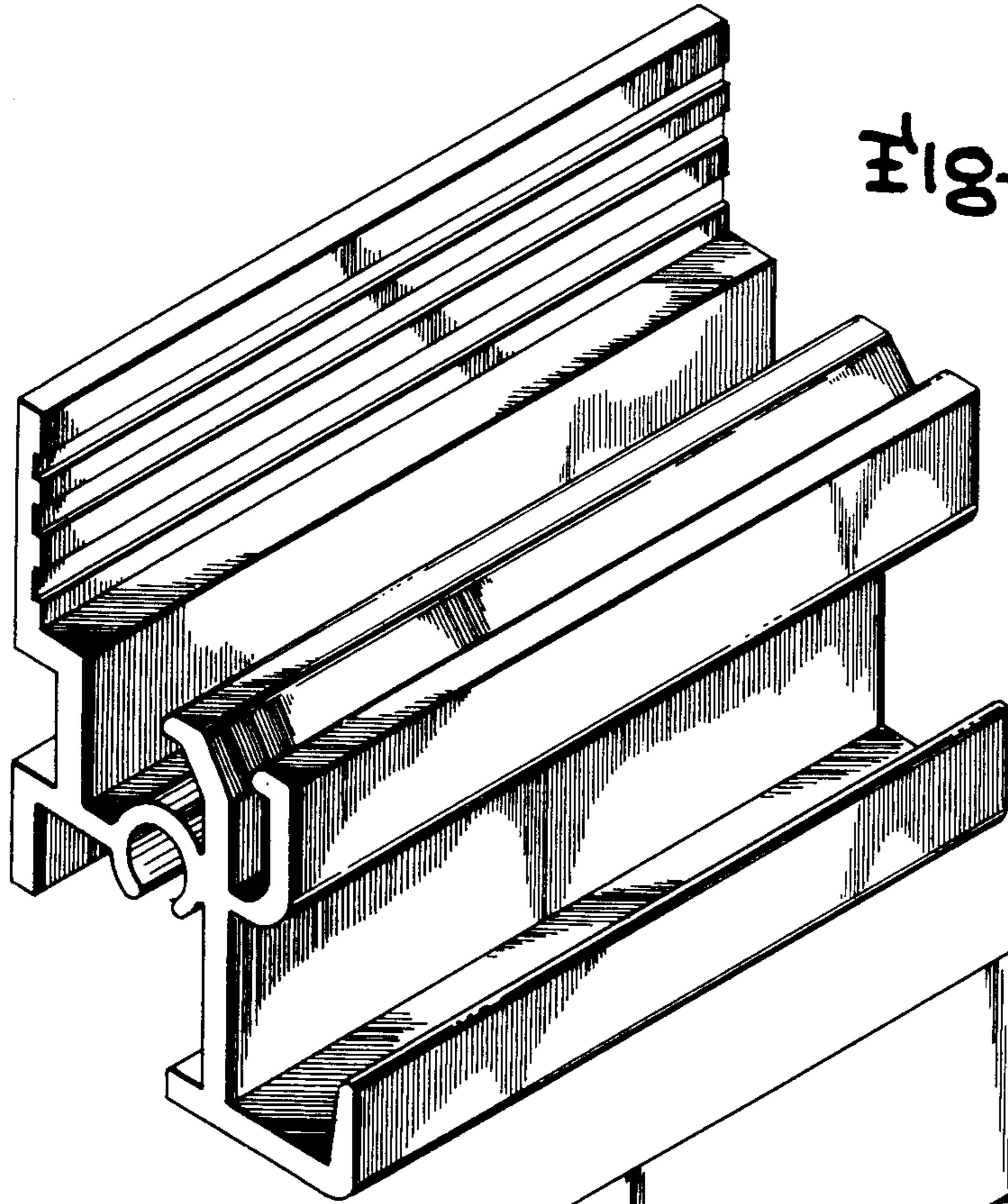


Fig-1

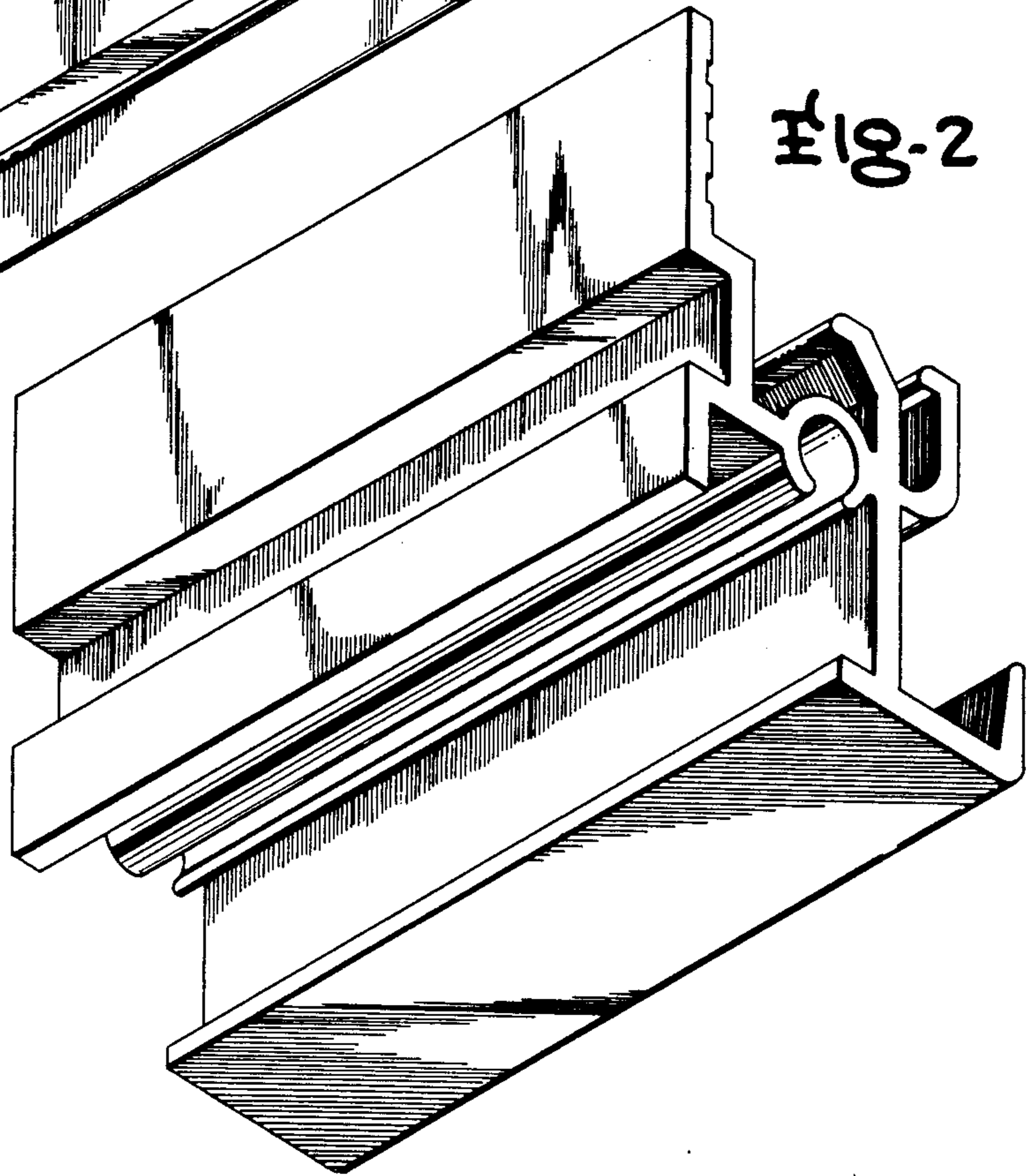


Fig-2

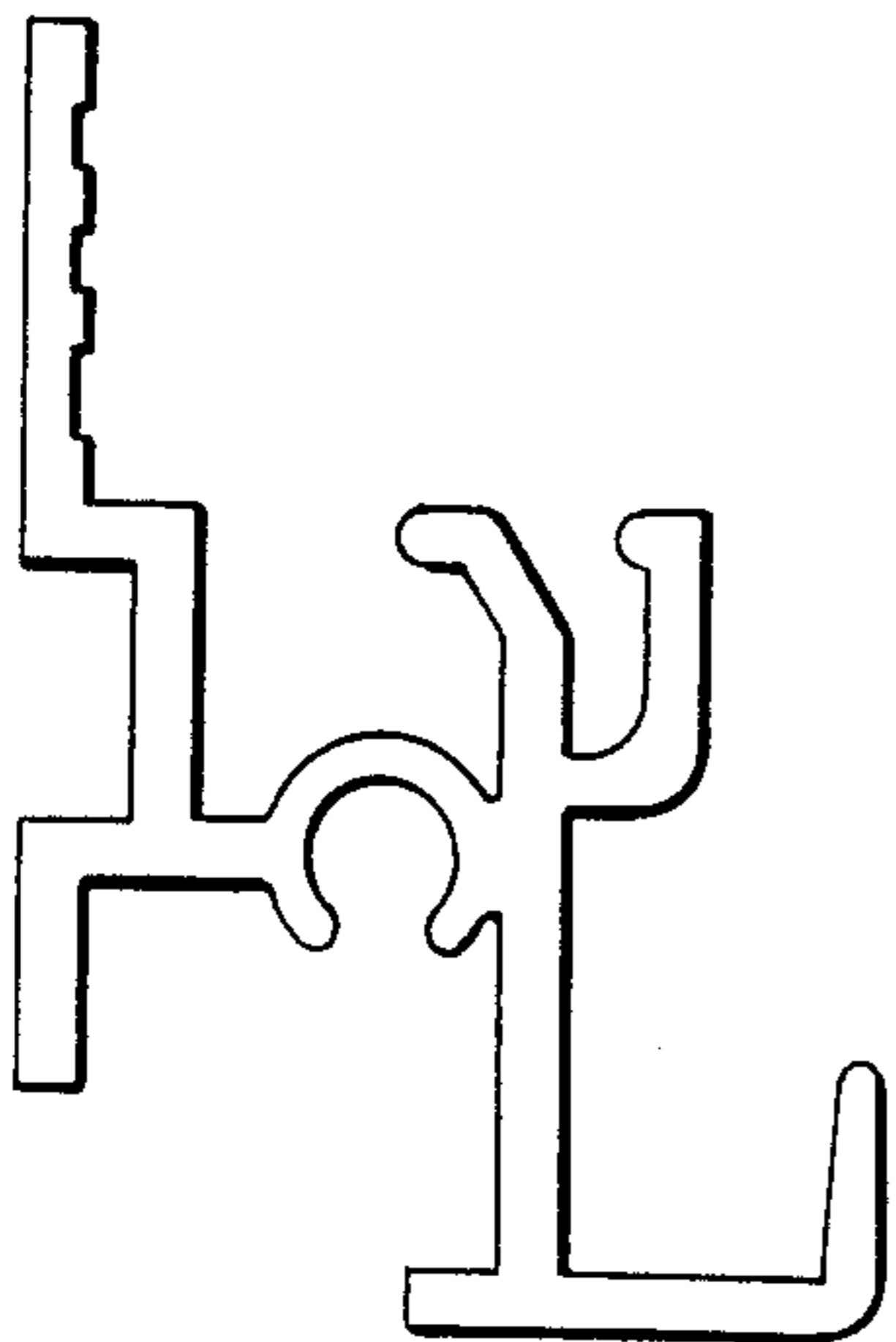


Fig-3