

[54] **FIREPLACE**

[76] **Inventor:** **Wendell B. Jones**, Rte. #1, Gary La.,
Boise, Id. 83702

[**] **Term:** **14 Years**

[21] **Appl. No.:** **763,872**

[22] **Filed:** **Jan. 31, 1977**

[51] **Int. Cl.** **D23—03**
[52] **U.S. Cl.** **D23/97**
[58] **Field of Search** **D23/72, 86, 89, 92,**
D23/93, 94, 97, 105, 107, 108, 127, 128;
D7/112, 113, 114; 126/4, 6, 58, 59, 60, 62, 65,
120, 121, 123, 126, 138, 190, 200, 211, 217

[56] **References Cited**

U.S. PATENT DOCUMENTS

D. 242,353 11/1976 Schrader D23/72
D. 245,624 8/1977 McIntire D23/105

Primary Examiner—Wallace R. Burke
Assistant Examiner—Catherine Kemper
Attorney, Agent, or Firm—Paul F. Horton

[57] **CLAIM**

The ornamental design for a fireplace, as shown and described.

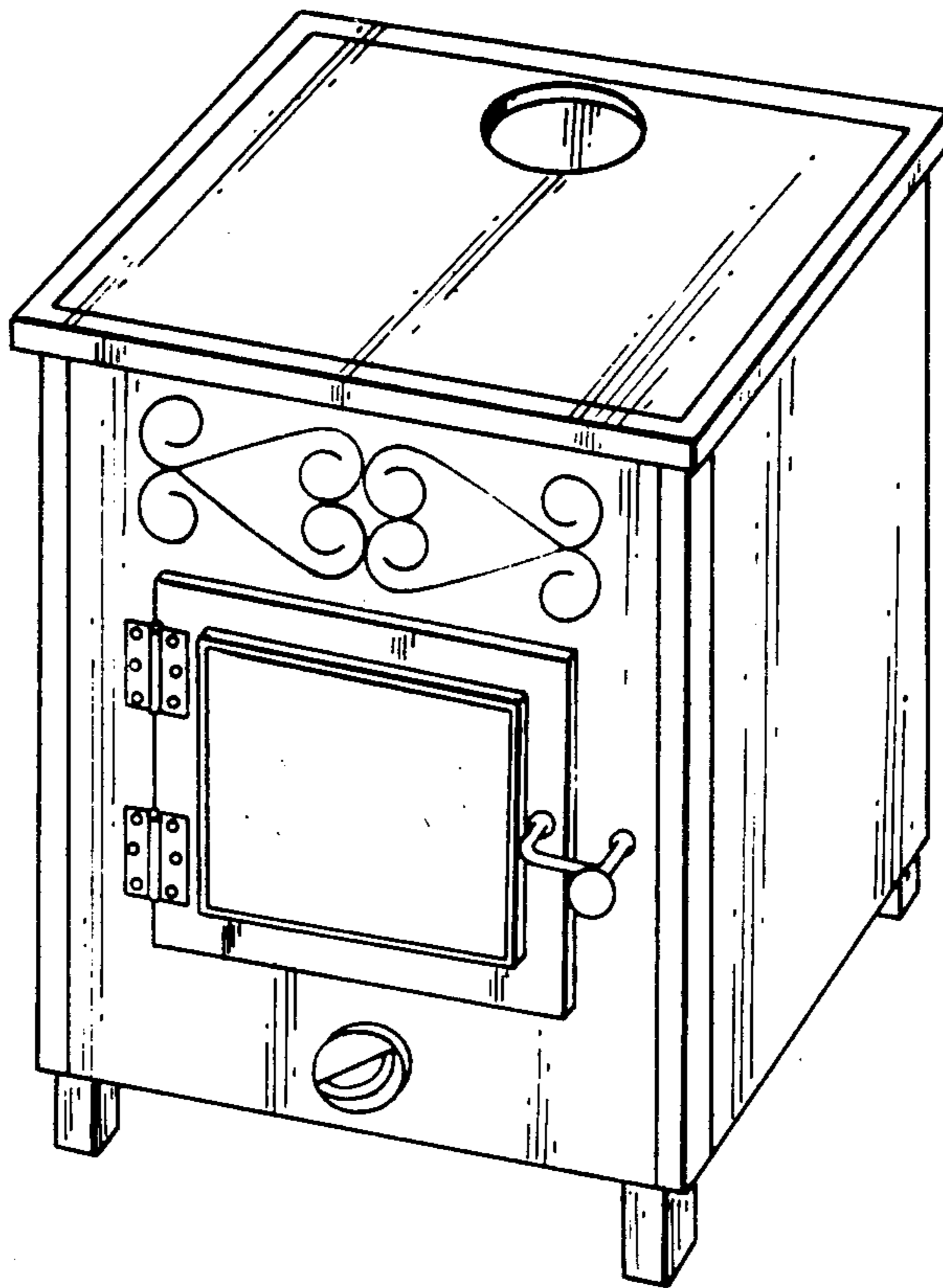
DESCRIPTION

FIG. 1 is a perspective view of a fireplace showing my new design.

FIG. 2 is a front elevational view thereof.

FIG. 3 is a side elevational view, the opposite side being a mirror image thereof.

The rear surface of the fireplace is substantially planar and unornamented.



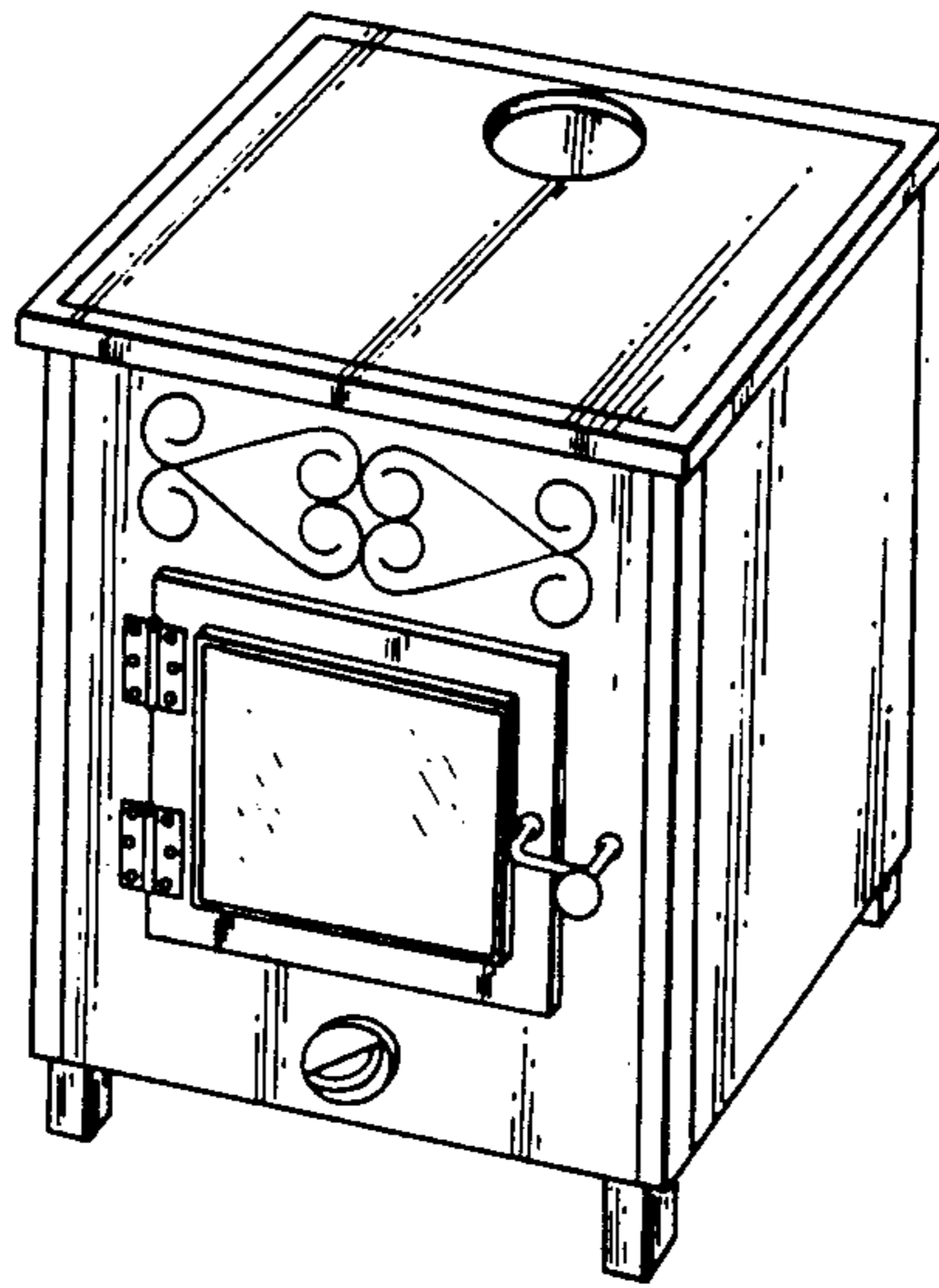


FIG. 1

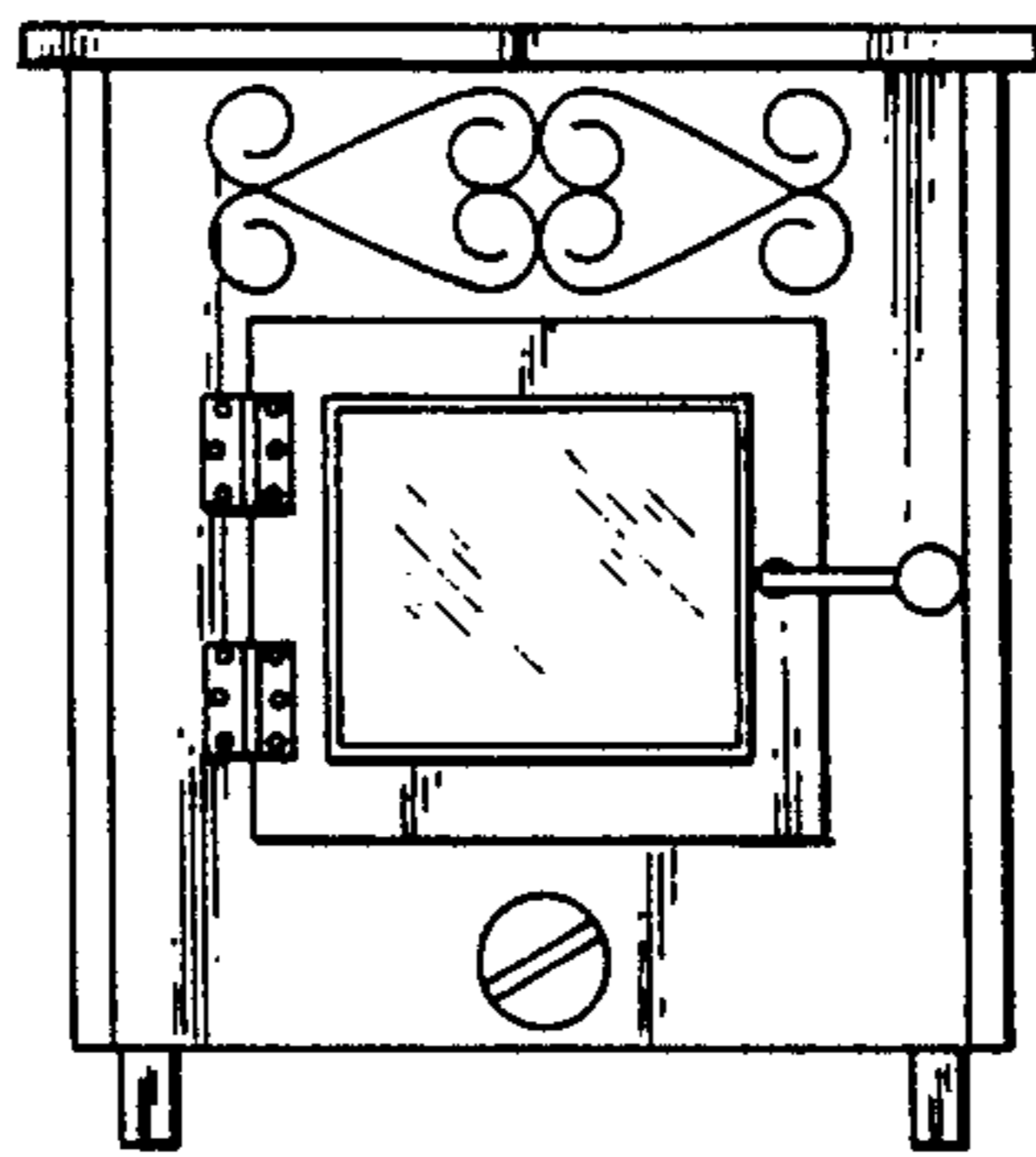


FIG. 2

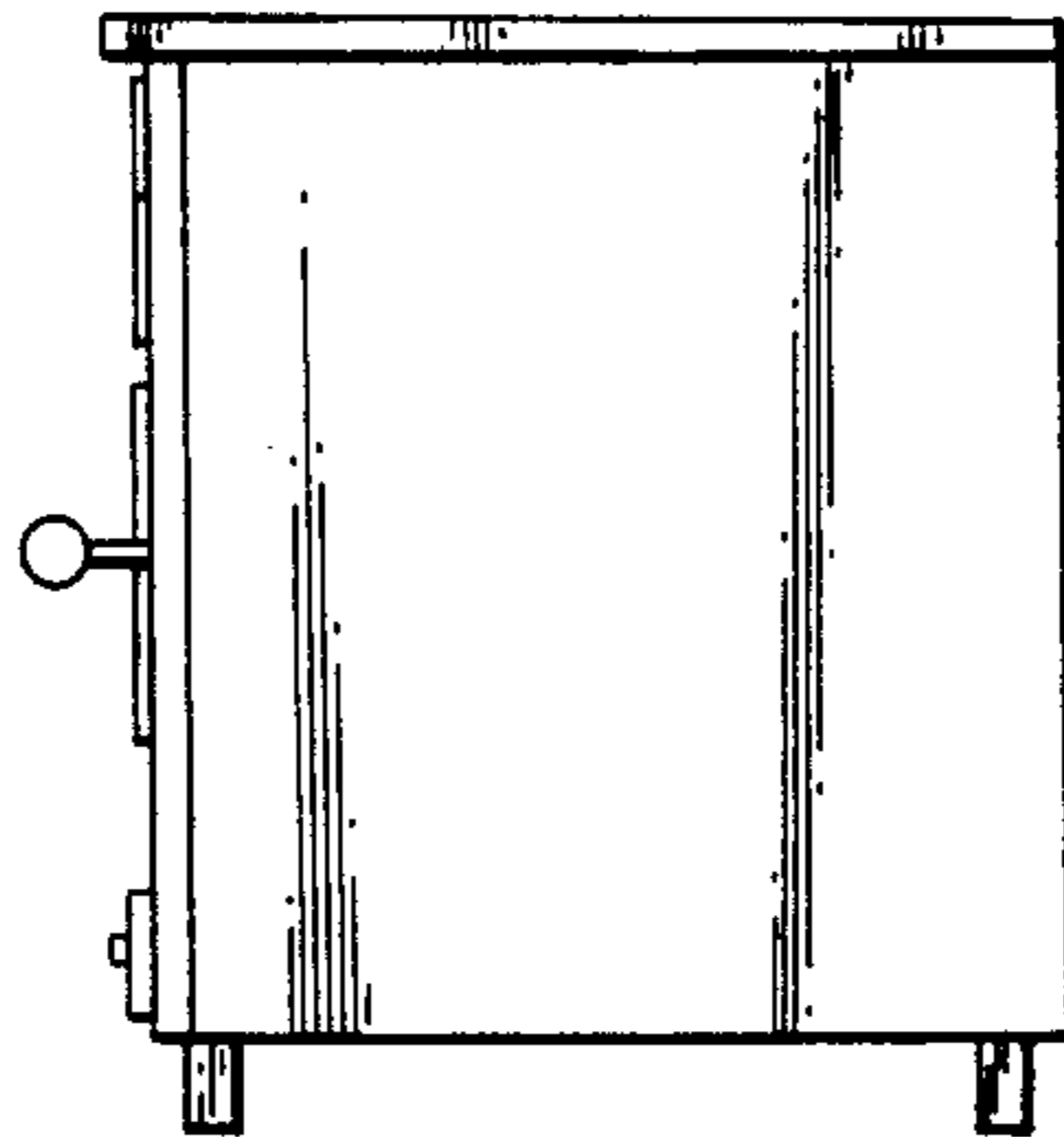


FIG. 3