

[54] CARTRIDGE FOR STRIP MATERIAL

[75] Inventors: Paul E. DuFresne, Richfield; Wayne R. Verkins, St. Anthony, both of Minn.

[73] Assignee: Minnesota Mining and Manufacturing Company

[**] Term: 14 Years

[21] Appl. No.: 816,139

[22] Filed: Jul. 15, 1977

[51] Int. Cl. D19-02

[52] U.S. Cl. D19/67

[58] Field of Search D19/67-69; 225/6, 19; D10/72

[56]

References Cited

U.S. PATENT DOCUMENTS

D. 178,713	9/1956	Williams et al.	D19/69
D. 179,091	10/1956	Pangburn	D19/69
D. 180,527	6/1957	Polster	D19/69
3,099,414	7/1963	Kulka	D19/67

Primary Examiner—Joel Stearman
Assistant Examiner—George P. Word
Attorney, Agent, or Firm—Cruzan Alexander

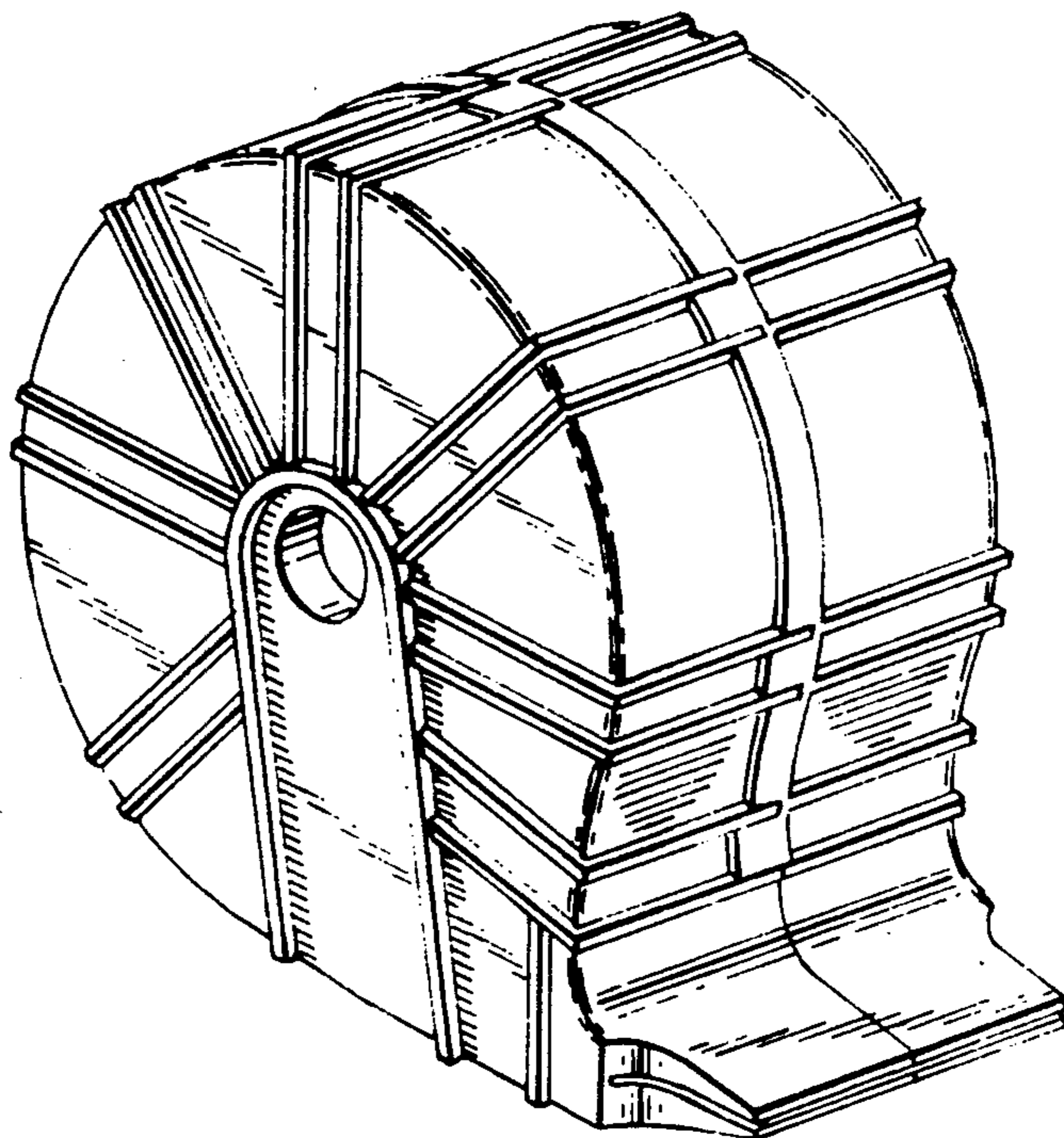
[57]

CLAIM

The ornamental design for a cartridge for strip material, as shown.

DESCRIPTION

FIG. 1 is a perspective view of a cartridge for strip material showing our new design; FIG. 2 is a front elevational view thereof; FIG. 3 is a right side elevational view thereof; FIG. 4 is a rear elevational view thereof; FIG. 5 is a top plan view thereof; and FIG. 6 is a bottom plan view thereof.



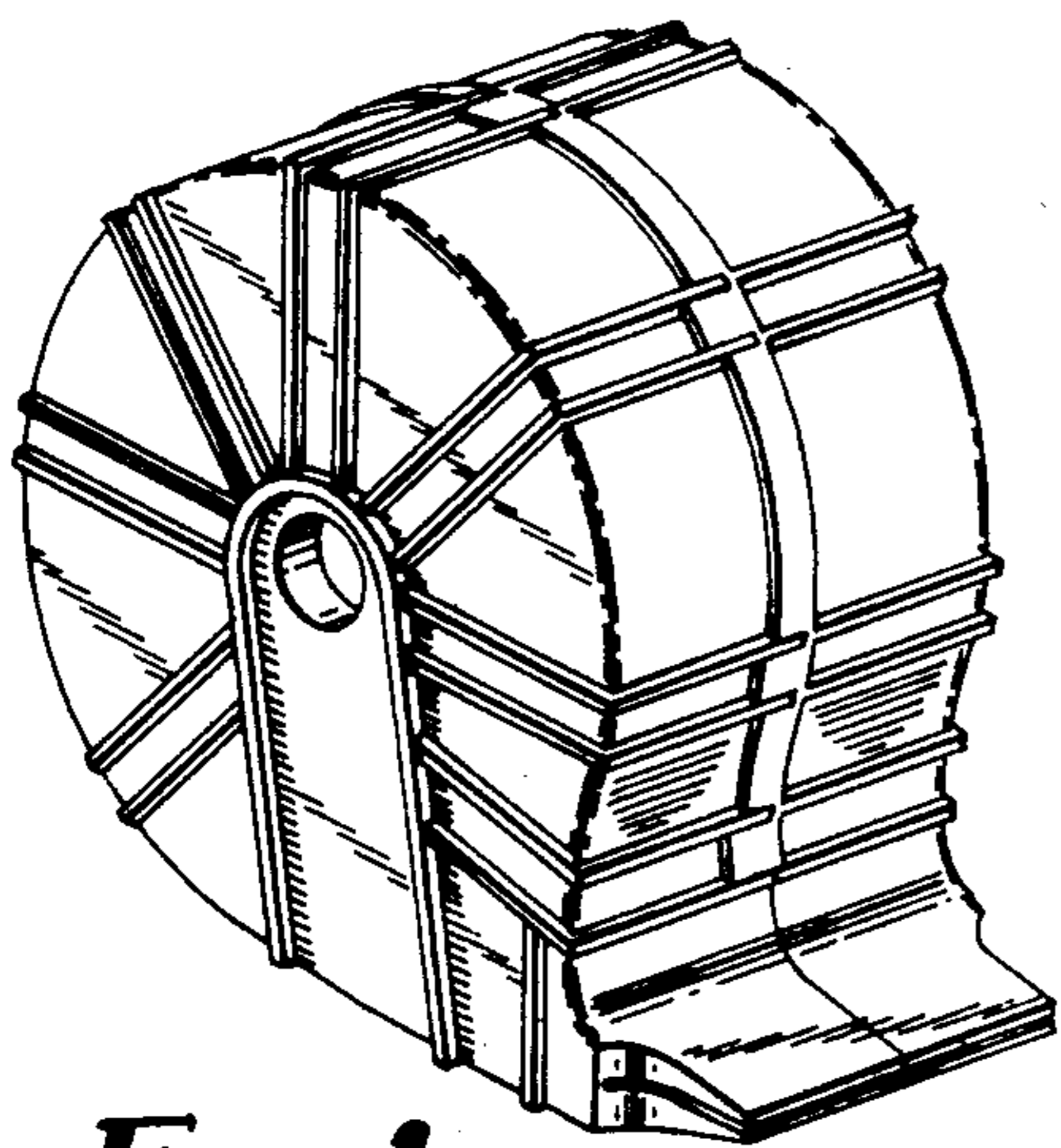


FIG. 1

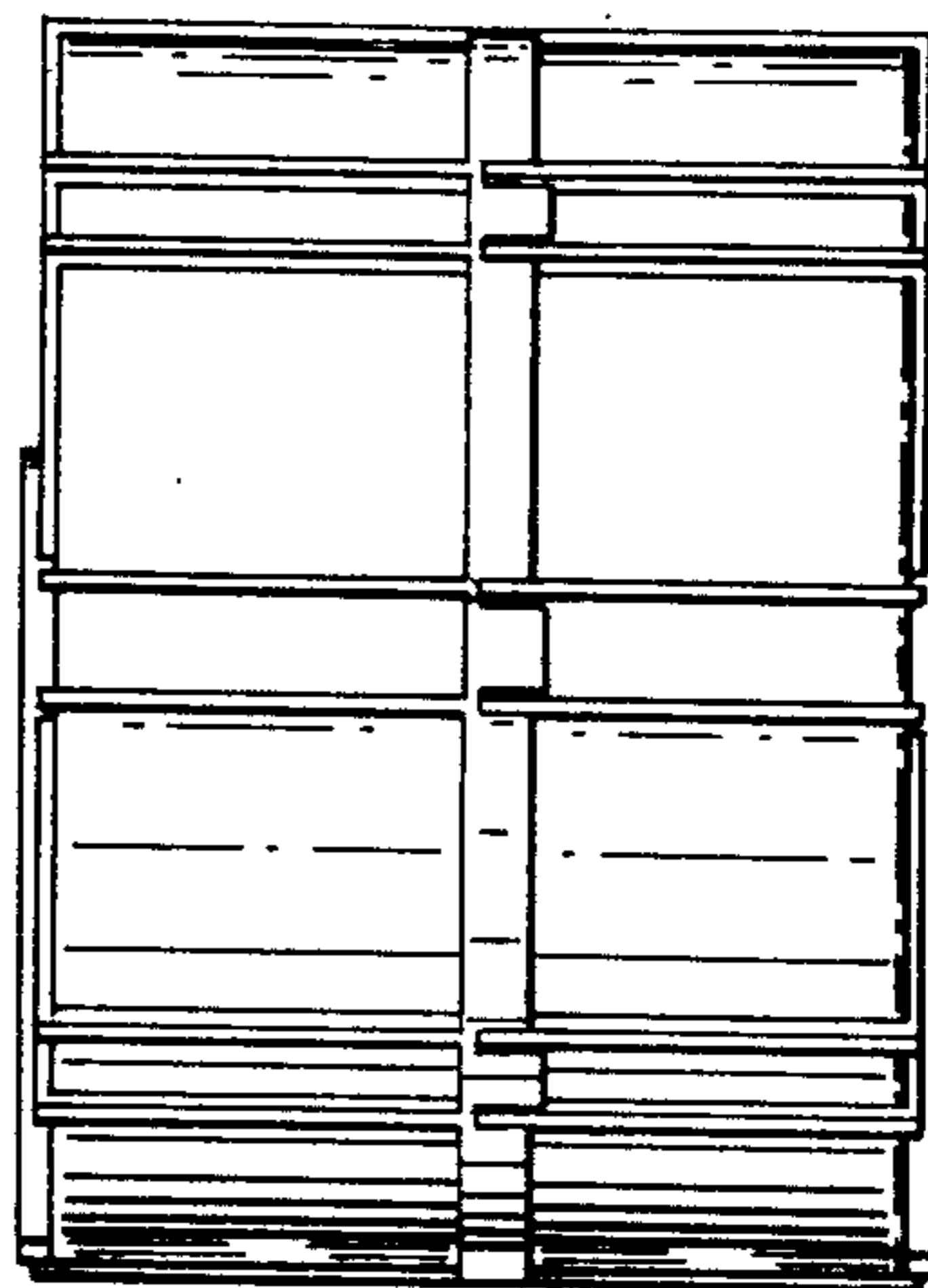


FIG. 4

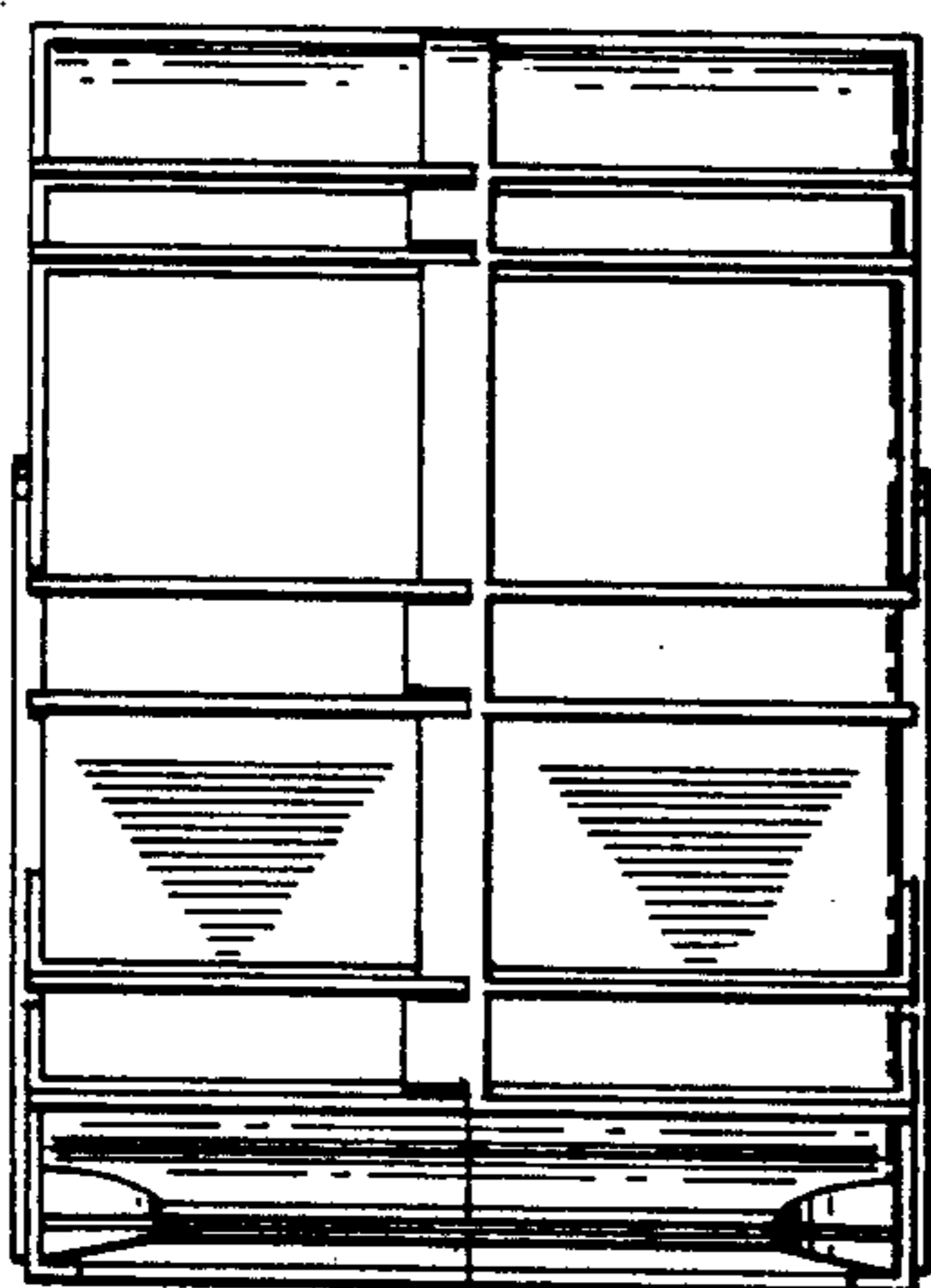


FIG. 2

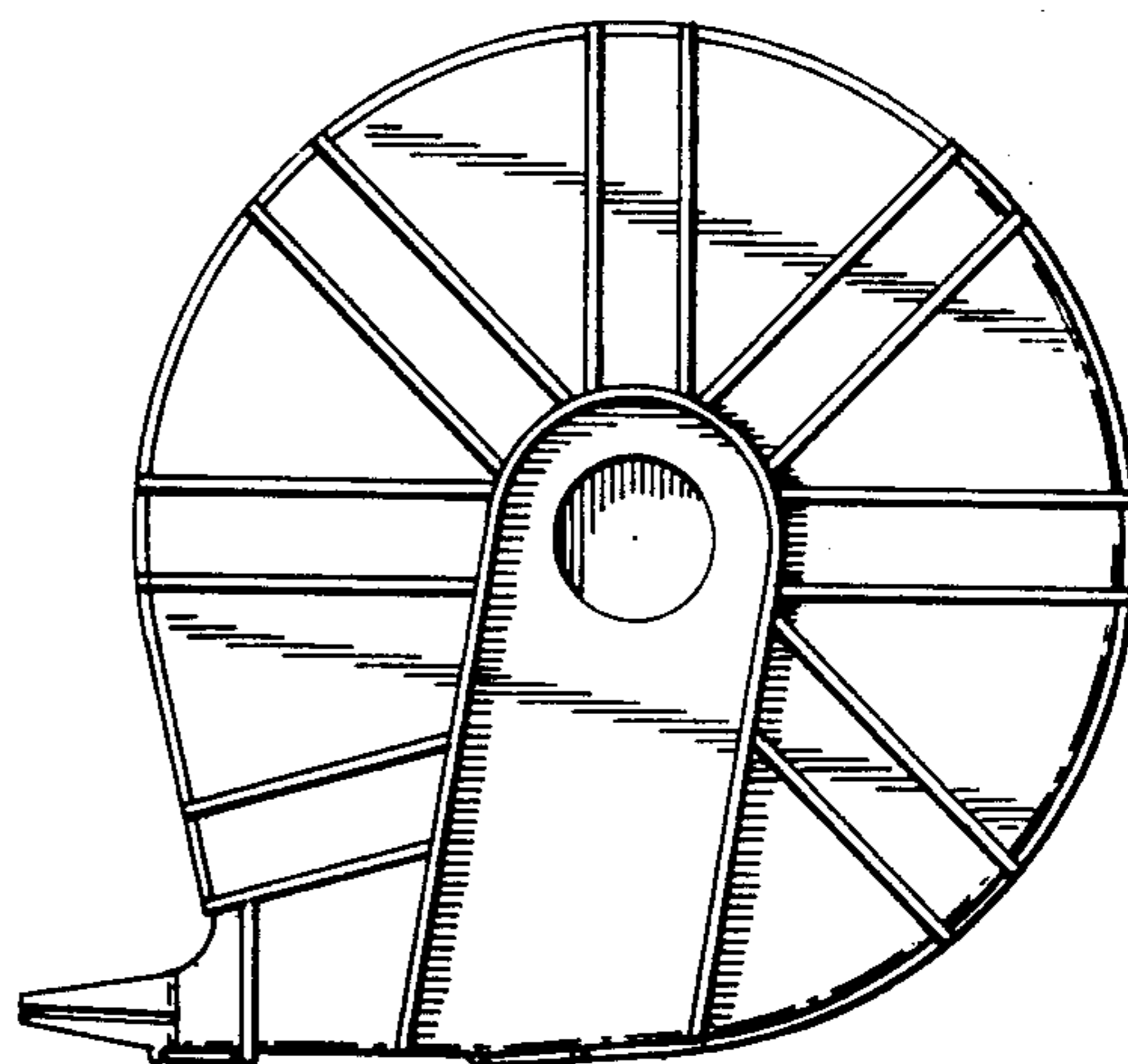


FIG. 3

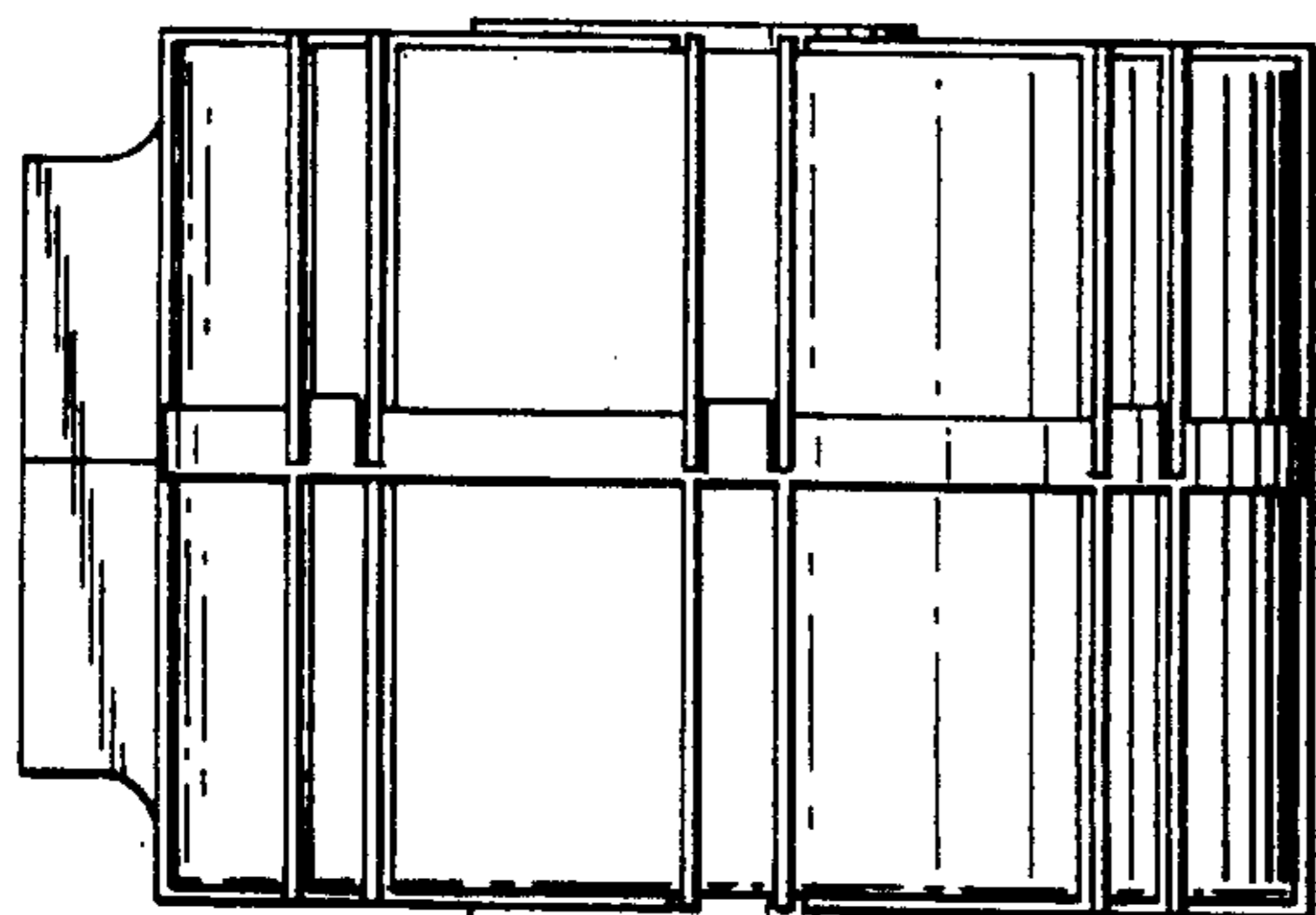


FIG. 5

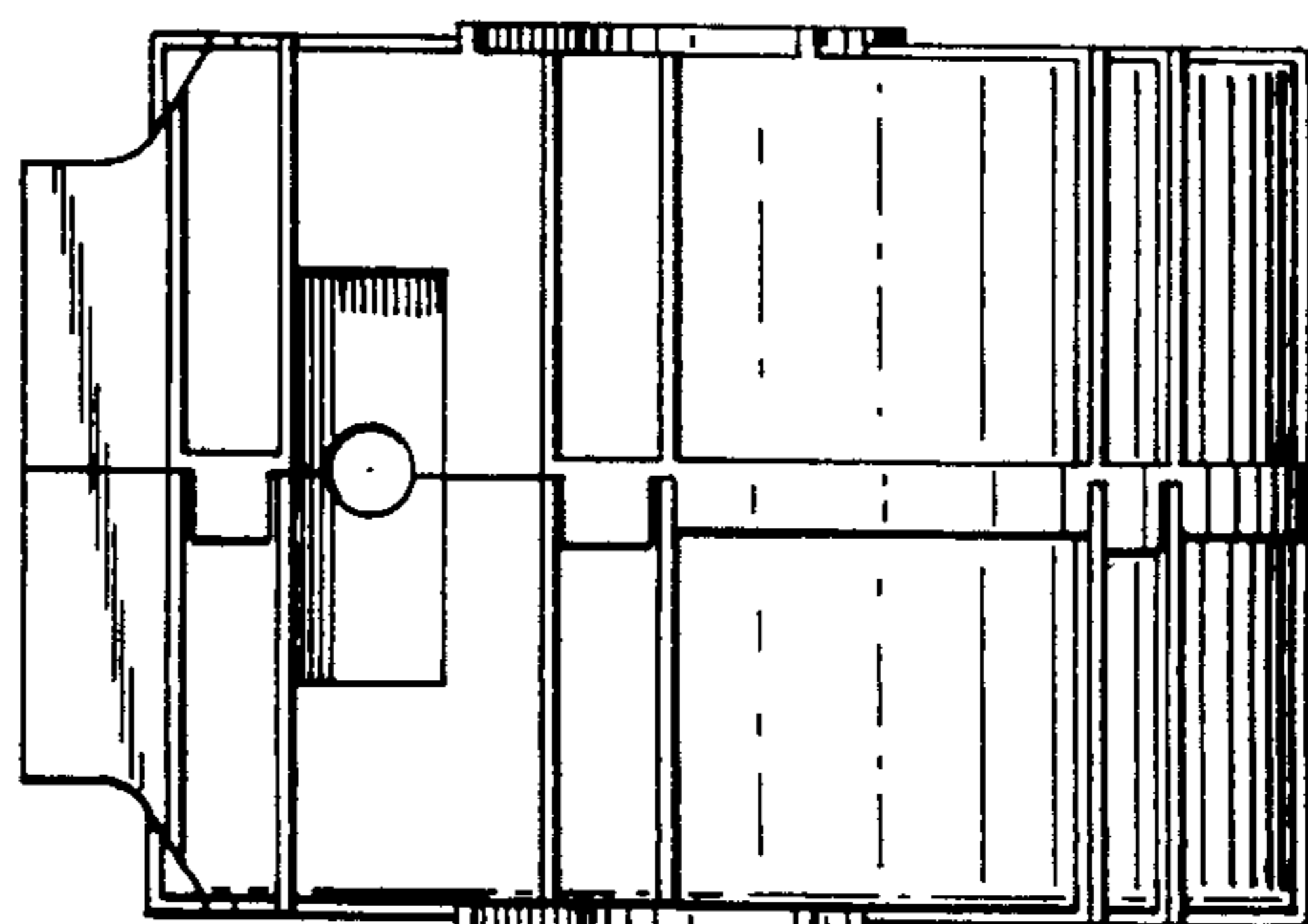


FIG. 6