

[54] pH METER

[75] Inventor: Robert S. Potts, Sherborn, Mass.

[73] Assignee: Corning Glass Works

[\*\*] Term: 14 Years

[21] Appl. No.: 756,175

[22] Filed: Jan. 3, 1977

[51] Int. Cl. .... D10-04

[52] U.S. Cl. .... D10/81; D10/46;  
D10/75; D10/103; D24/17

[58] Field of Search .... D10/46, 74, 75, 80,  
D10/81, 103, 102; D24/8, 17; 324/30 B;  
204/195; 73/431

[56]

References Cited

U.S. PATENT DOCUMENTS

D. 181,743	12/1957	Molloy .....	D10/46
D. 219,998	2/1971	Behnk .....	D10/65
2,764,892	10/1956	Rosenthal .....	324/30 B
3,170,111	2/1965	Case .....	324/30 B

Primary Examiner—Nelson C. Holtje

Attorney, Agent, or Firm—Clarence R. Patty, Jr.

[57]

CLAIM

The ornamental design for a pH meter, as shown and described.

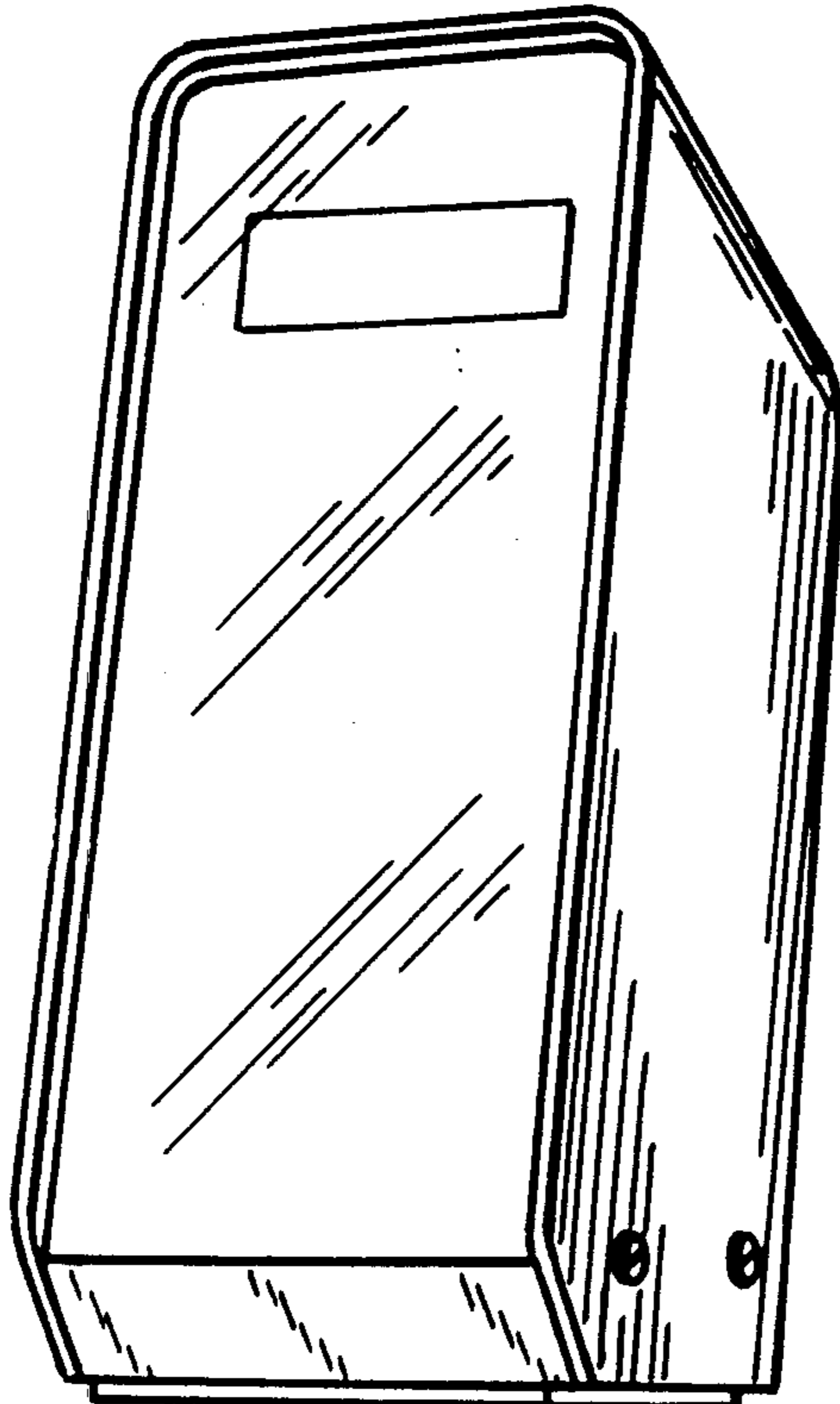
DESCRIPTION

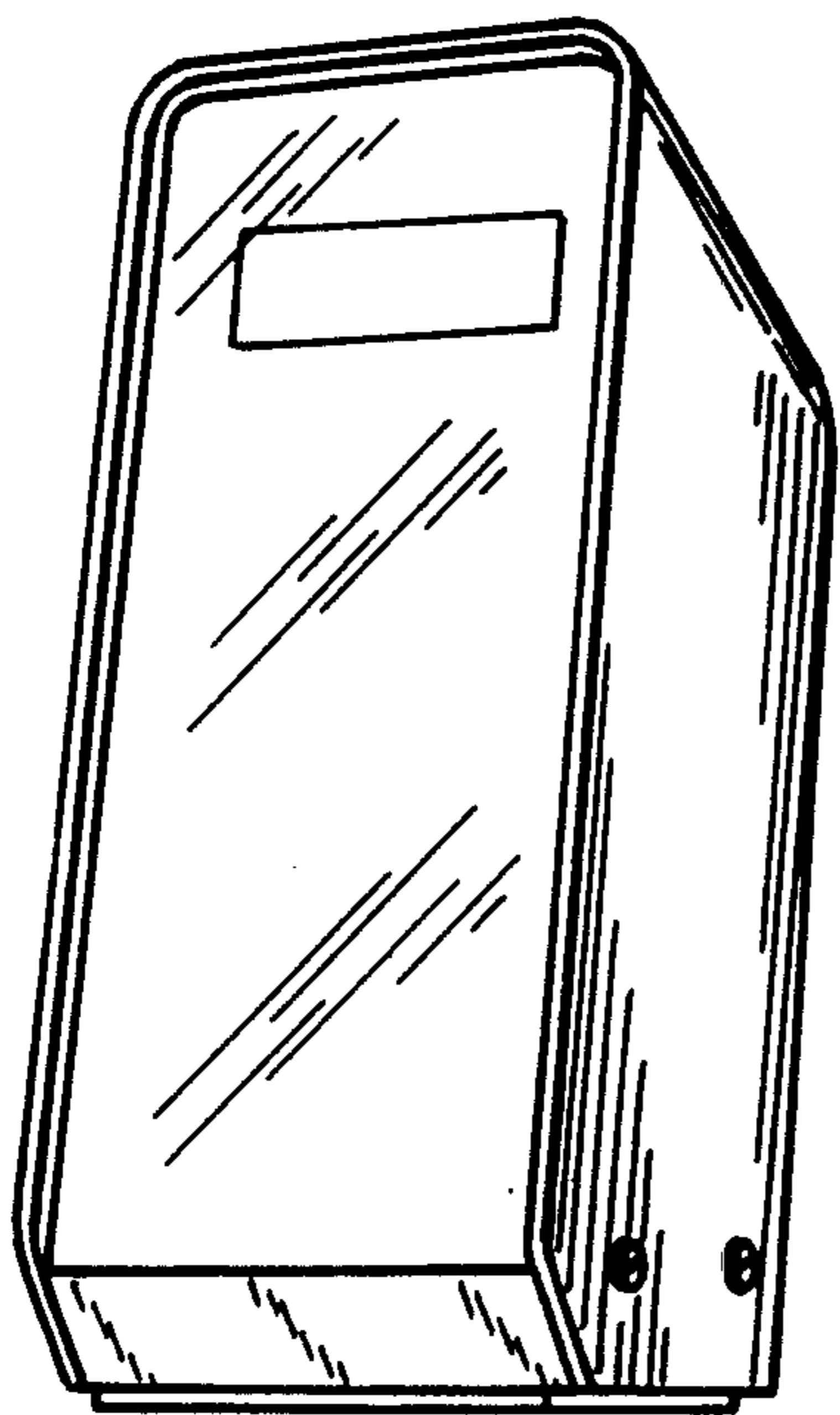
FIG. 1 is a right front perspective view of a pH meter showing my new design;

FIG. 2 is a right side elevational view thereof, the left side being a mirror image thereto;

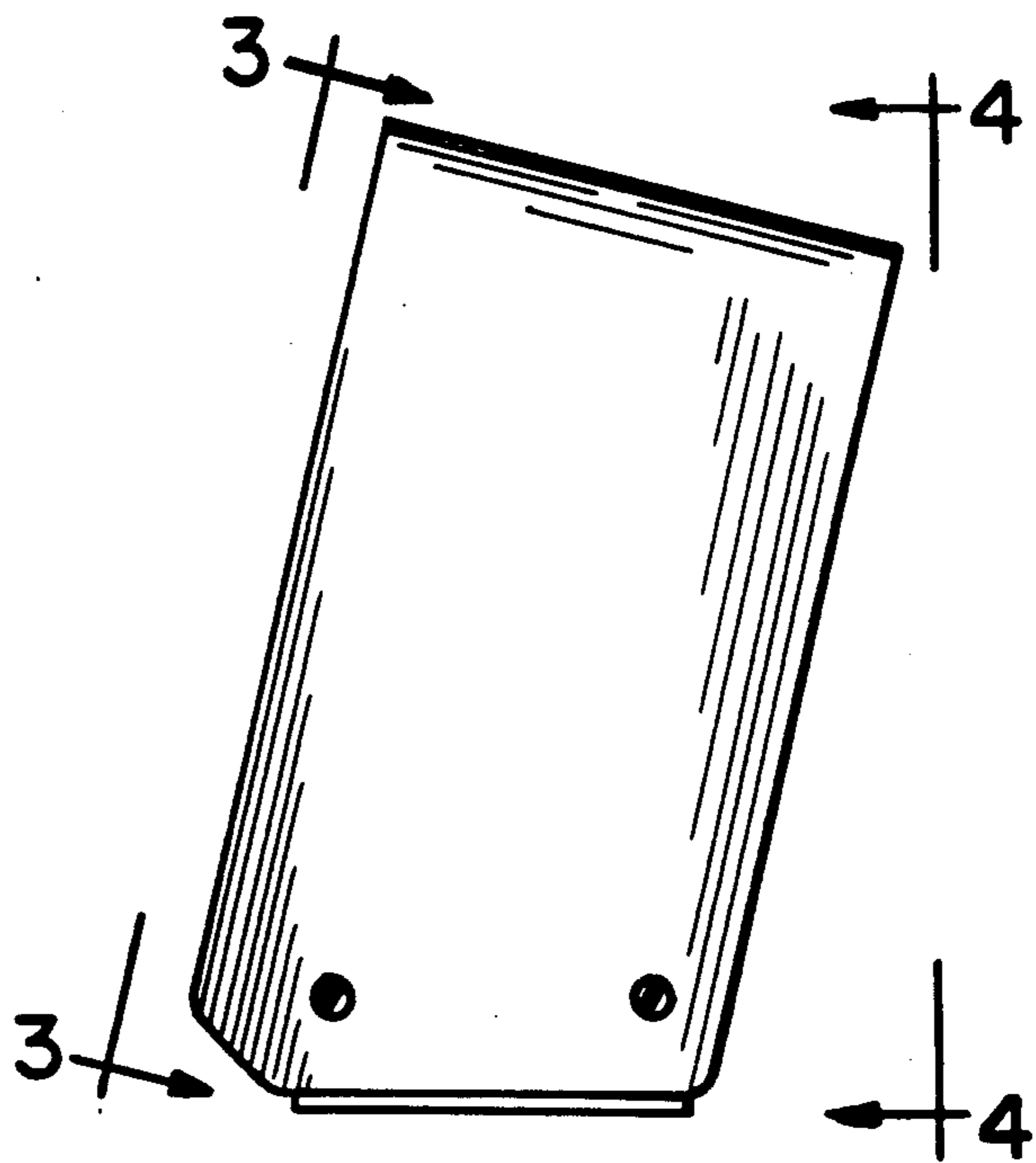
FIG. 3 is a front elevational view thereof as taken from line 3-3 of FIG. 2;

FIG. 4 is a rear elevational view thereof as taken from line 4-4 of FIG. 2.

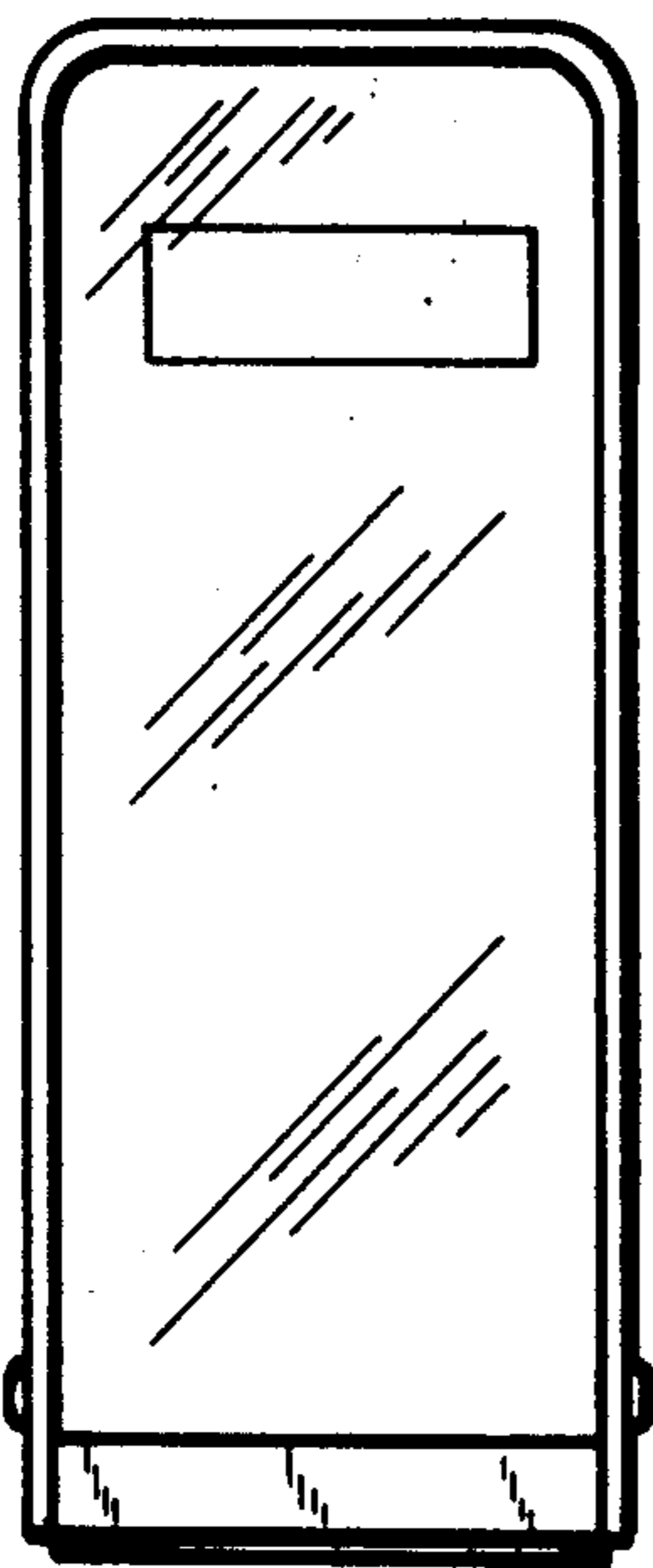




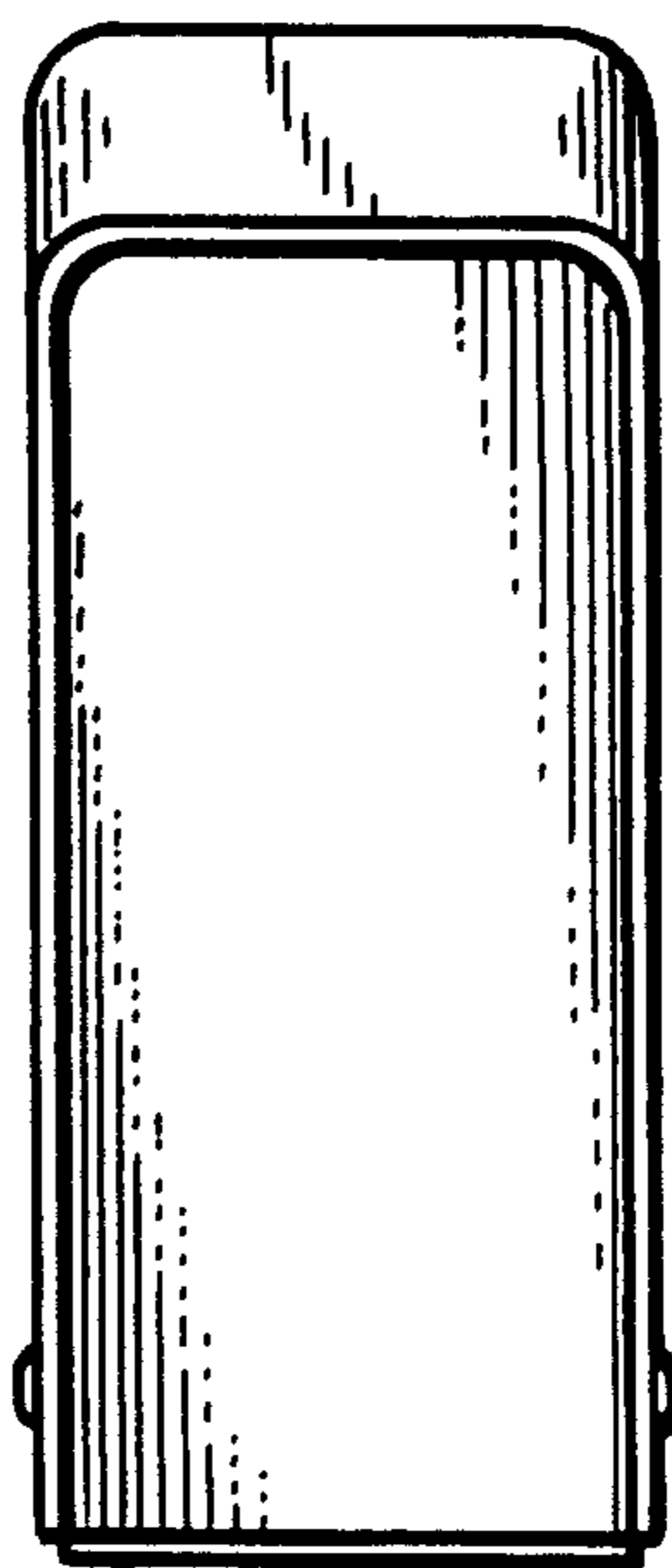
*Fig. 1*



*Fig. 2*



*Fig. 3*



*Fig. 4*