

[54] MULTI-UNIT INDIVIDUALLY
REMOVABLE PACKAGE

[75] Inventor: John D. Andrews, Houston, Tex.

[73] Assignee: Mira-Pak Inc., Houston, Tex.

[**] Term: 14 Years

[21] Appl. No.: 735,038

[22] Filed: Oct. 22, 1976

[51] Int. Cl. D9-03

[52] U.S. Cl. D9/183

[58] Field of Search 206/463, 495; D9/182,
D9/183, 191, 192

[56] References Cited

U.S. PATENT DOCUMENTS

D. 175,653 9/1955 Steiner D9/191

D. 193,811	10/1962	Ebbert et al.	D9/183
D. 197,862	3/1964	Wills, Jr. et al.	D9/183
D. 214,996	8/1969	Cline	D9/191
D. 222,580	11/1971	Nakakuma	D9/183
D. 242,900	1/1977	Seiferth et al.	D9/191
1,035,258	8/1912	Stegman	D9/183 X

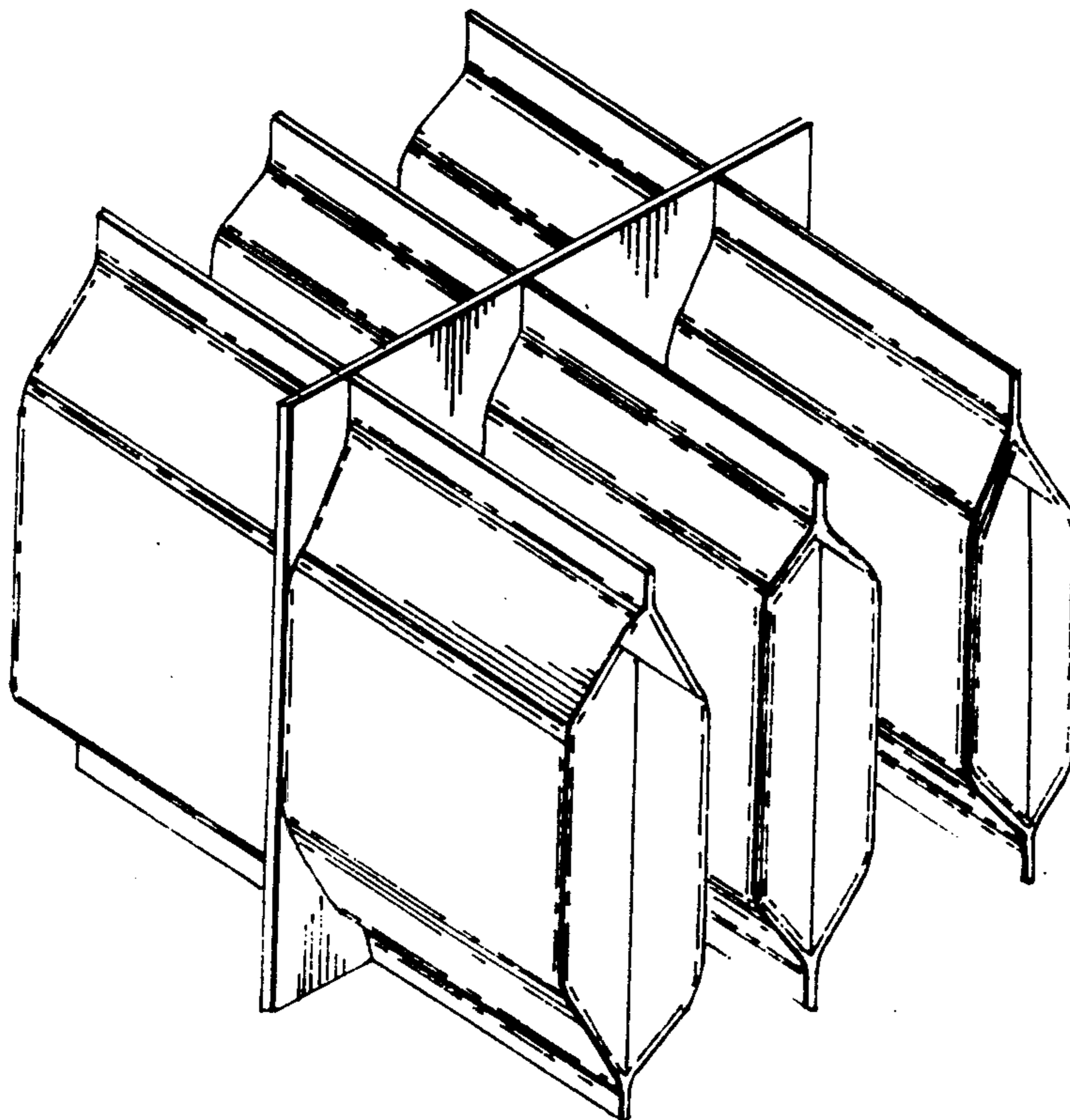
Primary Examiner—Robert C. Spangler
Attorney, Agent, or Firm—Roberts B. Larson

[57] CLAIM

The ornamental design for a multi-unit individually removable package, as shown and described.

DESCRIPTION

FIG. 1 is perspective view of a multi-unit individually removable package showing my new design; FIG. 2 is an end elevational view; FIG. 3 is the side elevational view; and FIG. 4 is a top plan view thereof.



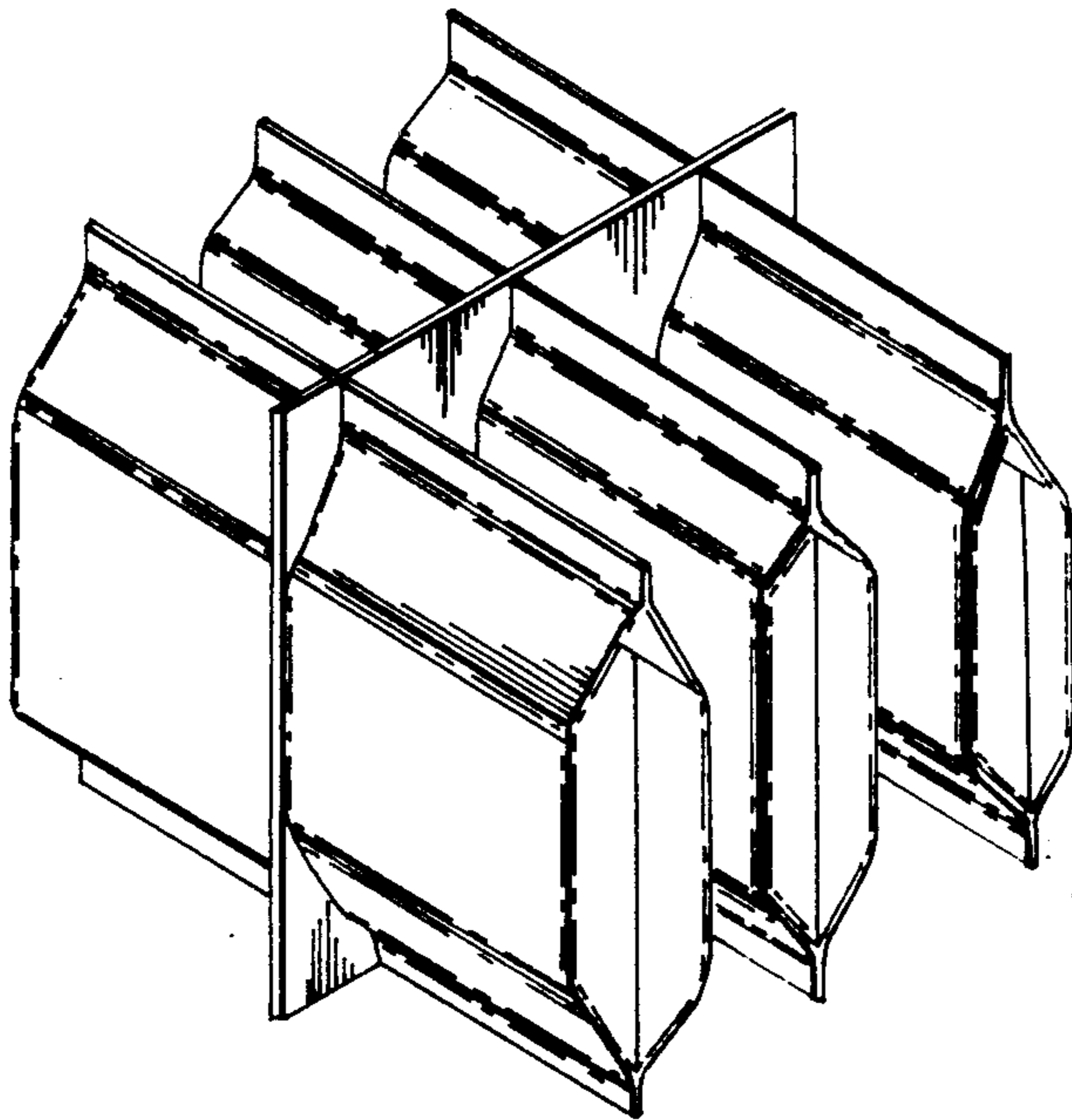


FIG. 1

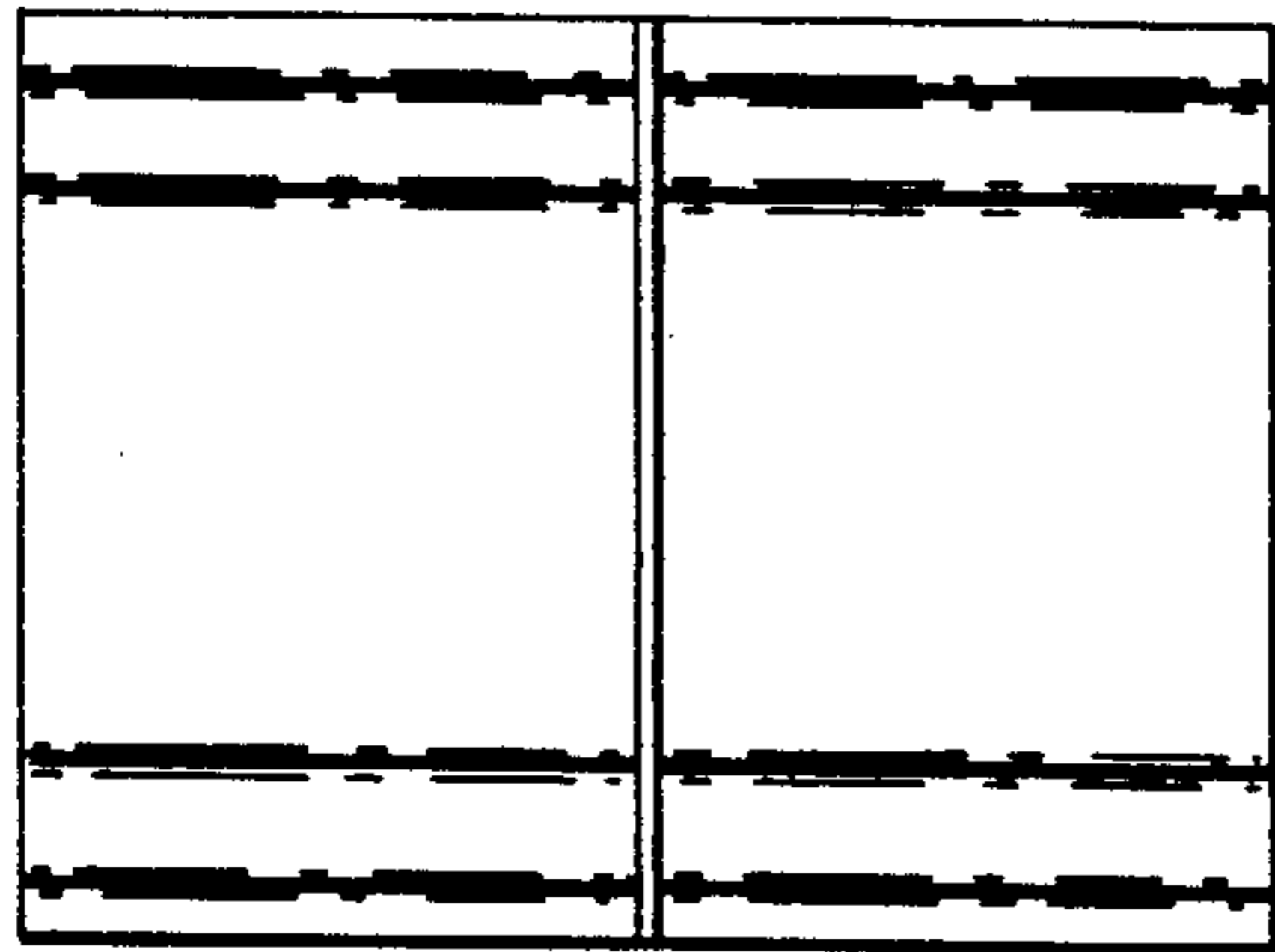


FIG. 2

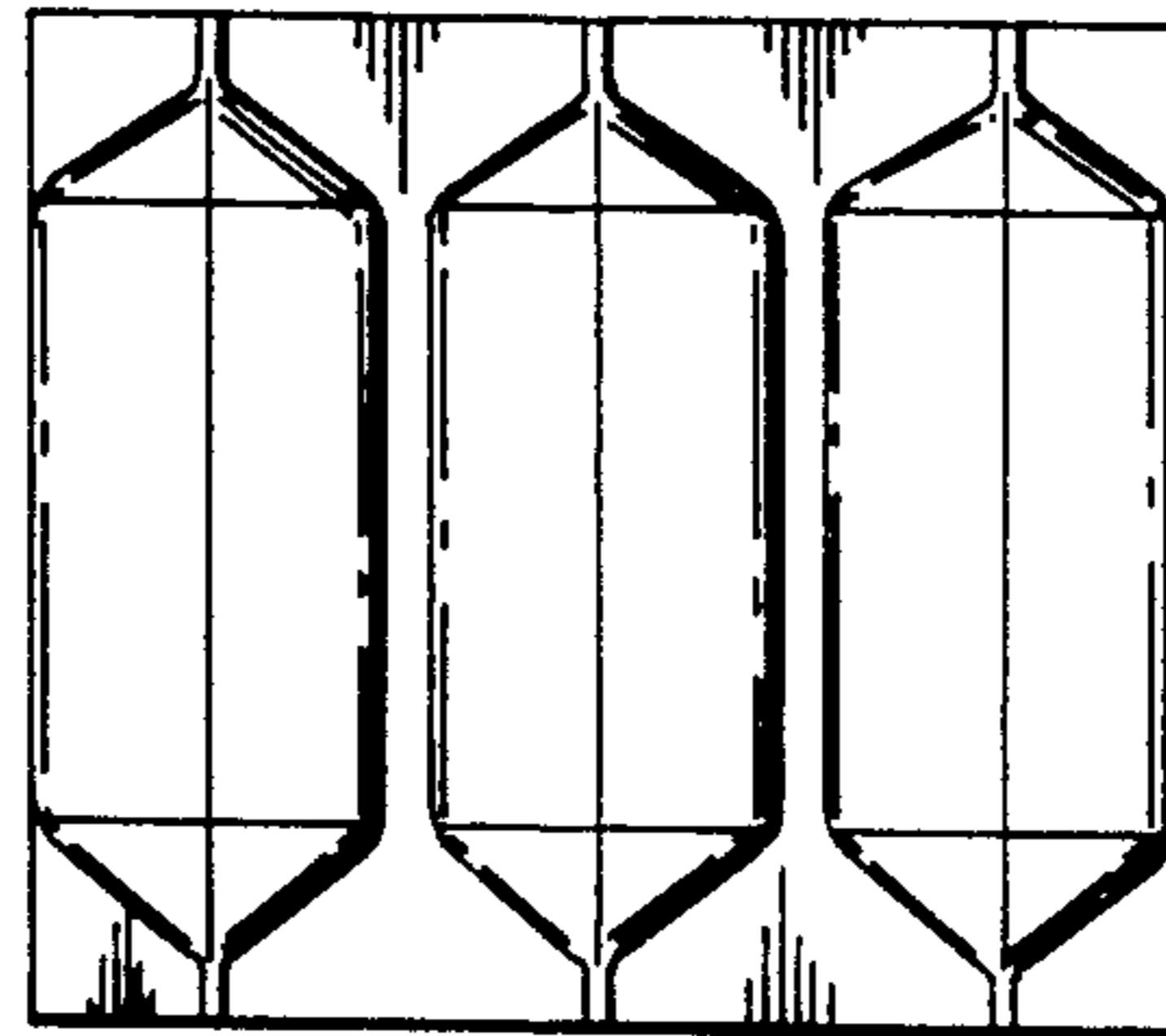


FIG. 3



FIG. 4