

[54] **COMPARTMENTED FOOD SERVING TRAY**

[76] Inventor: **Theodor M. Box**, 1108 Aileen Rd., Brielle, N.J. 08730

[**] Term: **14 Years**

[21] Appl. No.: **741,103**

[22] Filed: **Nov. 11, 1976**

[51] Int. Cl. **D7-99**

[52] U.S. Cl. **D7/38; D7/19**

[58] Field of Search **D7/38, 37, 19, 21, 70; D9/184, 185, 187, 188, 242; D87/1 R**

[56] **References Cited**

U.S. PATENT DOCUMENTS

D. 106,782	11/1937	Benque	D7/70
D. 145,764	10/1946	Zelov	D7/38
D. 159,454	7/1950	Waltman	D7/38
D. 174,479	4/1955	Bosch	D7/38
D. 182,396	4/1958	Berry, Jr.	D7/38

OTHER PUBLICATIONS

Premium Practice, Jun. 1937, p. 25, Standard Plastics Corp. Adv., serving tray shown.
Domus, Jun. 1971, p. 27, tray shown in top three panels.

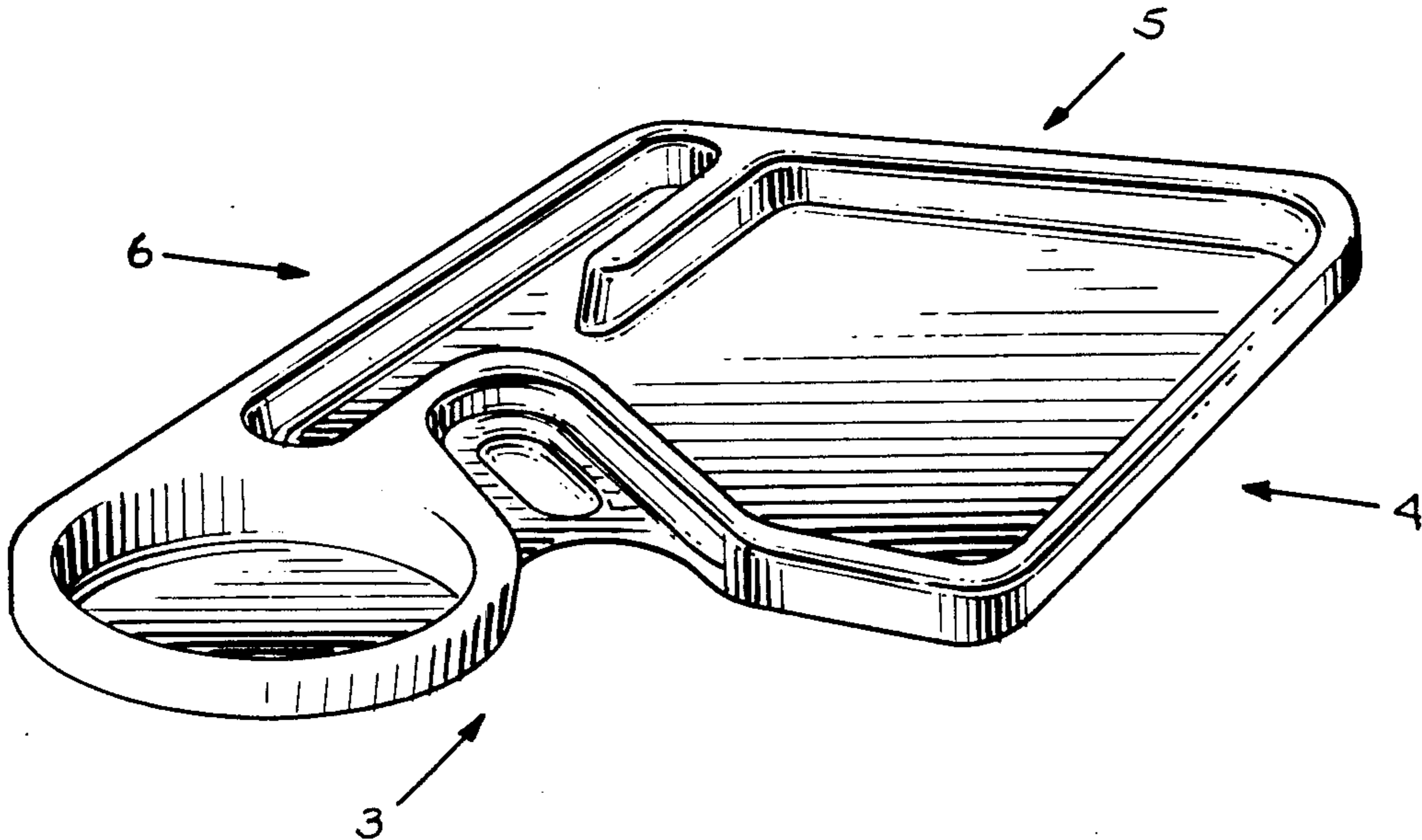
Primary Examiner—Winifred E. Herrmann
Attorney, Agent, or Firm—James H. Callahan

[57] **CLAIM**

The ornamental design for a compartmented food serving tray, as shown.

DESCRIPTION

FIG. 1 is a top perspective view of a compartmented food serving tray showing my new design;
FIG. 2 is a top plan view thereof on an enlarged scale;
FIG. 3 is a side elevation viewed in the direction of arrow 3 shown in FIG. 1;
FIG. 4 is an end elevation taken in the direction of arrow 4 in FIG. 1;
FIG. 5 is a side elevation taken in the direction of arrow 5 in FIG. 1;
FIG. 6 is an end elevation taken in the direction of arrow 6 in FIG. 1; and
FIG. 7 is a section taken along line 7-7 of FIG. 2.



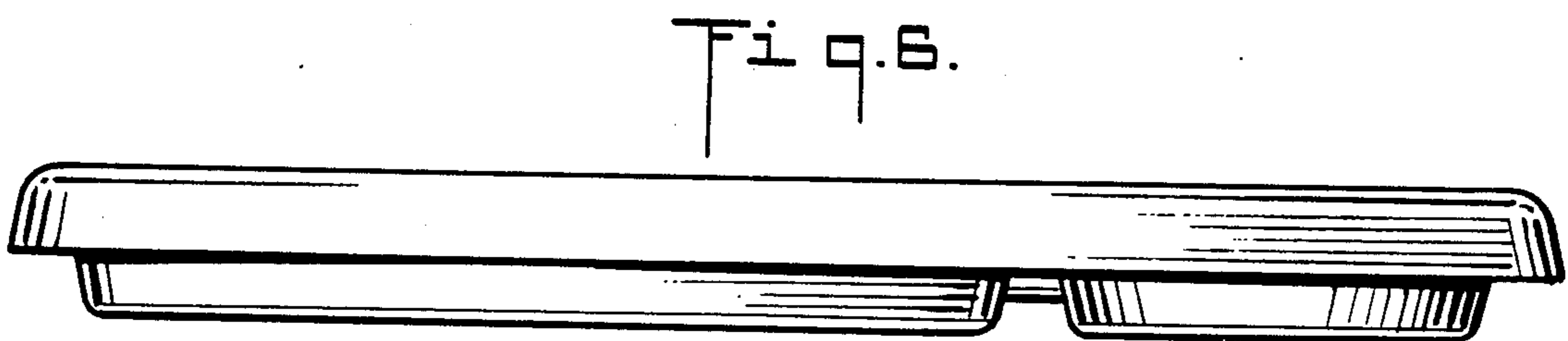
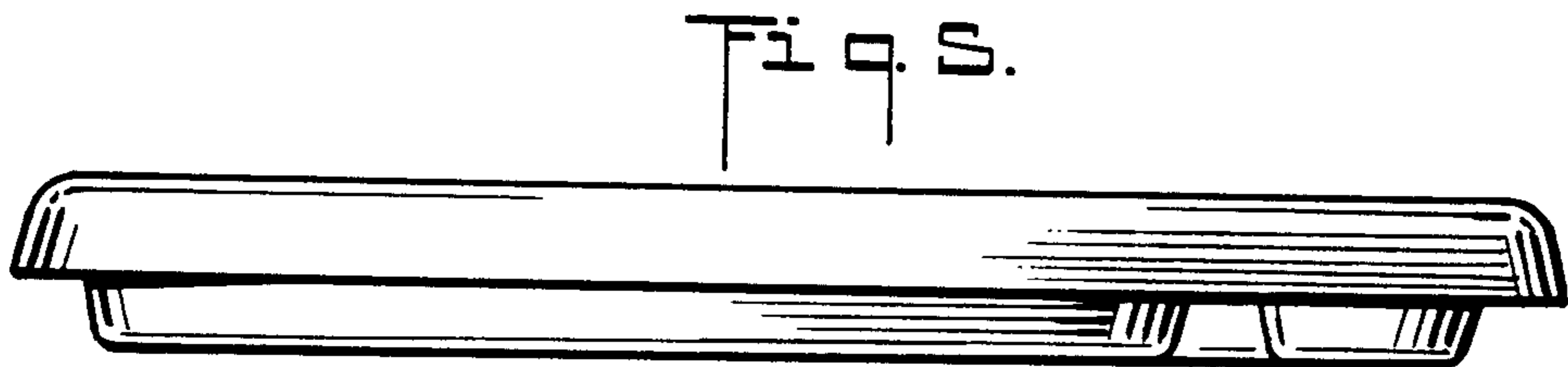
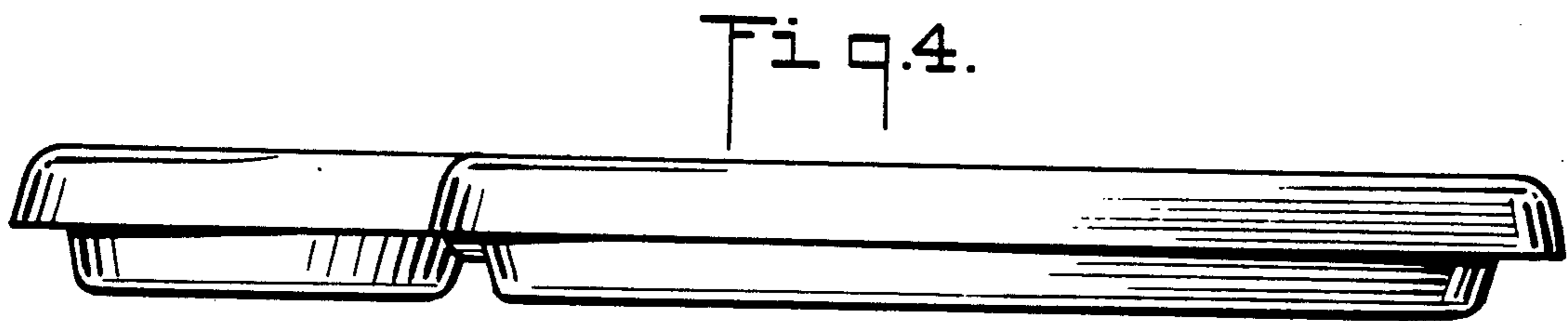
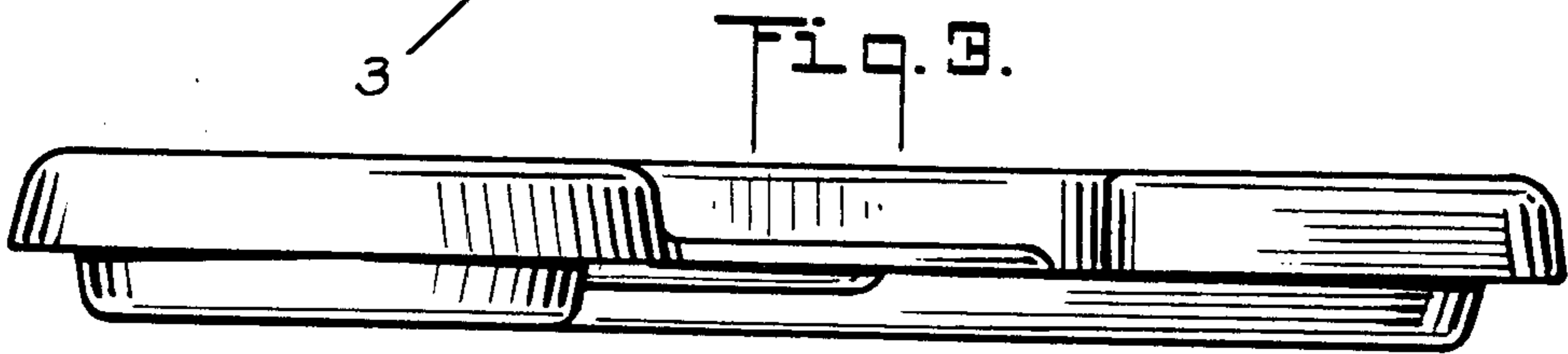
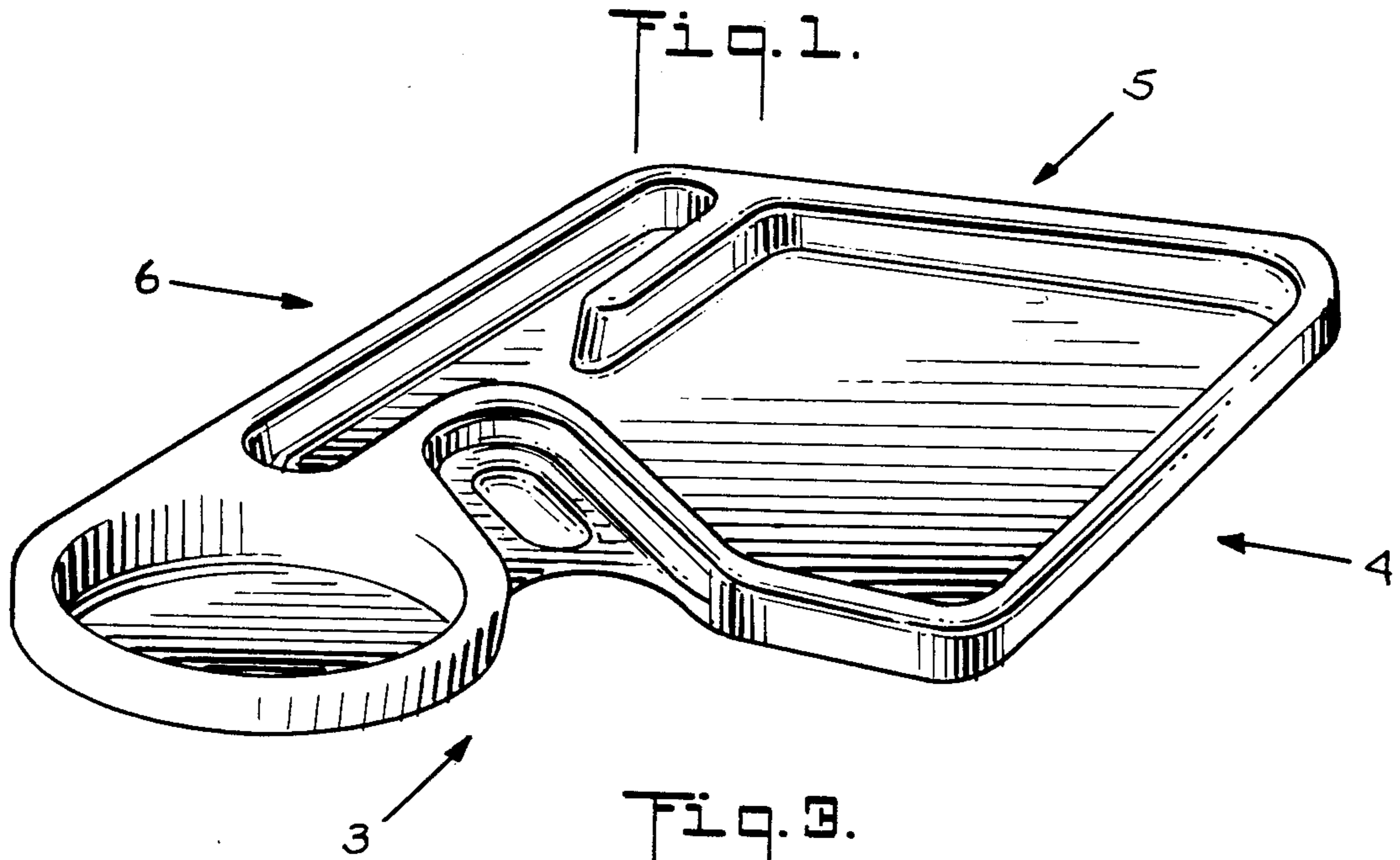


Fig. 2.

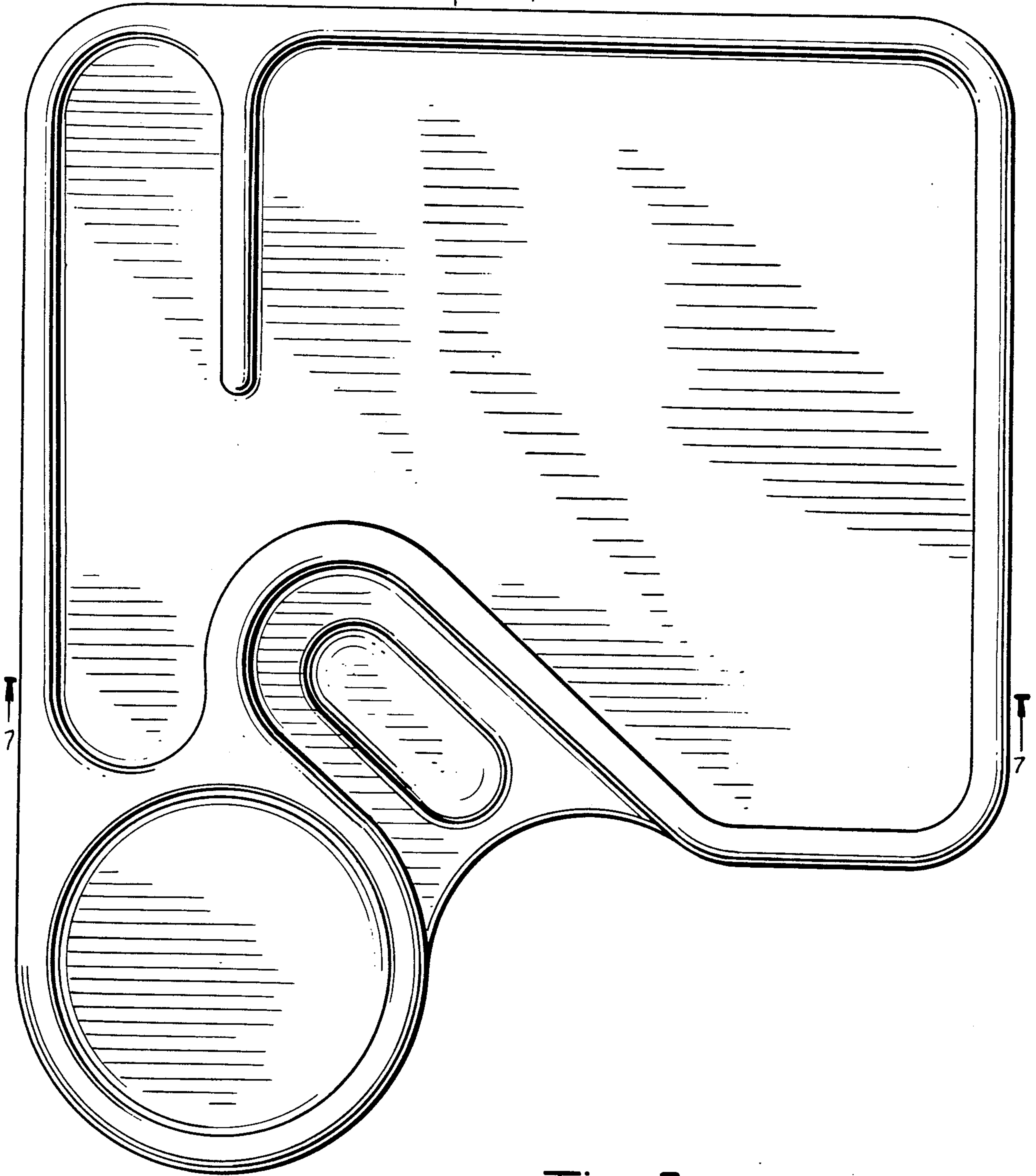


Fig. 2.

