

[54] TAPE DISPENSER

[76] Inventor: Douglas Nielsen, P.O. Box 1029,
Kanab, Utah 84741

[**] Term: 14 Years

[21] Appl. No.: 814,144

[22] Filed: Jul. 11, 1977

[51] Int. Cl. D19-02

[52] U.S. Cl. D19/67

[58] Field of Search D19/67-69;
225/40

[56] References Cited

U.S. PATENT DOCUMENTS

D. 211,615 7/1968 Stephens D19/68
D. 212,980 12/1968 Desmond D19/69

OTHER PUBLICATIONS

Mutual Stationery Co. Inc., Cat. © 1935, p. 166, rt. center.

Primary Examiner—Joel Stearman
Assistant Examiner—George P. Word
Attorney, Agent, or Firm—Gerald Singer

[57] CLAIM

The ornamental design for a tape dispenser, substantially as shown and described.

DESCRIPTION

FIG. 1 is a front perspective view of a tape dispenser showing my new design;
FIG. 2 is a front elevational view thereof;
FIG. 3 is a top plan view thereof;
FIG. 4 is a rear elevational view thereof;
FIG. 5 is a left side elevational view, the right side being a mirror image thereof; and
FIG. 6 is a bottom plan view thereof.

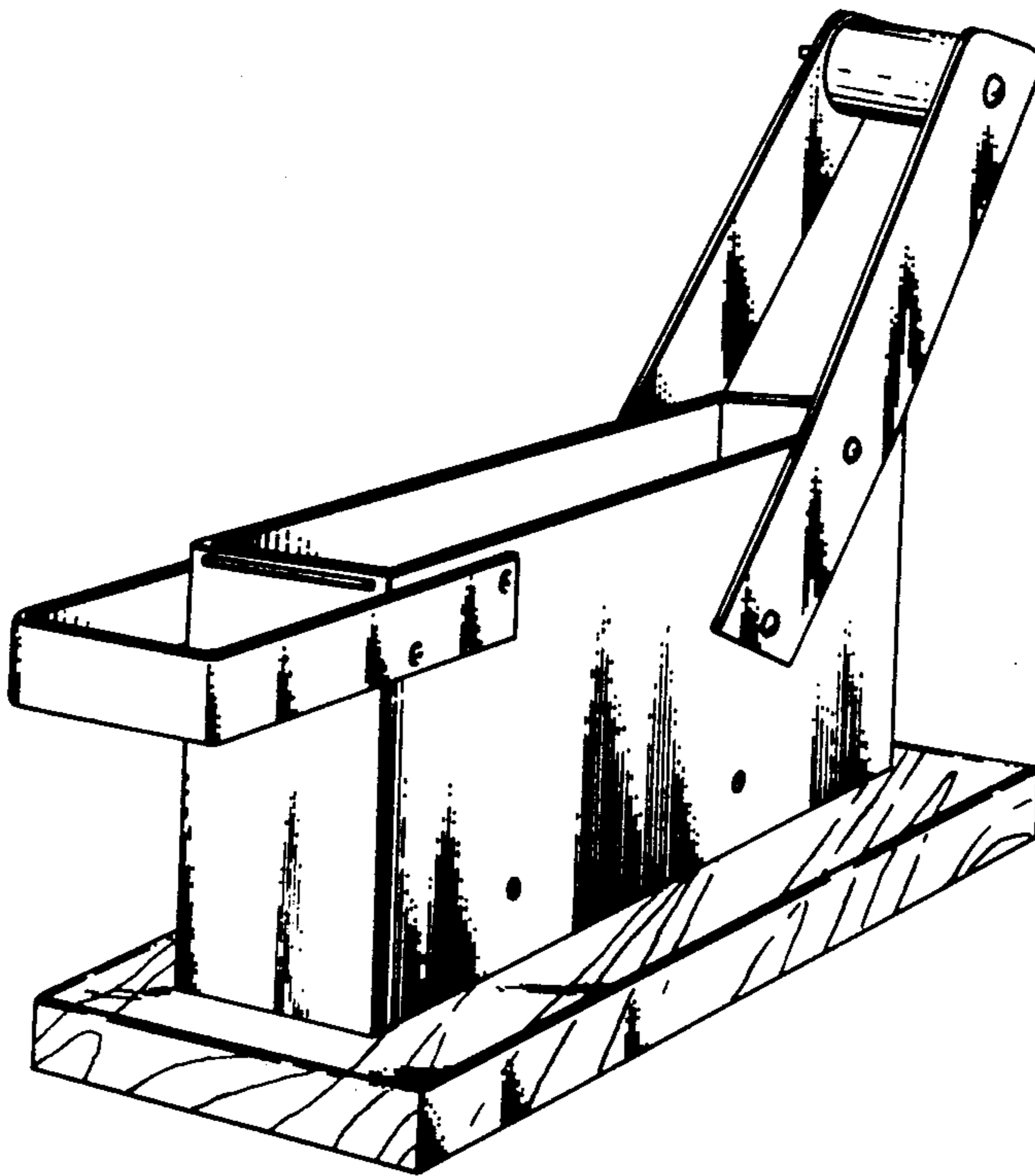


Fig. 1.

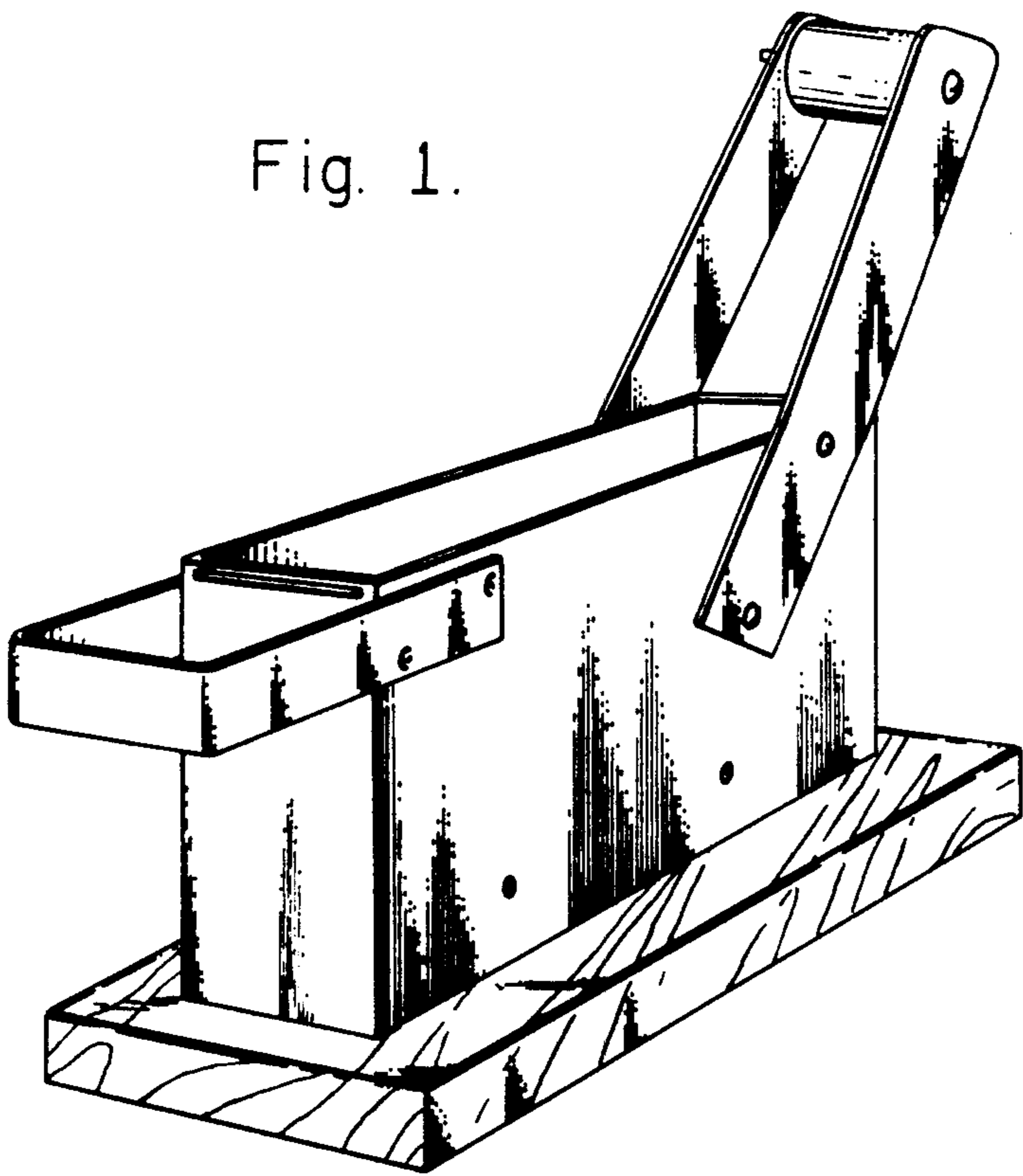


Fig. 2.

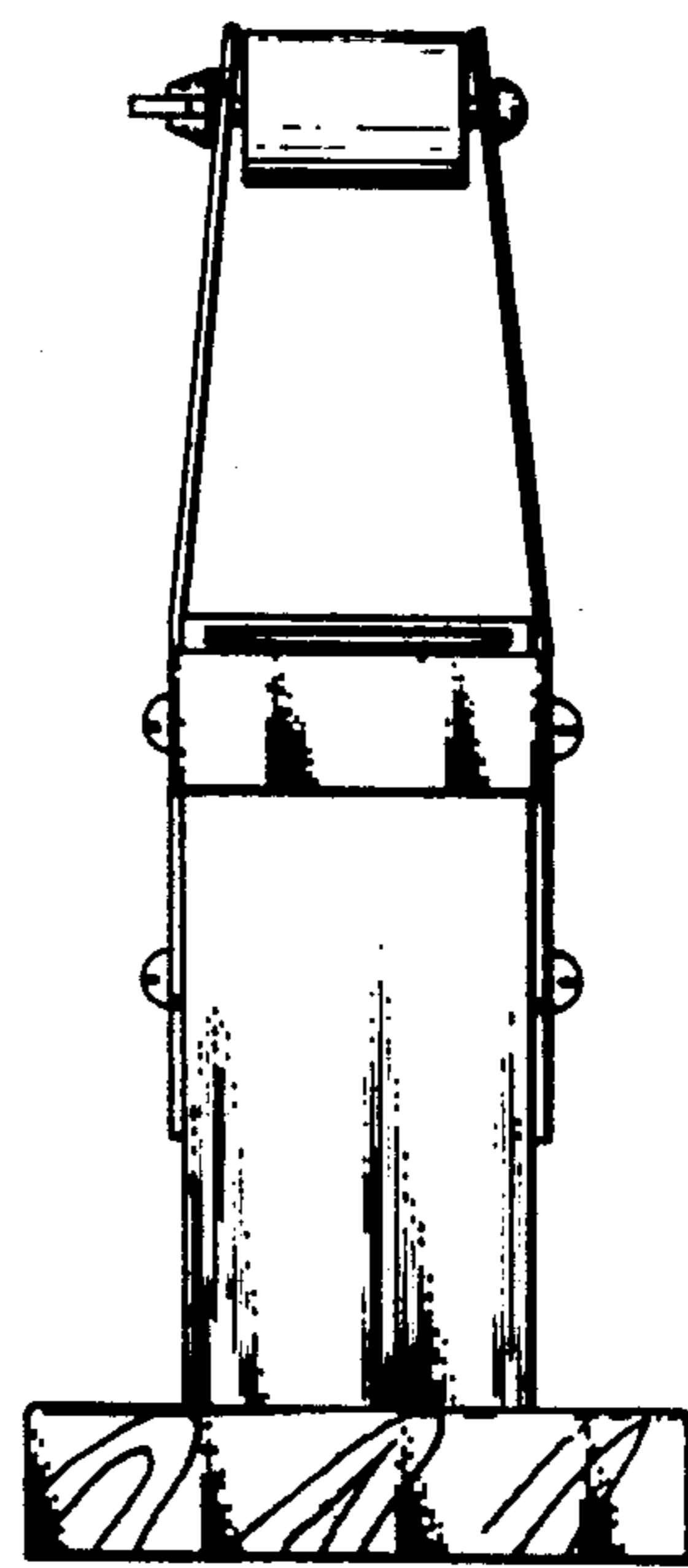


Fig. 3.

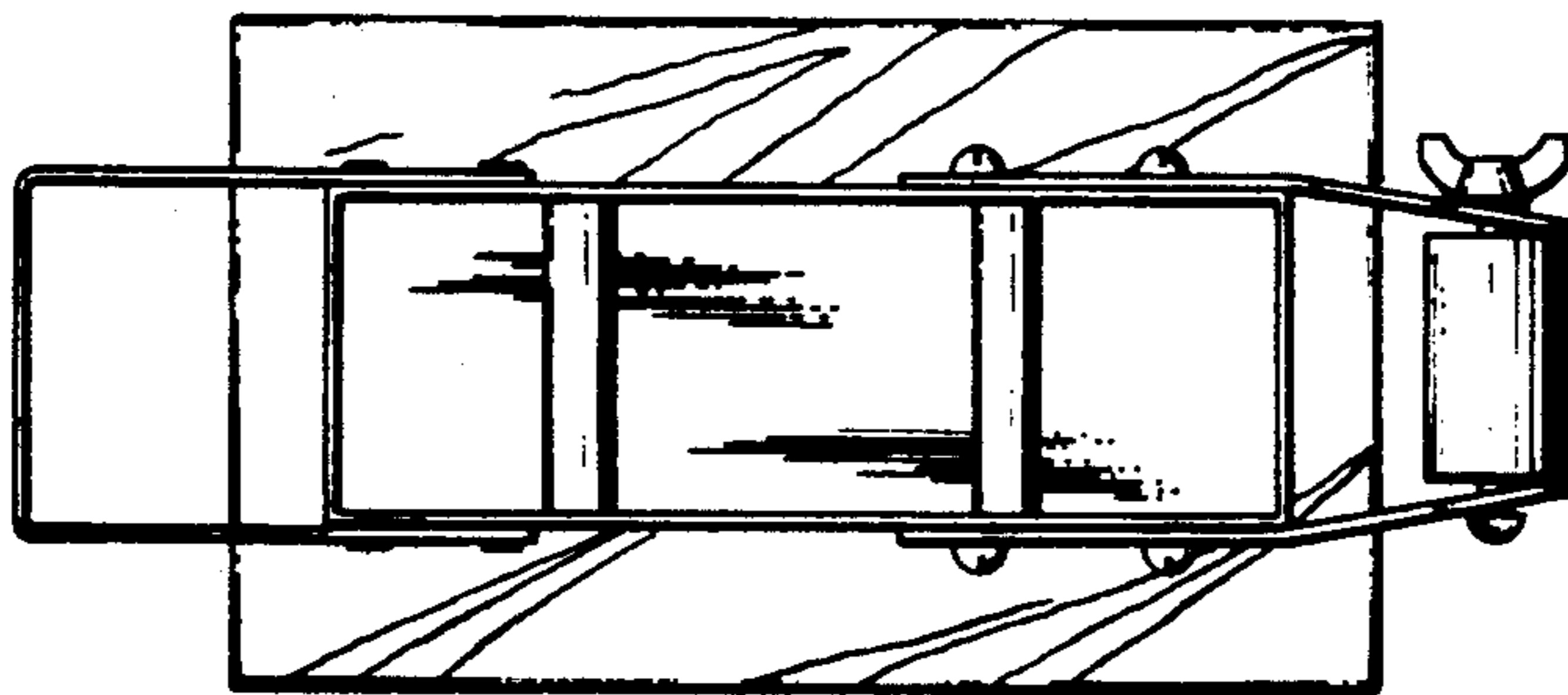


Fig. 4.

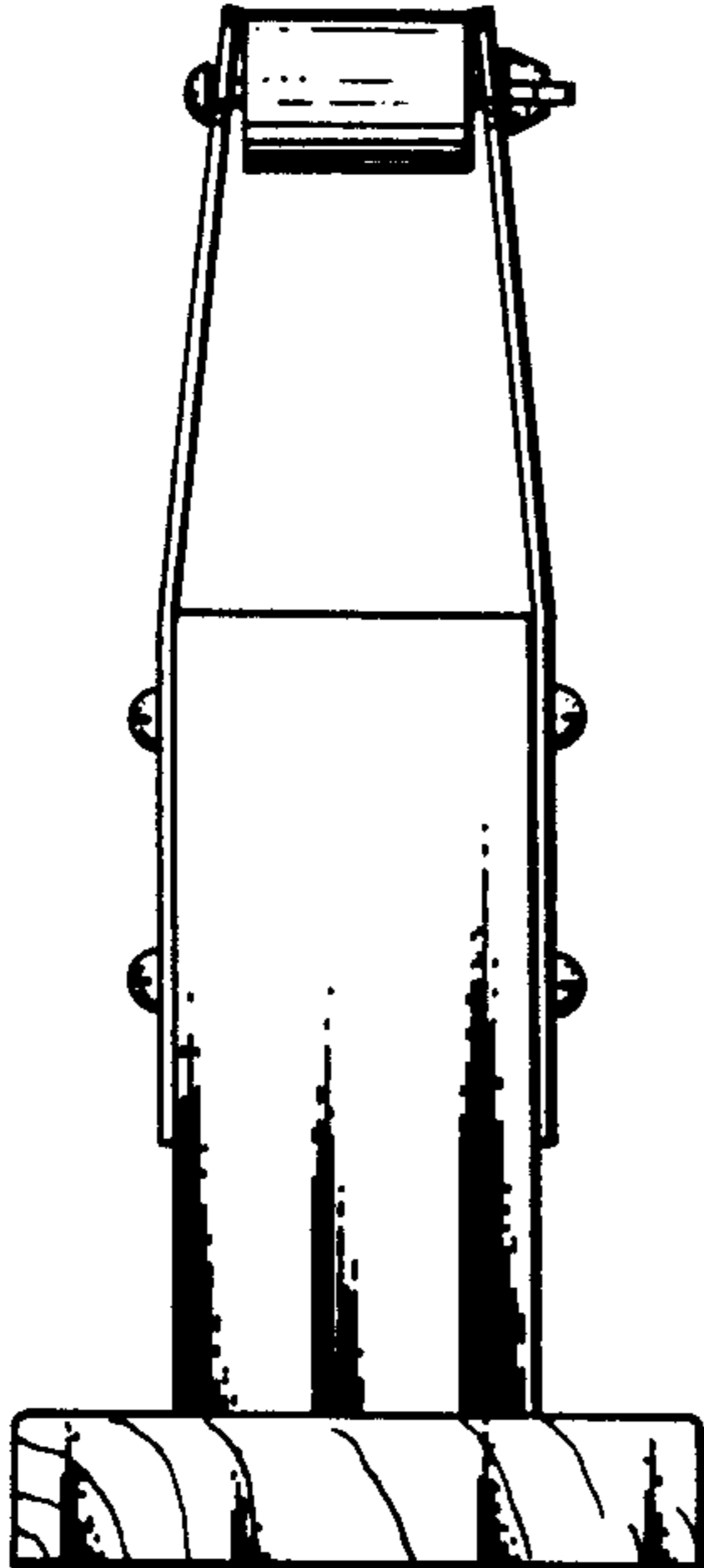


Fig. 5.

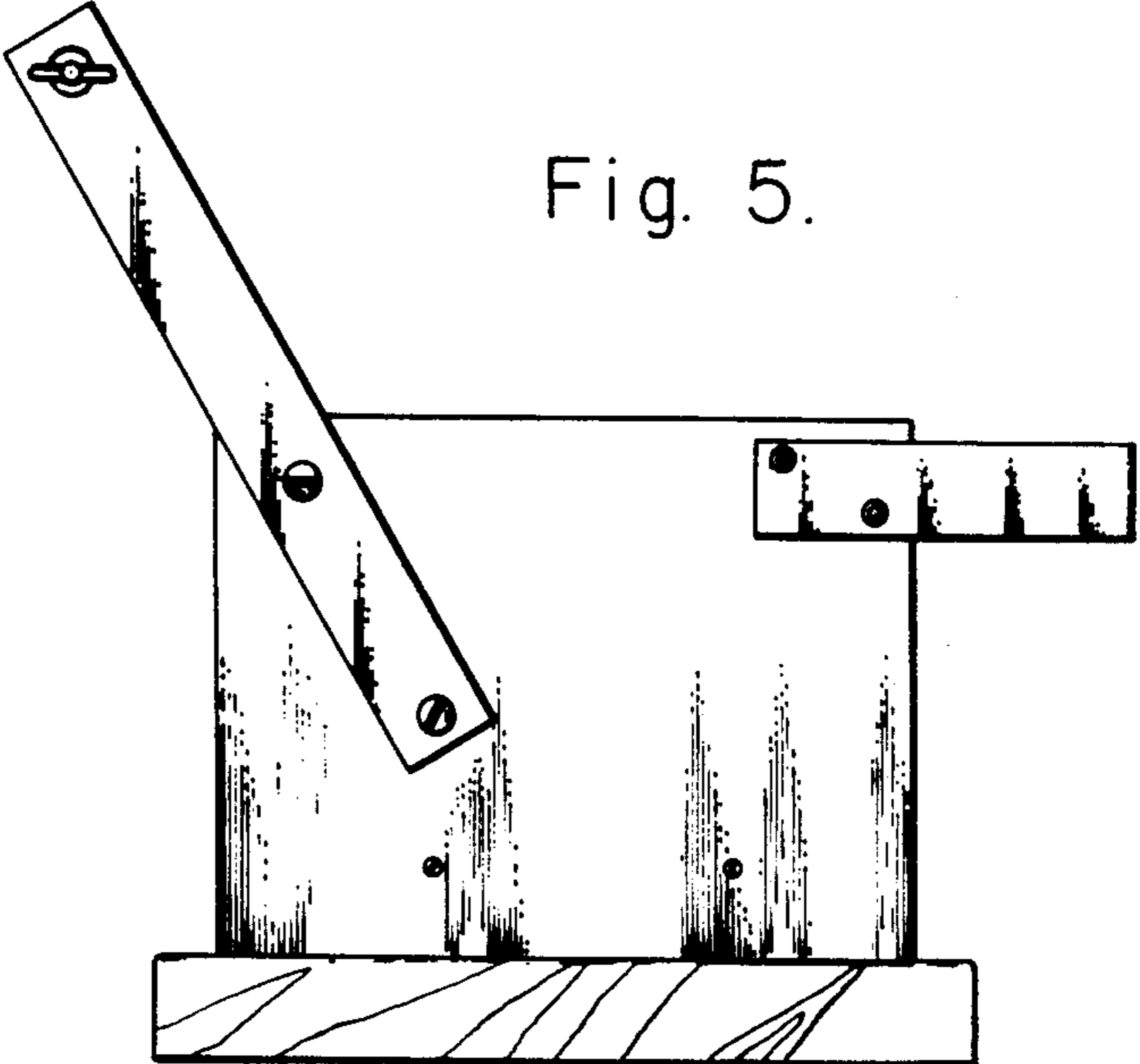


Fig. 6.

