

[54] PROCESSING SYSTEM

[75] Inventors: Robert M. Wilson, Hayward; Loren D. Stirling, Pleasanton, both of Calif.

[73] Assignee: Xerox Corporation, Stamford, Conn.

[\*\*] Term: 14 Years

[21] Appl. No.: 760,199

[22] Filed: Jan. 17, 1977

[51] Int. Cl. .... D14-02

[52] U.S. Cl. .... D14/44

[58] Field of Search ..... D14/40, 41, 42, 43, D14/44, 45, 46, 47, 49, 50, 51

[56] References Cited

U.S. PATENT DOCUMENTS

D. 235,664 7/1975 Kapper et al. .... D14/43  
D. 236,129 7/1975 Stirling ..... D14/44

OTHER PUBLICATIONS

Datamation Oct. 1975, p. 23, Computer System.  
Office Products, Sep. 1975, p. 140 - Typing Stands.

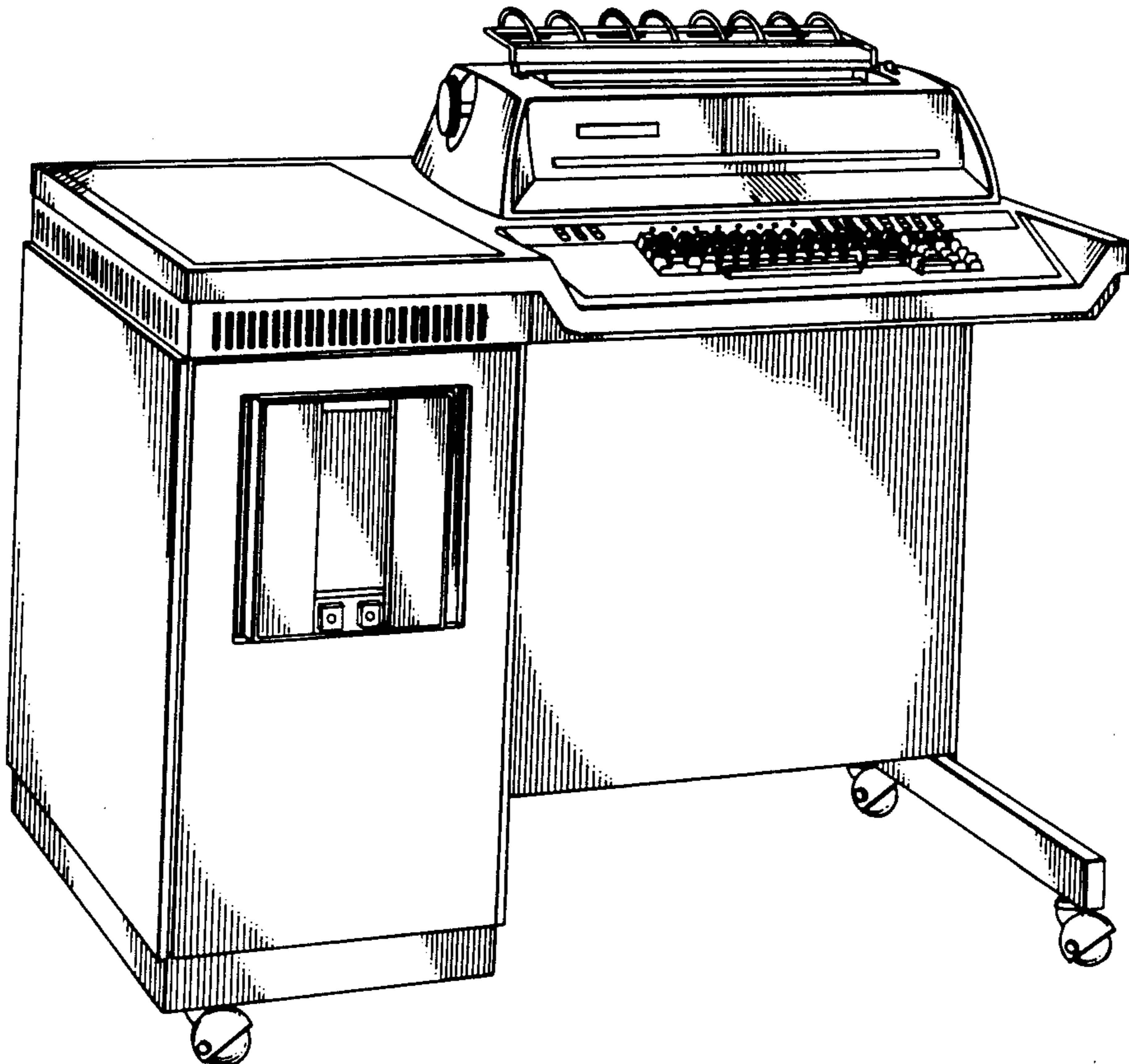
Primary Examiner—Susan J. Lucas  
Attorney, Agent, or Firm—James J. Ralabate

[57] CLAIM

The ornamental design for a processing system, as shown and described.

DESCRIPTION

FIG. 1 is a perspective view of a first embodiment of a processing system showing our new design;  
FIG. 2 is a front elevational view of the embodiment of FIG. 1;  
FIG. 3 is a right side elevational view of the embodiment of FIG. 1;  
FIG. 4 is a rear elevational view of the embodiment of FIG. 1;  
FIG. 5 is a left side elevational view of the embodiment of FIG. 1;  
FIG. 6 is a top plan view of the embodiment of FIG. 1;  
FIG. 7 is a front elevational view of a second embodiment of a processing system showing our new design;  
FIG. 8 is a right side elevational view of the embodiment of FIG. 7;  
FIG. 9 is a rear elevational view of the embodiment of FIG. 7;  
FIG. 10 is a top plan view of the embodiment of FIG. 7.  
FIG. 11 is a front elevational view of a third embodiment of a processing system showing our new design;  
FIG. 12 is a rear elevational view of the embodiment of FIG. 11;  
FIG. 13 is a left side elevational view of the embodiment of FIG. 11; and  
FIG. 14 is a top plan view of the embodiment of FIG. 11.



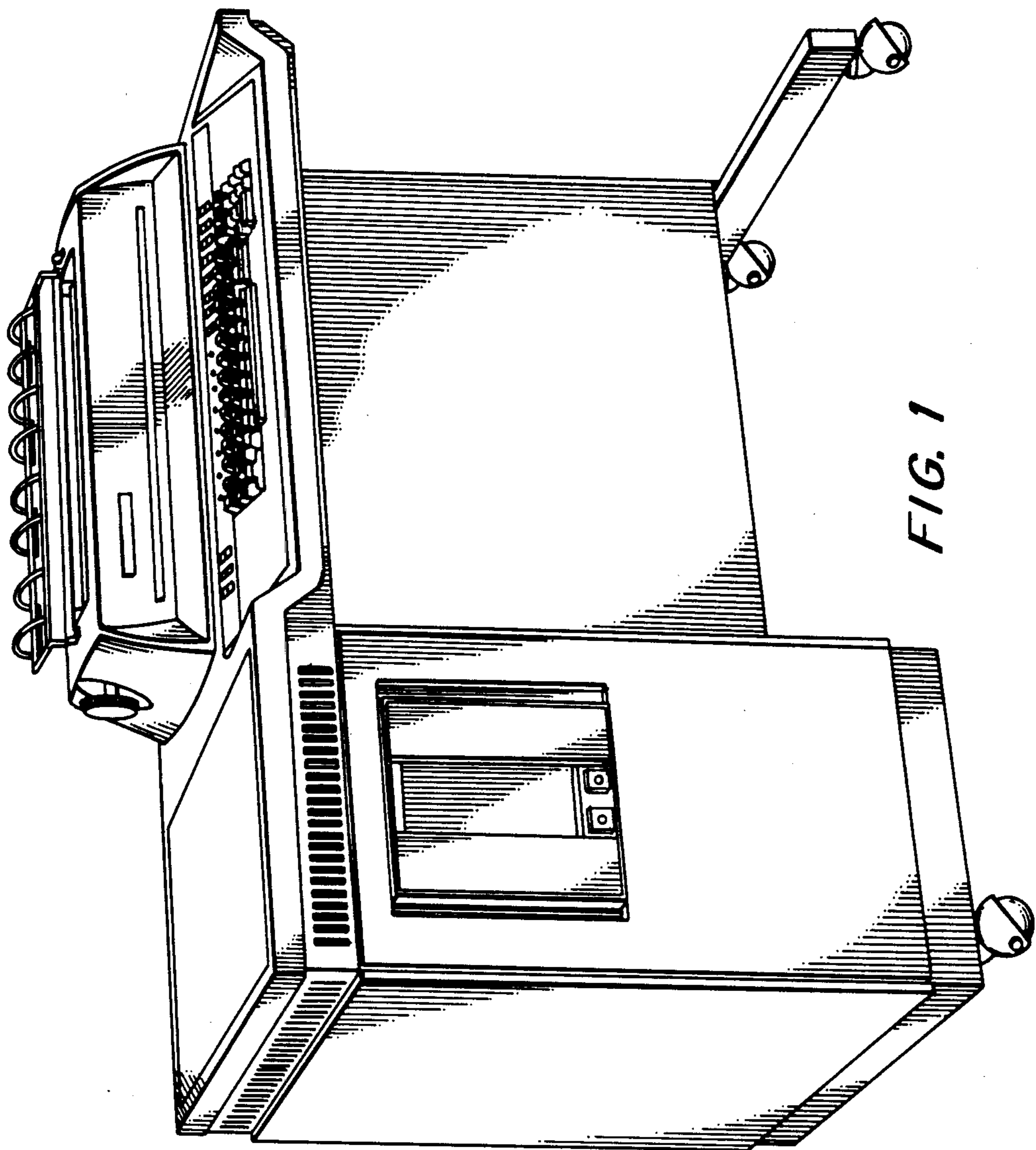


FIG. 1

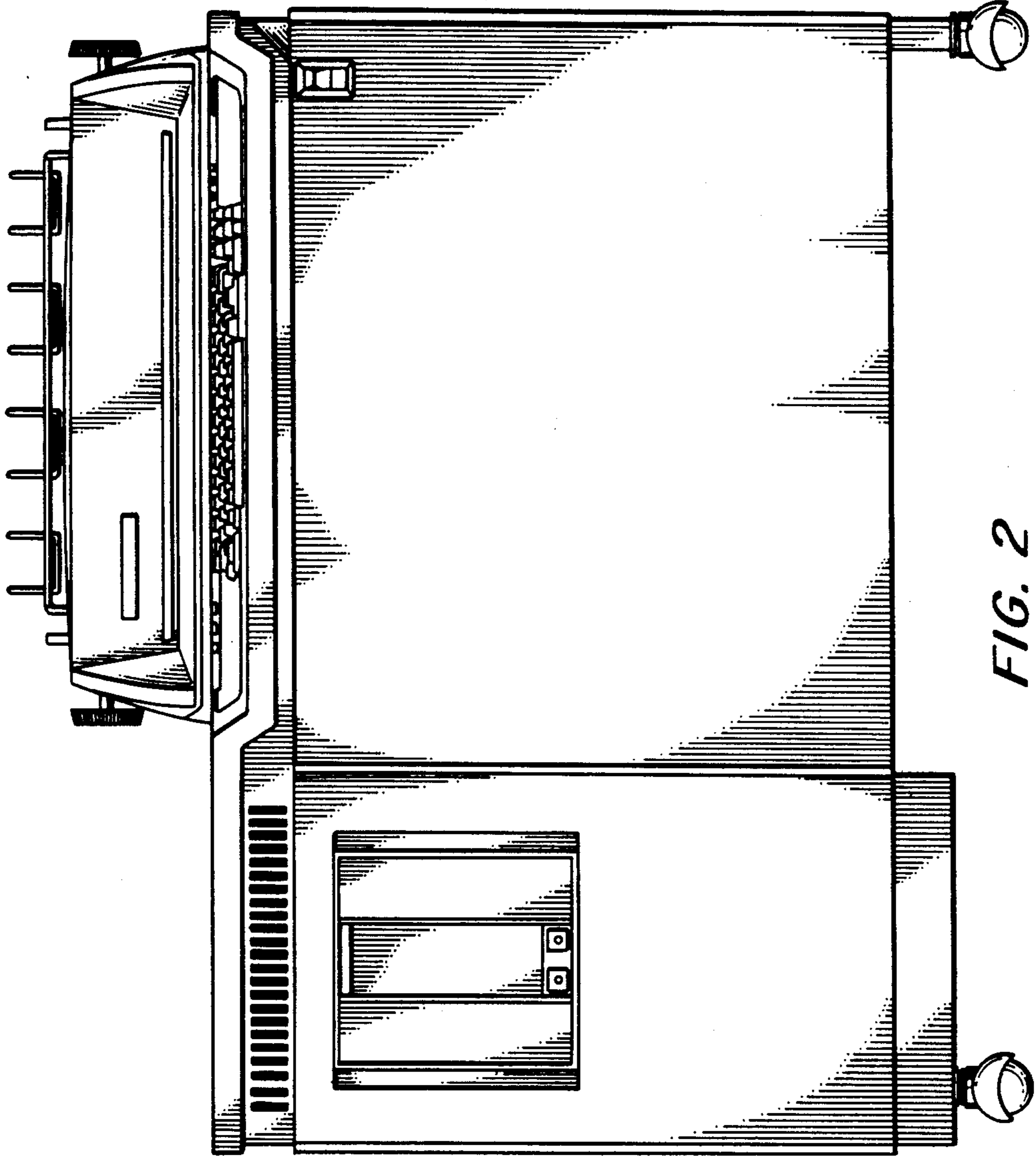
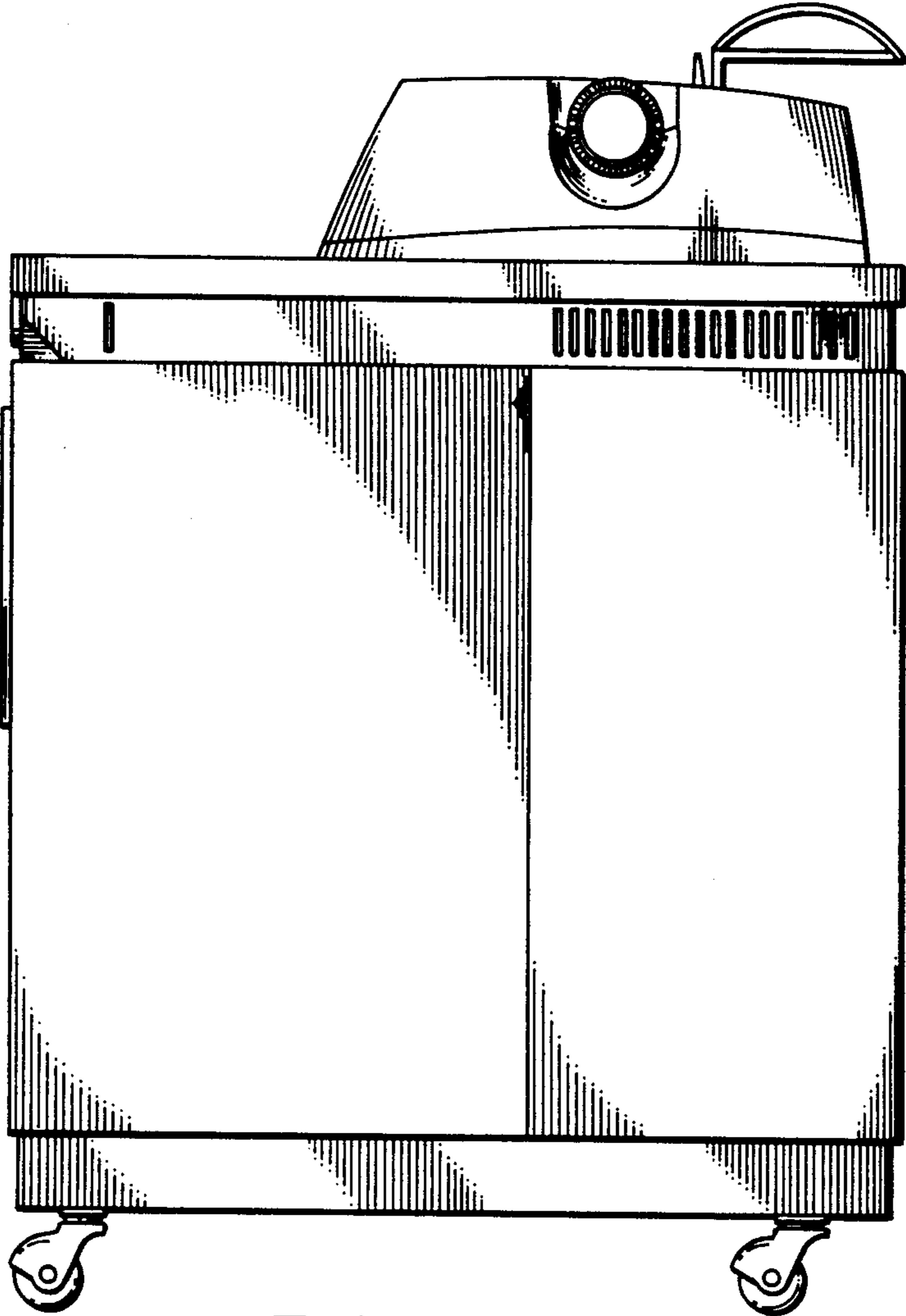


FIG. 2



**FIG. 3**

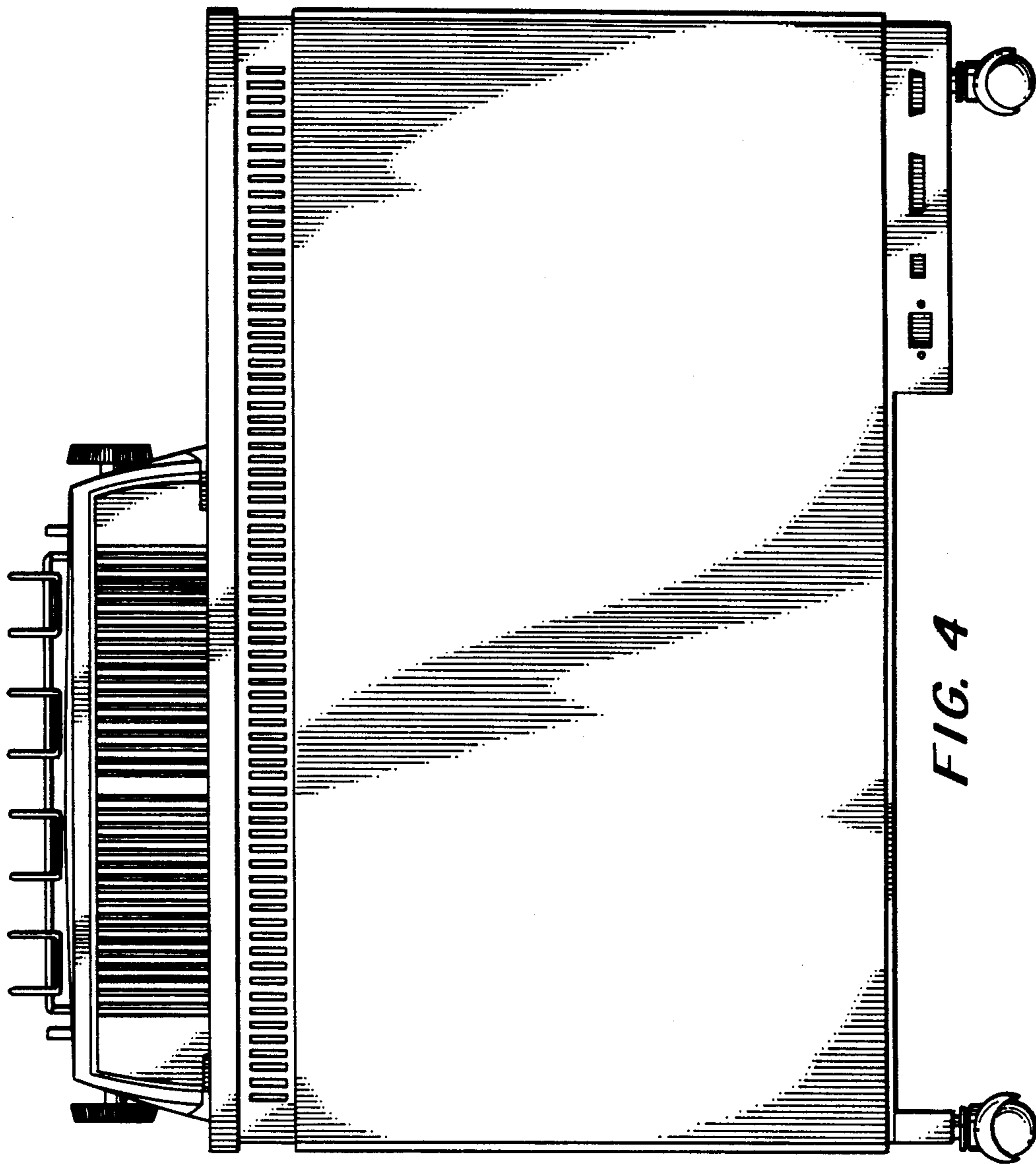
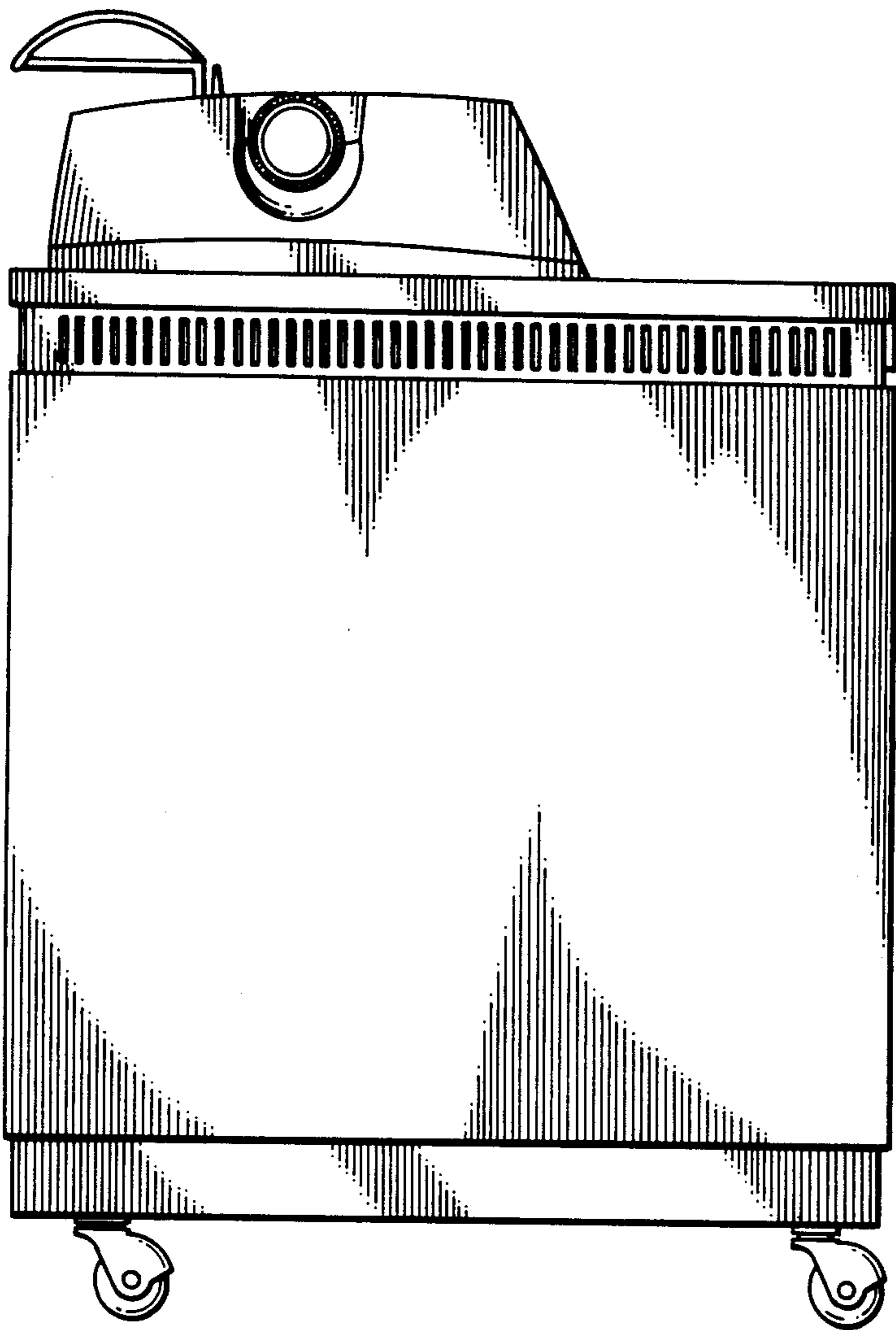


FIG. 4





*FIG. 5*

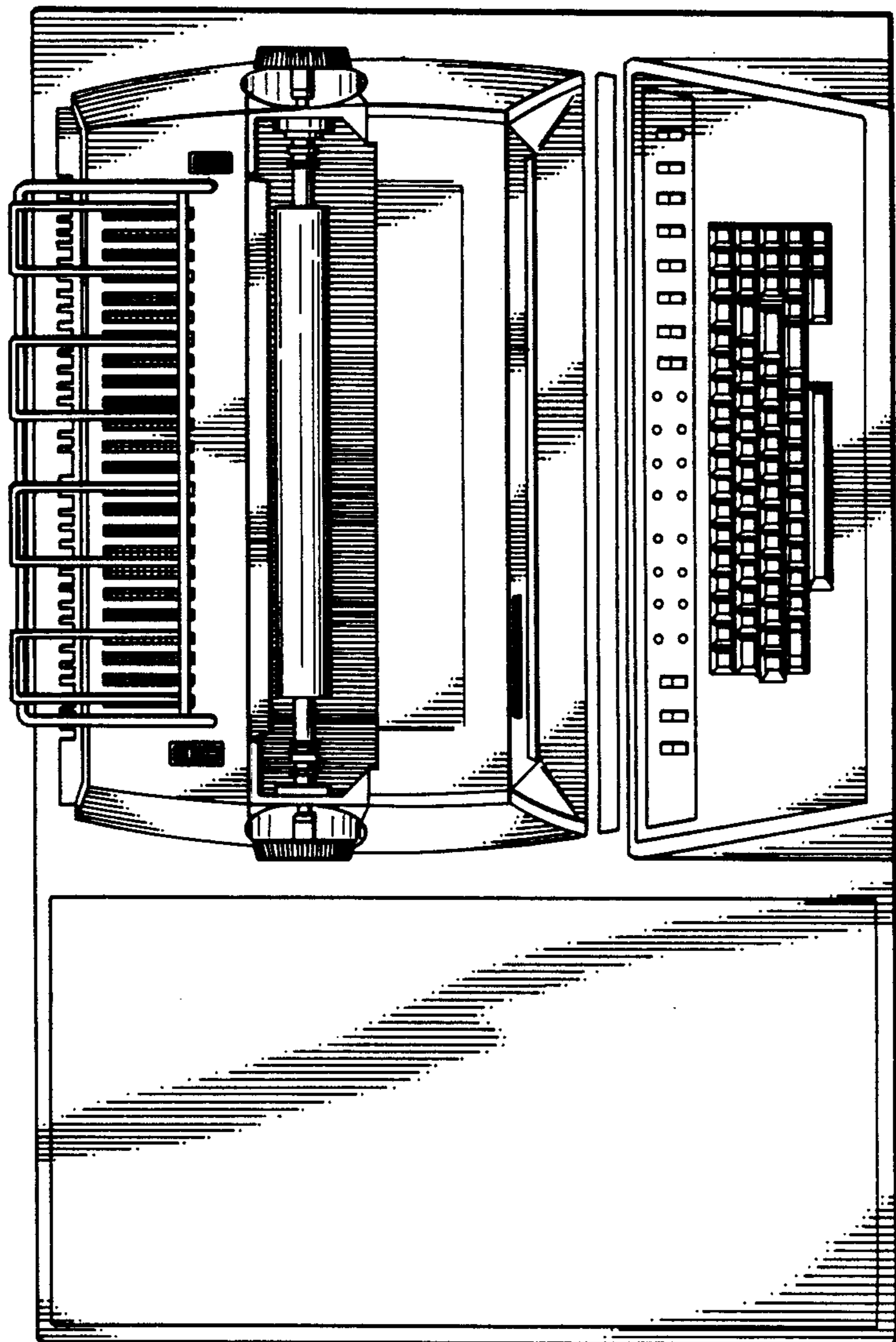


FIG. 6

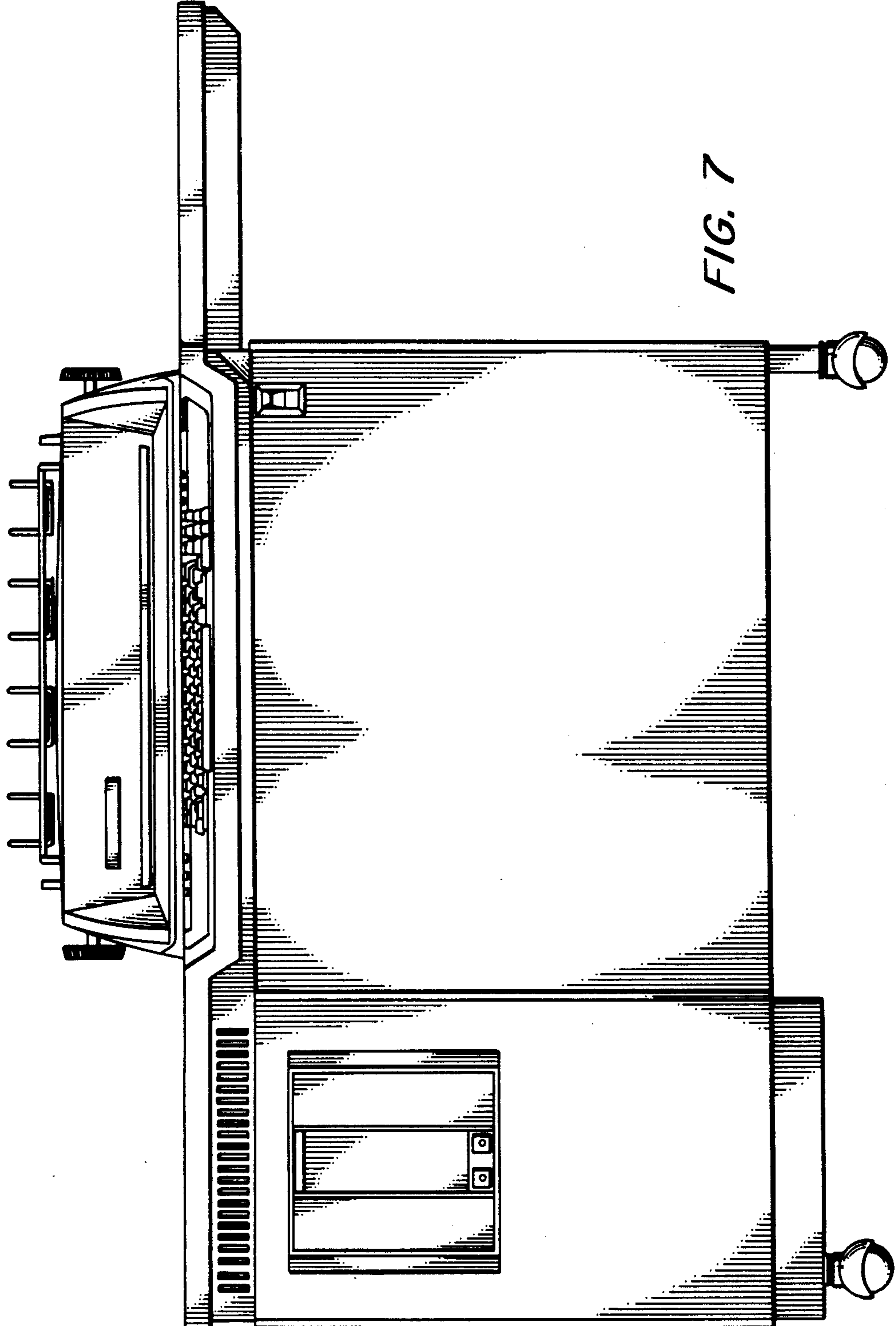
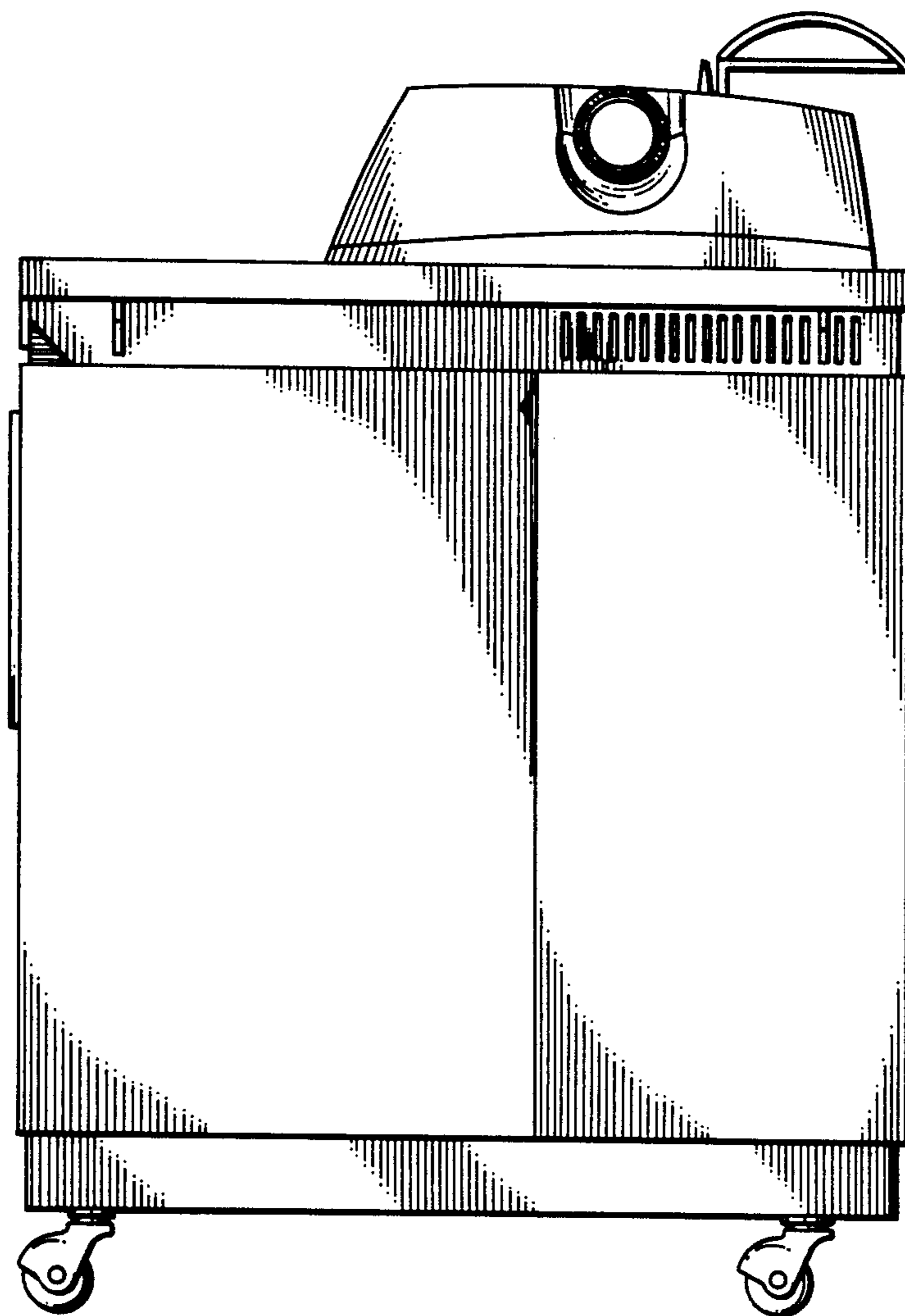


FIG. 7





*FIG. 8*

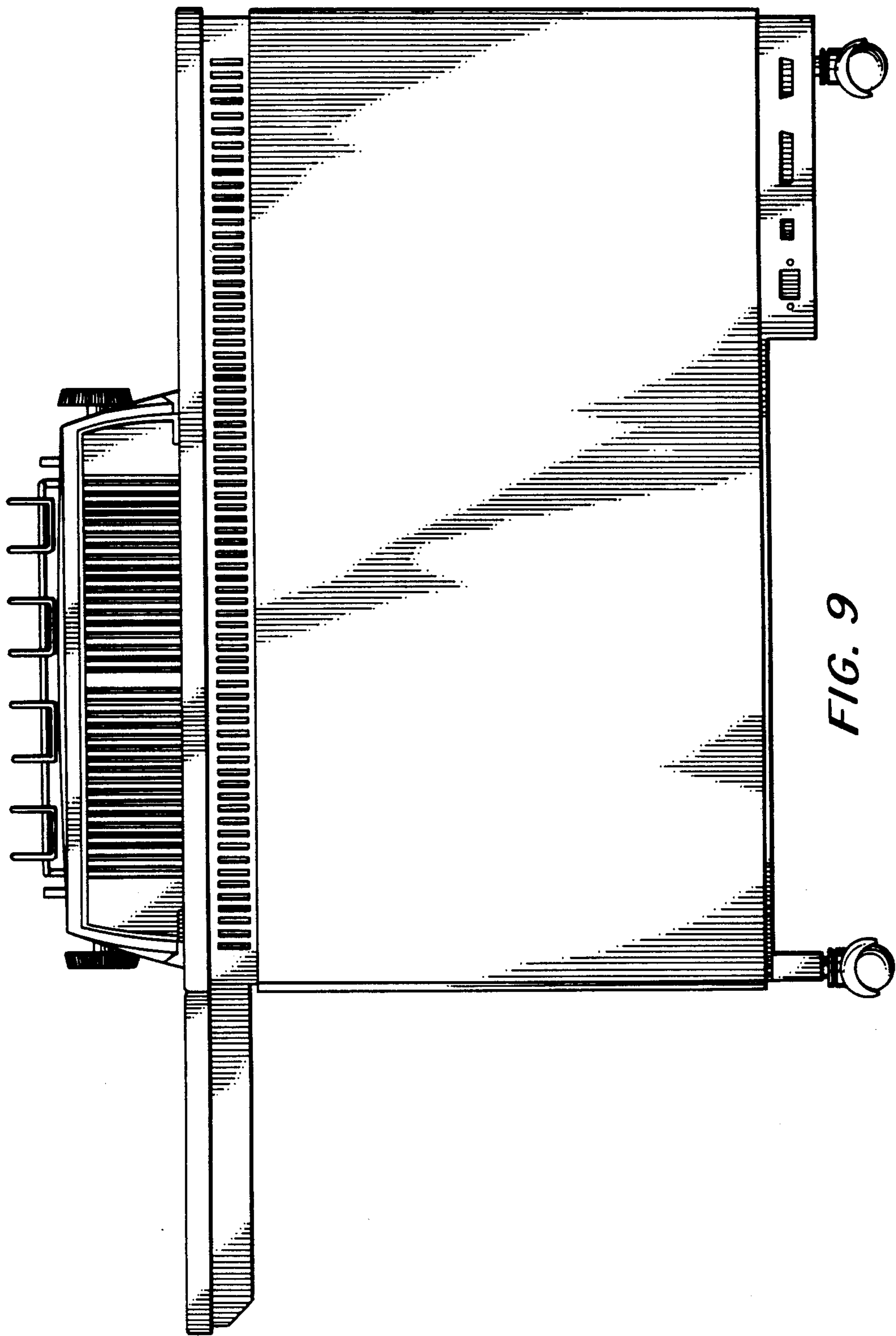


FIG. 9

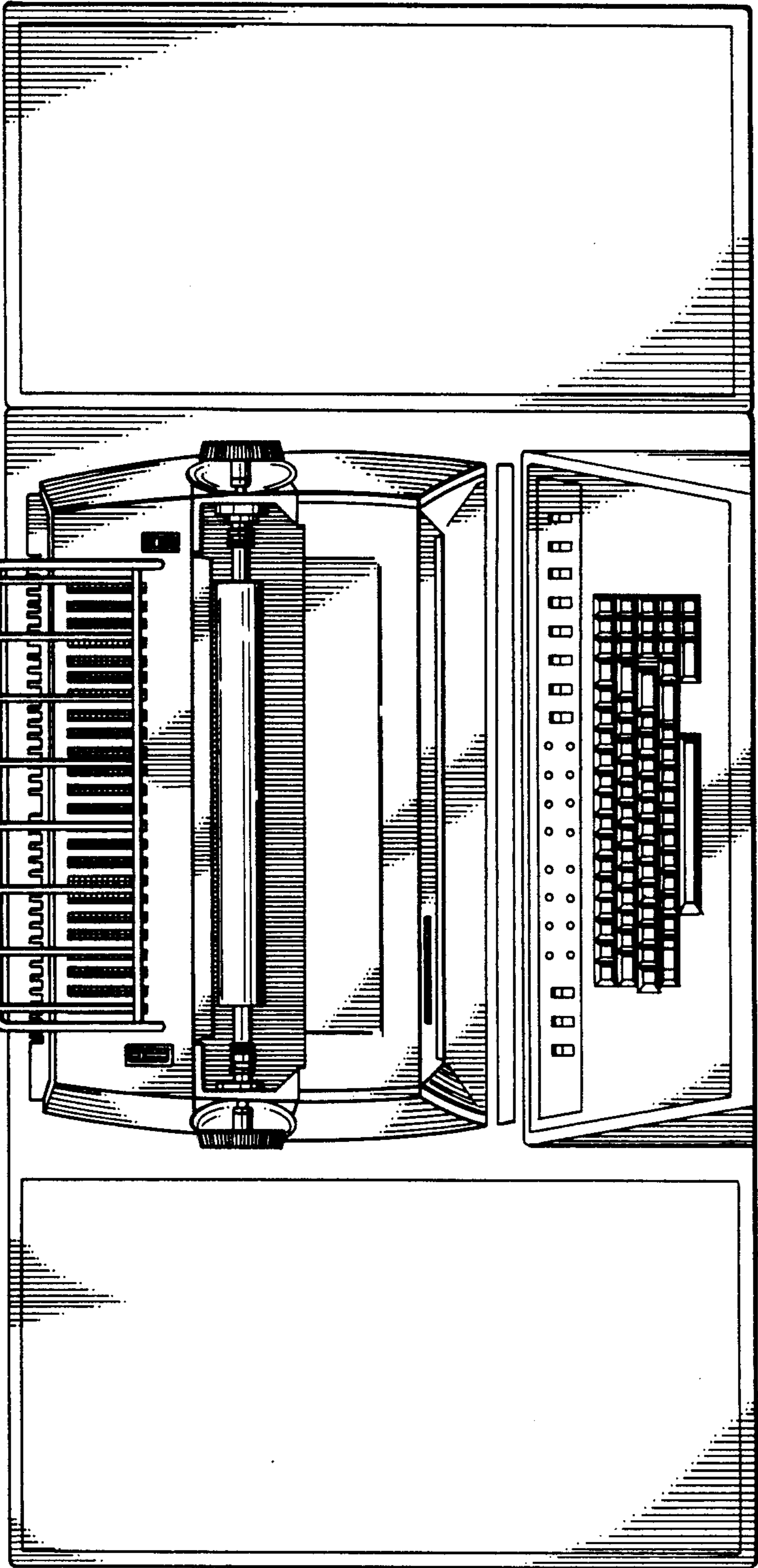


FIG. 10

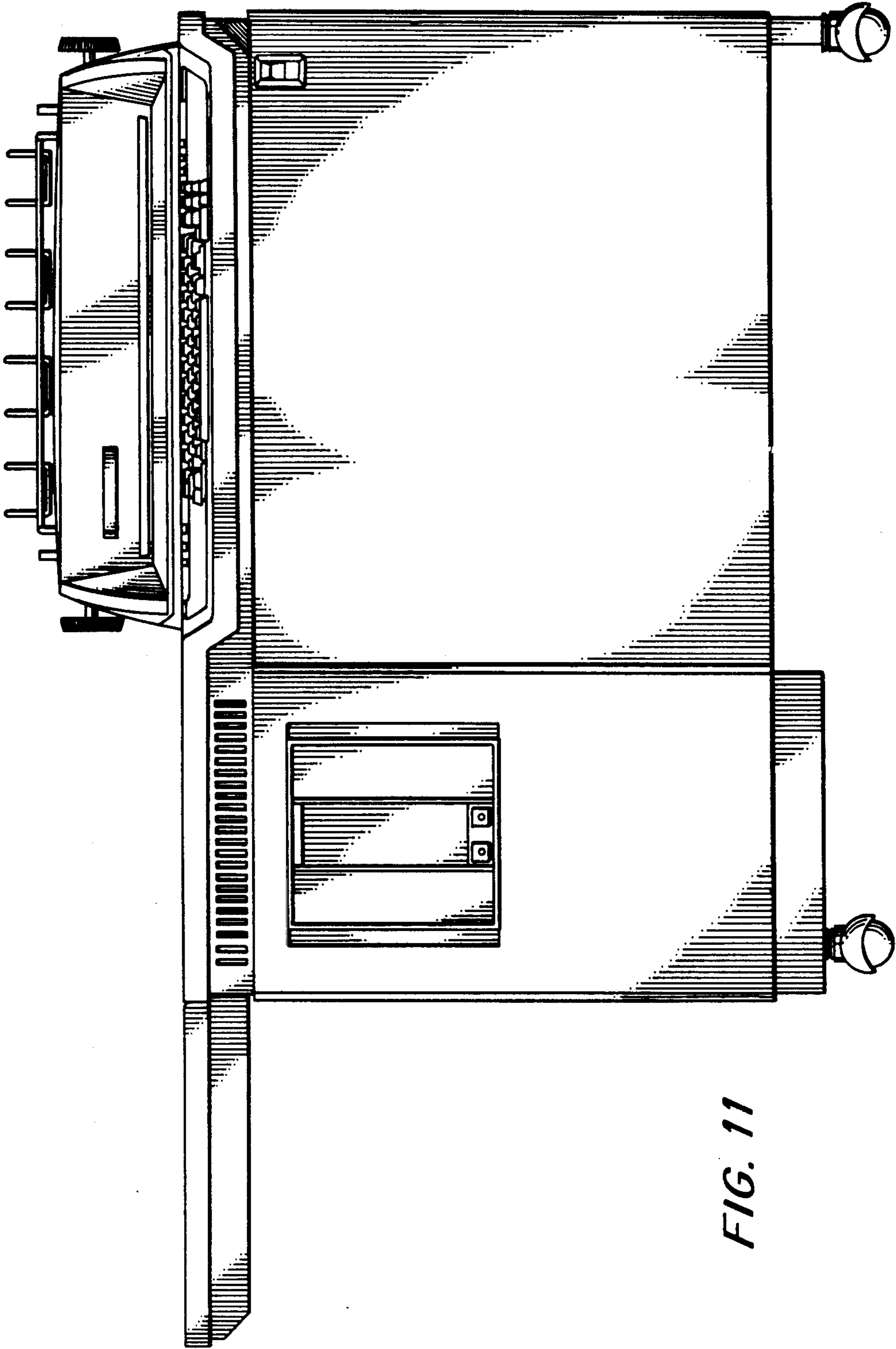


FIG. 11

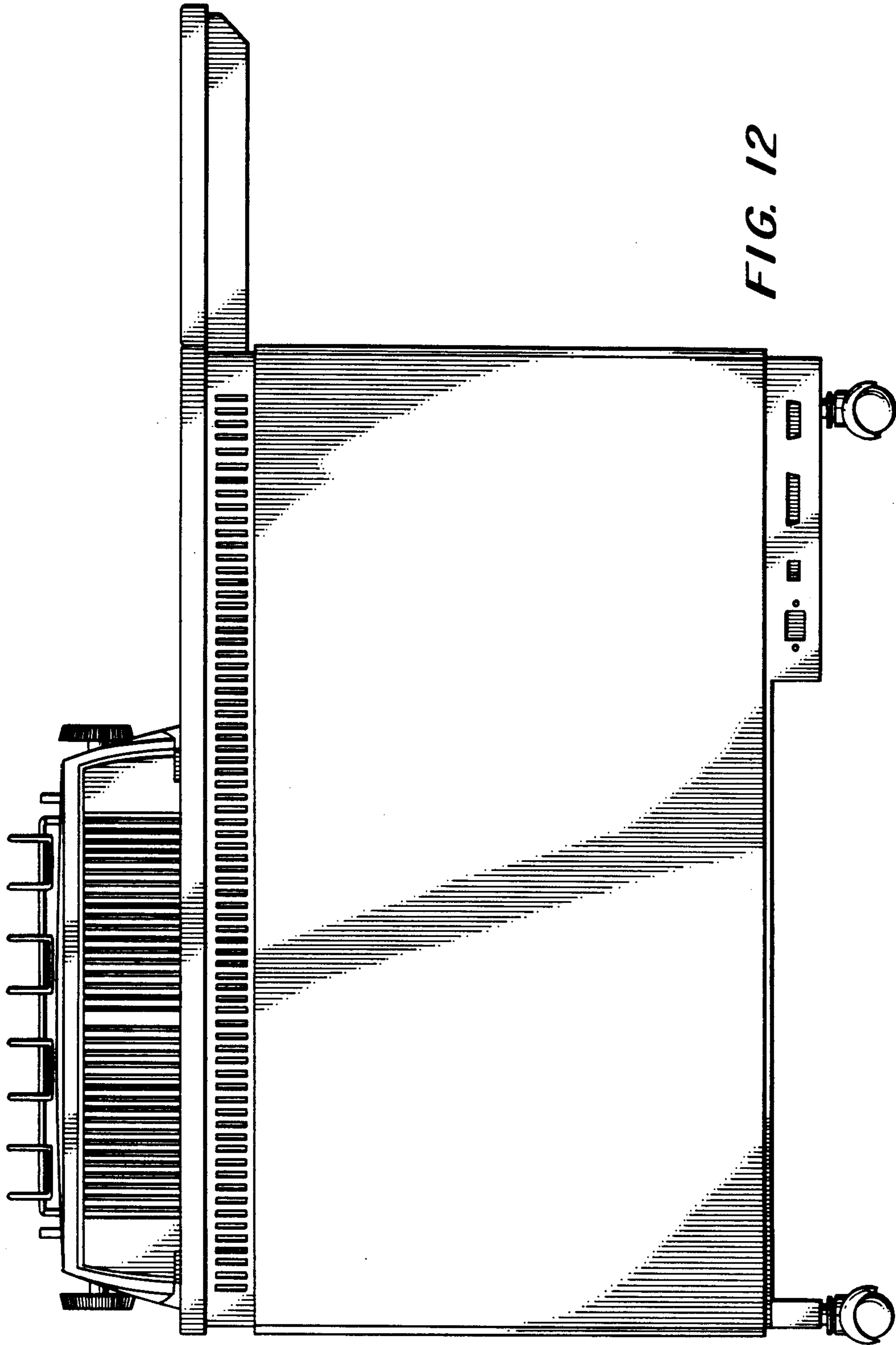
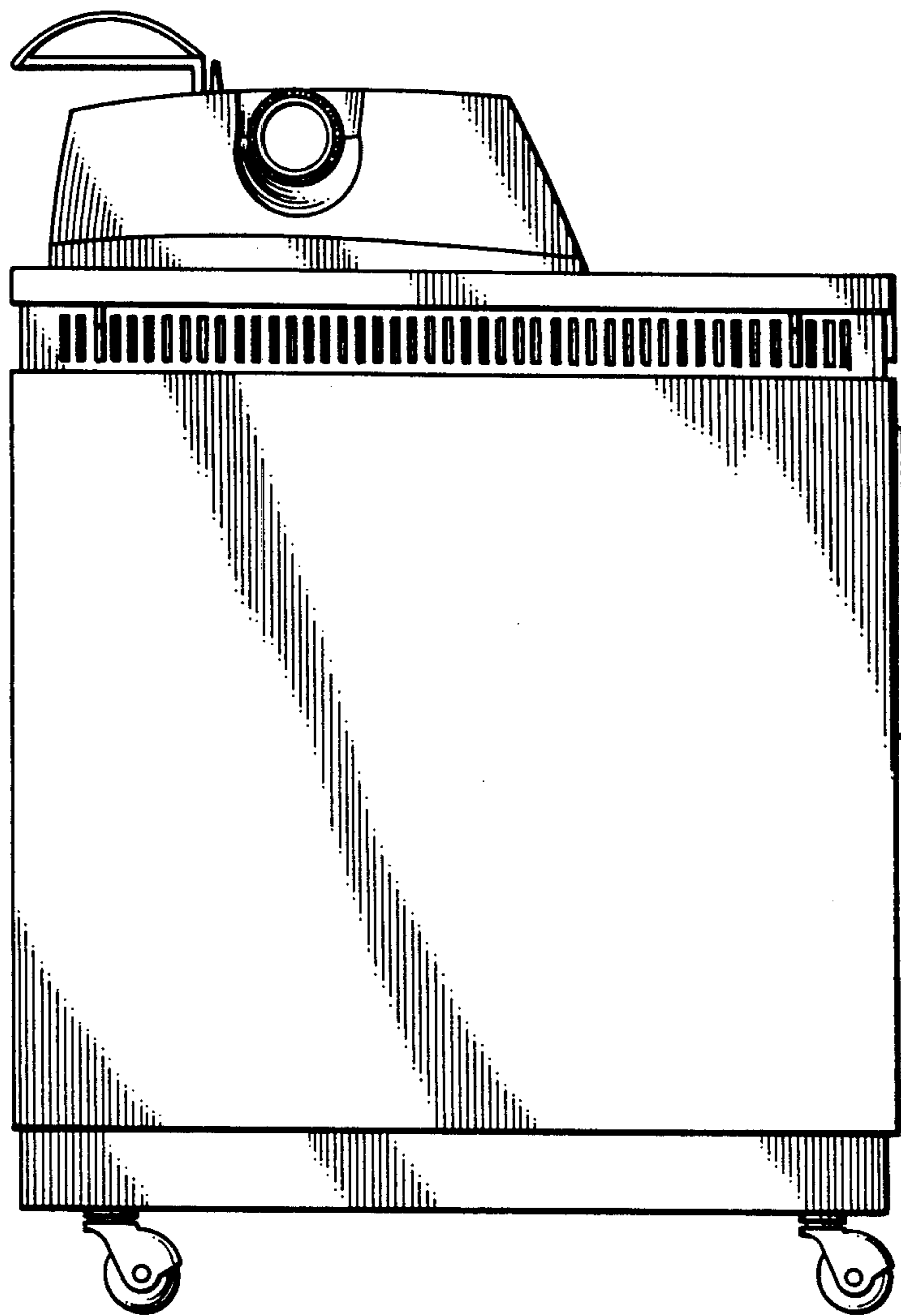


FIG. 12





*FIG. 13*

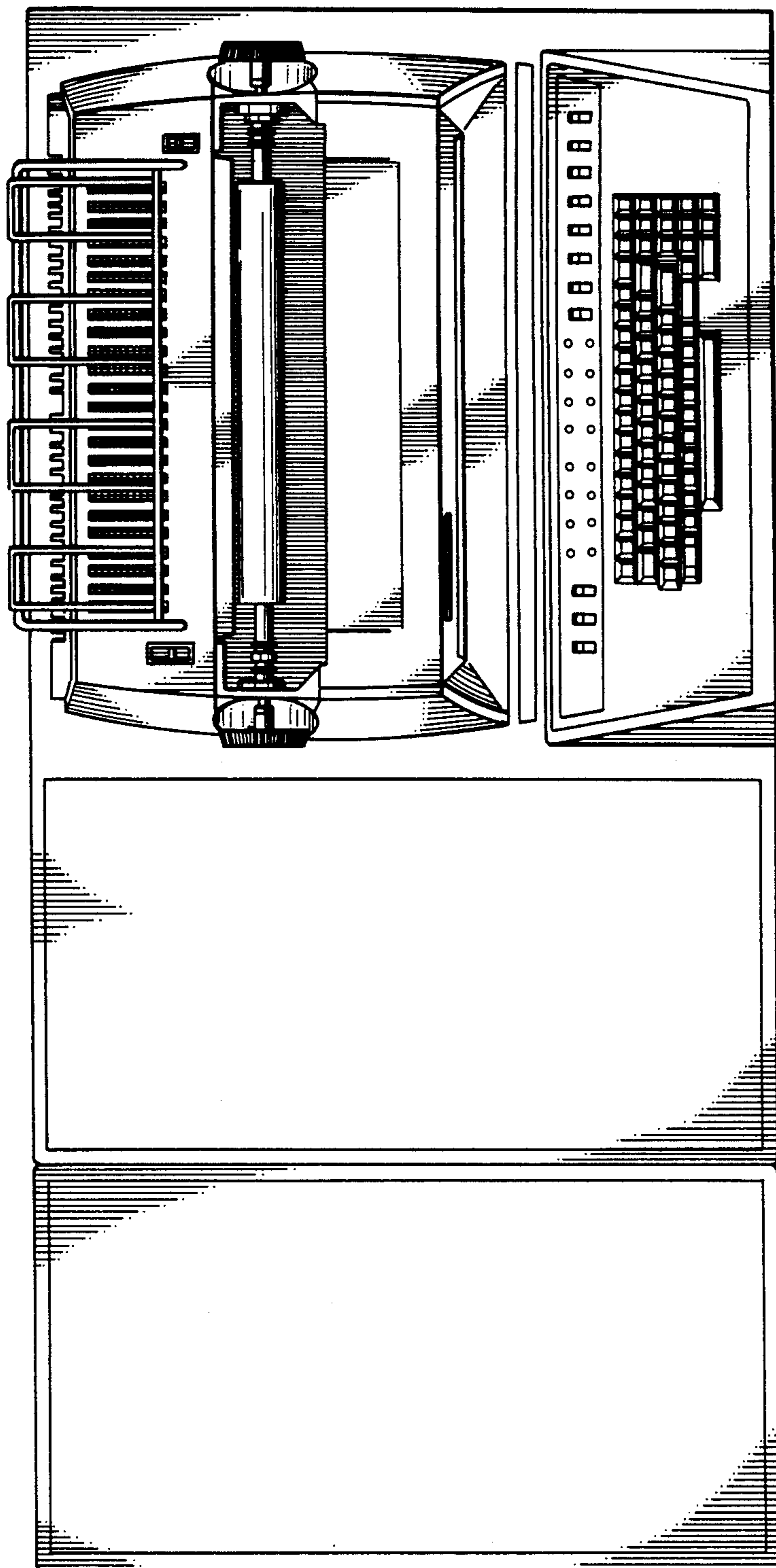


FIG. 14