

[54] FOLDABLE DISPLAY CASE FOR WATCHBAND CALENDAR CARDS OR THE LIKE

[76] Inventor: Patrick Petrie, 12210 Malone, Los Angeles, Calif. 90066

[**] Term: 14 Years

[21] Appl. No.: 801,562

[22] Filed: May 31, 1977

[51] Int. Cl. D3-01

[52] U.S. Cl. D87/3 A; D19/20

[58] Field of Search D87/3 R, 3 A, 3 B; 150/35, 38, 39, 34; D19/20, 91; 40/122, 120

[56] References Cited

U.S. PATENT DOCUMENTS

D. 194,821	3/1963	Watko	D19/91
1,171,234	2/1916	O'Hara	D87/3 A
3,198,339	8/1965	Stolarz	D19/85
3,943,645	3/1976	Viesturs	150/39
3,970,130	7/1976	Casey	150/39

Primary Examiner—Bruce W. Dunkins

Assistant Examiner—George P. Word

Attorney, Agent, or Firm—Ralph B. Pastoriza

[57] CLAIM

The ornamental design for a foldable display case for watchband calendar cards or the like, substantially as shown and described.

DESCRIPTION

FIG. 1 is a perspective view of a foldable display case for watchband calendar cards or the like showing my new design;

FIG. 2 is a left side elevational view thereof;

FIG. 3 is a top plan view thereof;

FIG. 4 is a bottom plan view thereof;

FIG. 5 is a rear elevational view thereof;

FIG. 6 is a top plan view of the interior thereof in unfolded position;

FIG. 7 is a bottom plan view of the exterior thereof in unfolded position;

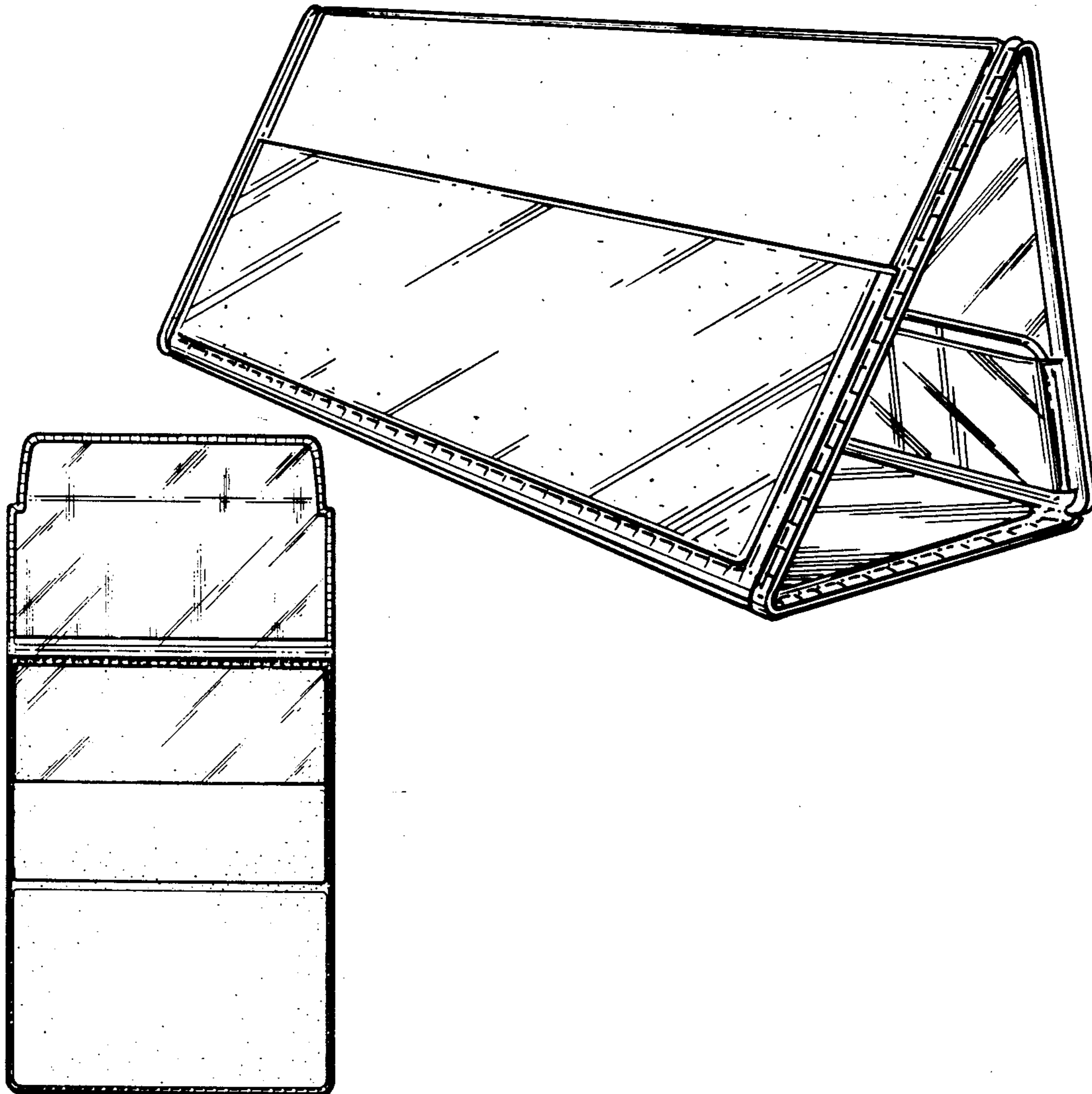
FIG. 8 is a side elevational view thereof in unfolded position;

FIG. 9 is a front elevational view thereof in completely folded position;

FIG. 10 is a rear elevational view thereof;

FIG. 11 is a front edge elevational view thereof; and

FIG. 12 is a left side elevational view thereof.



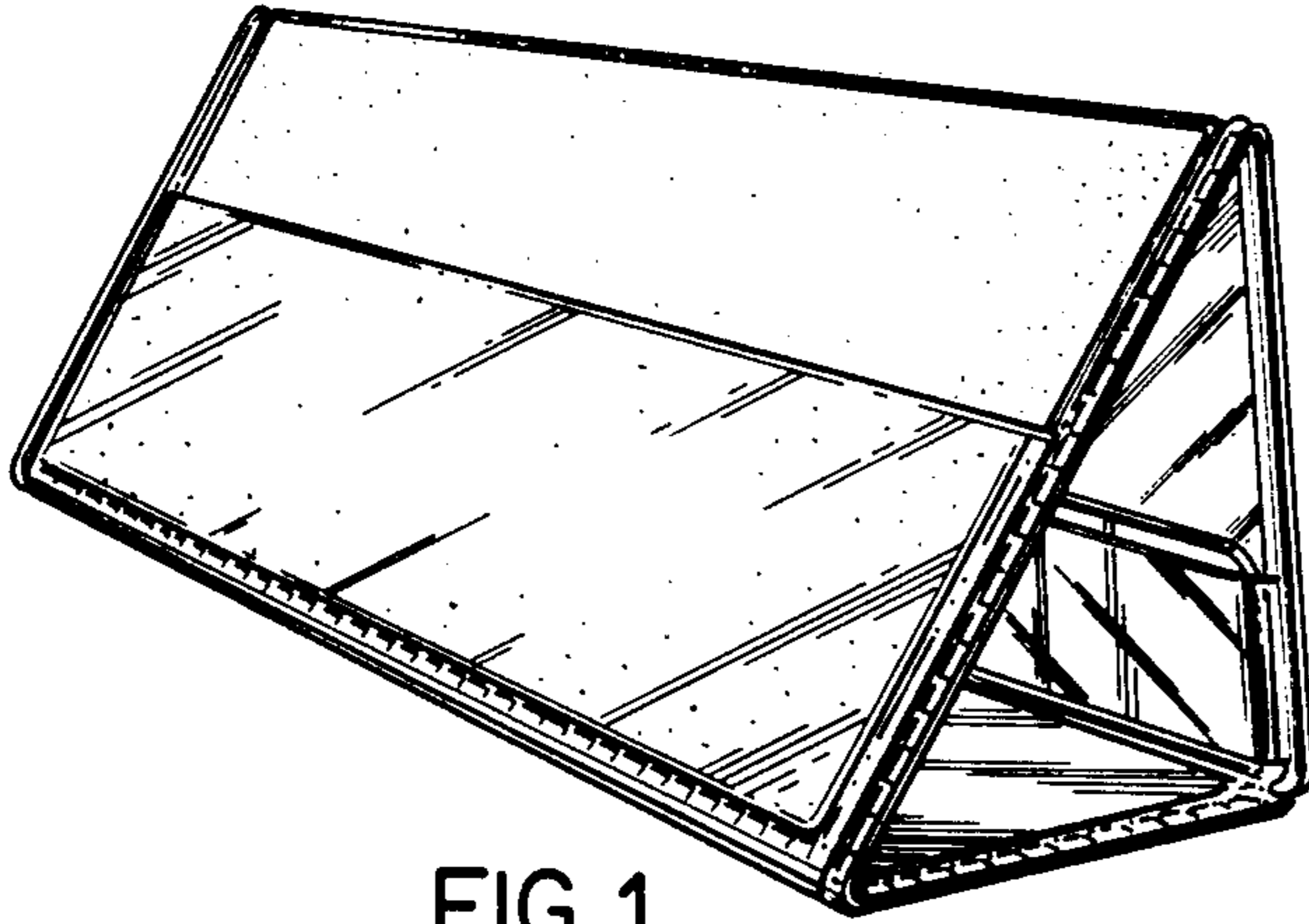


FIG. 1

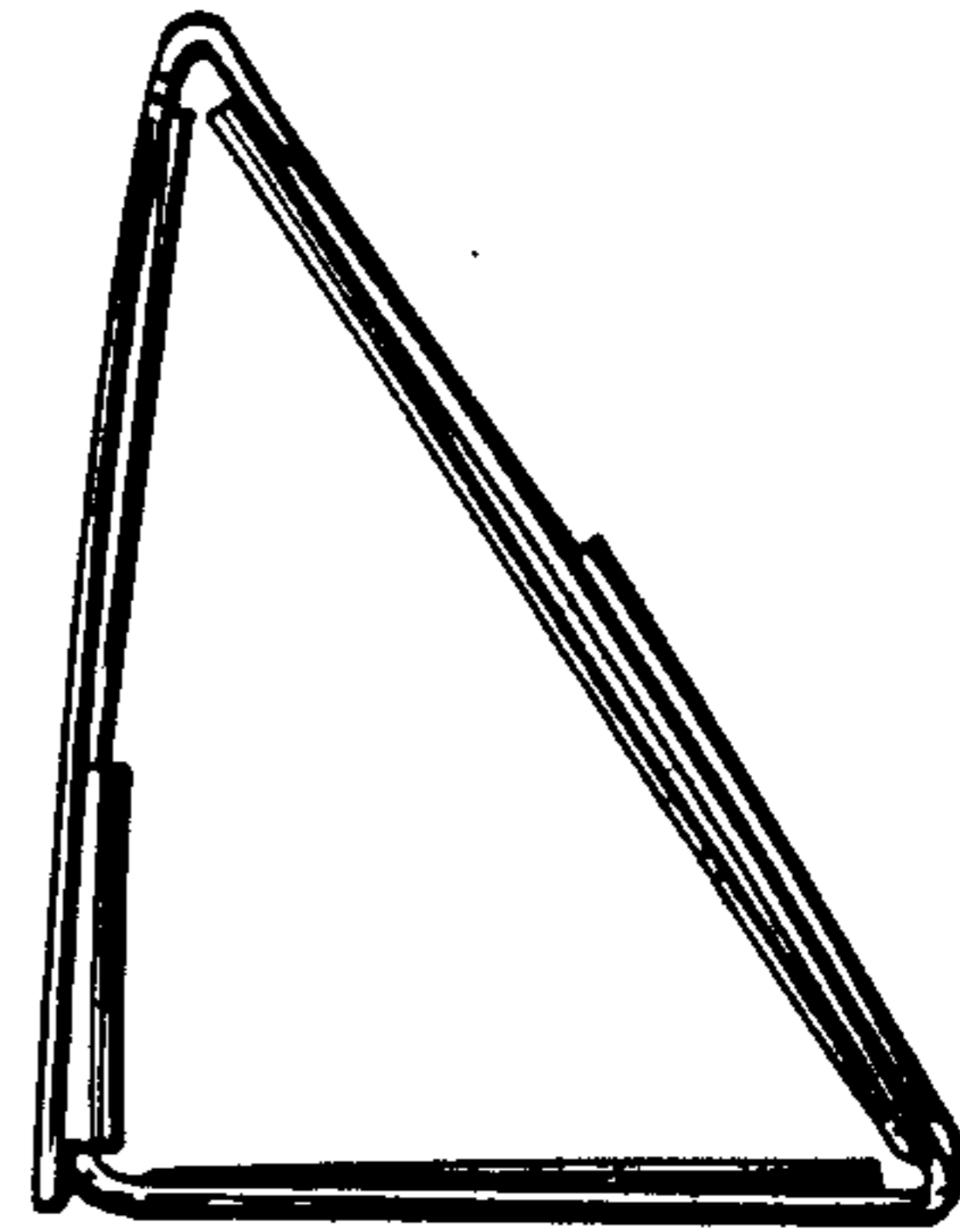


FIG. 2

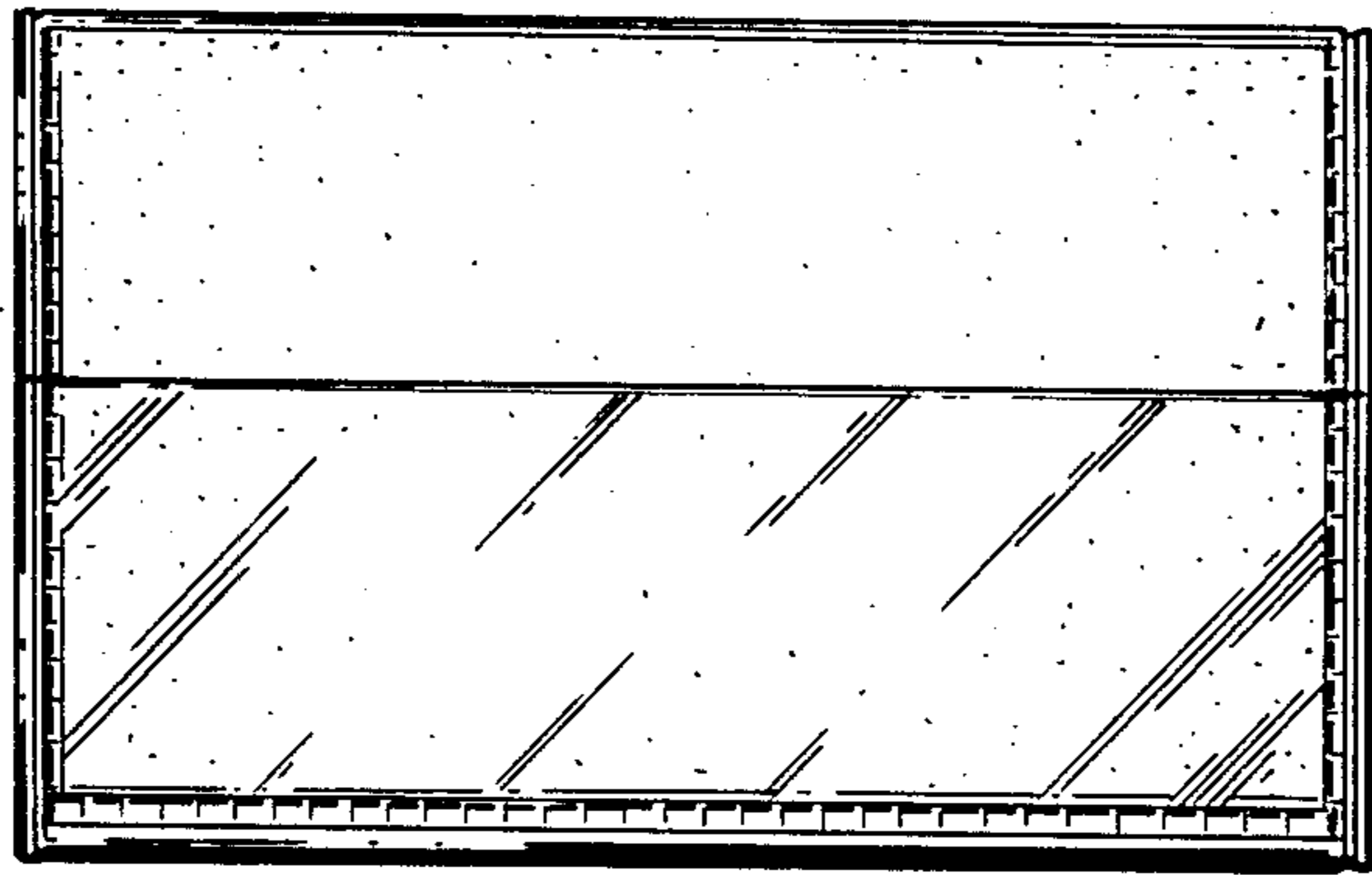


FIG. 3

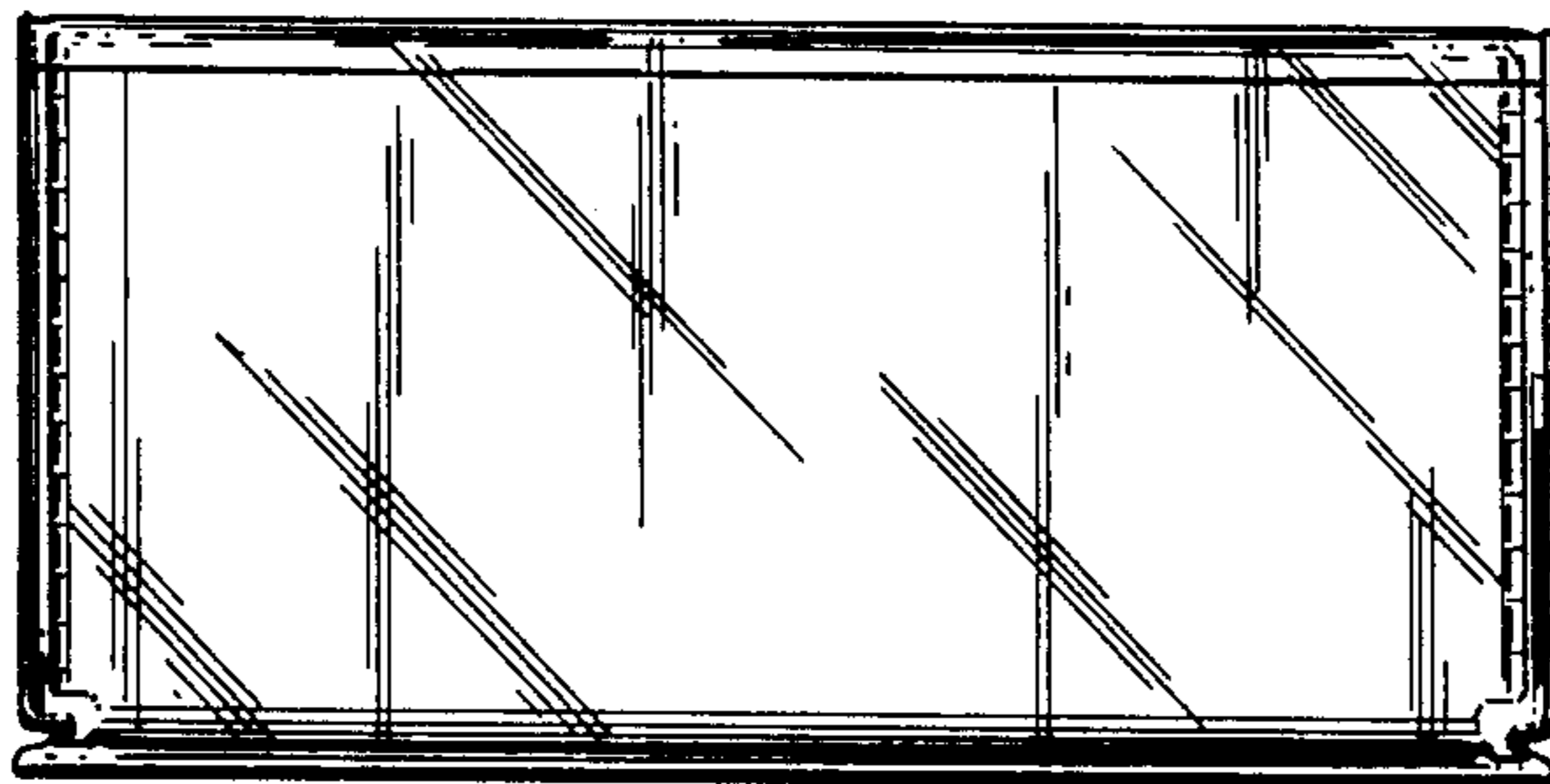


FIG. 4



FIG. 5

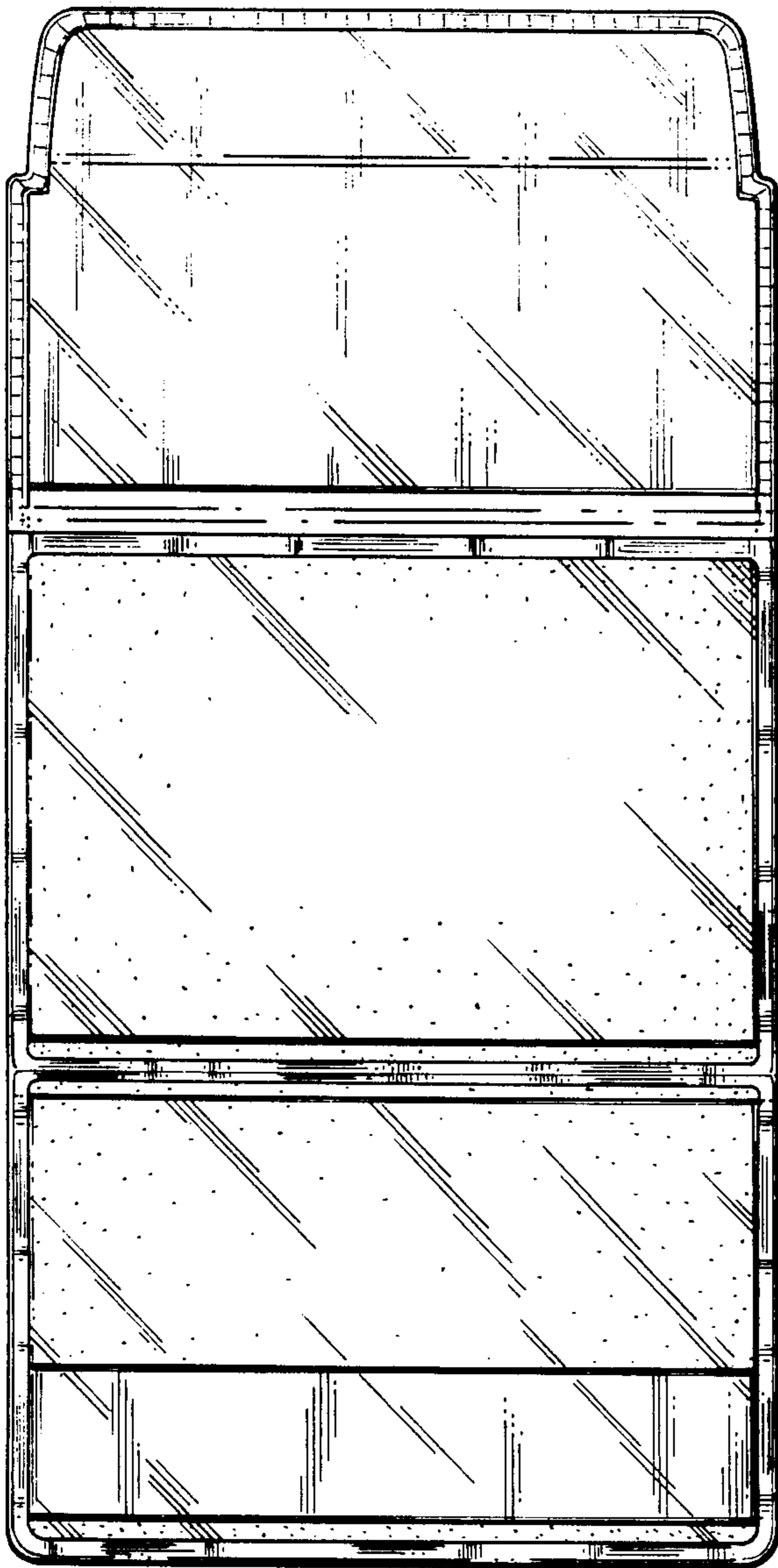


FIG. 6

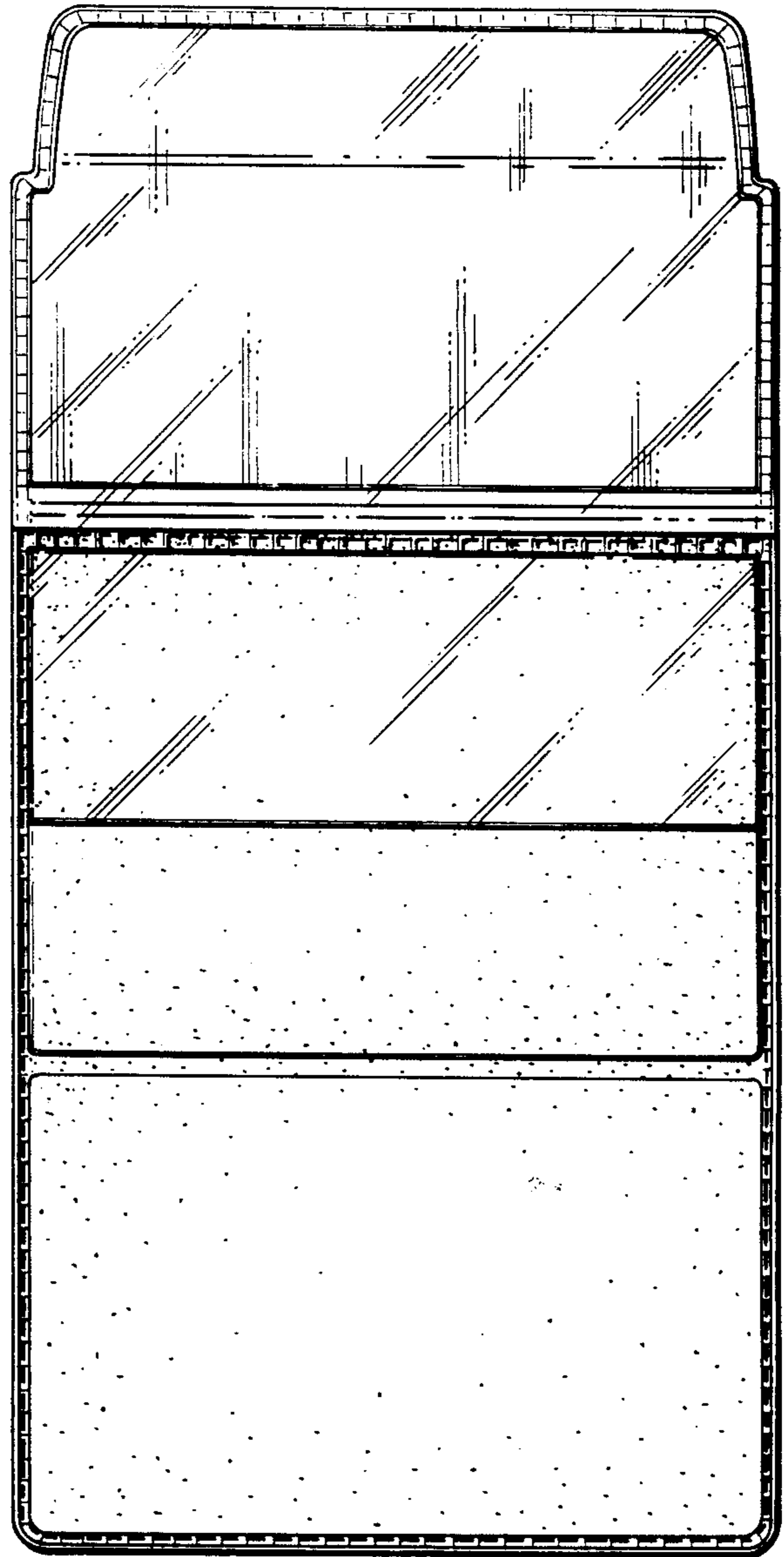


FIG. 7

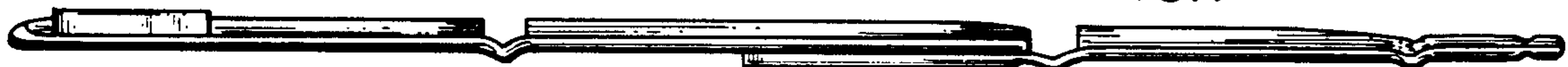


FIG. 8

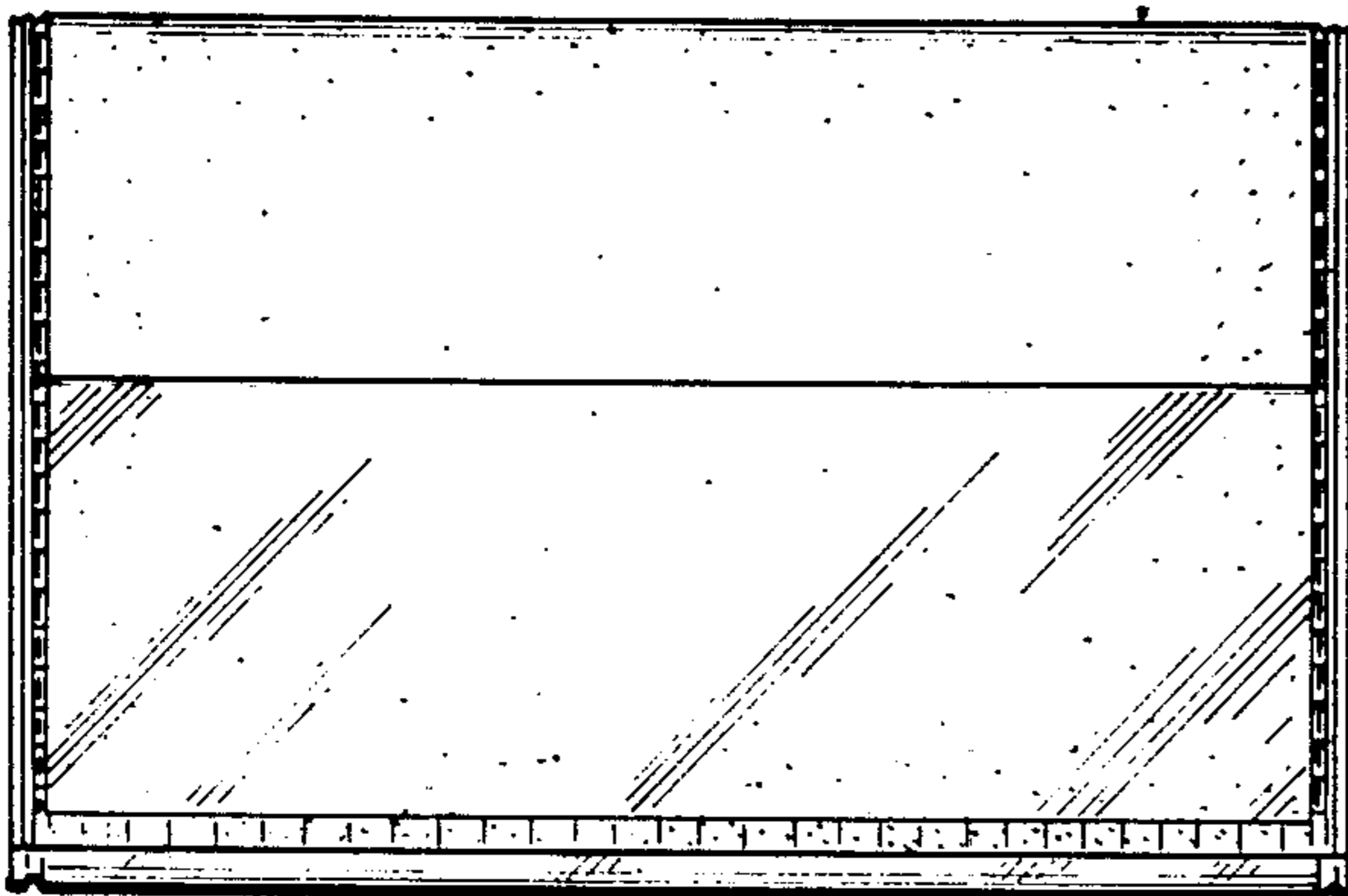


FIG. 9

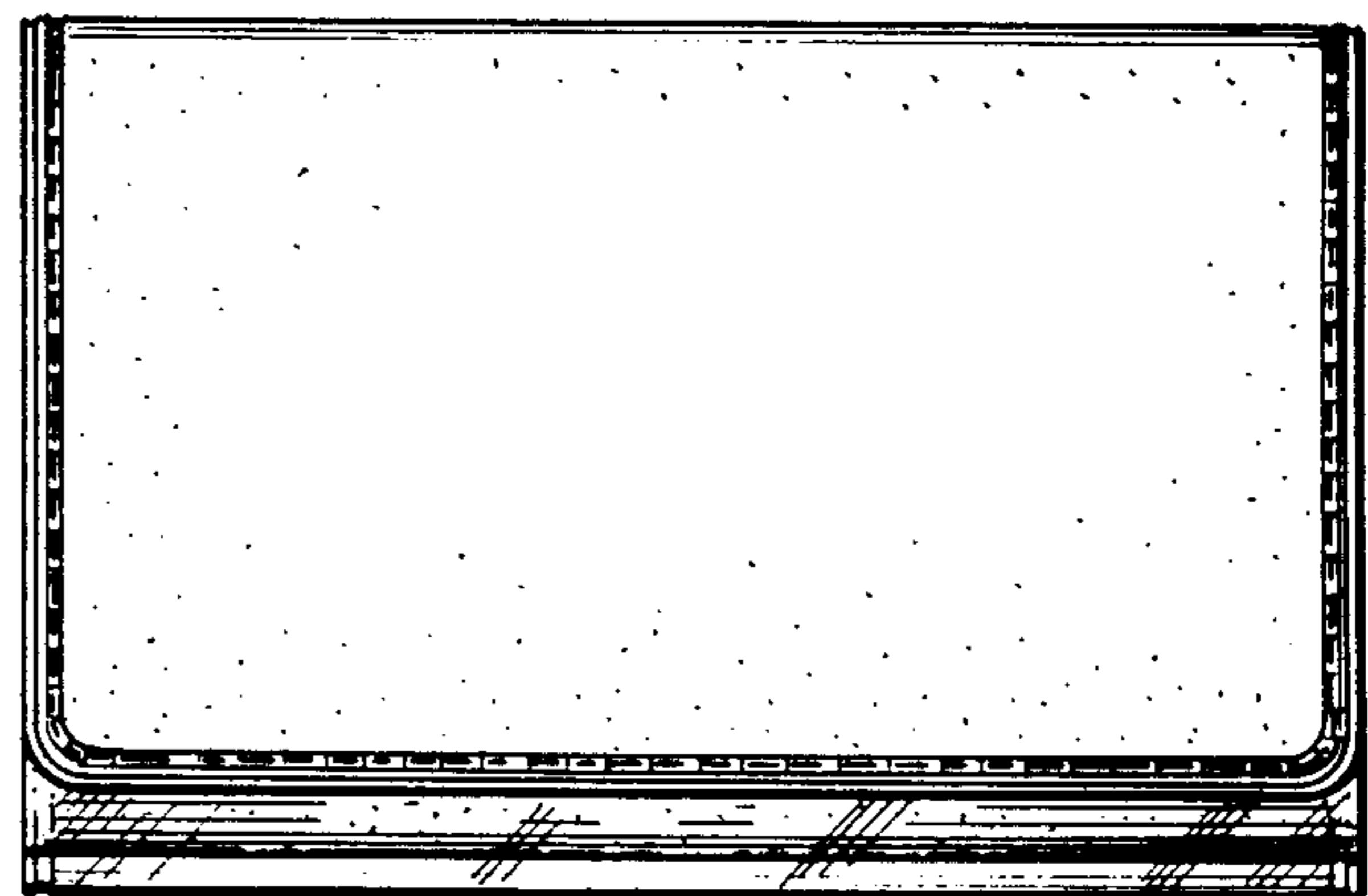


FIG. 10



FIG. 11



FIG. 12