

[54] PHYSICAL EXERCISER

[76] Inventor: Earl M. Shugarman, 2652 San Joaquin Hills Rd., Corona del Mar, Calif. 92626

[**] Term: 14 Years

[21] Appl. No.: 790,201

[22] Filed: Apr. 25, 1977

[51] Int. Cl. D21-02

[52] U.S. Cl. D34/5 K

[58] Field of Search D34/5 K; 272/93, 96, 272/109, 68, 117, 125, 126, 135, 136, 144, 122

[56] References Cited

PUBLICATIONS

Supplement to Recreation Management, 4-1972, front cover, Deluxe Weight Bench.

Marcy Catalog, 12-1970, p. 44, Leg Flexion & Extension Machine.

Sporting Goods Dealer, 2-1977, p. 120, Exercise Board at top center of page.

Primary Examiner—Joel Stearman

Assistant Examiner—C. A. Rademaker

Attorney, Agent, or Firm—Louis J. Knobbe

[57] CLAIM

The ornamental design for a physical exerciser, as shown and described.

DESCRIPTION

FIG. 1 is a right side elevational view of a physical exerciser showing my new design, the side opposite is substantially a mirror image;

FIG. 2 is the top plan view thereof;

FIG. 3 is the bottom plan view thereof;

FIG. 4 is a front elevational view thereof; and

FIG. 5 is a rear elevational view thereof.

Portions of the hand grip members have been shown in fragment in FIG. 3 for ease of illustration.

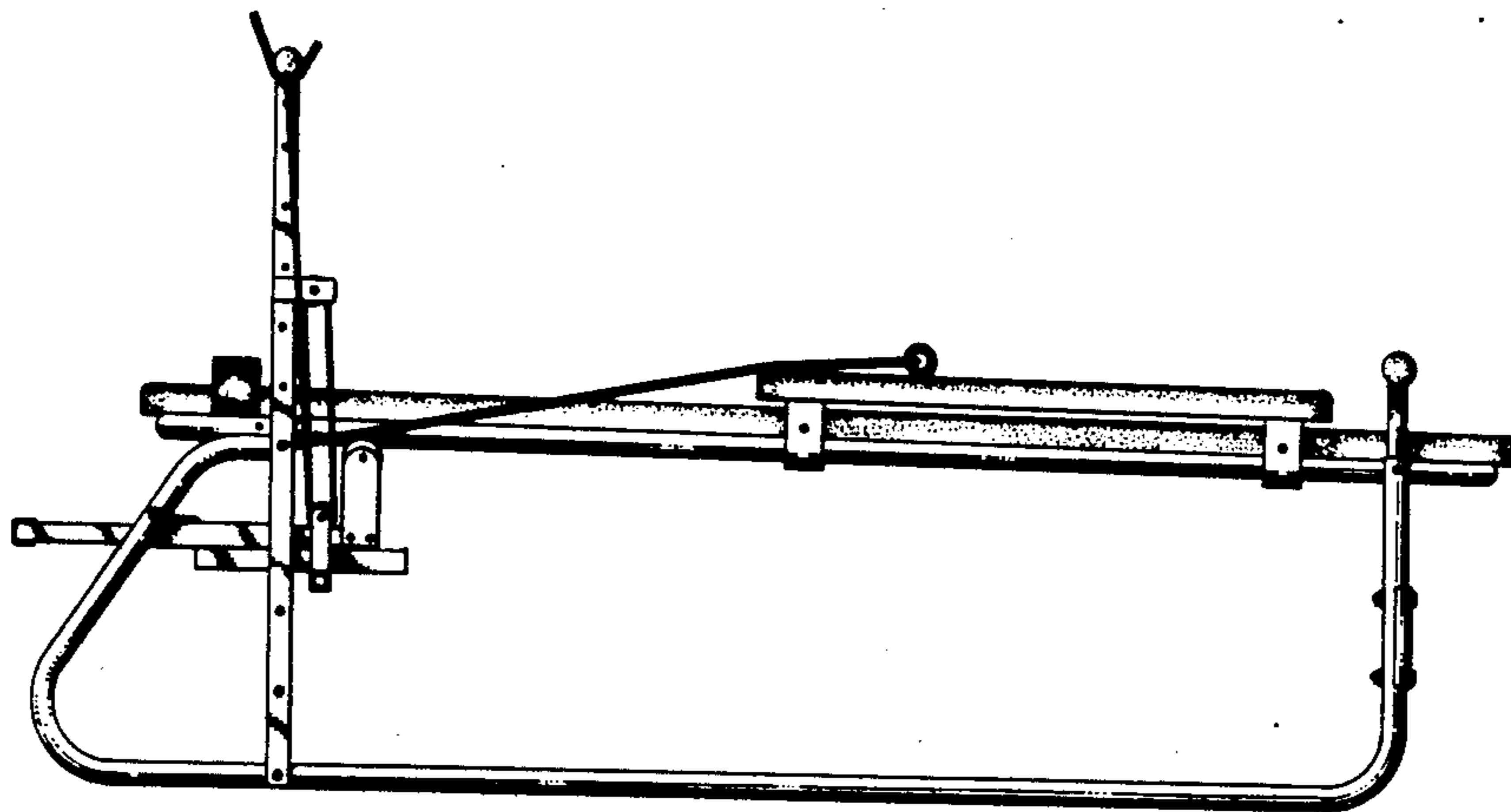
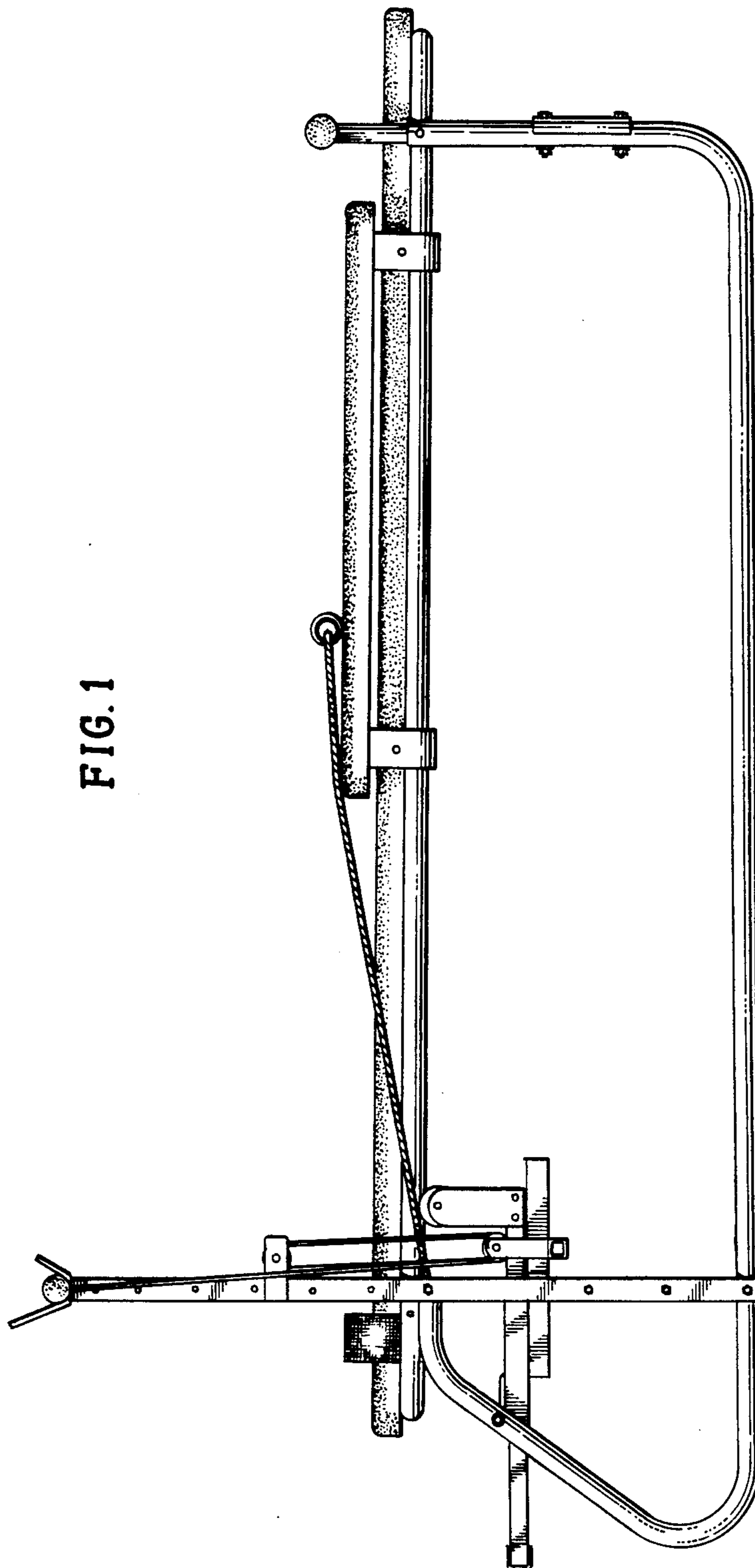


FIG. 1



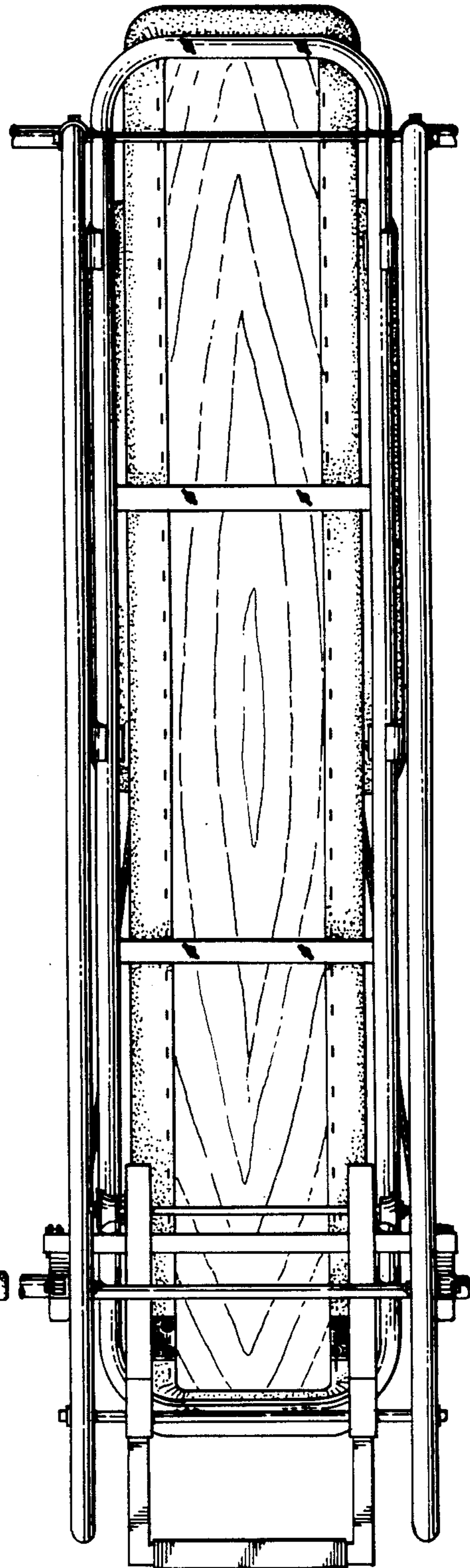
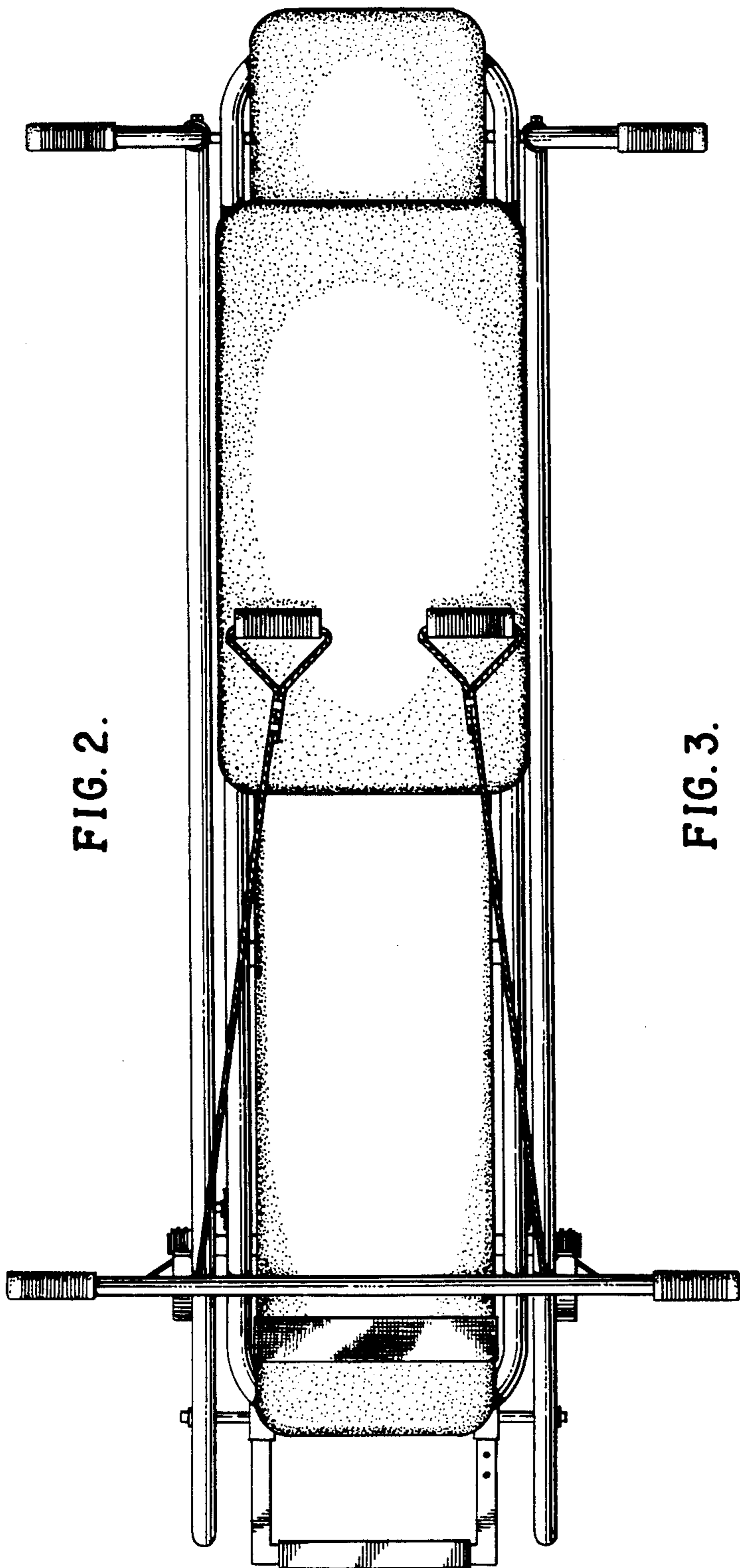


FIG. 5.

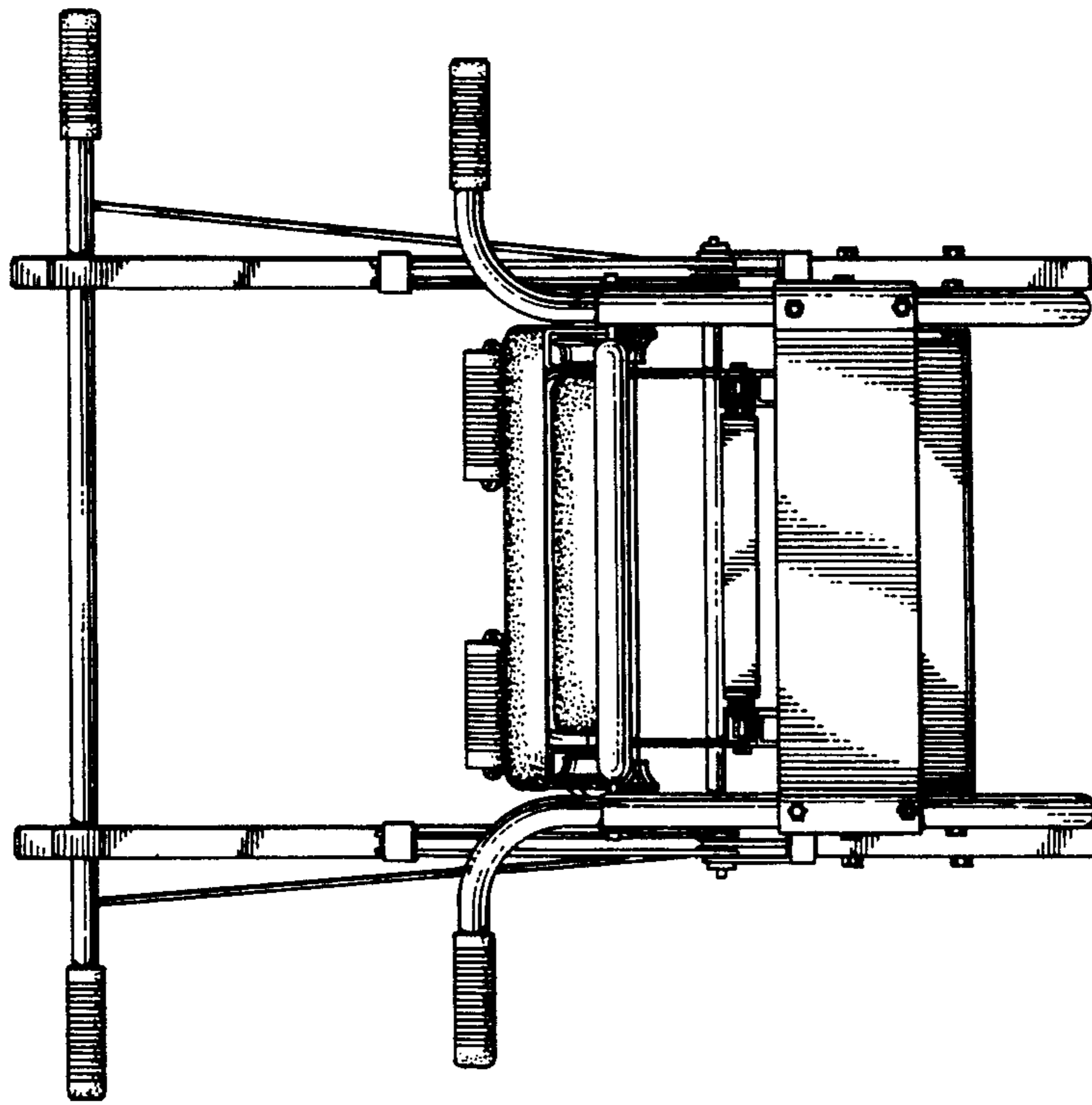


FIG. 4.

