

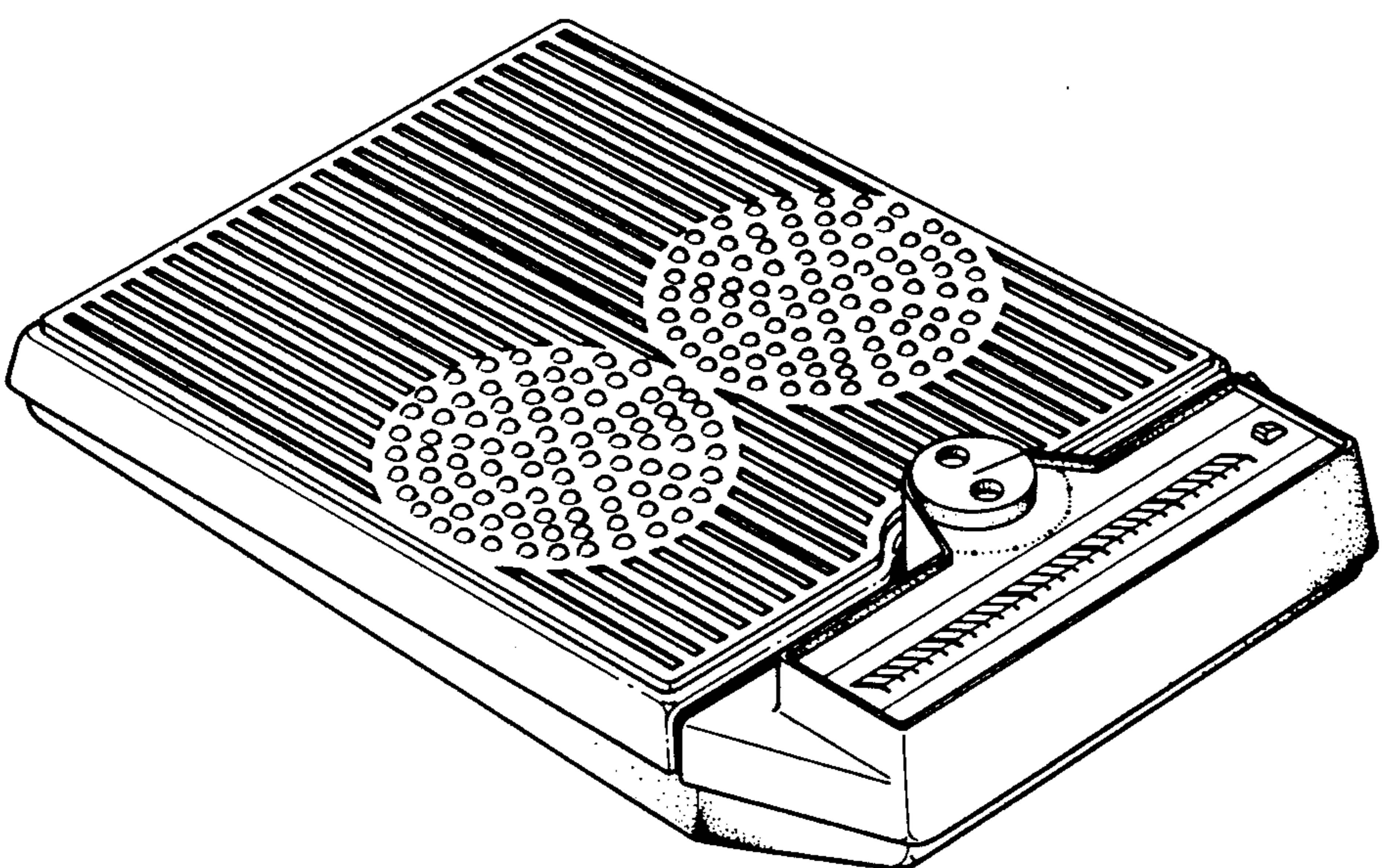
[54] **TRAINING MACHINE FOR INDOOR RUNNING**
[76] **Inventor:** Azuma Ide, 33-5-213, 2-chome, Takashima-Daira, Itabashi-ku, Tokyo, Japan
[**] **Term:** 14 Years
[21] **Appl. No.:** 750,385
[22] **Filed:** Dec. 14, 1976

[30] **Foreign Application Priority Data**
Jul. 22, 1976 [JP] Japan 51-28162
[51] **Int. Cl.** D21-02; 272-70
[52] **U.S. Cl.** D34/5 K
[58] **Field of Search** D34/5 K

[56] **References Cited**
U.S. PATENT DOCUMENTS
3,627,313 12/1971 Schonfeld 272/70
3,638,940 2/1972 Mehaulic 272/70
Primary Examiner—Melvin B. Feifer
Attorney, Agent, or Firm—Norman F. Oblon

[57] **CLAIM**
The ornamental design for a training machine for indoor running, as shown.

DESCRIPTION
FIG. 1 is a top perspective view of a training machine for indoor running showing my new design; FIG. 2 is a bottom perspective view thereof; FIG. 3 is a top elevational view thereof; and FIG. 4 is a right side elevational view thereof.



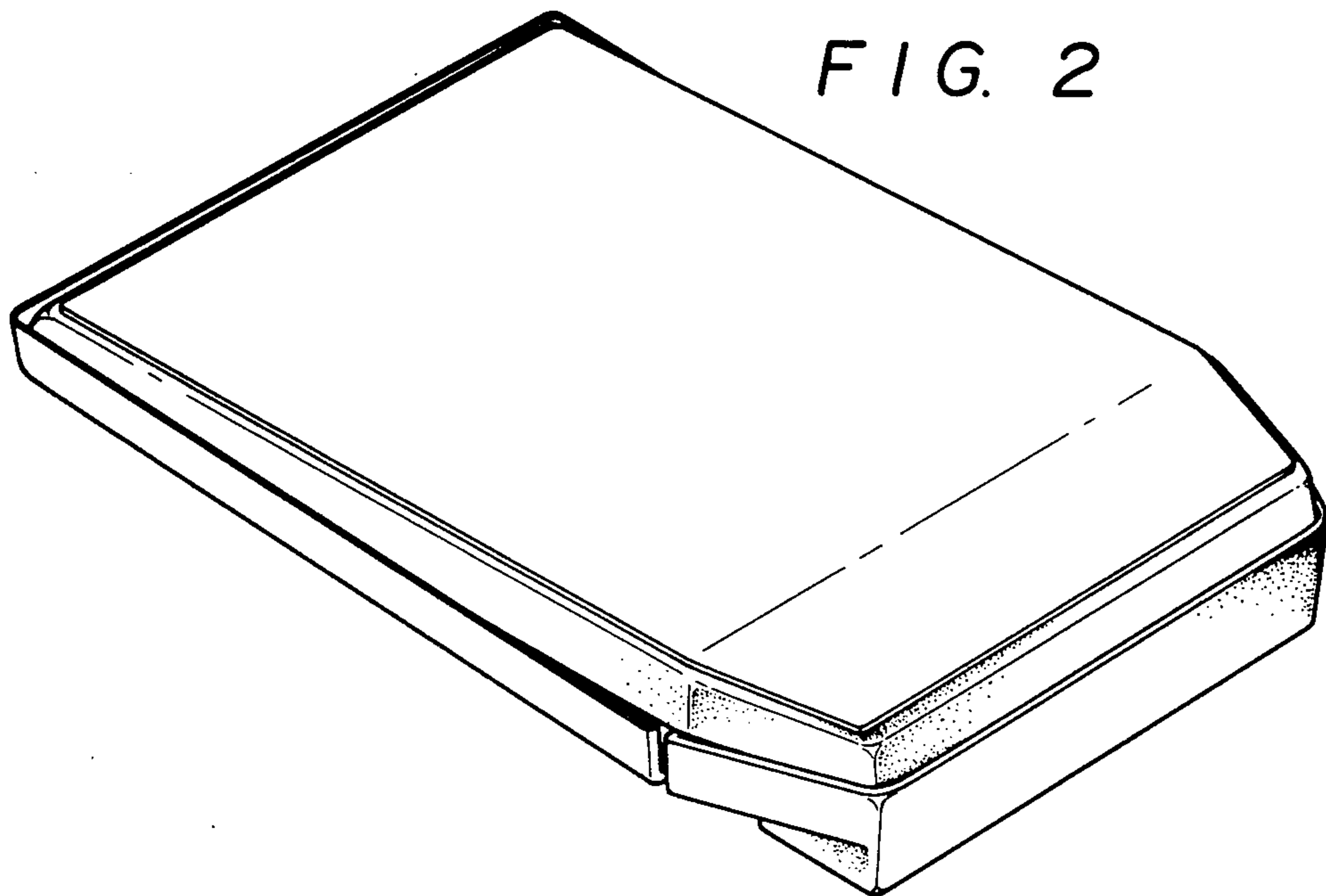
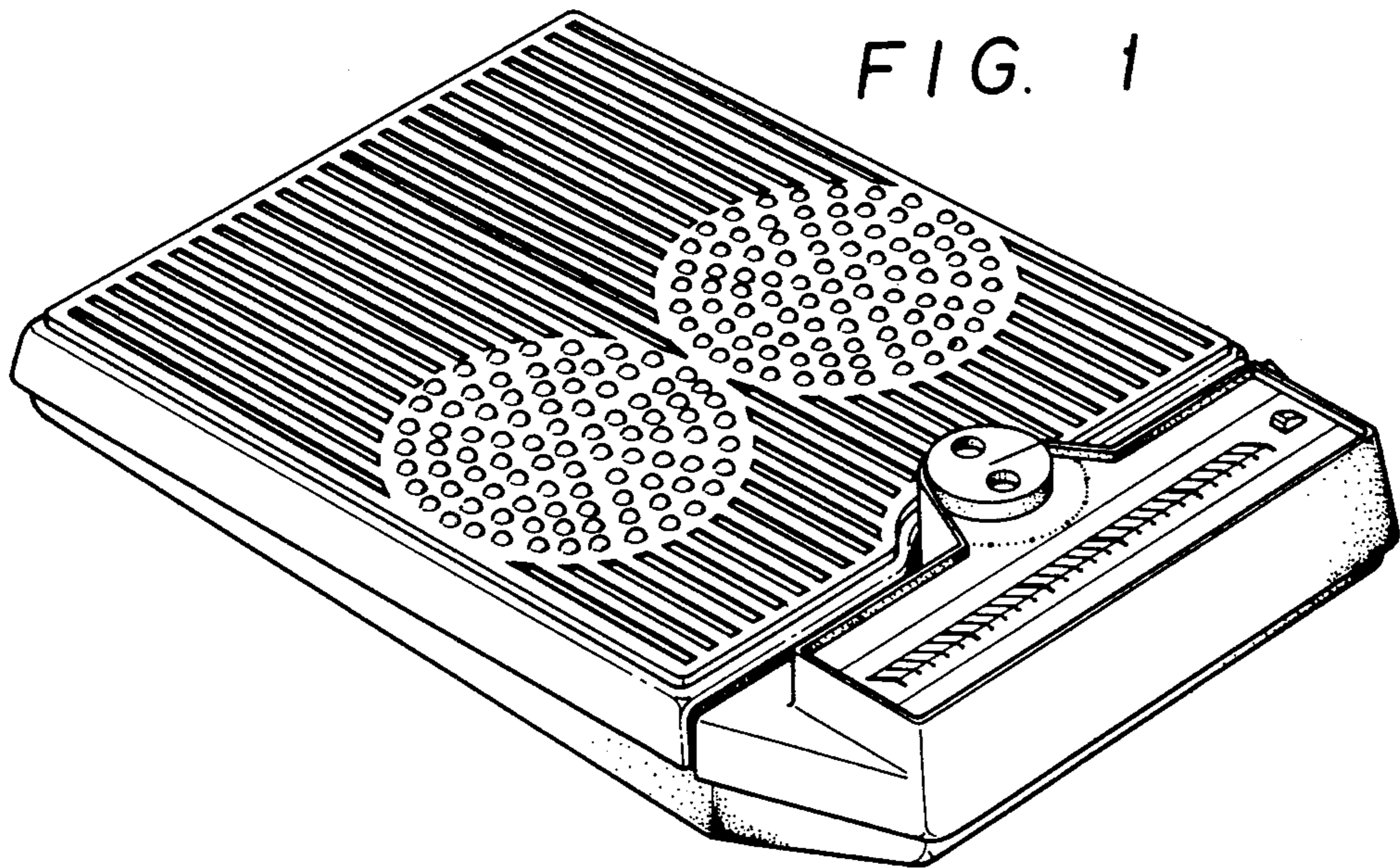


FIG. 4

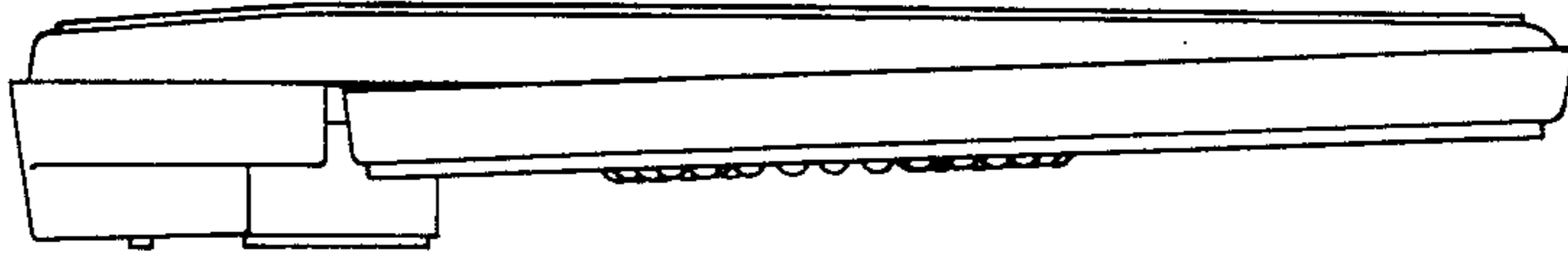


FIG. 3

