

[54] LAWN EDGING DEVICE

3,520,082 7/1970 Smith ..... 47/73

[76] Inventor: James Blake, 532 N. Hanover St., Anaheim, Calif. 92801

Primary Examiner—Wallace R. Burke  
Assistant Examiner—B. J. Bullock  
Attorney, Agent, or Firm—Gilbert A. Thomas

[\*\*] Term: 14 Years

[21] Appl. No.: 661,763

[57] CLAIM

[22] Filed: Feb. 26, 1976

The ornamental design for lawn edging device, as shown and described.

[51] Int. Cl. .... D25—01

DESCRIPTION

[52] U.S. Cl. .... D25/74

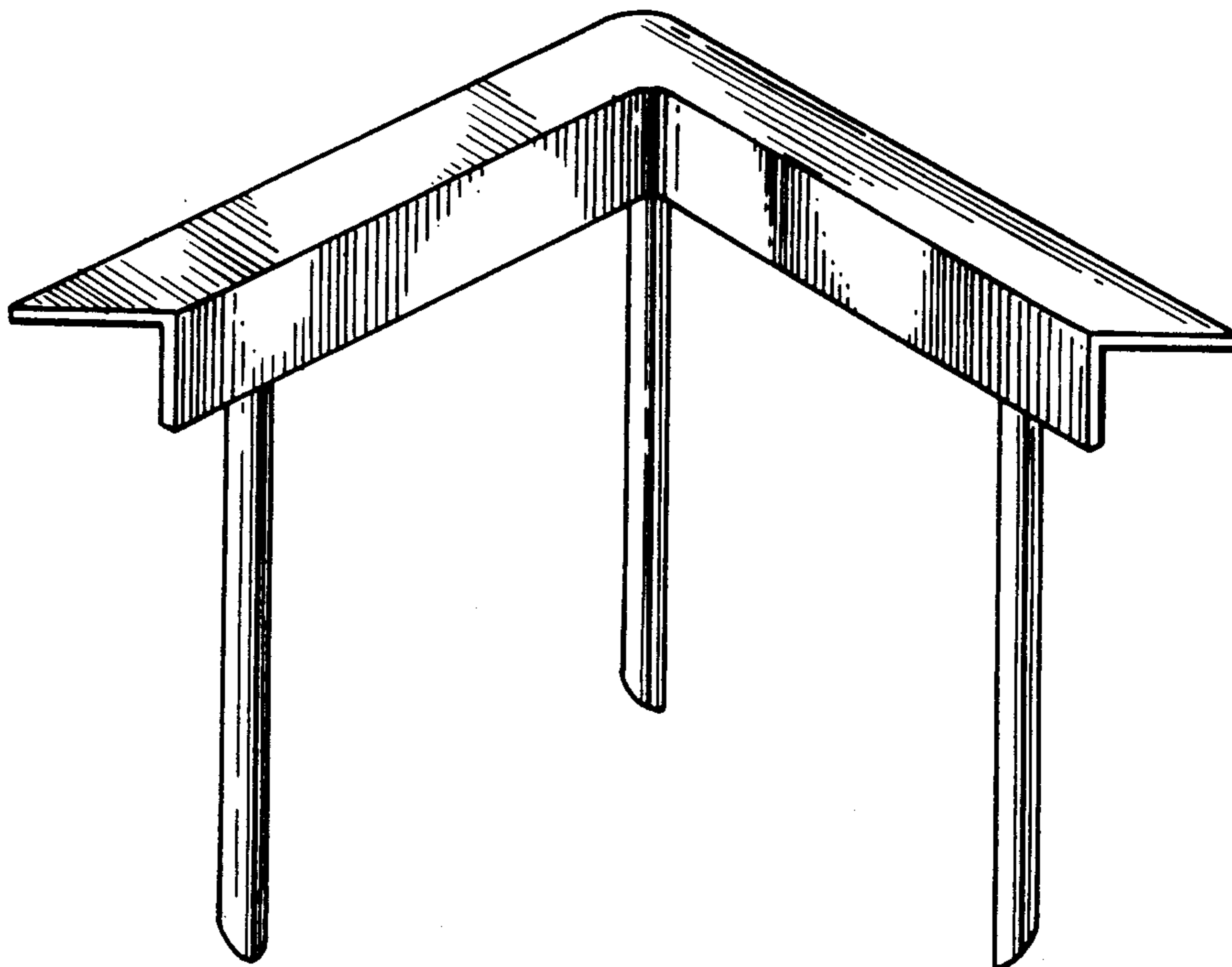
[58] Field of Search ..... D25/74; 47/25, 33, 66-69, 47/72, 85-87, 41 R, 41.11

FIG. 1 is a front perspective view of a lawn edging device showing my new design;  
FIG. 2 is a side elevational view of FIG. 1;  
FIG. 3 is a bottom plan view of FIG. 1;  
FIG. 4 is a rear perspective view of a second embodiment of the design of FIG. 1;  
FIG. 5 is a front perspective view of a third embodiment of the design of FIG. 1;  
FIG. 6 is a side elevational view of FIG. 5;  
FIG. 7 is a bottom plan view of FIG. 5.

[56] References Cited

U.S. PATENT DOCUMENTS

2,662,342	12/1953	Peterson	47/33
2,744,357	5/1956	Foote	47/33
2,782,561	2/1957	Smith	47/25
2,909,328	10/1959	Bakyak	47/25



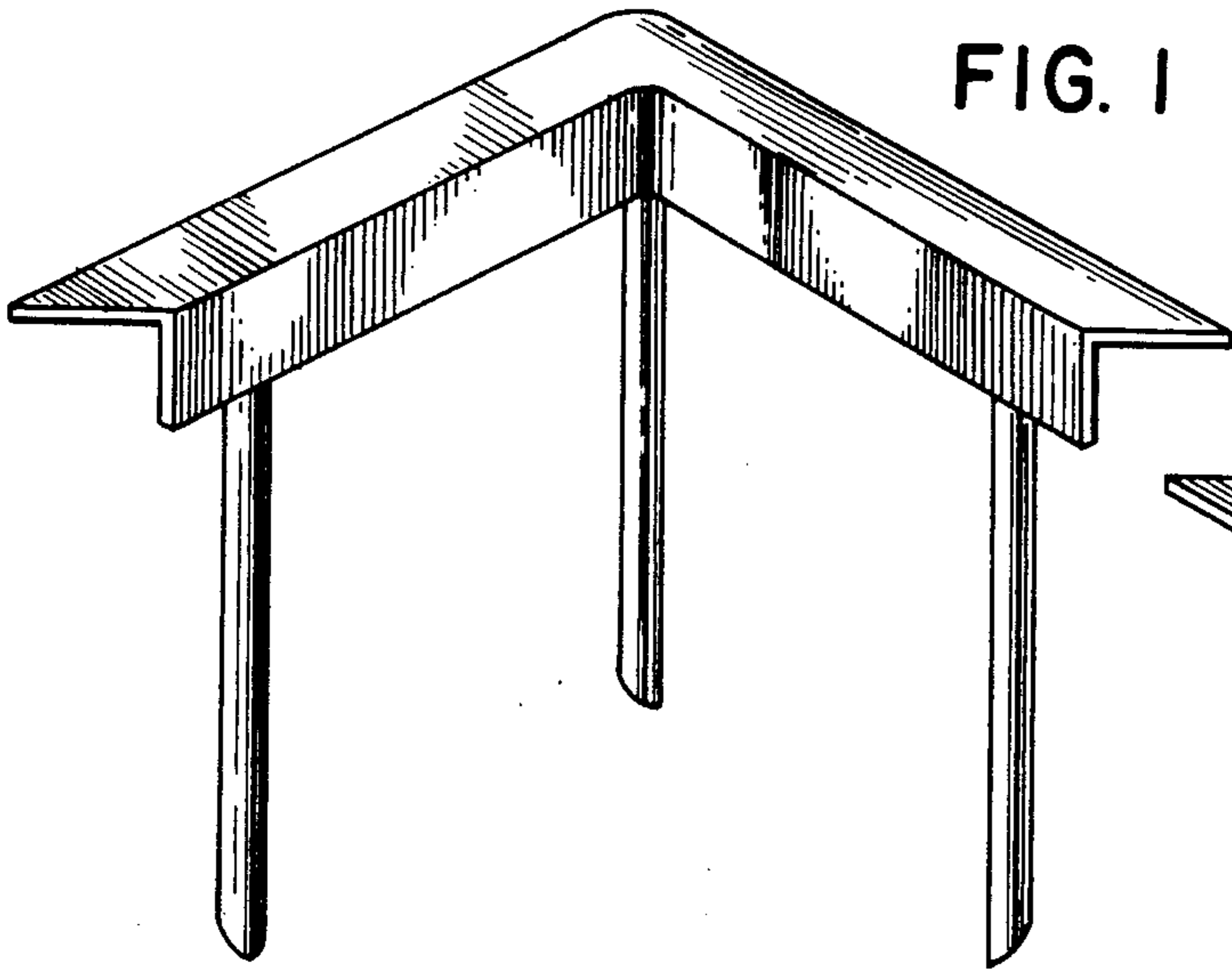


FIG. 1

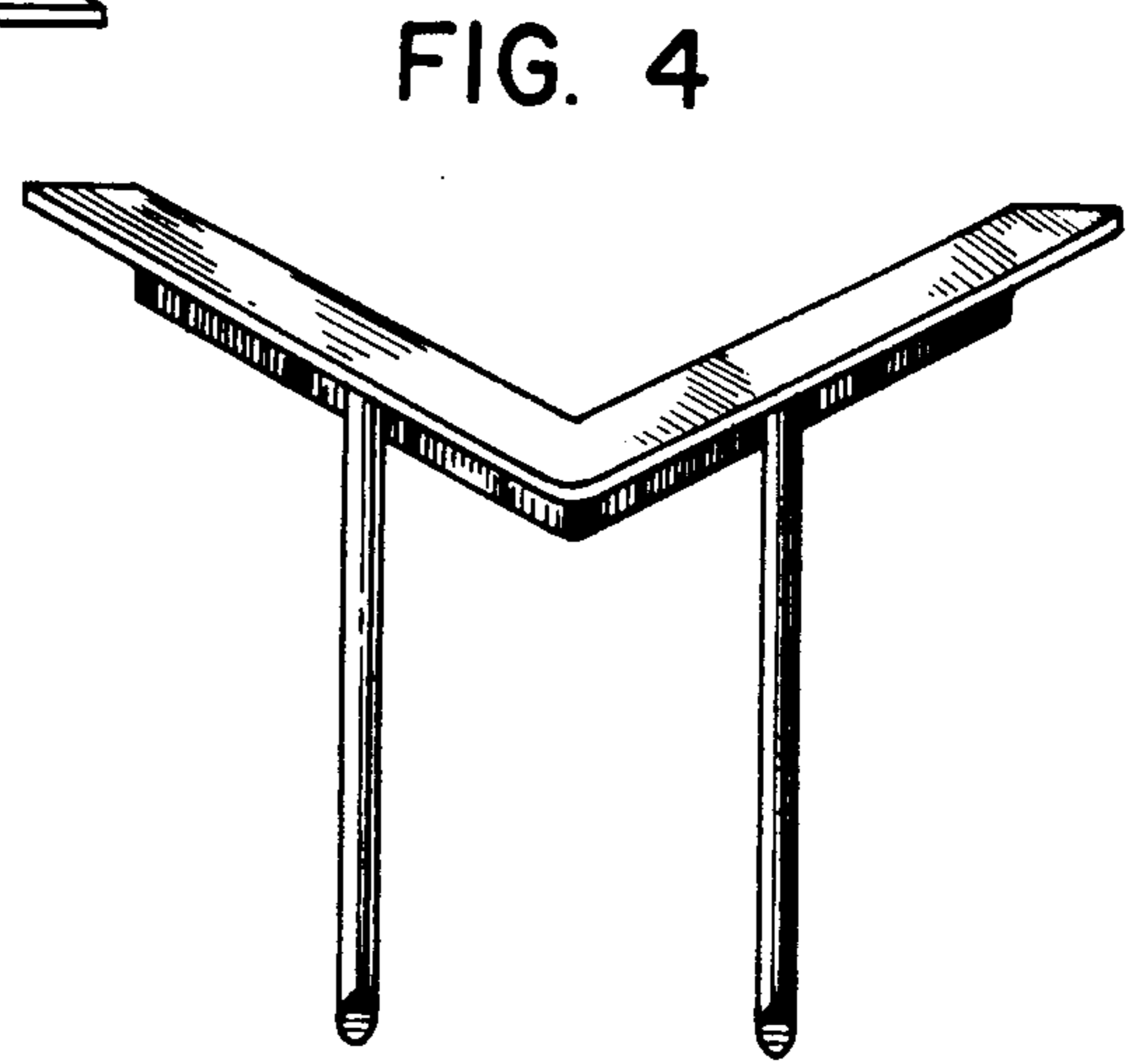


FIG. 4

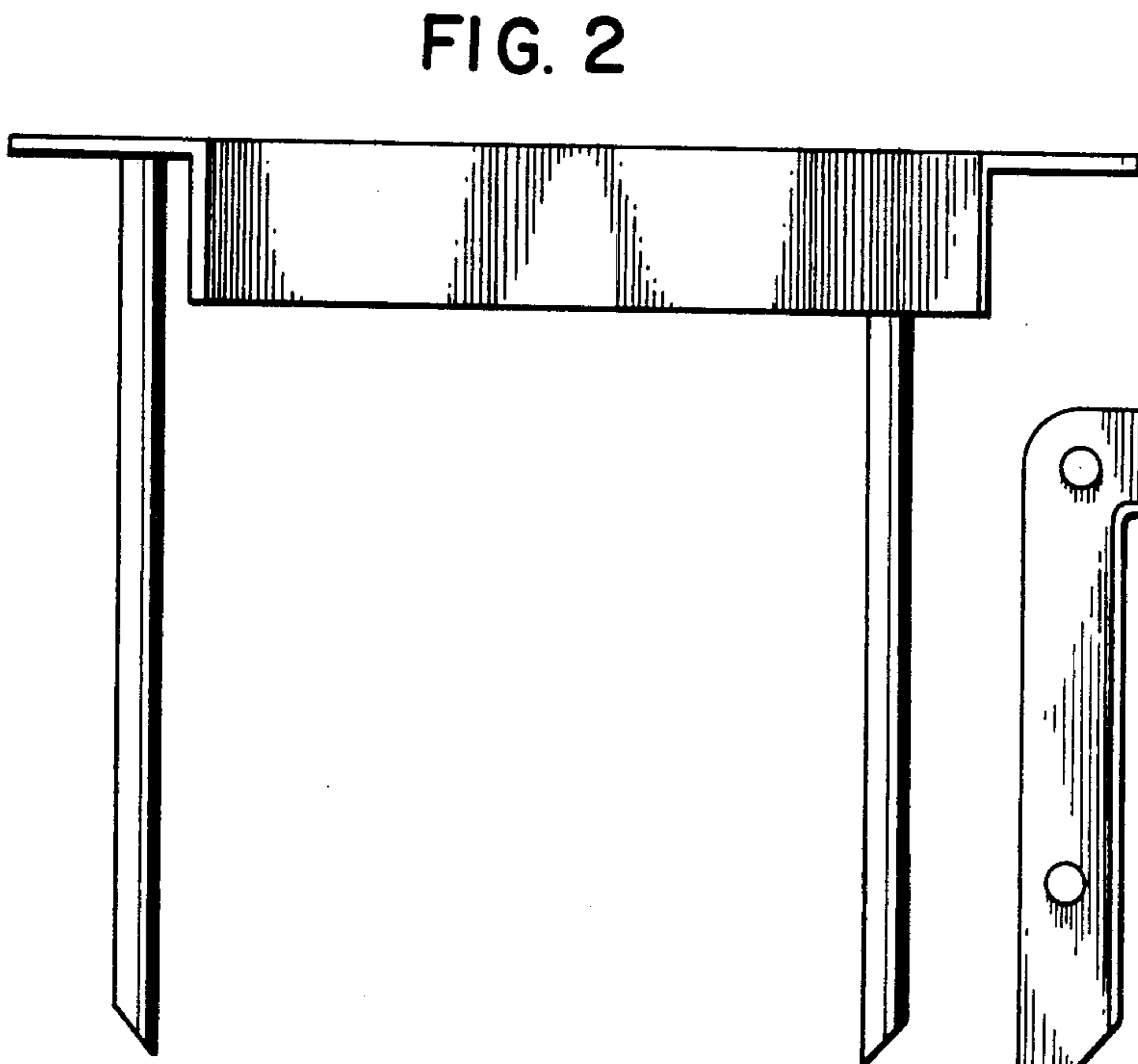


FIG. 2

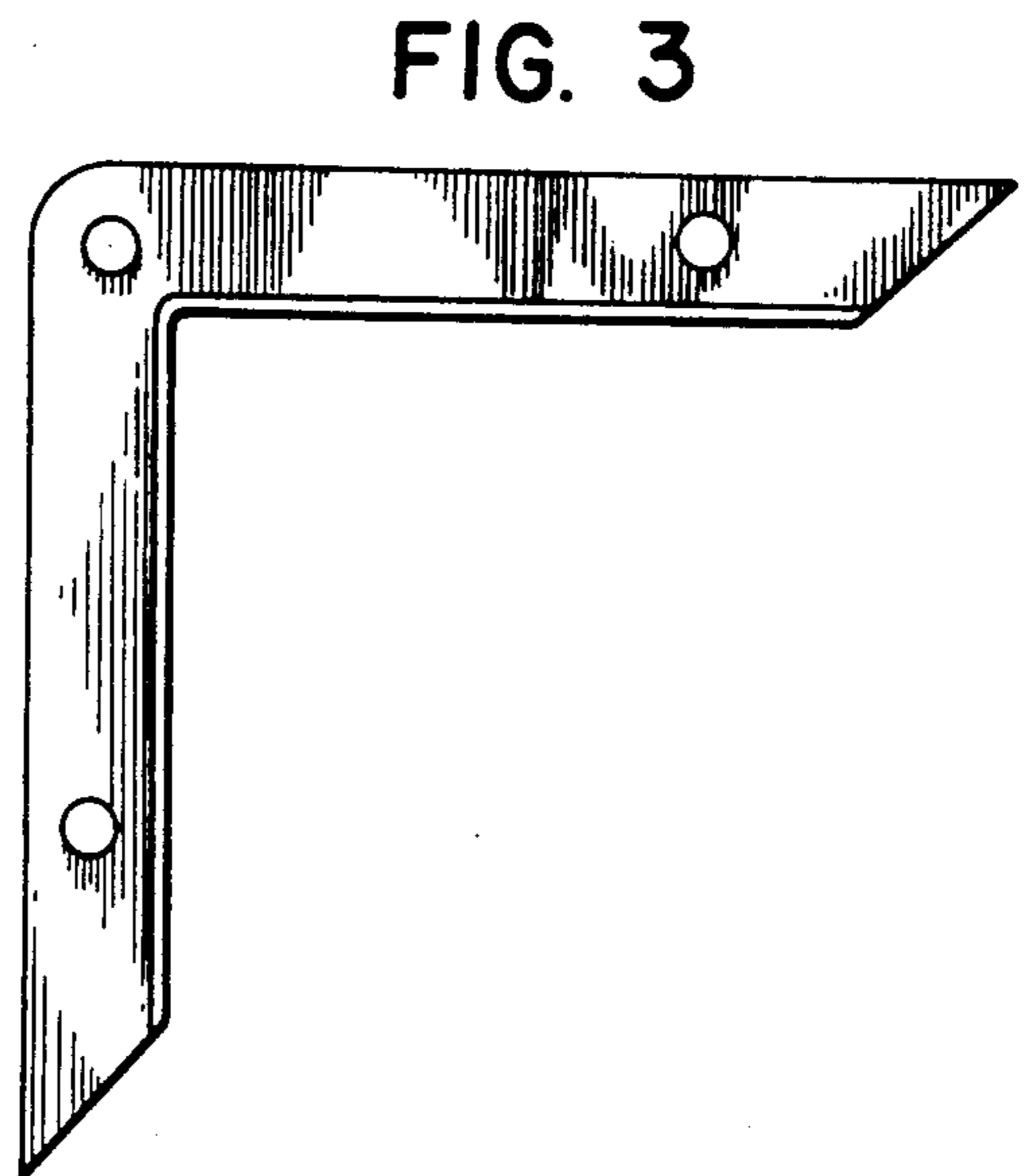


FIG. 3

FIG. 5

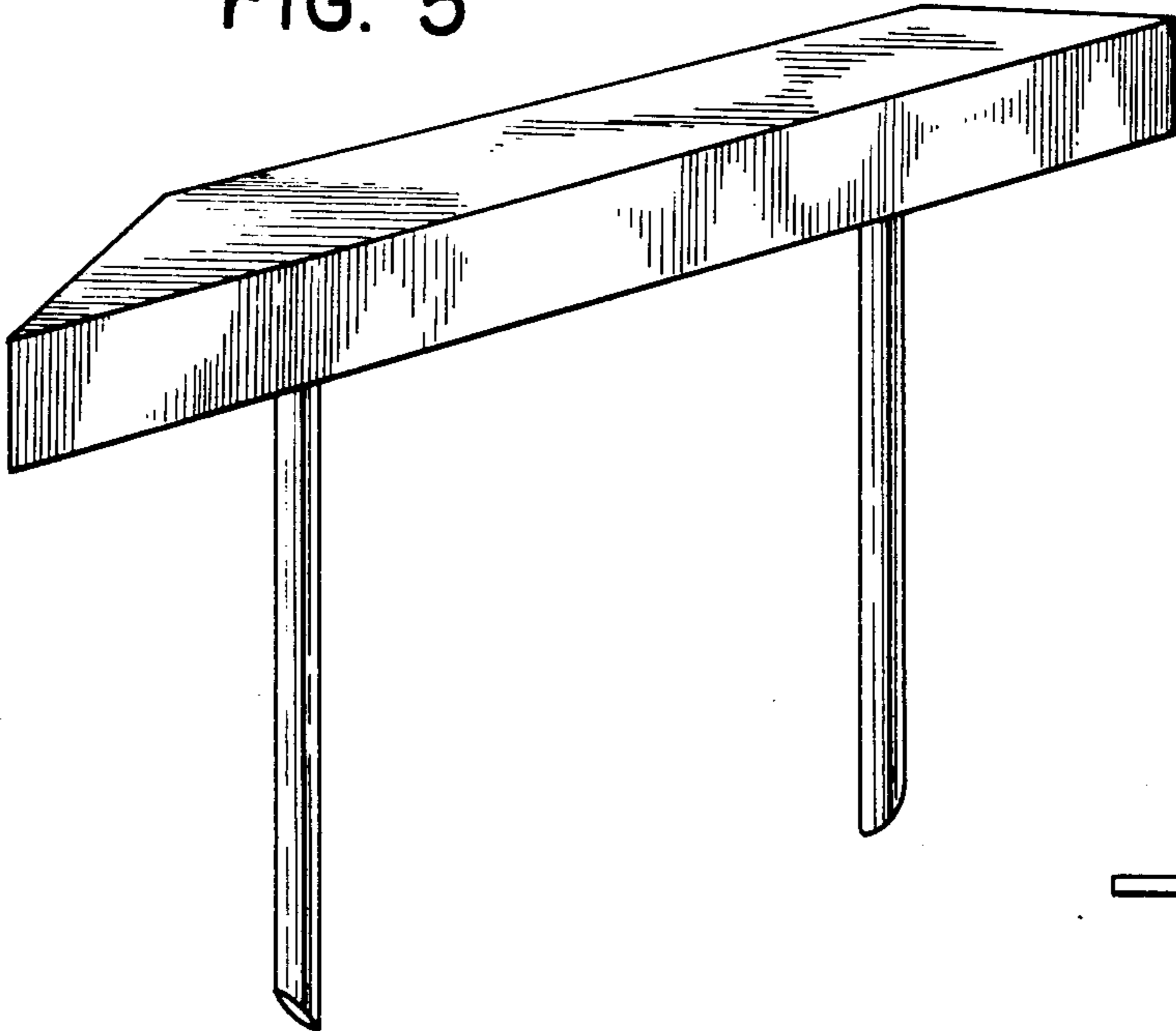


FIG. 6

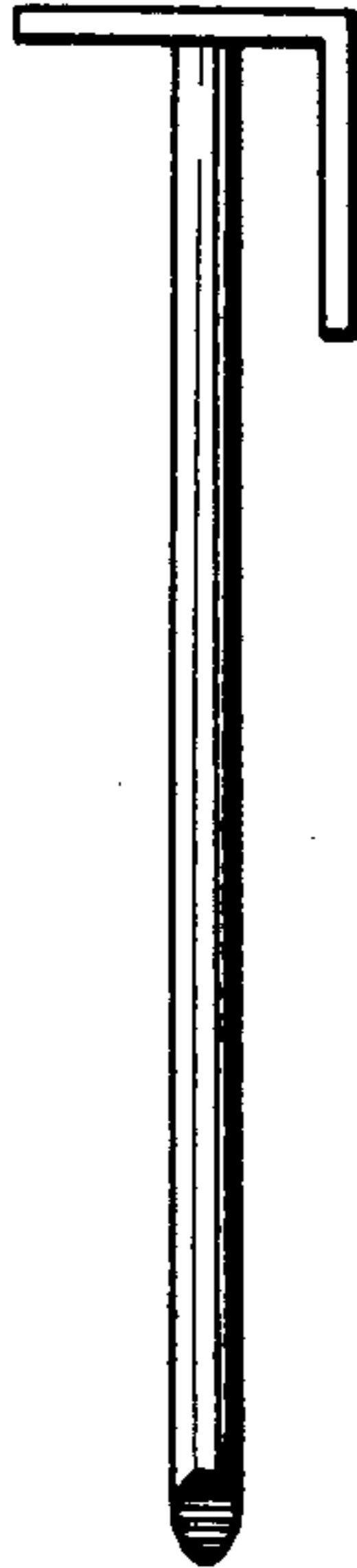


FIG. 7

