

[54] KIOSK

[76] Inventor: Densley Mills, 12 W. Moreland Pl.,
London, SW1, England

[**] Term: 14 Years

[21] Appl. No.: 756,612

[22] Filed: Jan. 4, 1977

[30] Foreign Application Priority Data
Jul. 12, 1976 [GB] United Kingdom 976427/76

[51] Int. Cl. D25—03

[52] U.S. Cl. D25/19; D25/1;
D25/16; D25/31

[58] Field of Search D25/1, 16, 18, 19, 31;
D6/146, 148

[56] References Cited

U.S. PATENT DOCUMENTS

D. 170,707	10/1953	Lindgren	D25/19
D. 236,397	8/1975	Kramer	D6/146
D. 245,866	9/1977	Schuldenfrel	D25/16 X
3,777,774	12/1973	Martin	D25/16 X

Primary Examiner—A. Hugo Word
Attorney, Agent, or Firm—Frederick J. Haesche

[57] CLAIM

The ornamental design for a kiosk, as shown and described.

DESCRIPTION

FIG. 1 is a front elevation of a kiosk showing my new design.

FIG. 2 is a rear elevation of the kiosk.

FIG. 3 is a plan view of the kiosk.

FIG. 4 is a side elevation of the kiosk of FIG. 1 as viewed from the left.

FIG. 5 is a side elevation of the kiosk of FIG. 1 as viewed from the right.

FIG. 6 is a front perspective view of the kiosk.

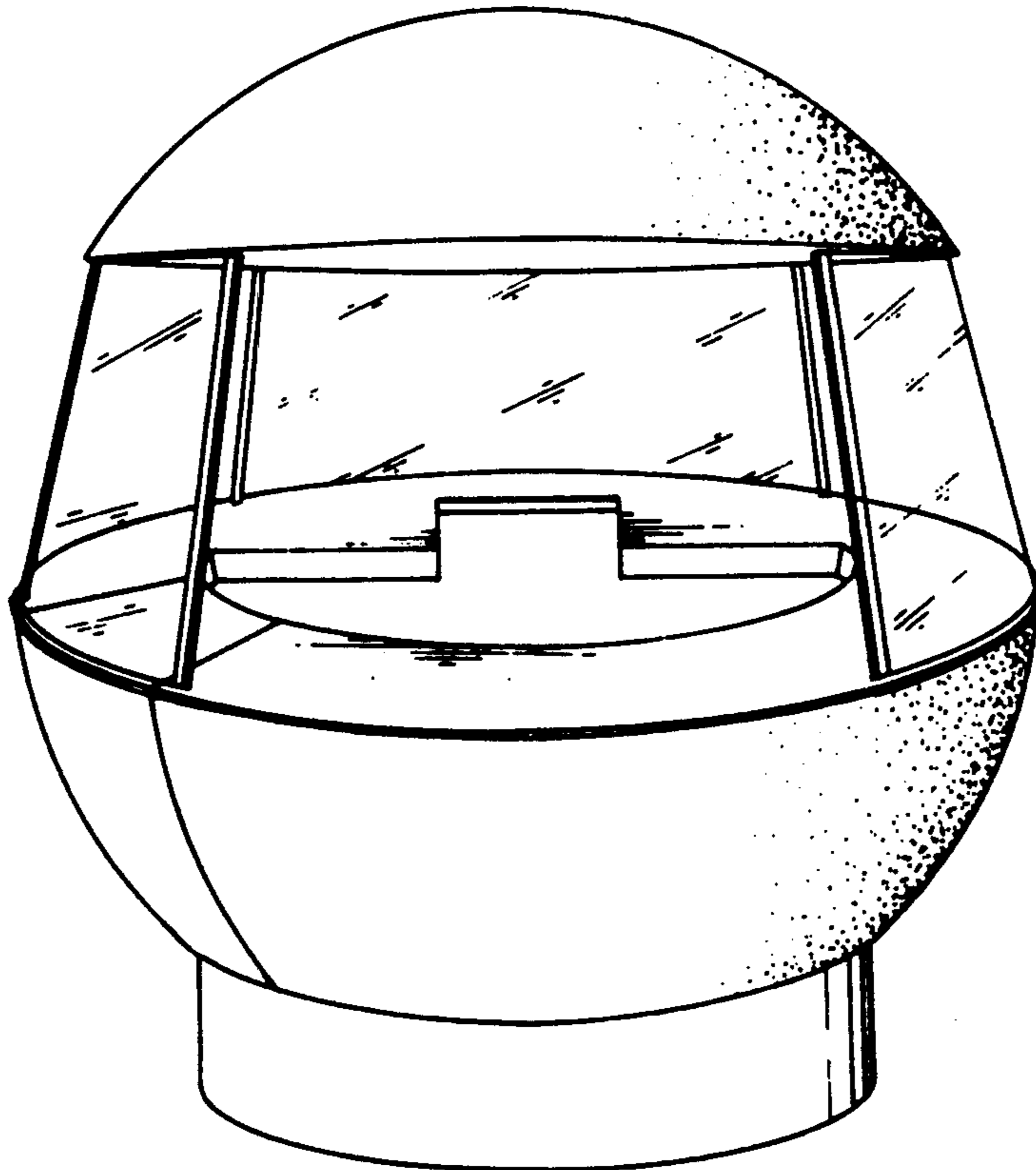


Fig.1

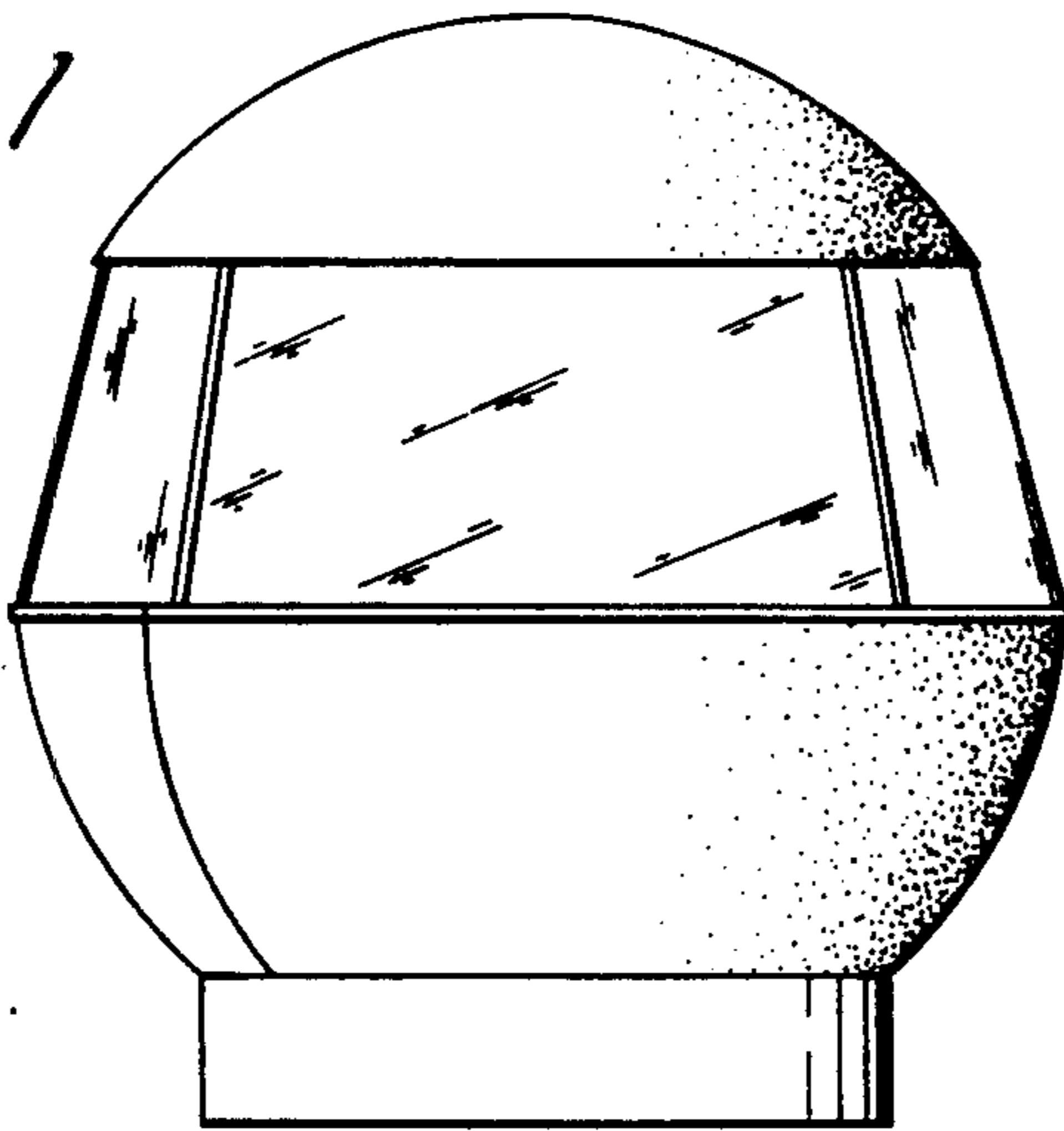


Fig.2

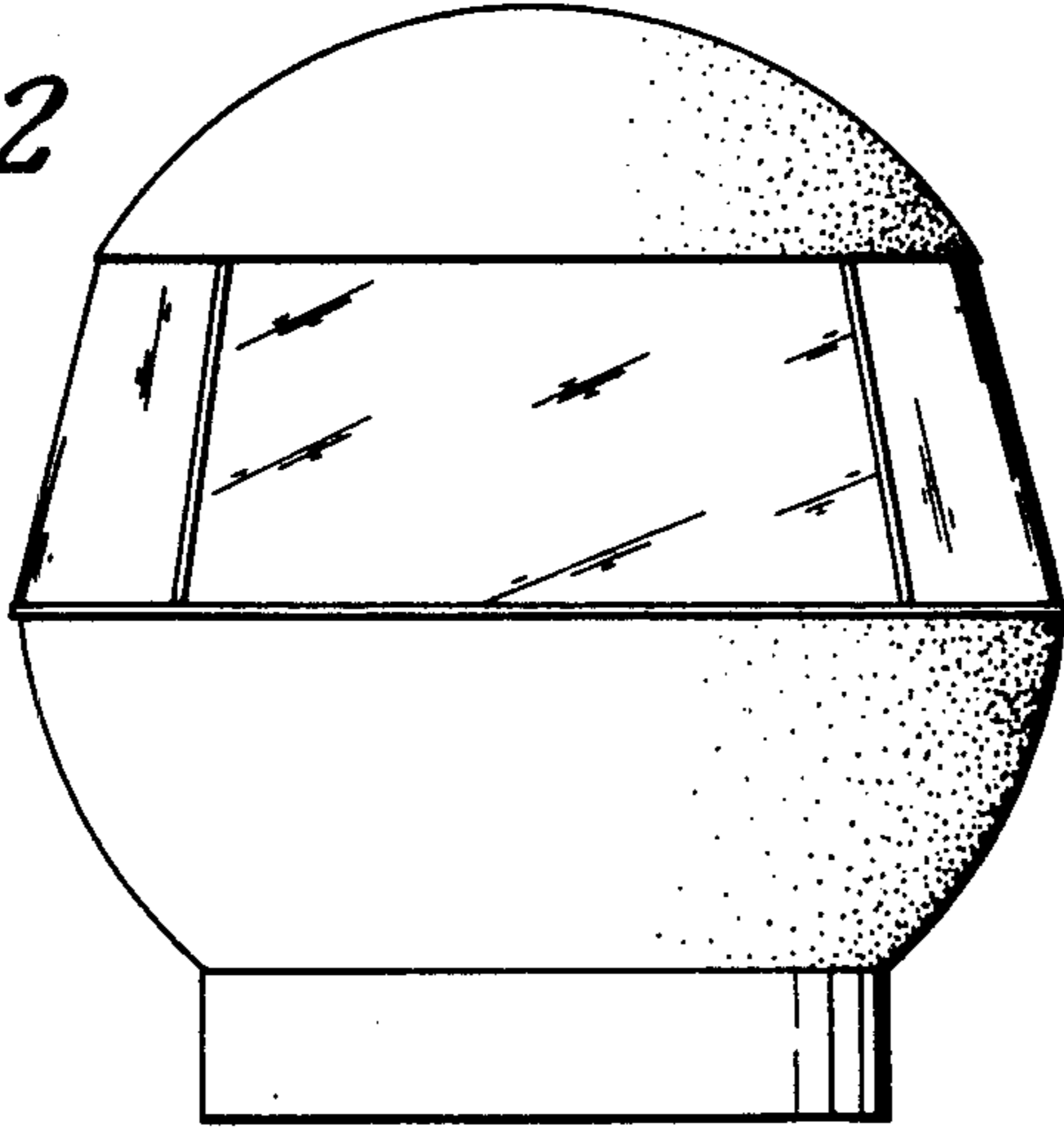


Fig. 3

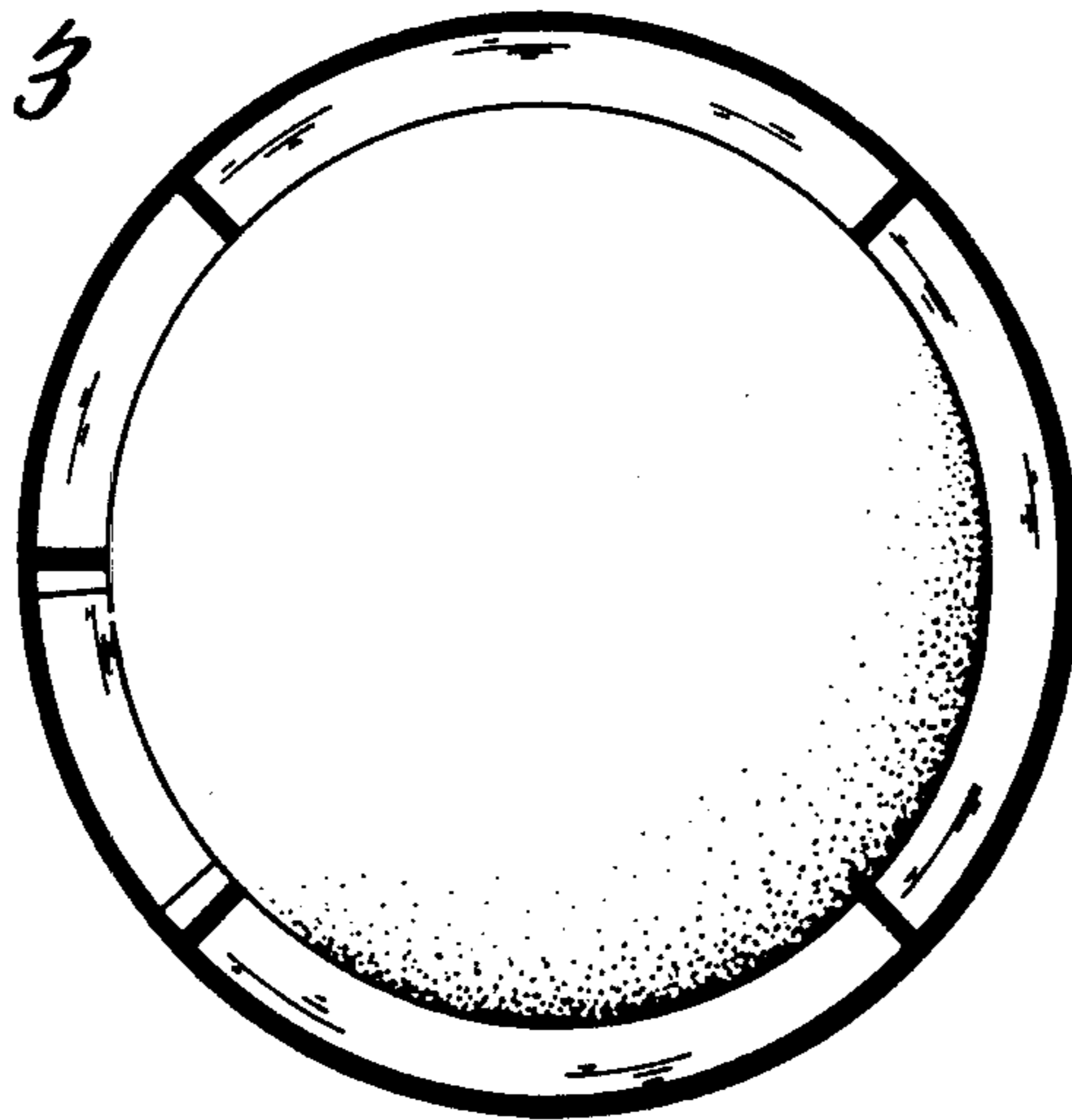


Fig. 4

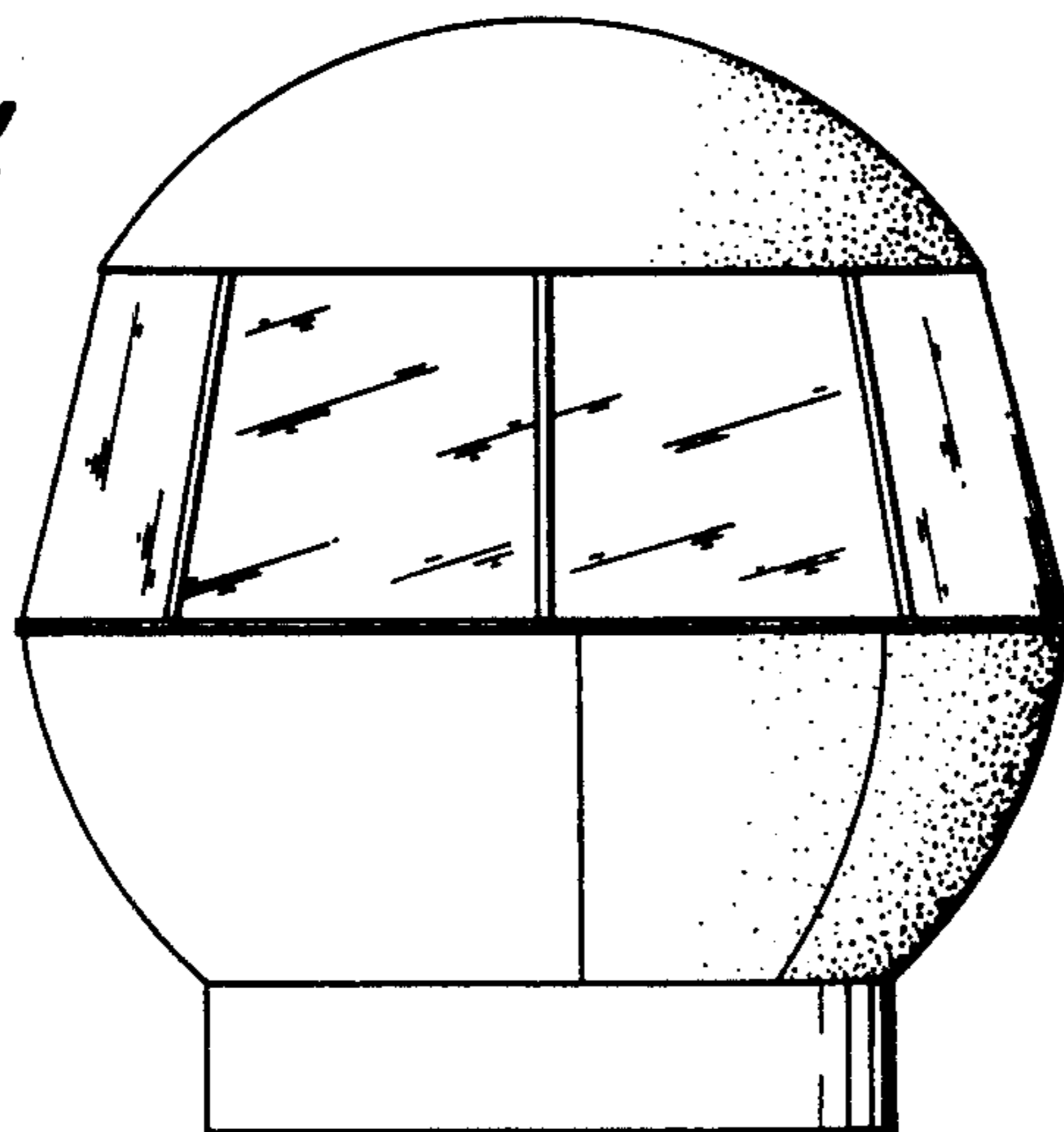


Fig.5

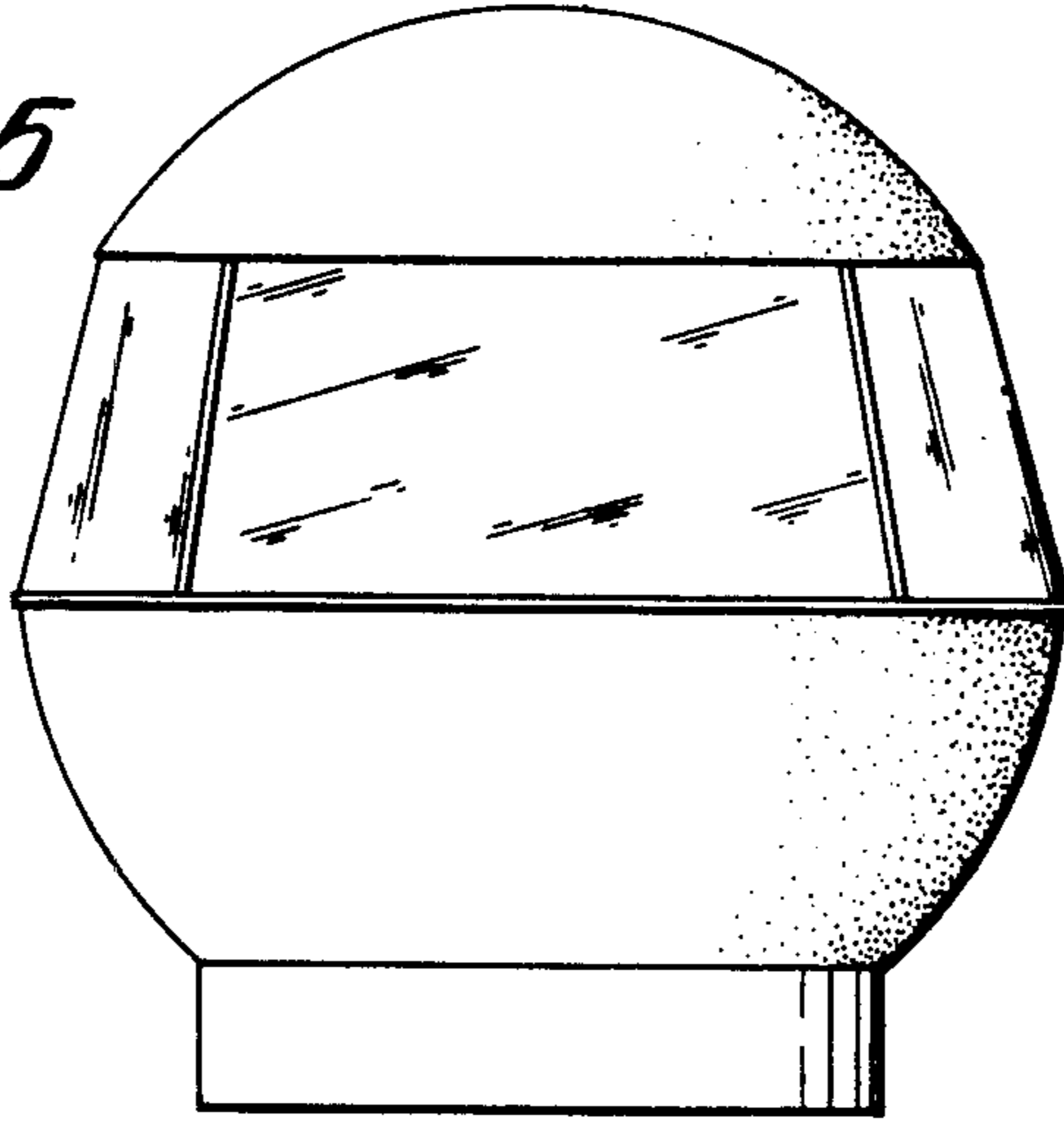


Fig.6

