

[54] CONTINUOUS SKYLIGHT FOR BUILDING

[76] Inventors: Henry F. Hope; Stephen F. Hope, both of 2548 Wyandotte Rd., Willow Grove, Pa. 19090

[**] Term: 14 Years

[21] Appl. No.: 557,827

[22] Filed: Mar. 12, 1975

[51] Int. Cl. D25-02

[52] U.S. Cl. D23/153; D25/52; D25/55; D25/59

[58] Field of Search 52/200, 18, 80, DIG. 3; D25/17, 22-24, 30, 55-57, 60, 52, 59; D23/153

[56] References Cited

U.S. PATENT DOCUMENTS

D. 178,450	8/1956	Butler	D25/57
998,613	7/1911	Hahn	52/200
1,317,470	9/1919	Alschuler	52/18
2,866,235	12/1958	Couse et al.	D18/2 B
3,797,179	3/1974	Jackson	52/558 X
3,886,701	6/1975	Bogaert	52/200
3,924,372	12/1975	Anghinetti et al.	52/200 X

OTHER PUBLICATIONS

Sweet's Architectural Catalog, vol. 3, 1973; Section 7.8/Na, p. 9-Lean-To-, Section 7.8/Fi p. 14-Single-Pitch Free Standing, Section 7.8/Fi p. 15-Single Pitch Lean-To.

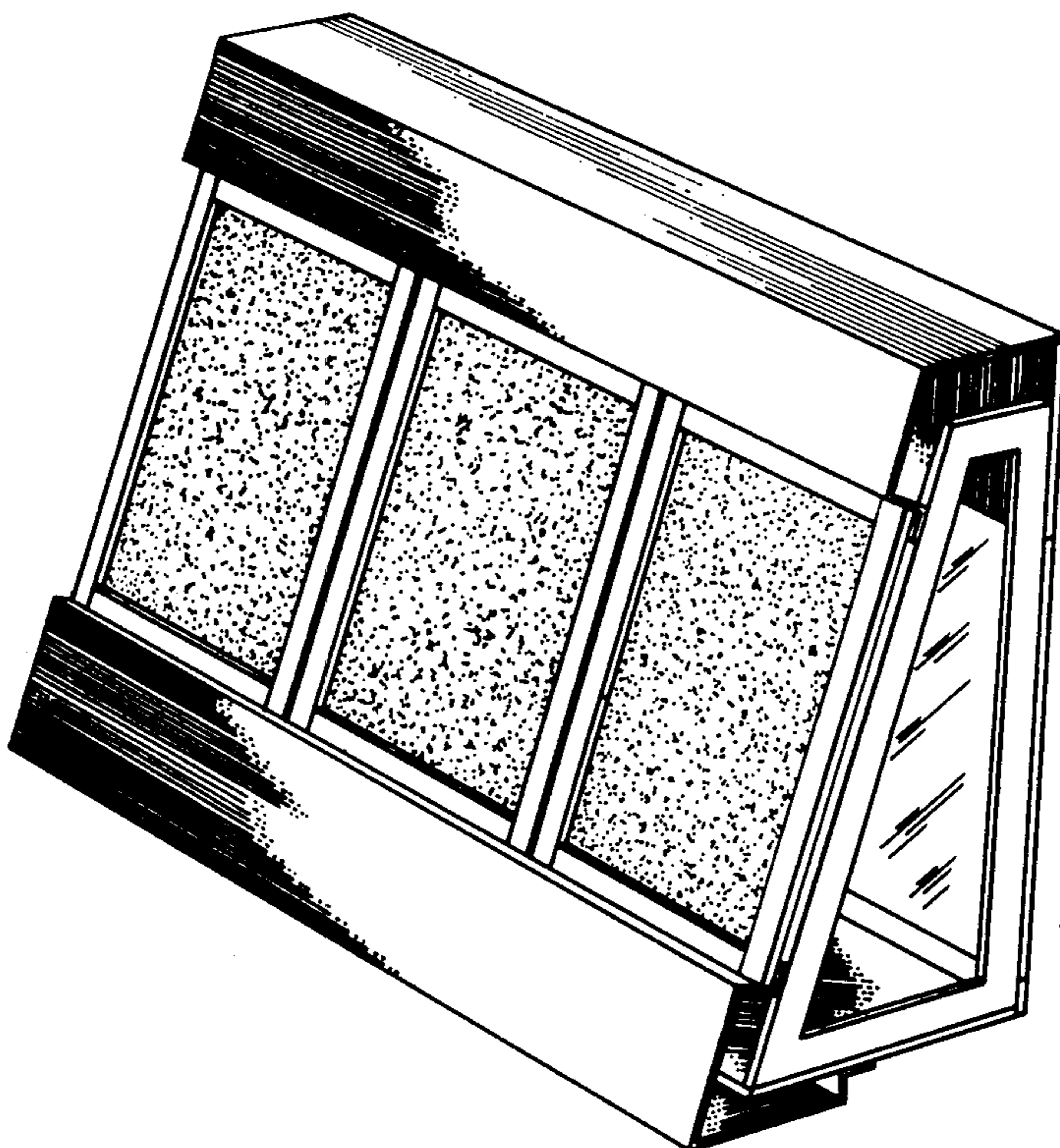
Primary Examiner—Wallace R. Burke
Assistant Examiner—James M. Gandy
Attorney, Agent, or Firm—Karl L. Spivak

[57] CLAIM

The ornamental design for a continuous skylight for building, as shown.

DESCRIPTION

FIG. 1 is a front elevational view of a continuous skylight for building, showing our new design.
FIG. 2 is a side elevational view thereof, the opposite side being a mirror image of the side shown herein, it being understood that the broken line showing of the upper portion of a building is for illustrative purposes only.
FIG. 3 is a top plan view thereof.
FIG. 4 is a rear elevational view thereof.
FIG. 5 is a bottom plan view thereof.
FIG. 6 is a front perspective view thereof.
FIG. 7 is a rear perspective view thereof.



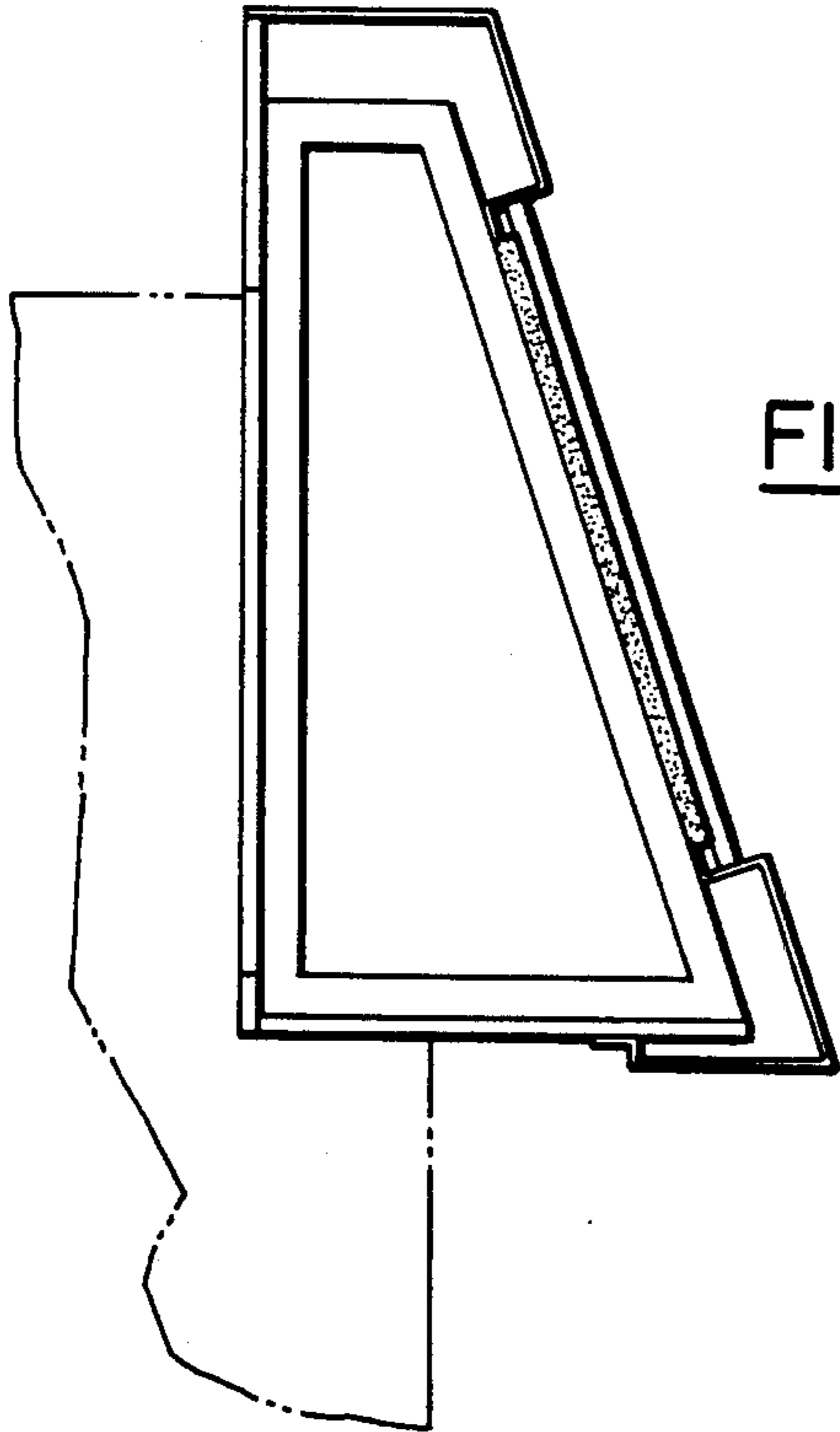
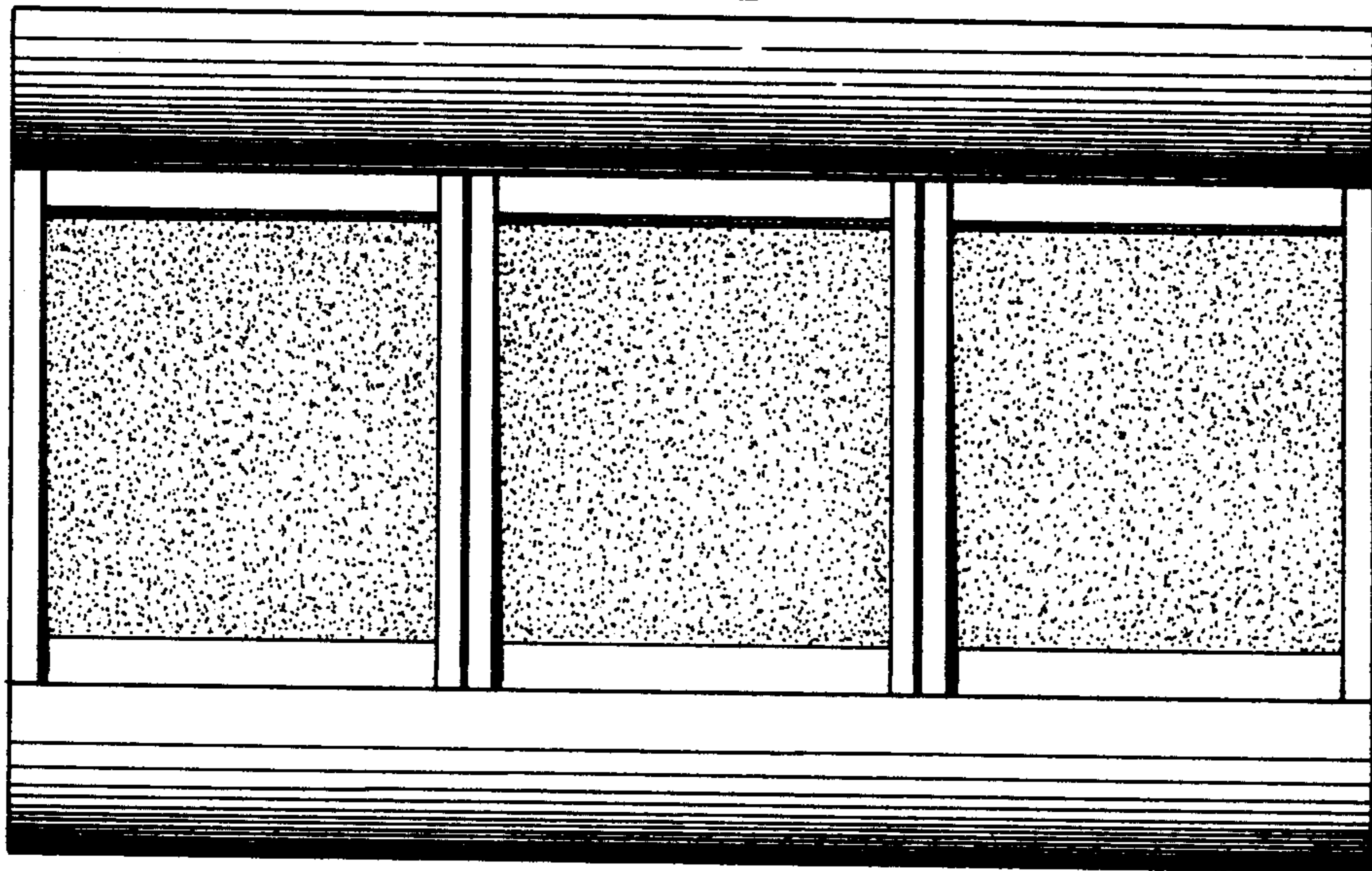


FIG. 2

FIG. 1



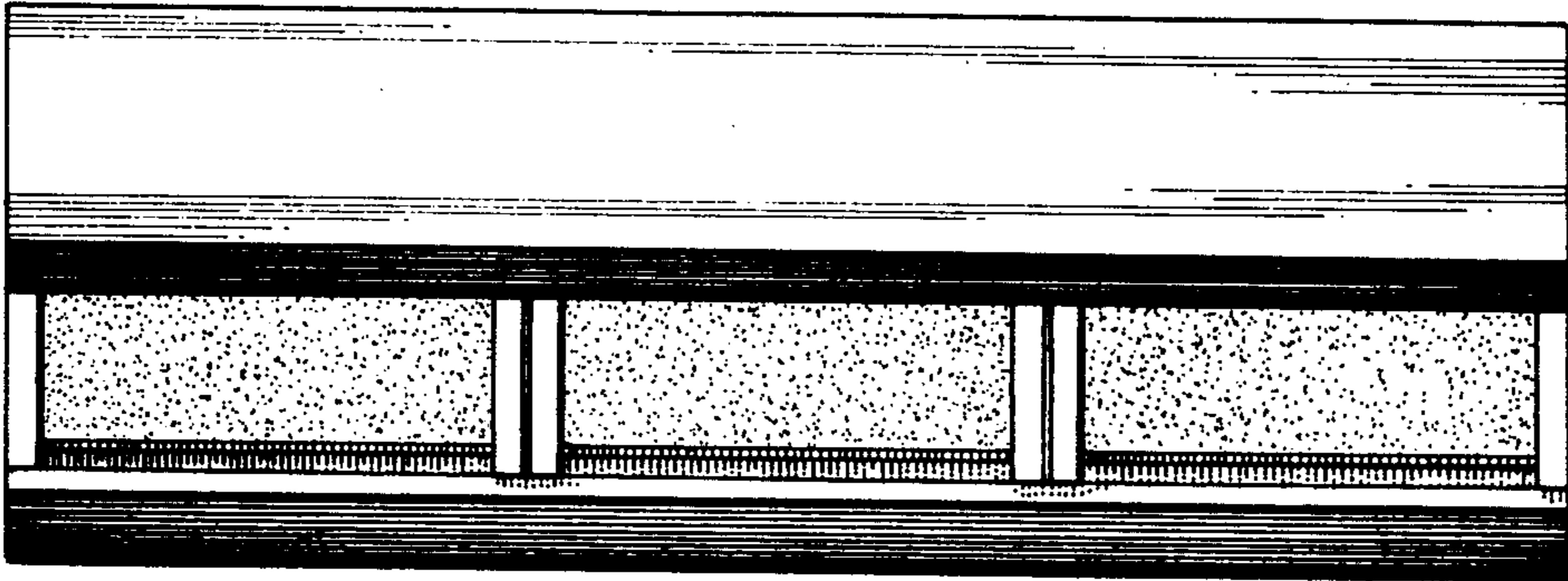


FIG. 3

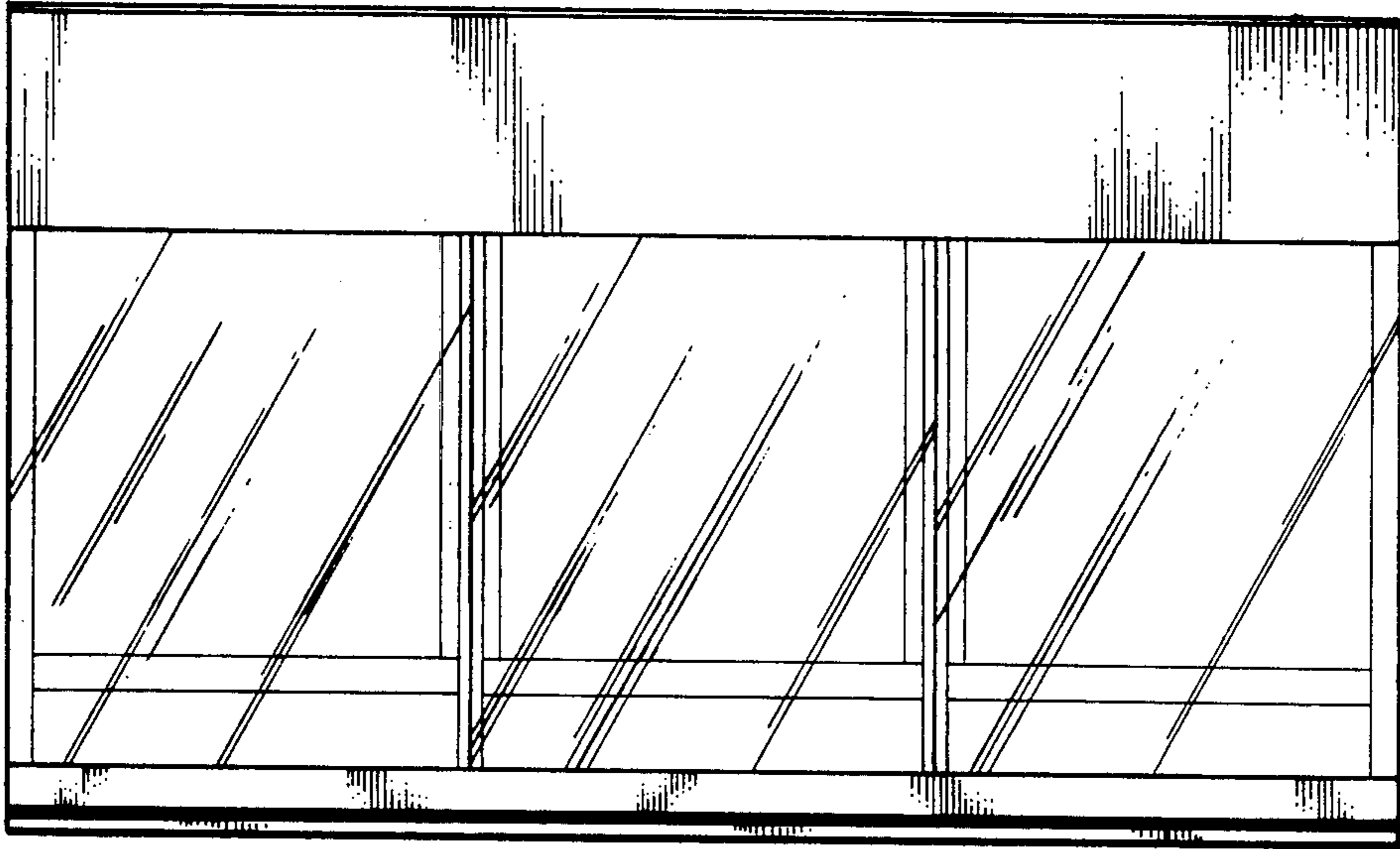


FIG. 4

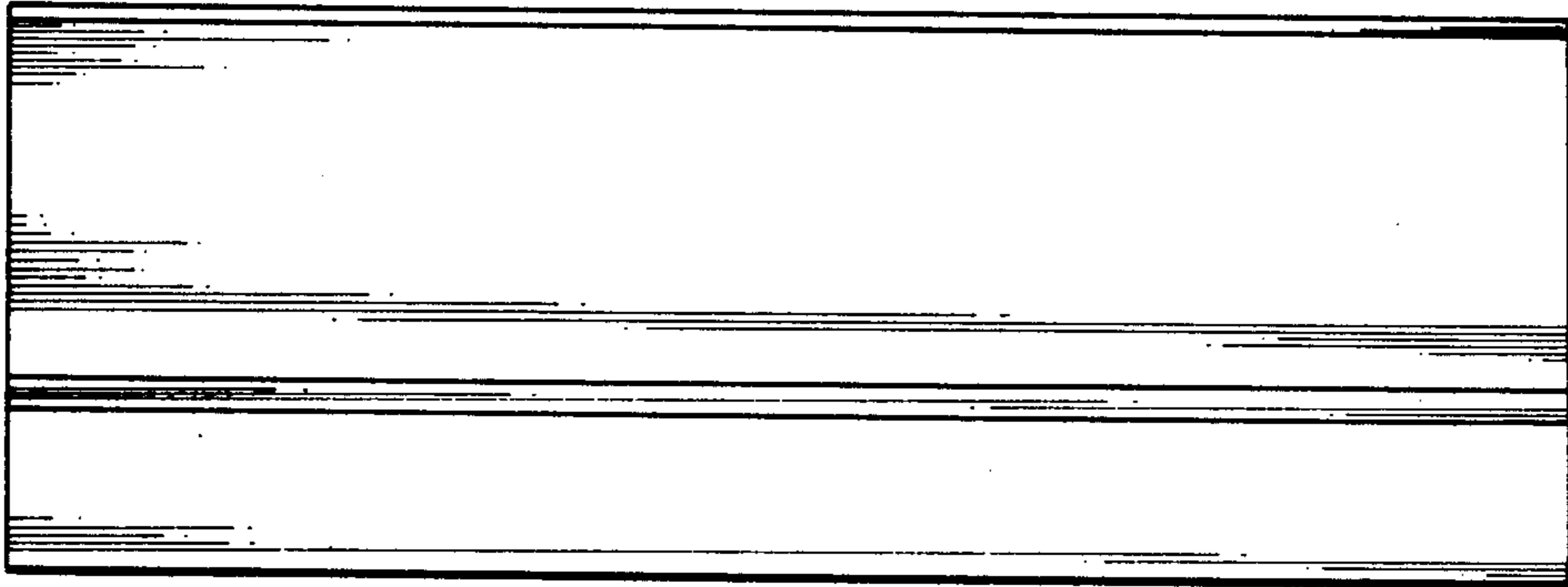


FIG. 5

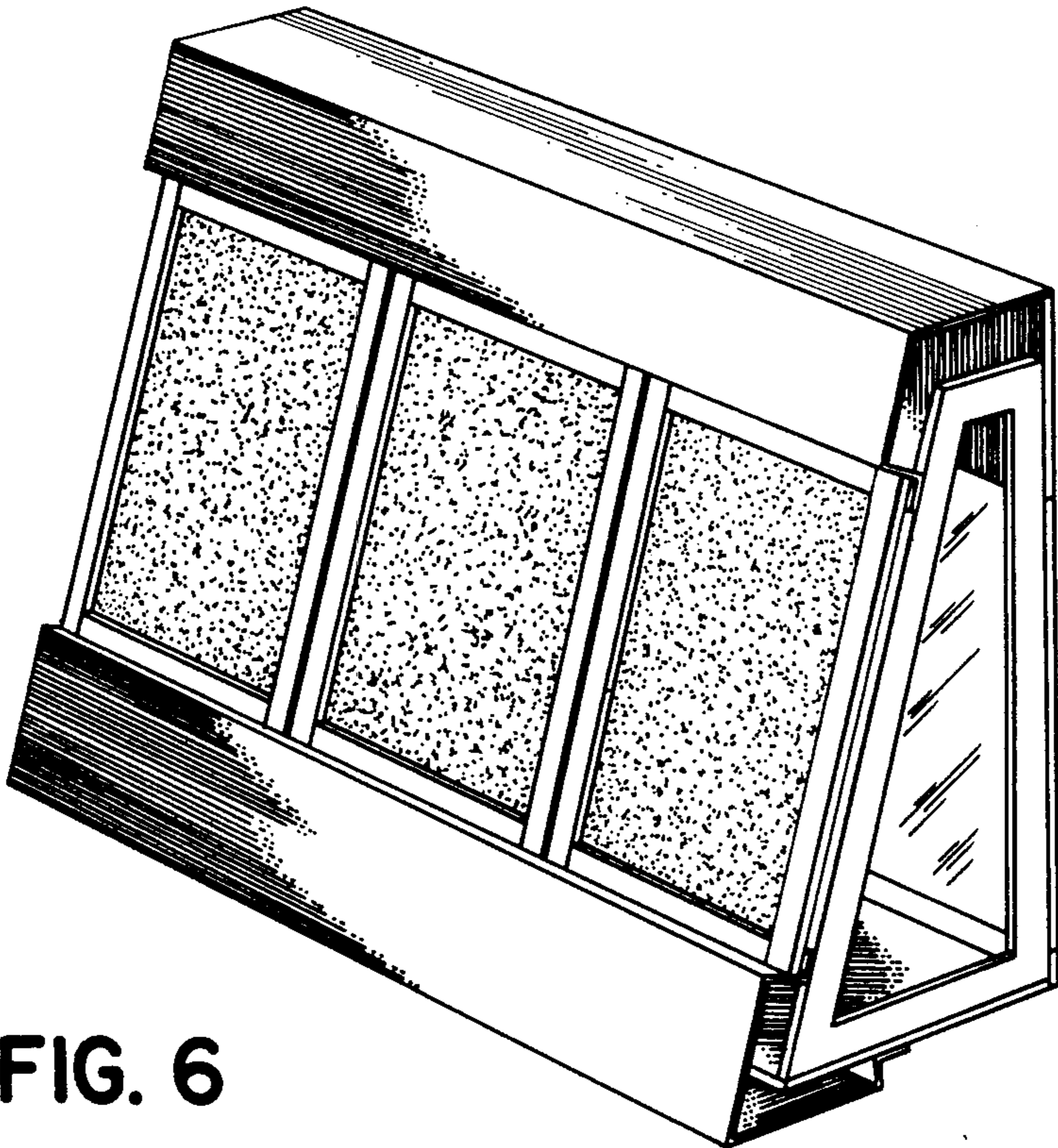


FIG. 6

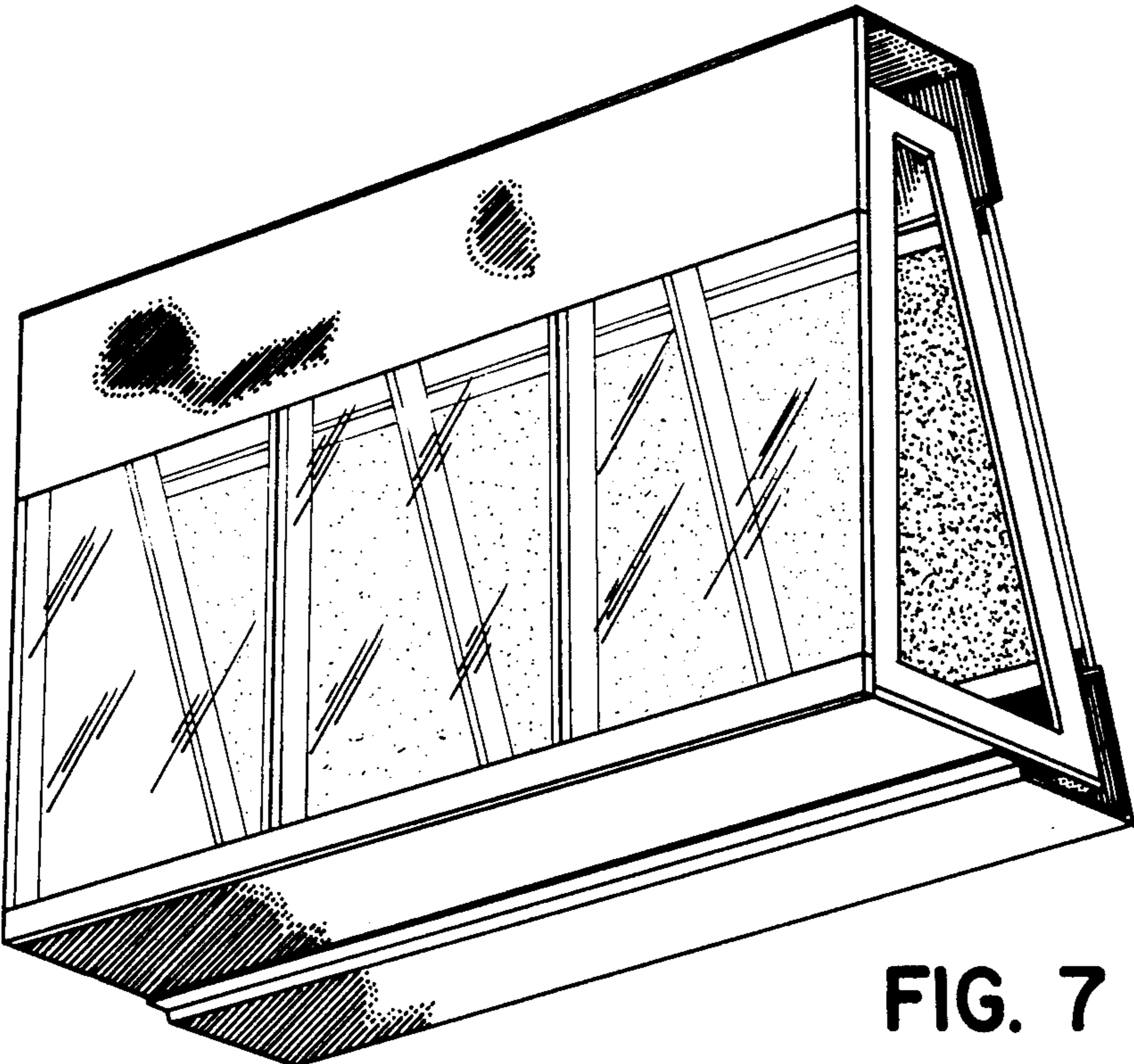


FIG. 7