

[54] **COMBINED WASH BASIN AND TOILET**
 [75] **Inventor: J. Les Campbell, Burlingame, Calif.**
 [73] **Assignee: Aluminum Plumbing Fixture Corp.**
 [**] **Term: 14 Years**
 [21] **Appl. No.: 827,118**
 [22] **Filed: Aug. 23, 1977**

[51] **Int. Cl. D23-02**
 [52] **U.S. Cl. D23/49**
 [58] **Field of Search D23/48-71;**
 4/3, 2, DIG. 15, 300, 166-169

[56] **References Cited**

U.S. PATENT DOCUMENTS

D. 219,341	12/1970	Jacoby et al.	D23/49
D. 233,149	10/1974	Campbell	D23/49
D. 238,075	12/1975	Harris	D23/59
D. 240,627	7/1976	Morris	D23/49
2,611,134	9/1952	Jarrett et al.	4/300
3,458,871	8/1969	DiValeerro	4/3

3,829,906 8/1974 McPhee 4/300
 4,030,145 6/1977 Rowan 4/166

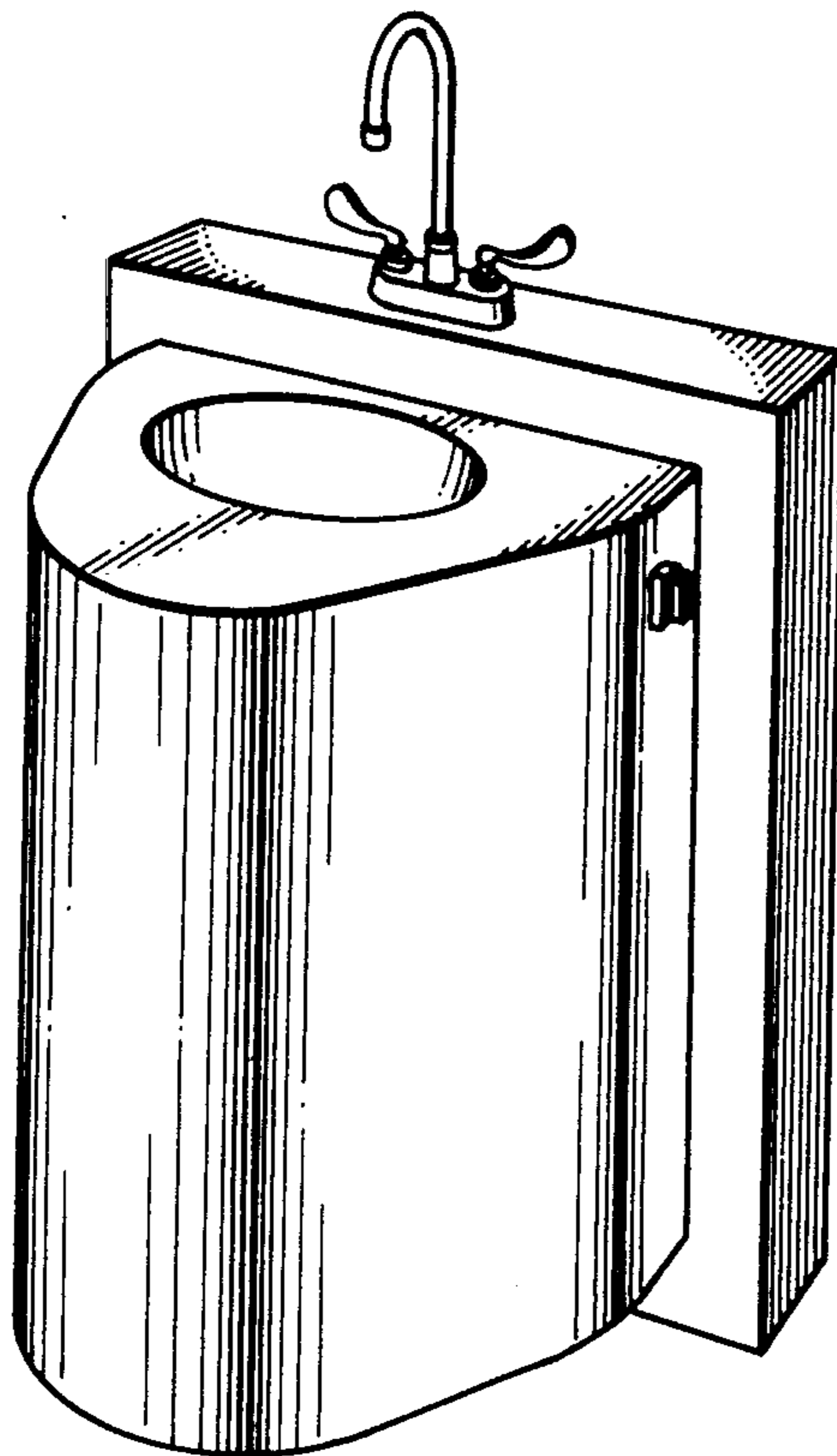
Primary Examiner—James R. Largen
Attorney, Agent, or Firm—Robert G. Slick

[57] **CLAIM**

The ornamental design for a combined wash basin and toilet, as shown.

DESCRIPTION

FIG. 1 is a perspective view taken from the top, front and right side of a combined wash basin and toilet showing my new design;
 FIG. 2 is a top plan view thereof;
 FIG. 3 is a front elevational view thereof;
 FIG. 4 is a right side elevational view thereof;
 FIG. 5 is a perspective view taken from the top, front and right side thereof showing the wash basin in its open position;
 FIG. 6 is a top plan view of FIG. 5;
 FIG. 7 is a front elevational view of FIG. 5; and
 FIG. 8 is a right side elevational view of FIG. 5.



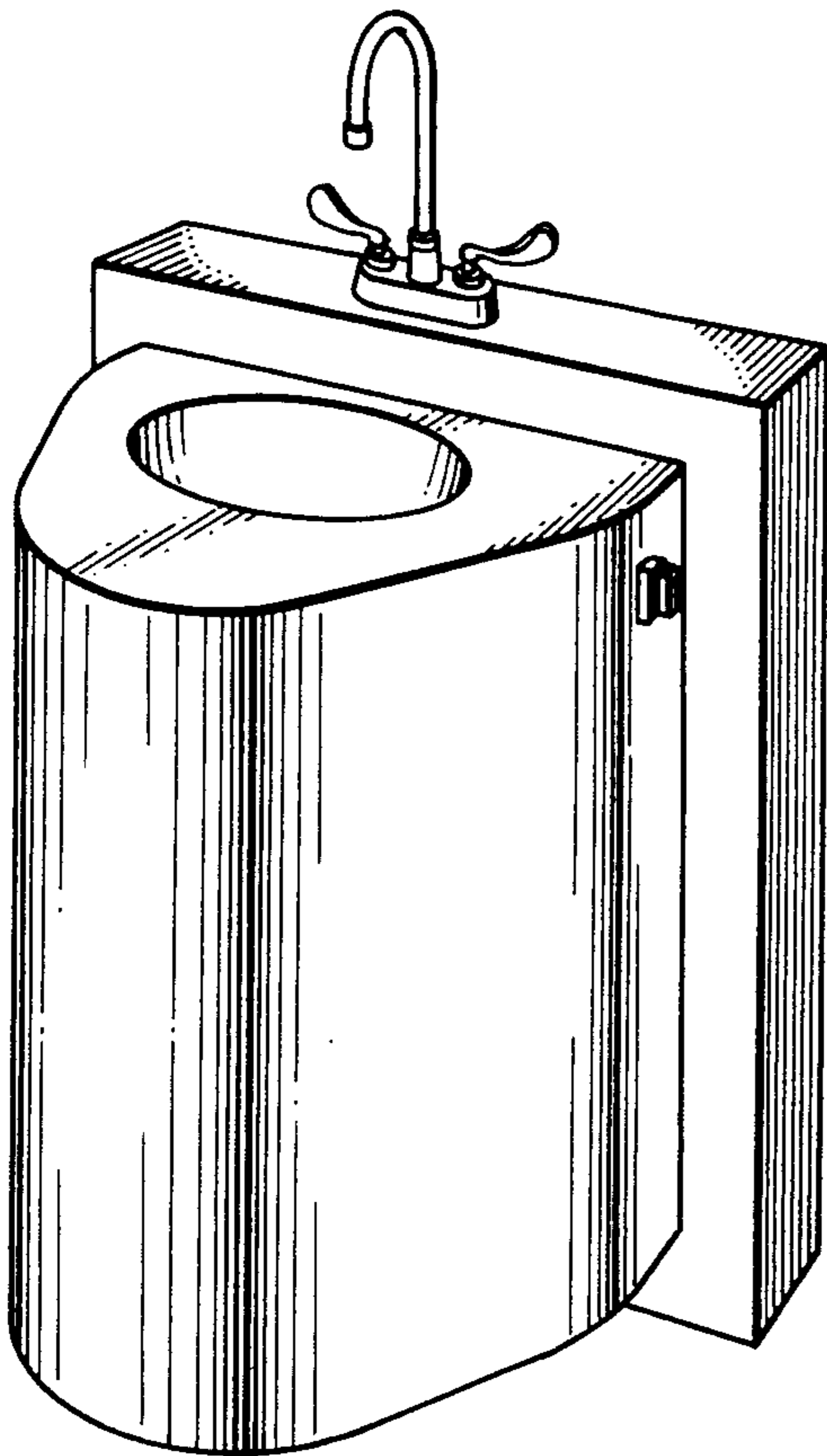


FIG. 1.

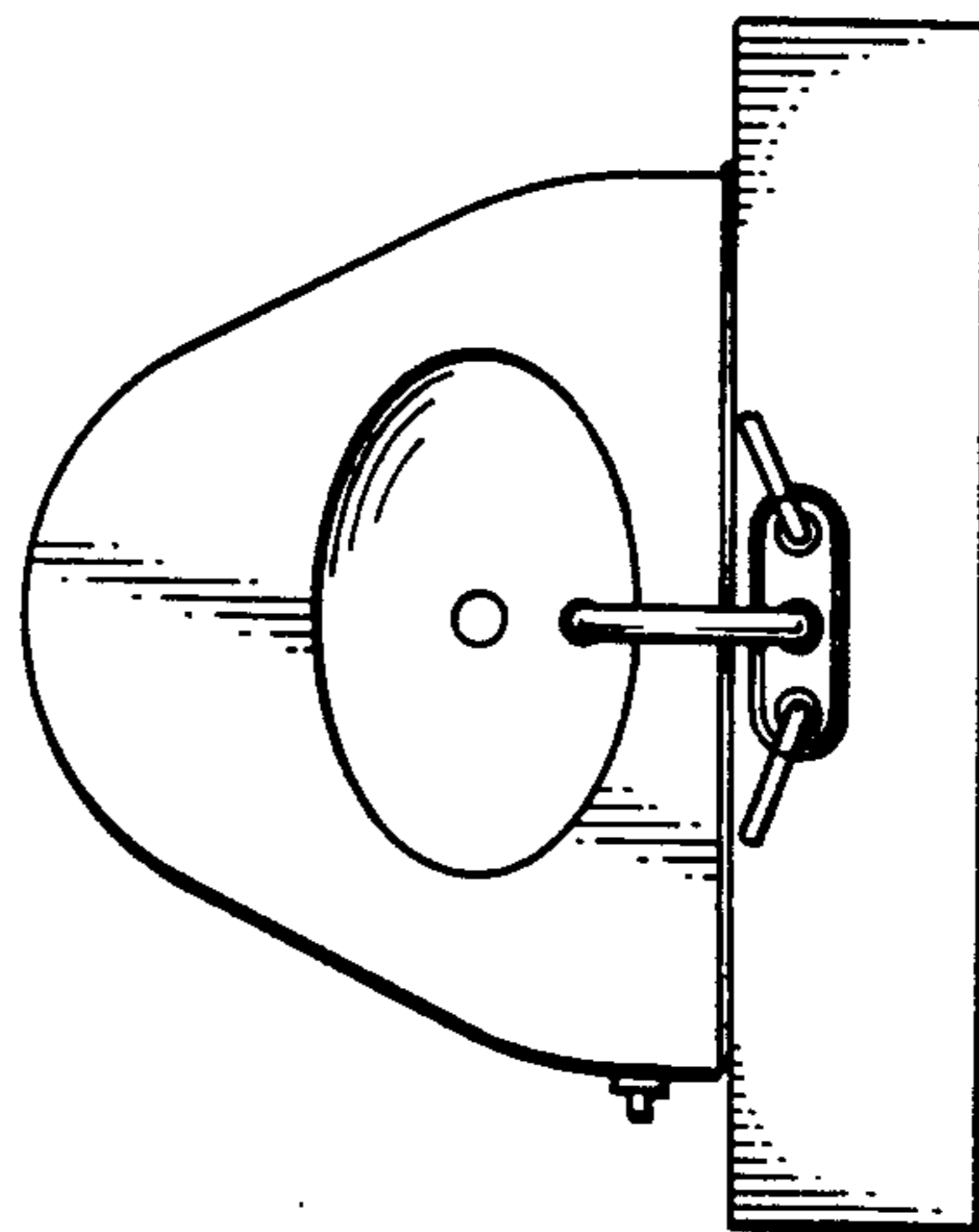


FIG. 2.

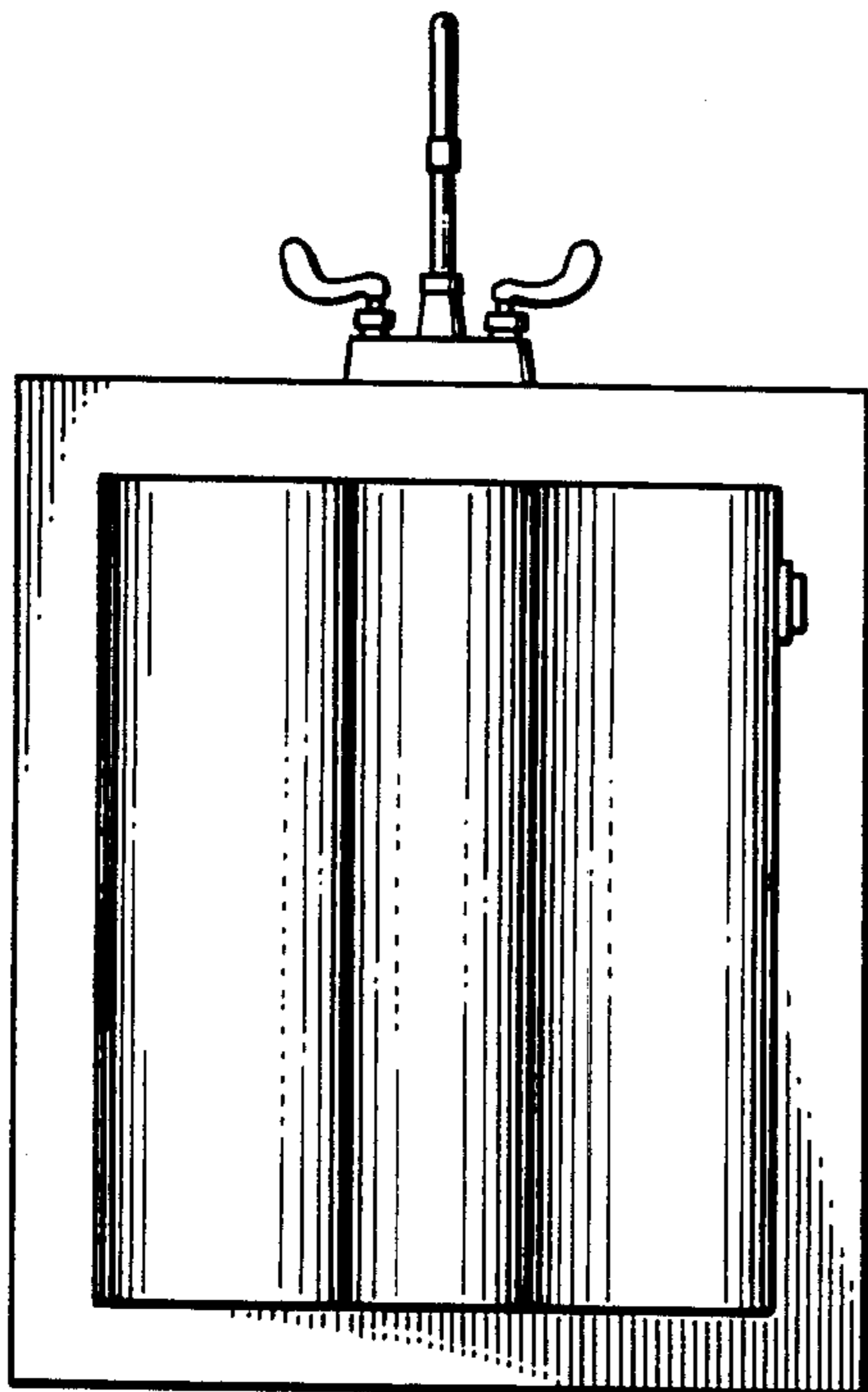


FIG. 3.

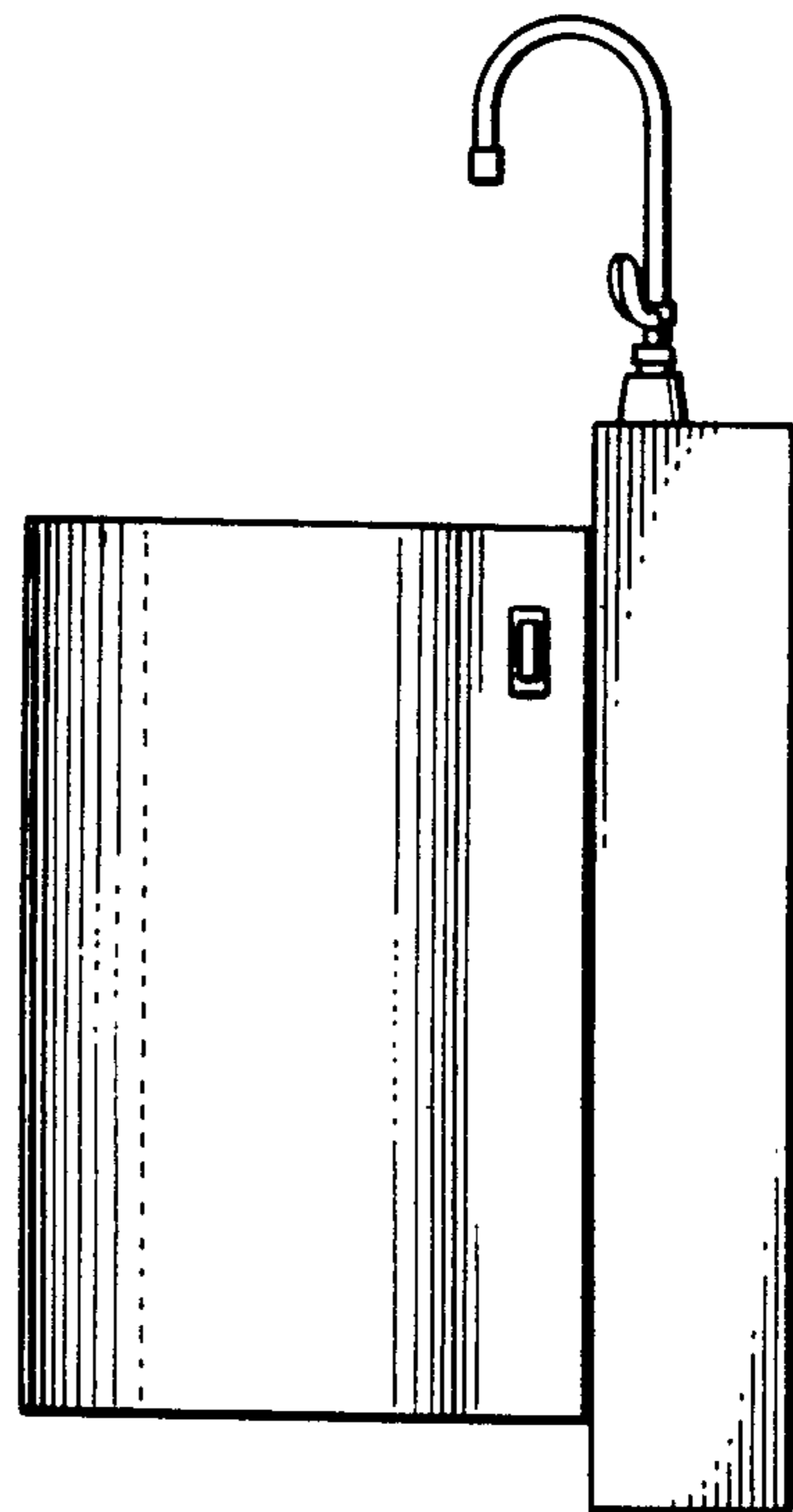


FIG. 4.

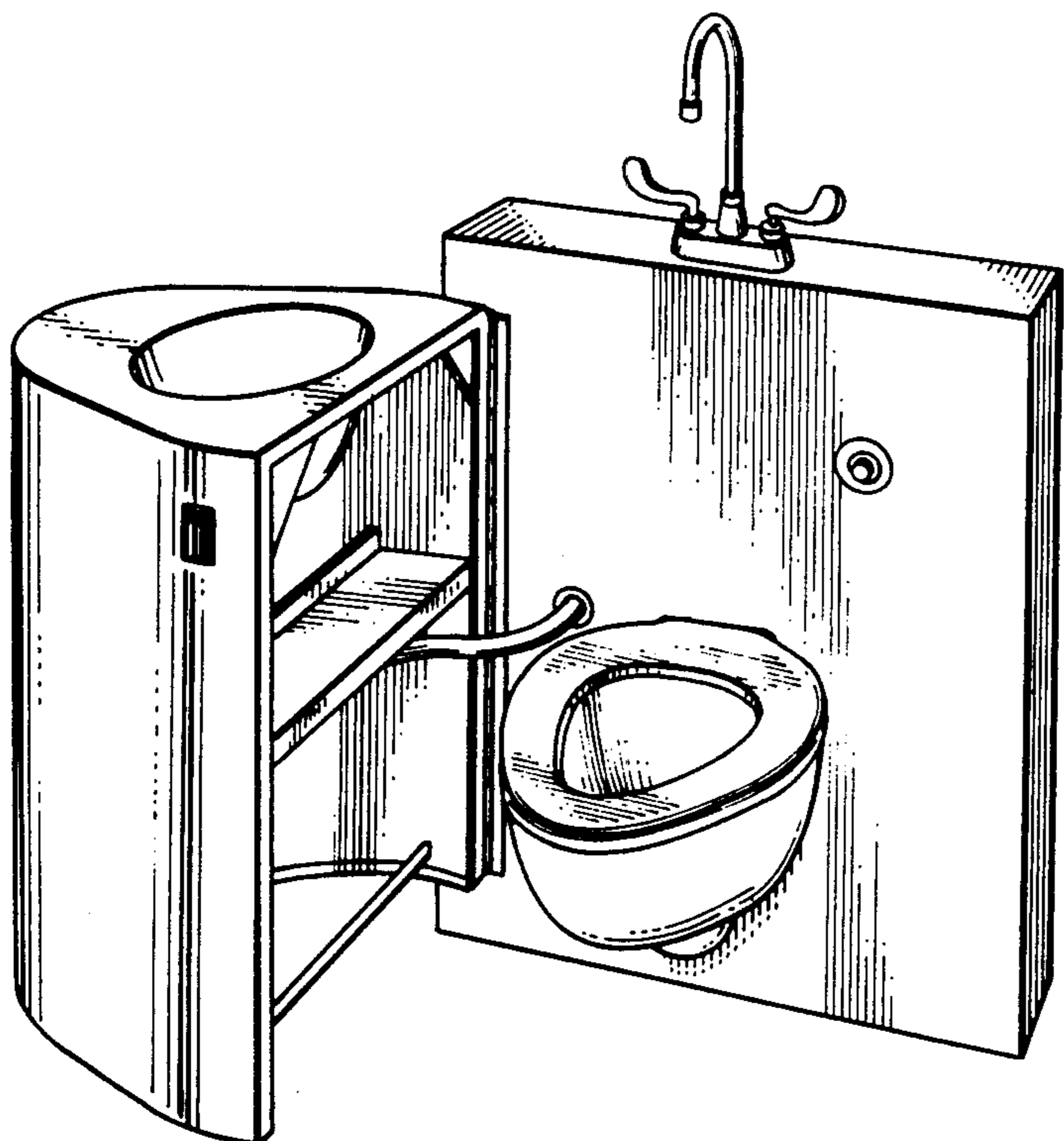


FIG. 5.

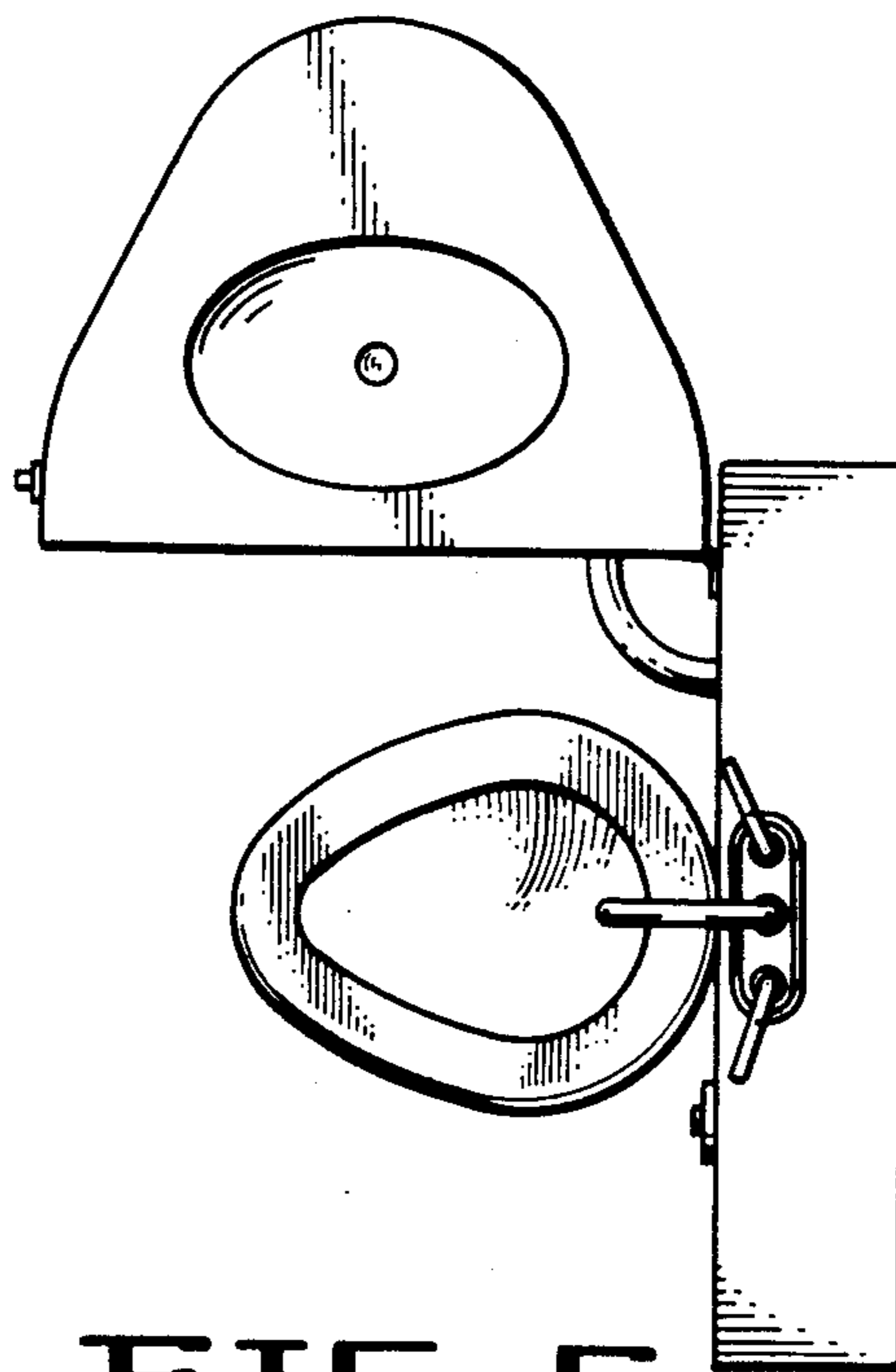


FIG. 6.

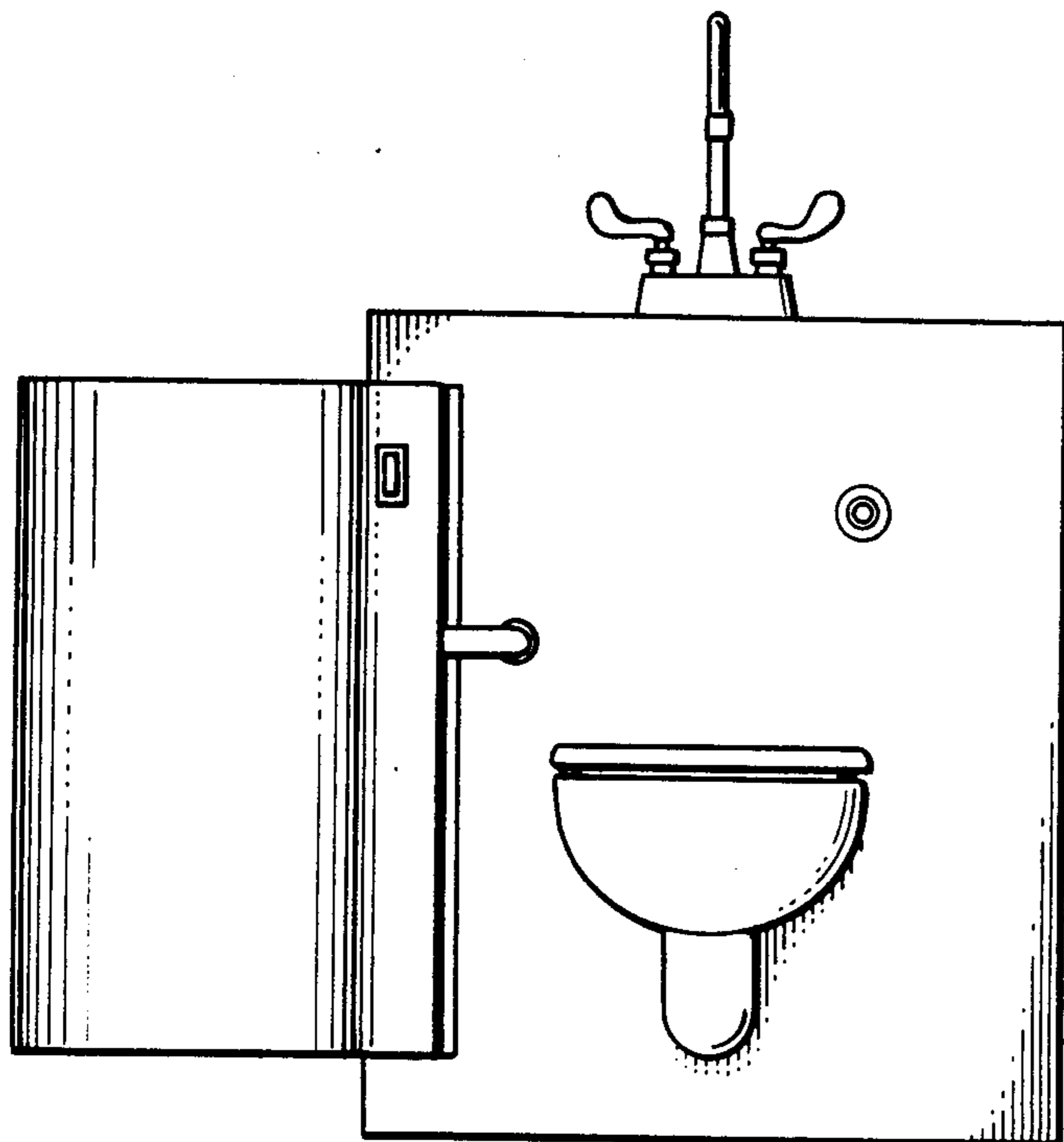


FIG. 7.

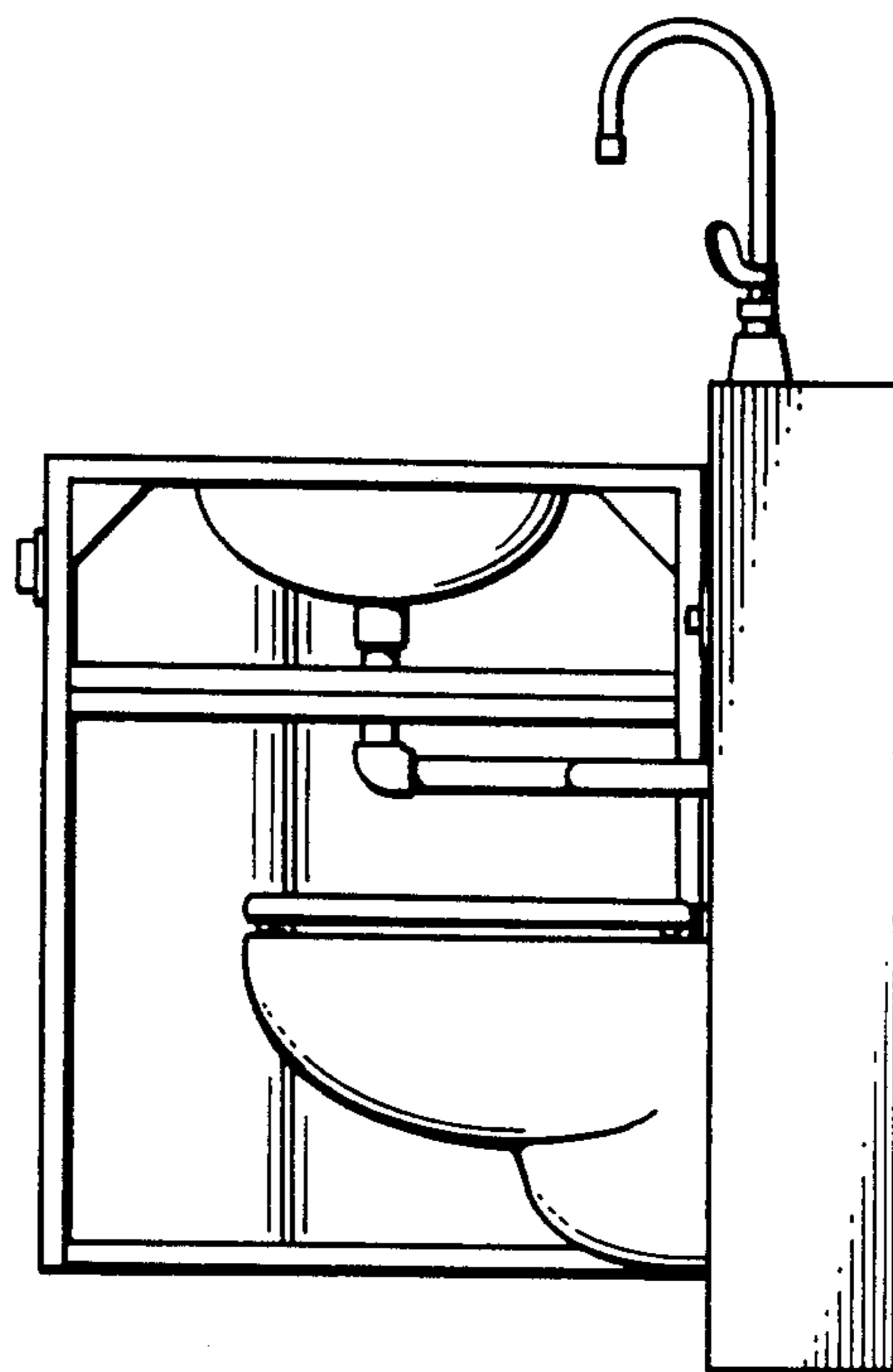


FIG. 8.