

[54] **SPRINKLER HEAD PROTECTOR OR SIMILAR ARTICLE**

[76] **Inventor: Harry G. Bergland, 3812 Floral Dr., North Highlands, Calif. 95660**

[**] **Term: 14 Years**

[21] **Appl. No.: 670,241**

[22] **Filed: Mar. 25, 1976**

[51] **Int. Cl. D23—01**

[52] **U.S. Cl. D23/7**

[58] **Field of Search D23/6-13; 239/201, 288.5**

[56] **References Cited**

U.S. PATENT DOCUMENTS

D. 212,091	8/1968	Cloud	D23/7
D. 217,767	6/1970	Harness	D23/7
D. 222,674	11/1971	Engel	D23/7
2,733,100	1/1956	Simonsen	239/201 X

3,018,057	1/1962	Anderson	239/201
3,131,867	5/1964	Miller et al.	239/201 X
3,265,310	8/1966	Cohen	239/201
3,408,006	10/1968	Stanwood	239/201 X
3,662,956	5/1972	Hedman	239/288.5

Primary Examiner—James R. Largen
Attorney, Agent, or Firm—Mark C. Jacobs

[57] **CLAIM**

The ornamental design for a sprinkler head protector or similar article, substantially as shown and described.

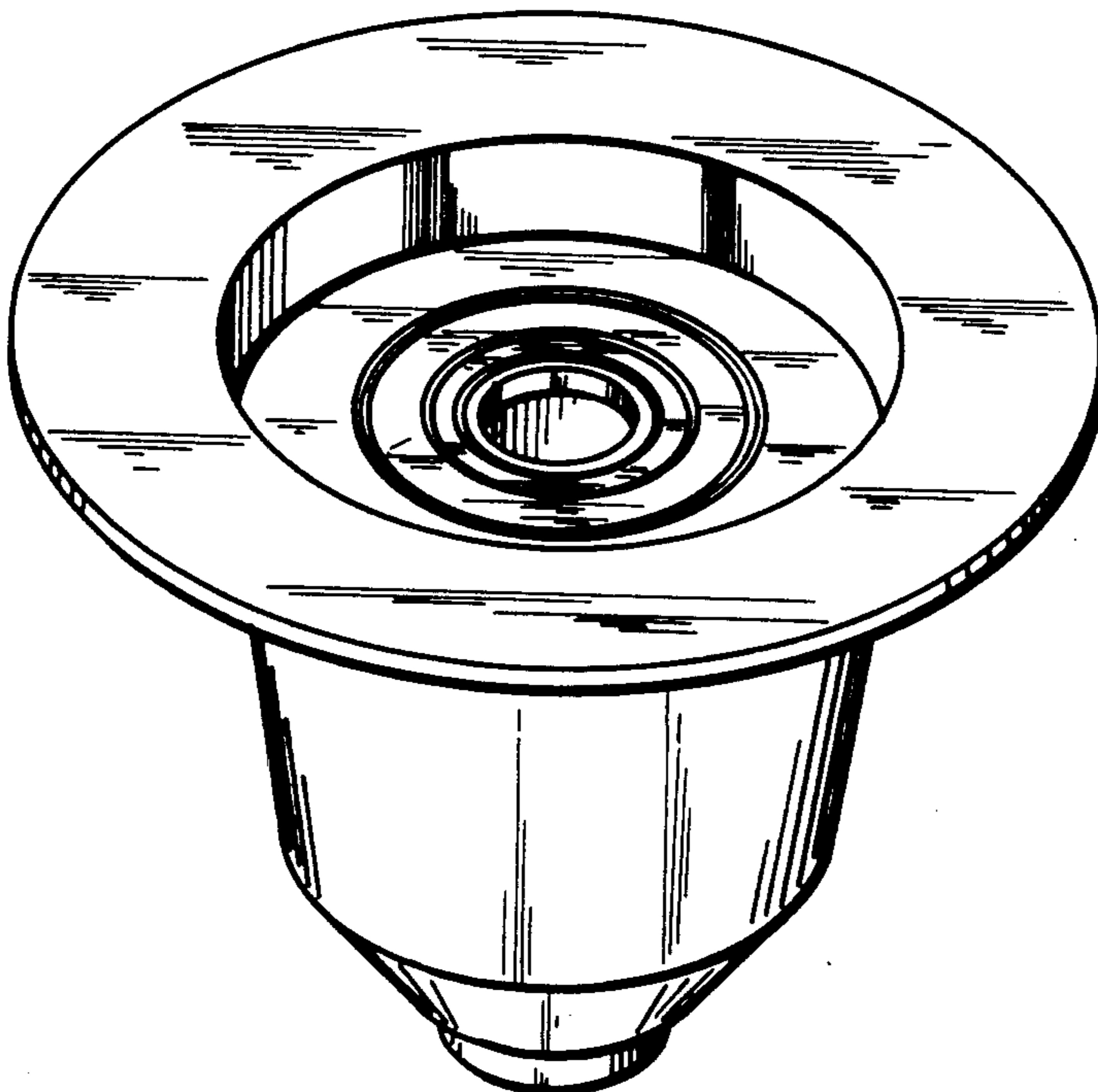
DESCRIPTION

FIG. 1 is a perspective view of a sprinkler head protector showing my new design.

FIG. 2 is a fragmentary perspective view thereof.

FIG. 3 is a cross sectional view taken on line 3—3 of FIG. 1.

The broken line representation of a sprinkler head and the ground in FIG. 3 are for purposes of illustration only.



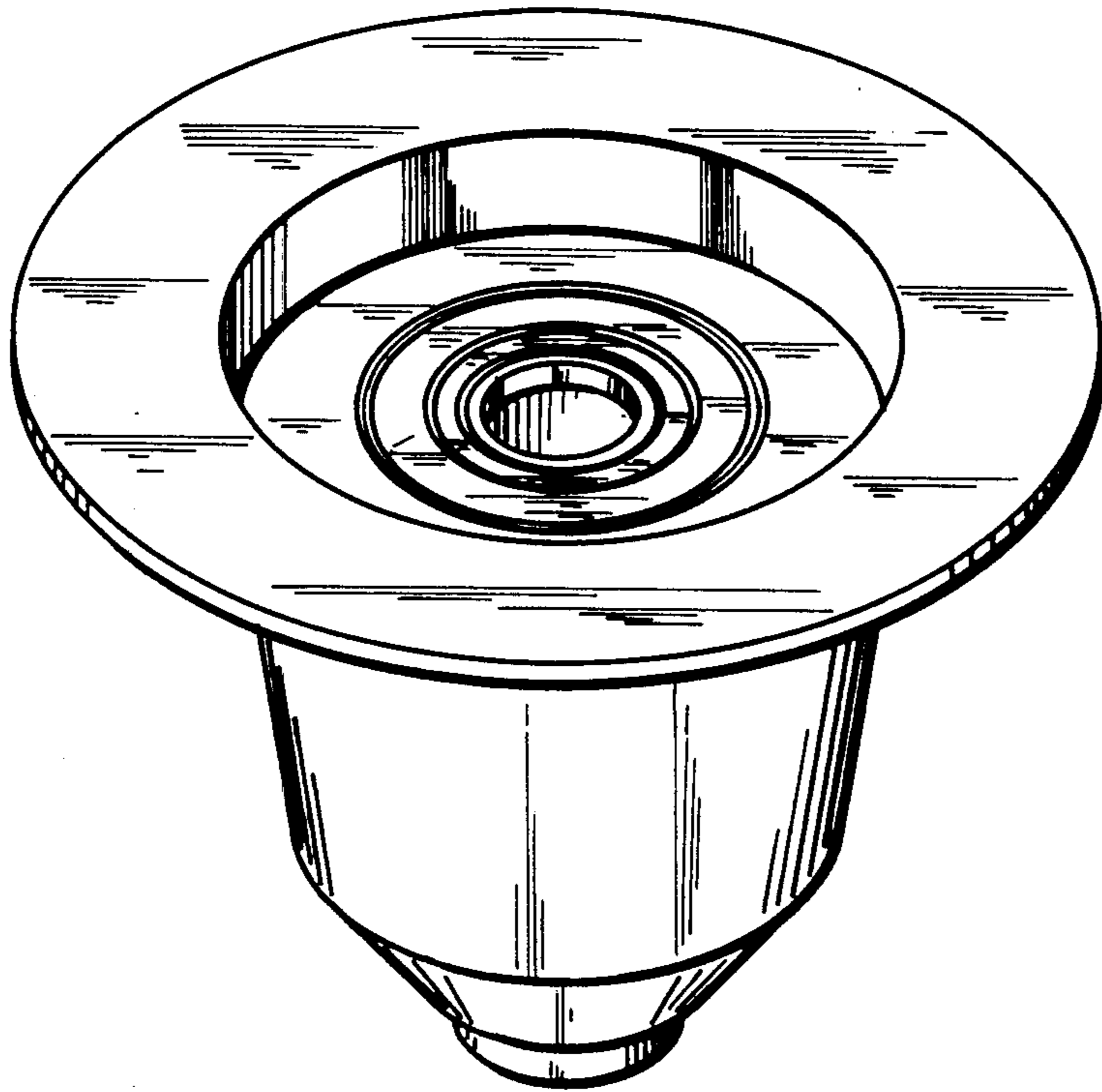


FIG 1

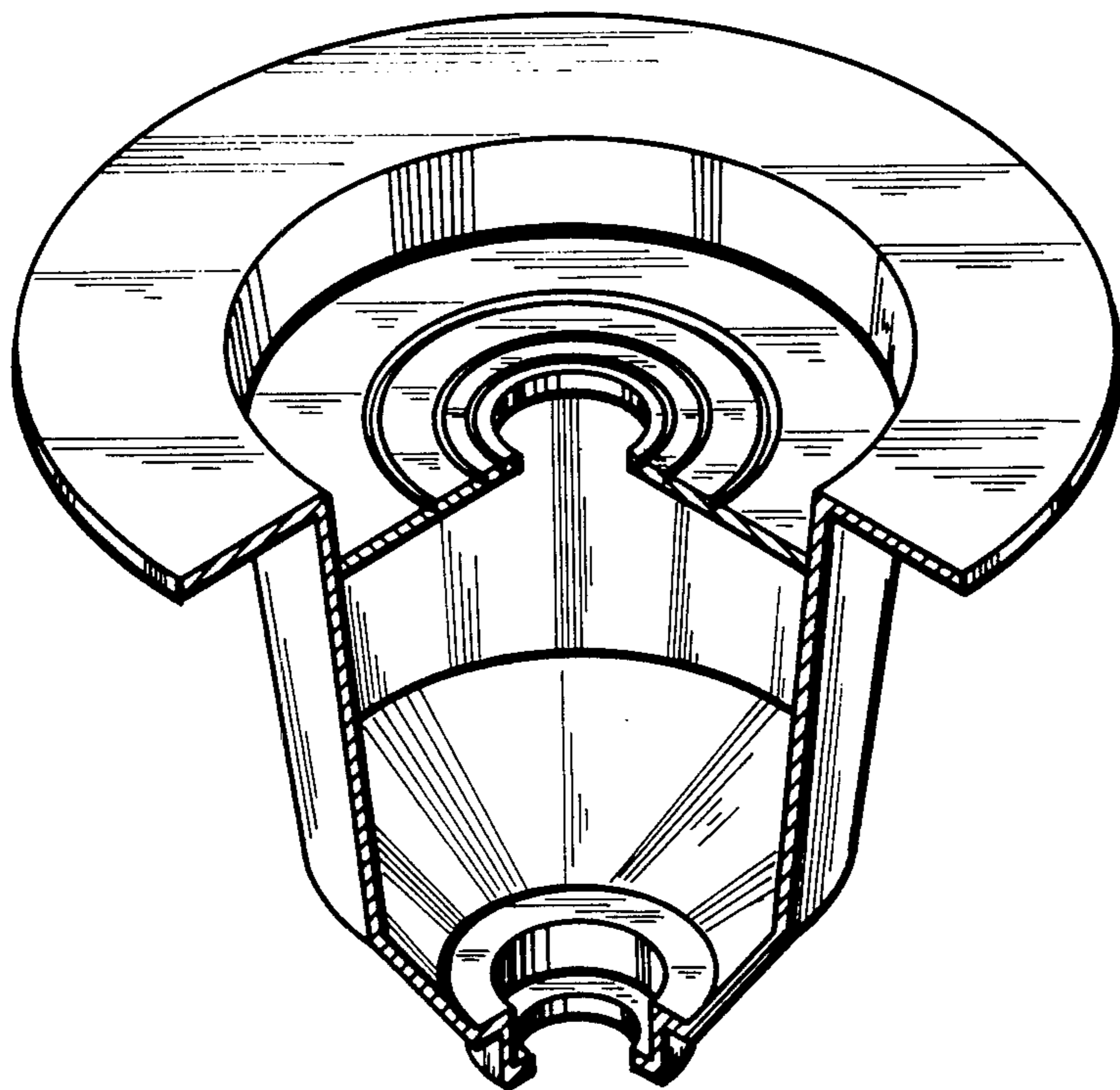


FIG. 2

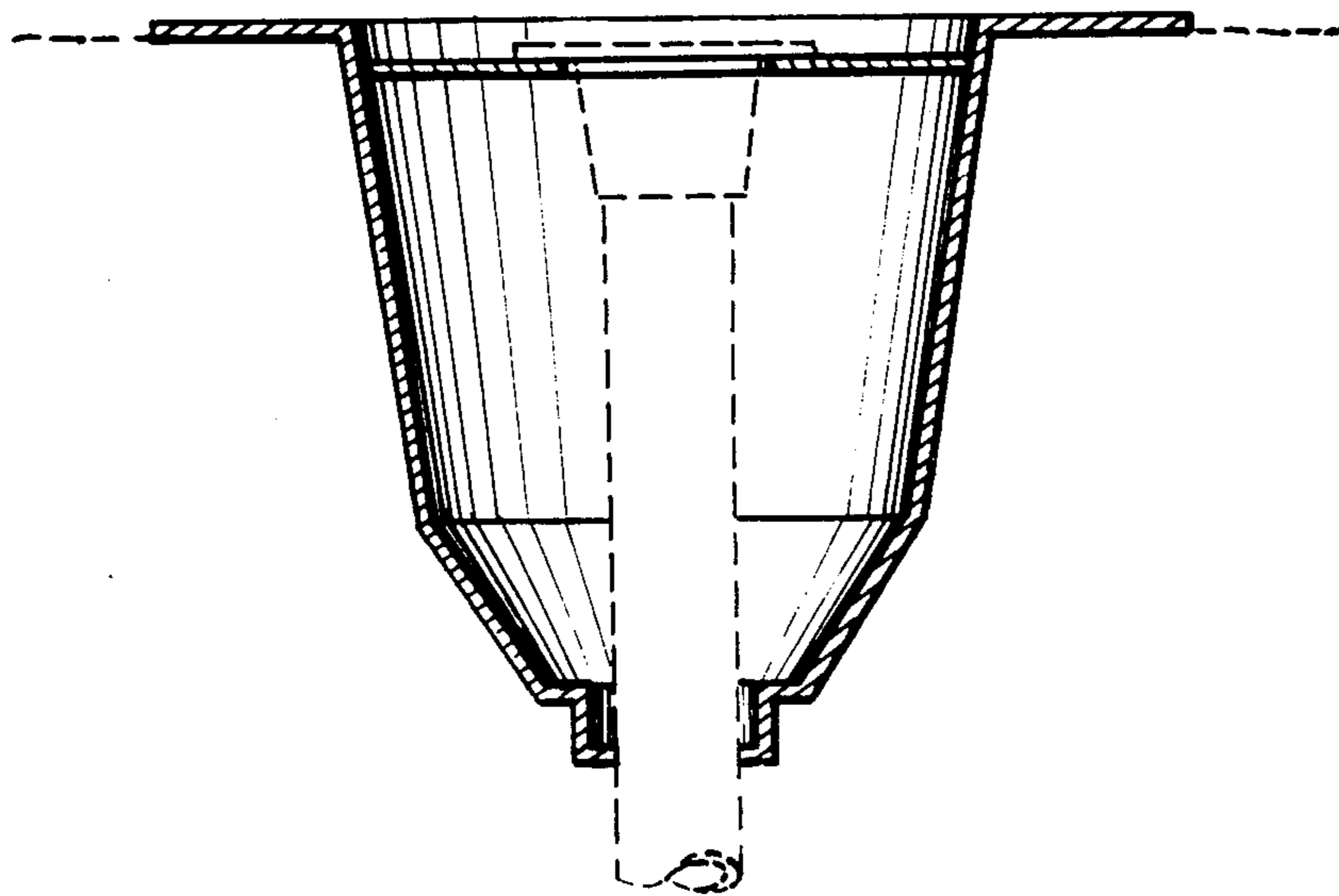


FIG 3