

[54] MOBILE CRANE

[75] Inventors: **Raymond J. Wacht; Ram N. Rathi; David B. Gamble**, all of Cedar Rapids, Iowa

[73] Assignee: **Harnischfeger Corporation**

[**] Term: **14 Years**

[21] Appl. No.: **868,879**

[22] Filed: **Jan. 12, 1978**

[51] Int. Cl. **D12-05**

[52] U.S. Cl. **D12/57**

[58] Field of Search **D12/57; 212/38, 35, 212/59, 145**

[56] **References Cited**

U.S. PATENT DOCUMENTS

D. 218,412 8/1970 Lowe D12/57
3,958,813 5/1976 Carey 212/145

OTHER PUBLICATIONS

Construction Methods & Equipment, 3/77, p. 76, Crane, bottom of page.

Construction Methods & Equipment, 7/76, p. 87, Crane, center of page.

Construction Methods & Equipment, 10/76, p. 85, Crane, center of page.

Construction Methods & Equipment, 1/76, p. 19, Crane.

Primary Examiner—James M. Gandy
Attorney, Agent, or Firm—James E. Nilles

[57] **CLAIM**

The ornamental design for a mobile crane, substantially as shown.

DESCRIPTION

FIG. 1 is a left side perspective view of a mobile crane showing our new design;

FIG. 2 is a right, front perspective view thereof;

FIG. 3 is a left, front perspective view thereof;

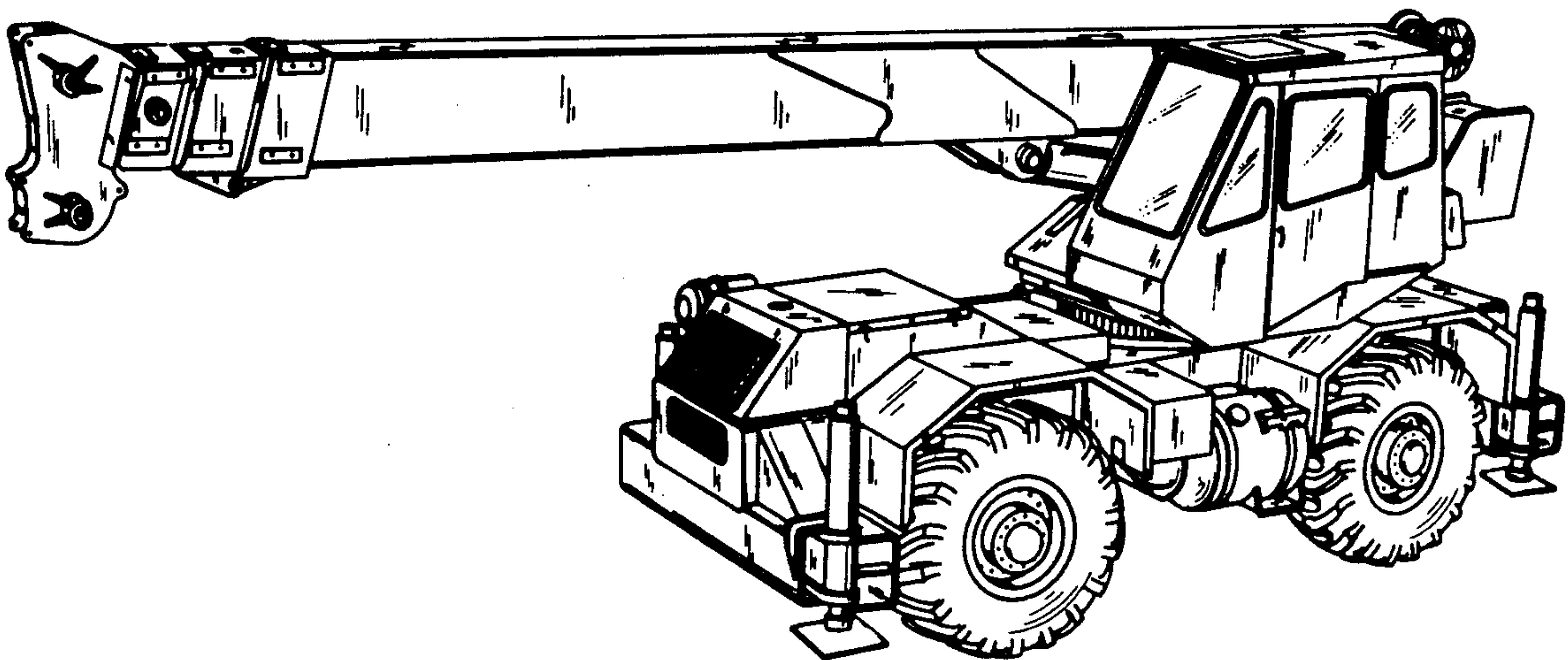
FIG. 4 is a left side elevational view thereof on a reduced scale;

FIG. 5 is a top plan view thereof on a reduced scale;

FIG. 6 is a front elevational view thereof on a reduced scale;

FIG. 7 is a rear elevational view thereof on a reduced scale; and

FIG. 8 is a right side elevational view thereof on a reduced scale.



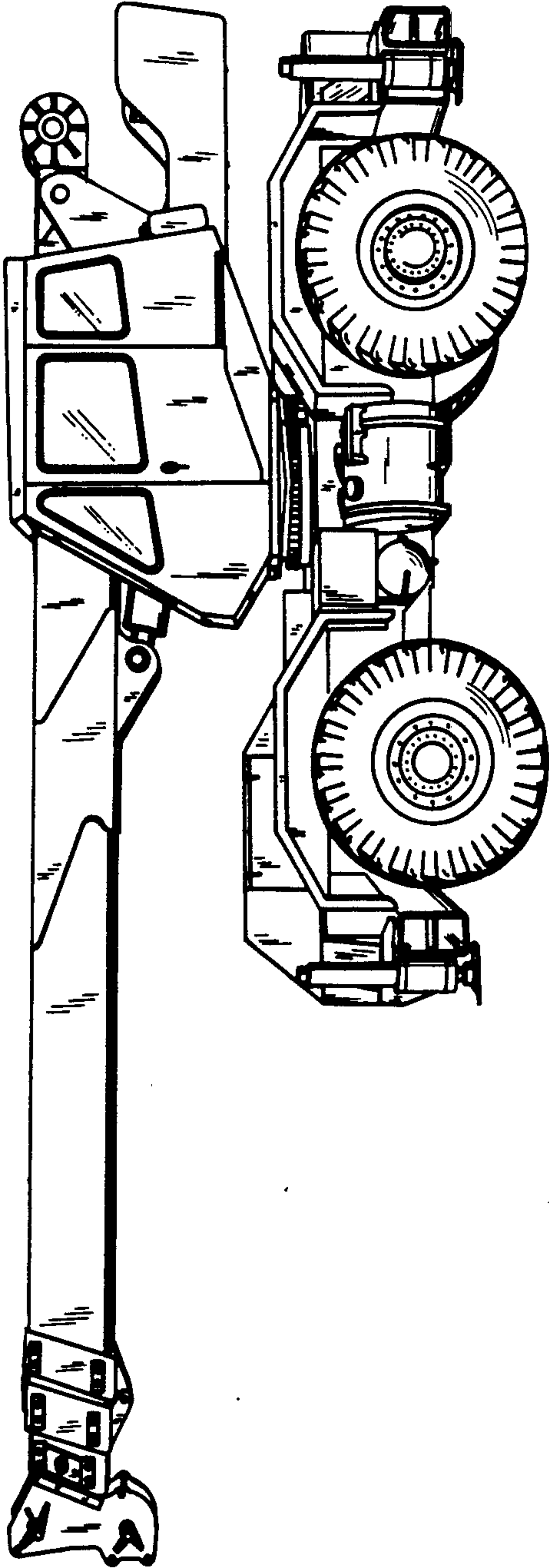


FIG. 1

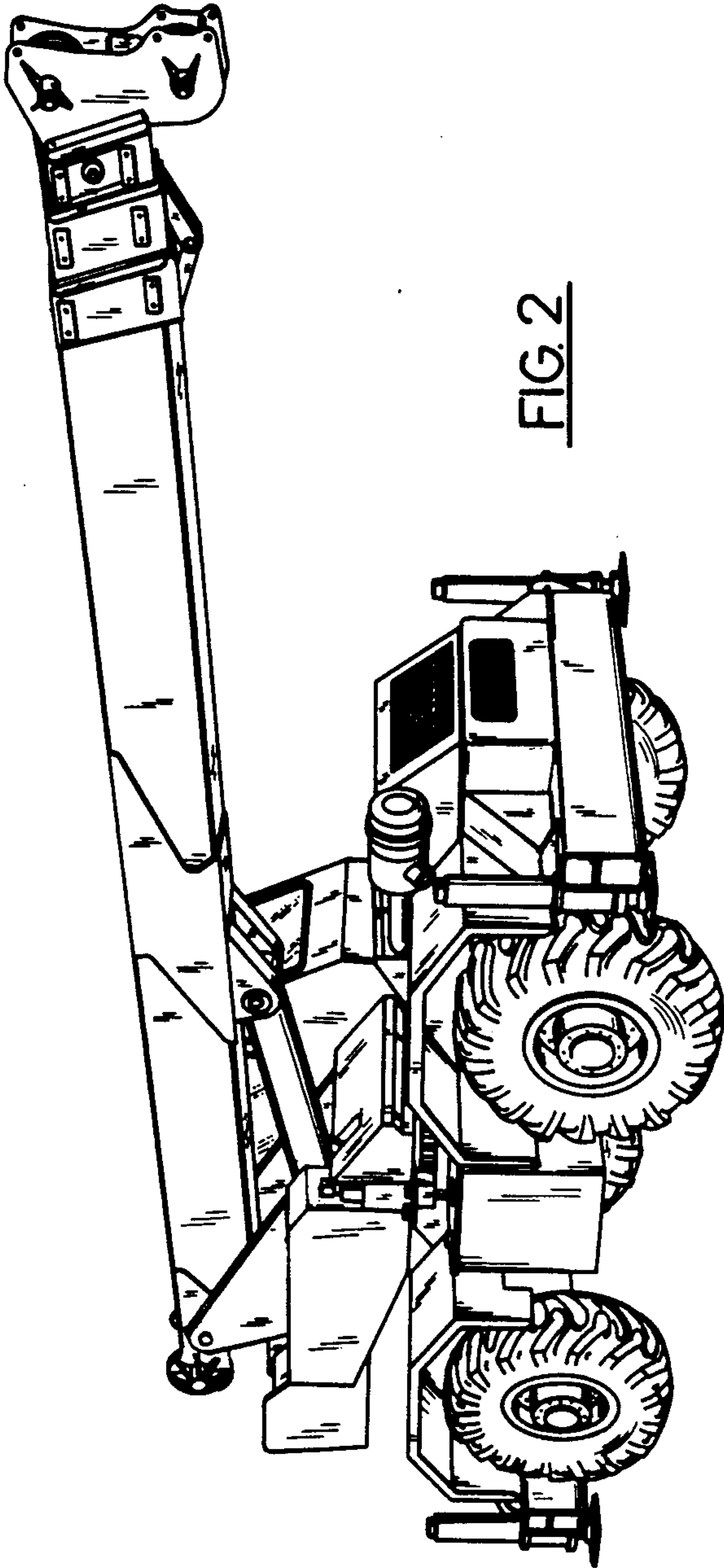


FIG. 2

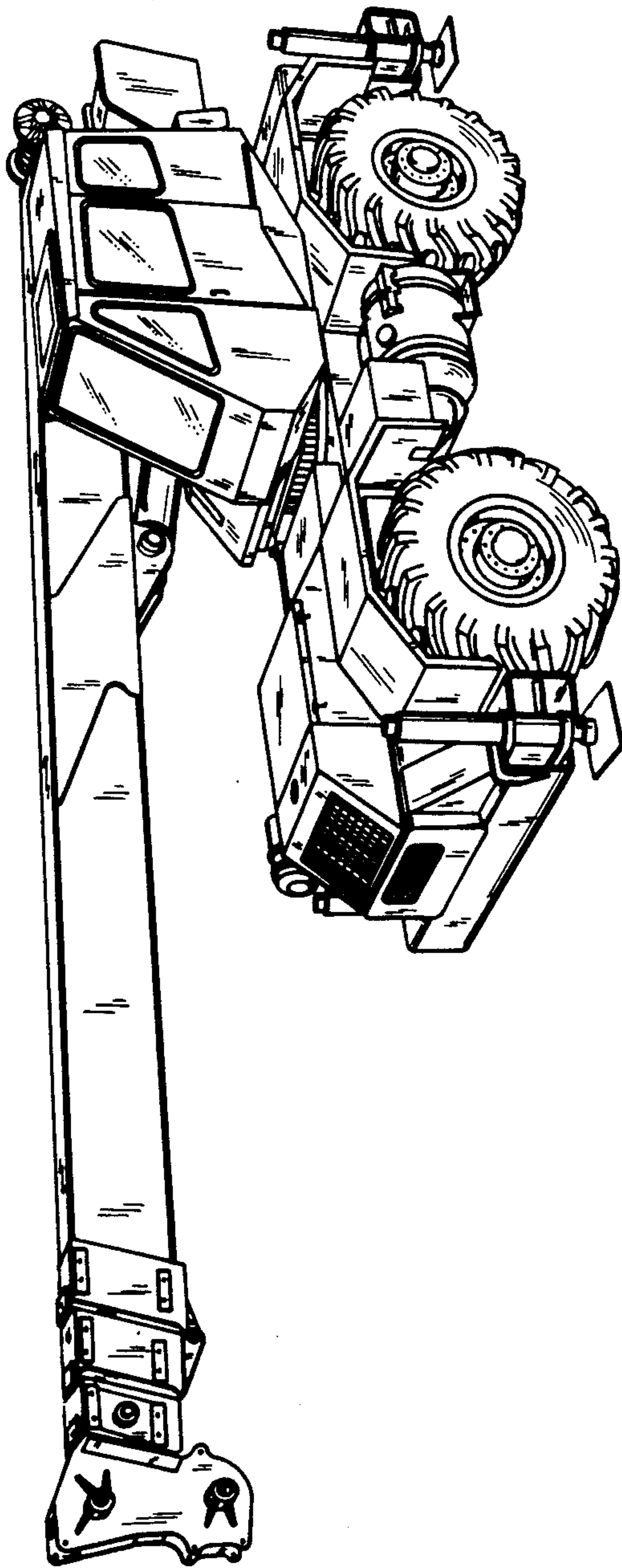


FIG. 3

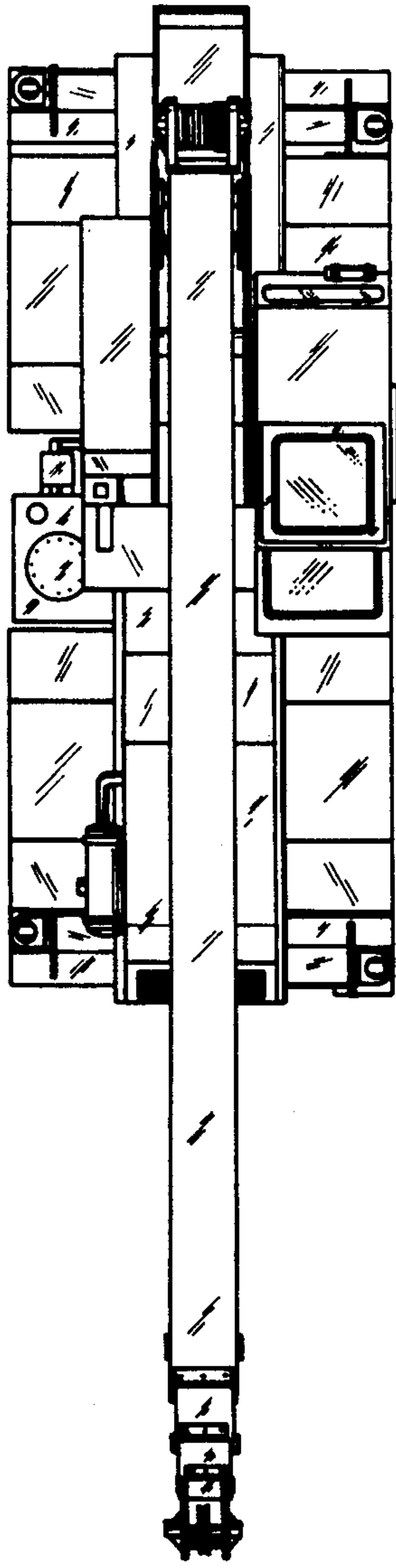


FIG. 5

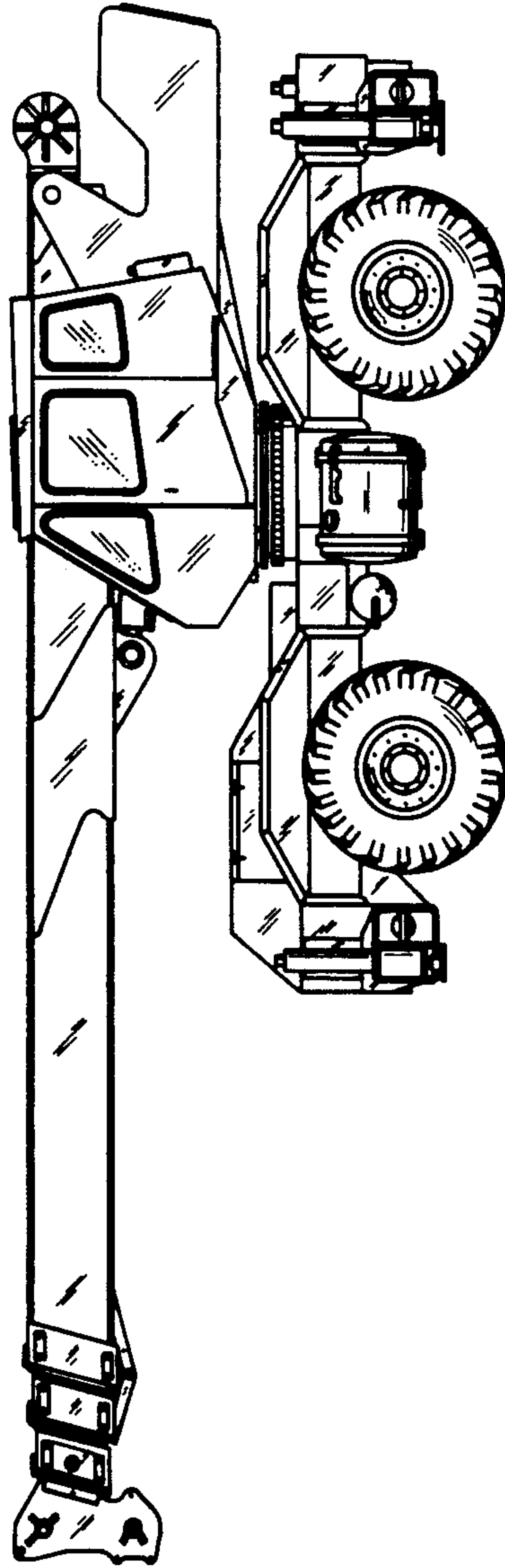


FIG. 4

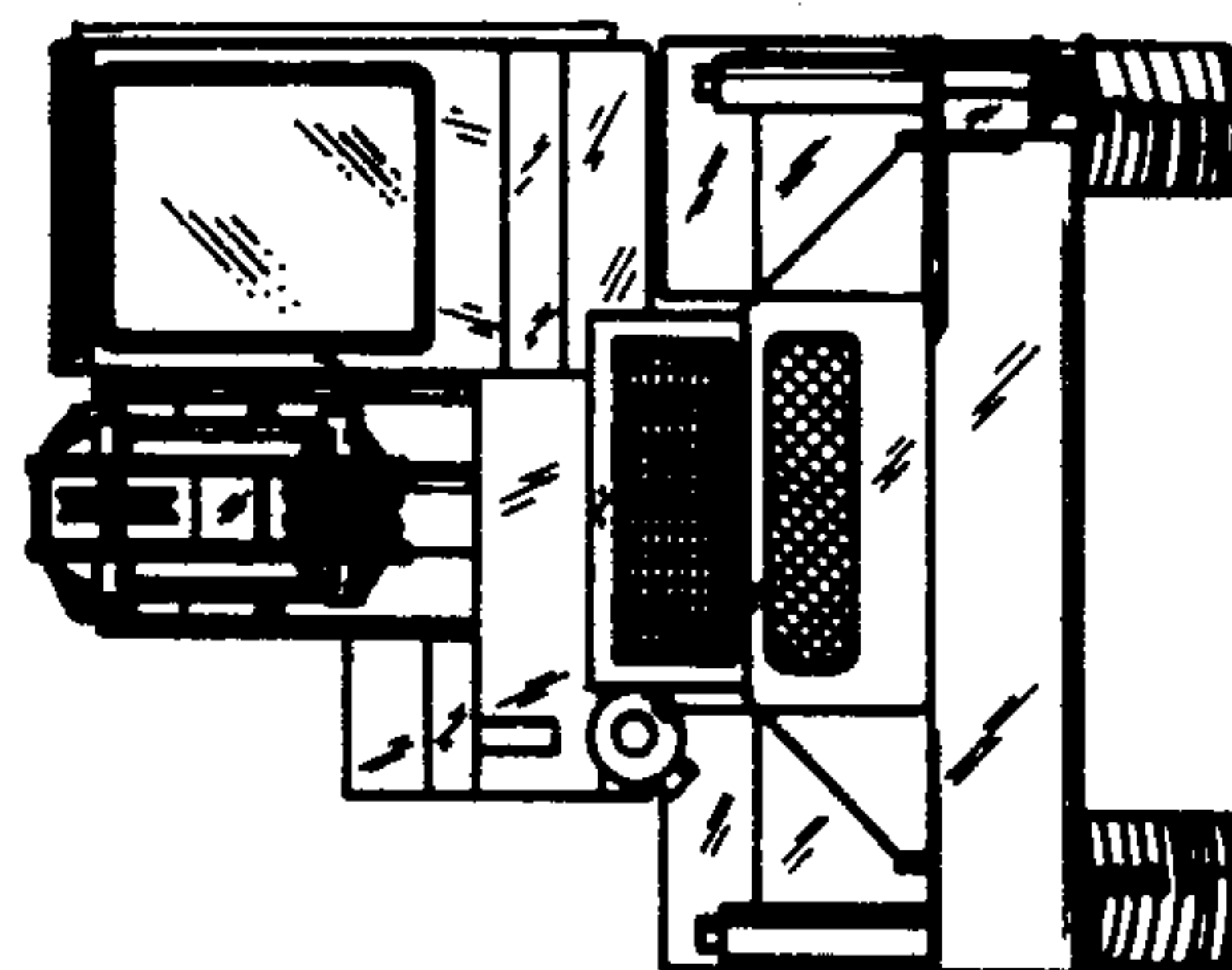


FIG. 6

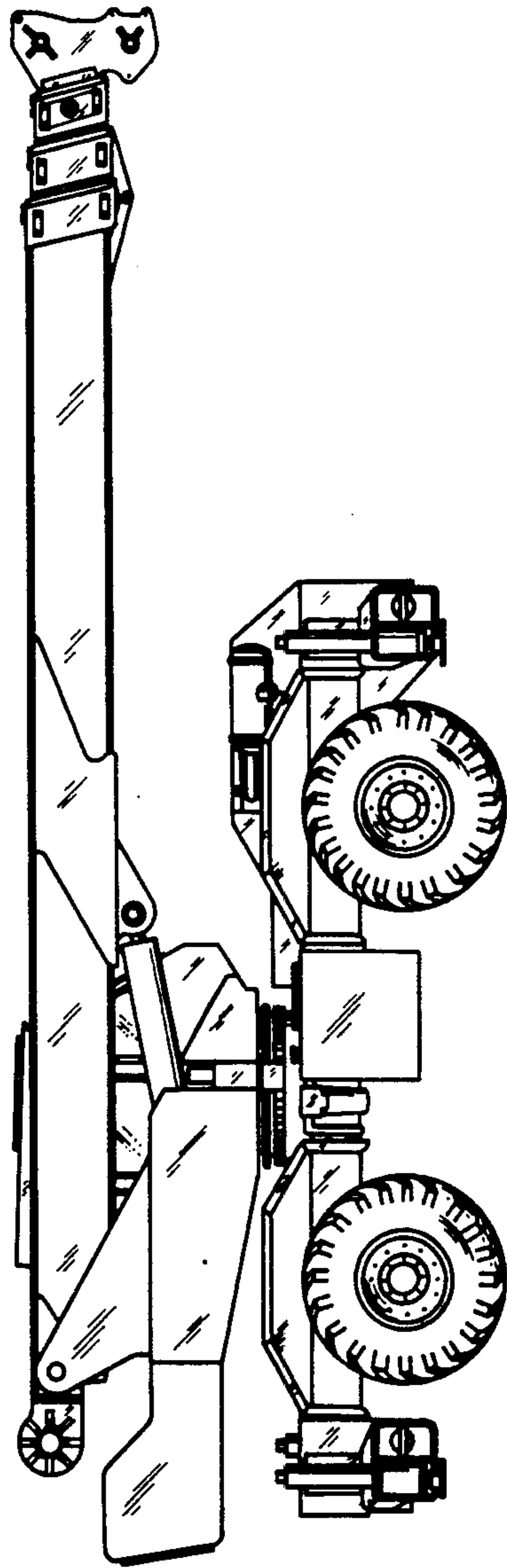


FIG. 8

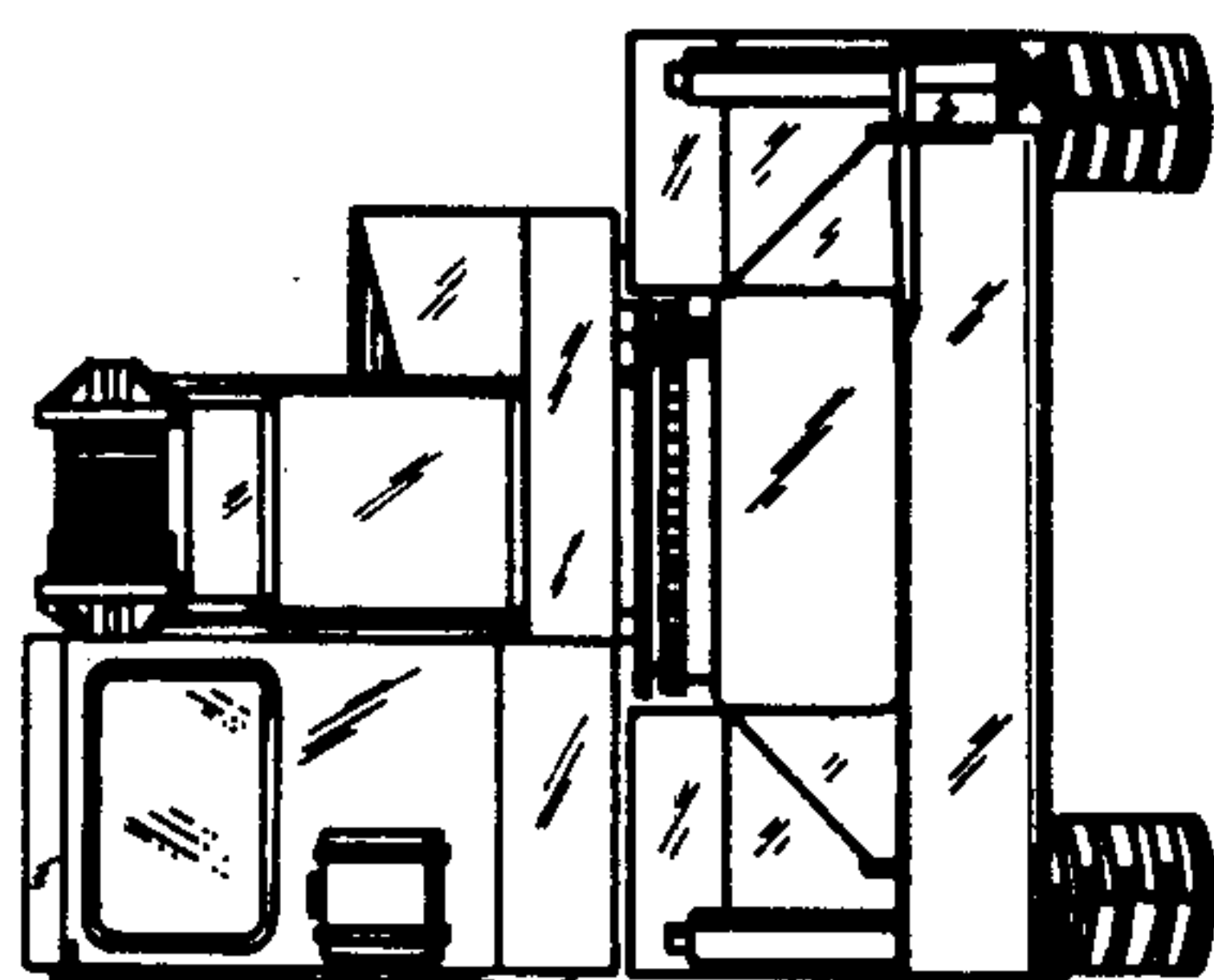


FIG. 7